

Features

- 8-Bit Multiplexed Addresses/Outputs
- Fast Read Access Time - 70 ns
- Low Power CMOS Operation
 - 20 mA max. Active at 5 MHz
- 20-Lead TSSOP Package
- 20-Lead SOIC Package
- 5V ± 10% Supply
- High Reliability CMOS Technology
 - 2,000V ESD Protection
 - 200 mA Latchup Immunity
- Rapid™ Programming Algorithm - 50 µs/byte (typical)
- CMOS and TTL Compatible Inputs and Outputs
- Integrated Product Identification Code
- Commercial and Industrial Temperature Range

Description

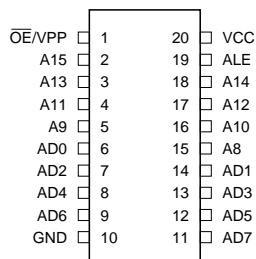
The AT27C520 is a low-power, high performance 524,288 bit one-time programmable read only memory (OTP EPROM) organized 64K by 8 bits. It incorporates latches for the 8 lower order address bits to multiplex with the 8 data bits. This minimizes system chip count, reduces cost, and simplifies the design of multiplexed bus systems. It requires only one 5V power supply in normal read mode operation. Any byte can be accessed in less than 70 ns, eliminating the need for speed reducing WAIT states on high performance microprocessor systems.

Atmel's scaled CMOS technology provides high speed, lower active power consumption, and significantly faster programming. Power consumption is typically only 8 mA in Active Mode. *(continued)*

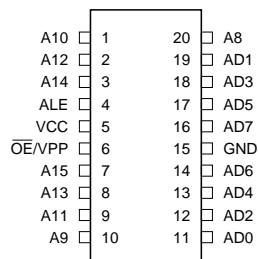
Pin Configurations

Pin Name	Function
A8 - A15	Addresses
AD0 - AD7	Addresses/Outputs
\overline{OE} /VPP	Output Enable/Program Supply
ALE	Address Latch Enable

SOIC Top View



TSSOP Top View



**512K (64K x 8)
Multiplexed
Addresses/
Outputs
OTP EPROM**

AT27C520



The AT27C520 is available in 173 mil, 20-pin TSSOP; 300 mil and, 20-pin SOIC; one-time programmable (OTP) plastic packages.

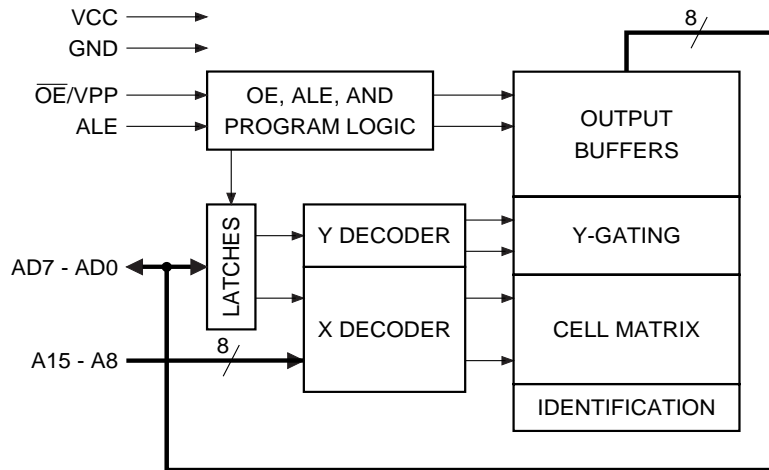
With 64K byte storage capability, the AT27C520 allows firmware to be stored reliably and to be accessed by the system without the delays of mass storage media.

Atmel's 27C520 has additional features to ensure high quality and efficient production use. The Rapid™ Programming Algorithm reduces the time required to program the part and guarantees reliable programming. Programming time is typically only 50 μs/byte. The Integrated Product Identification Code electronically identifies the device and manufacturer. This feature is used by industry standard programming equipment to select the proper programming algorithms and voltages.

System Considerations

Switching under active conditions may produce transient voltage excursions. Unless accommodated by the system design, these transients may exceed data sheet limits, resulting in device non-conformance. At a minimum, a 0.1 μF high frequency, low inherent inductance, ceramic capacitor should be utilized for each device. This capacitor should be connected between the V_{CC} and Ground terminals of the device, as close to the device as possible. Additionally, to stabilize the supply voltage level on printed circuit boards with large EPROM arrays, a 4.7 μF bulk electrolytic capacitor should be utilized, again connected between the V_{CC} and Ground terminals. This capacitor should be positioned as close as possible to the point where the power supply is connected to the array.

Block Diagram



Absolute Maximum Ratings*

Temperature Under Bias	-55°C to +125°C
Storage Temperature	-65°C to +150°C
Voltage on Any Pin with Respect to Ground	-2.0V to +7.0V ⁽¹⁾
Voltage on A9 with Respect to Ground	-2.0V to +14.0V ⁽¹⁾
V _{PP} Supply Voltage with Respect to Ground	-2.0V to +14.0V ⁽¹⁾

***NOTICE:** Stresses beyond those listed under “Absolute Maximum Ratings” may cause permanent damage to the device. This is a stress rating only and functional operation of the device at these or any other conditions beyond those indicated in the operational sections of this specification is not implied. Exposure to absolute maximum rating conditions for extended periods may affect device reliability.

Note: 1. Minimum voltage is -0.6V DC which may undershoot to -2.0V for pulses of less than 20 ns. Maximum output pin voltage is V_{CC} + 0.75V DC which may overshoot to +7.0V for pulses of less than 20 ns.

Operating Modes

Mode/Pin	ALE	\overline{OE}/V_{PP}	A8 - A15	AD0 - AD7
Read	V _{IL}	V _{IL}	Ai	D _{OUT}
Output Disable	V _{IL} /V _{IH}	V _{IH}	X ⁽¹⁾	High Z/A0 - A7
Address Latch Enable	V _{IH}	V _{IH}	X	A0 - A7
Rapid Program ⁽²⁾	V _{IH}	V _{PP}	Ai	D _{IN}
Product Identification ⁽³⁾	V _{IL}	V _{IL}	A9 = V _H ⁽⁴⁾ A8 = V _{IH} or V _{IL} A10 - A15 = V _{IL}	Identification Code

- Notes:
1. X can be V_{IL} or V_{IH}.
 2. Refer to Programming Characteristics.
 3. V_H = 12.0 ± 0.5V.
 4. Two identifier bytes may be selected. All A8 - A15 inputs are held low (V_{IL}), except A9 which is set to V_H and A8 which is toggled low (V_{IL}) to select the Manufacturer's Identification byte and high (V_{IH}) to select the Device Code byte.



DC and AC Operating Conditions for Read Operation

		AT27C520-70	AT27C520-90
Operating Temperature (Case)	Com.	0°C - 70°C	0°C - 70°C
	Ind.	-40°C - 85°C	-40°C - 85°C
V _{CC} Supply		5V ± 10%	5V ± 10%

DC and Operating Characteristics for Read Operation

Symbol	Parameter	Condition	Min	Max	Units
I _{LI}	Input Load Current	V _{IN} = 0V to V _{CC}		±1	μA
I _{LI2} ⁽¹⁾	Input Load Current A13	V _{IN} = 0V to V _{CC}		±100	μA
I _{LO}	Output Leakage Current	V _{OUT} = 0V to V _{CC}		±5	μA
I _{CC}	V _{CC} Active Current	f = 5 MHz, I _{OUT} = 0 mA		20	mA
V _{IL}	Input Low Voltage		-0.6	0.8	V
V _{IH}	Input High Voltage		2.0	V _{CC} + 0.5	V
V _{OL}	Output Low Voltage	I _{OL} = 2.1 mA		0.4	V
V _{OH}	Output High Voltage	I _{OH} = -400 μA	2.4		V

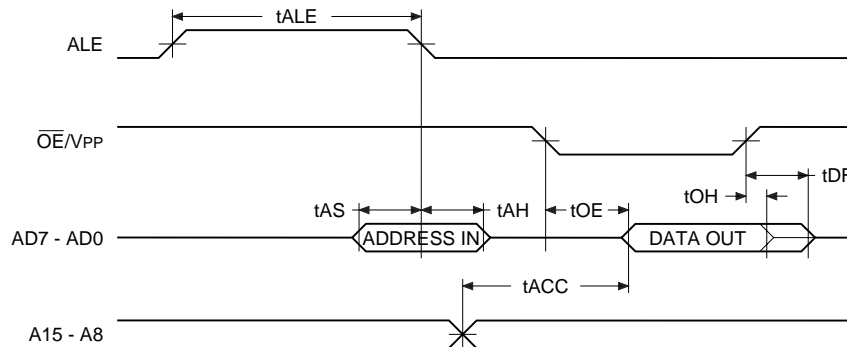
Note: 1. For address input A13 only.

AC Characteristics for Read Operation

Symbol	Parameter	Condition	AT27C520-70		AT27C520-90		Units
			Min	Max	Min	Max	
$t_{ACC}^{(2)}$	Address to Output Delay	$ALE = \overline{OE}/V_{PP} = V_{IL}$		70		90	ns
t_{AS}	Address Setup Time	$\overline{OE}/V_{PP} = V_{IH}$	12		15		ns
t_{AH}	Address Hold Time	$\overline{OE}/V_{PP} = V_{IH}$	12		15		ns
t_{ALE}	Address Latch Enable Width	$\overline{OE}/V_{PP} = V_{IH}$	40		45		ns
$t_{OE}^{(2)}$	\overline{OE}/V_{PP} to Output Delay	$ALE = V_{IL}$		30		35	ns
$t_{DF}^{(3)(4)}$	\overline{OE}/V_{PP} High to Output Float	$ALE = V_{IL}$		25		25	ns
t_{OH}	Output Hold from Address or \overline{OE}/V_{PP} , whichever occurred first	$ALE = V_{IL}$	7		0		ns

Note: 2, 3, 4 — see AC Waveforms for Read Operation

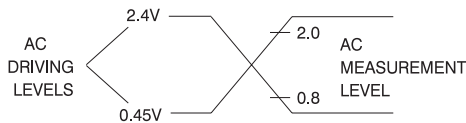
AC Waveforms for Read Operation⁽¹⁾



- Notes:
1. Timing measurement reference levels for all speed grades are $V_{OL} = 0.8V$ and $V_{OH} = 2.0V$. Input AC drive levels are $V_{IL} = 0.45V$ and $V_{IH} = 2.4V$.
 2. \overline{OE}/V_{PP} may be delayed up to $t_{ACC} - t_{OE}$ after the address is valid without impact on t_{ACC} .
 3. This parameter is only sampled and is not 100% tested.
 4. Output float is defined as the point when data is no longer driven.

Input Test Waveforms and Measurement Levels

For -70 and -90 devices:



$t_R, t_F < 20$ ns (10% to 90%)

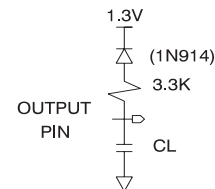
Pin Capacitance

$f = 1$ MHz, $T = 25^\circ C^{(1)}$

Symbol	Typ	Max	Units	Conditions
C_{IN}	4	6	pF	$V_{IN} = 0V$
C_{OUT}	8	12	pF	$V_{OUT} = 0V$

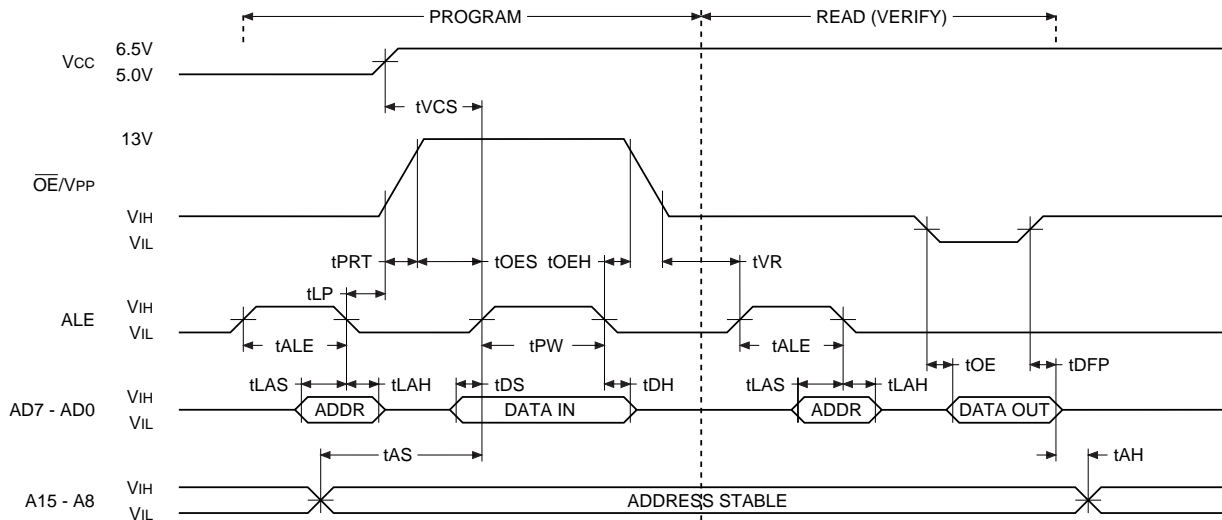
Note: 1. Typical values for nominal supply voltage. This parameter is only sampled and is not 100% tested.

Output Test Load



Note: $C_L = 100$ pF including jig capacitance.

Programming Waveforms



- Notes:
1. The Input Timing Reference is 0.8V for V_{IL} and 2.0V for V_{IH} .
 2. t_{OE} and t_{DFP} are characteristics of the device but must be accommodated by the programmer.

DC Programming Characteristics

$T_A = 25 \pm 5^\circ\text{C}$, $V_{CC} = 6.5 \pm 0.25\text{V}$, $\overline{OE}/V_{PP} = 13.0 \pm 0.25\text{V}$

Symbol	Parameter	Test Conditions	Limits		Units
			Min	Max	
I_{LI}	Input Load Current	$V_{IN} = V_{IL}, V_{IH}$		± 10	μA
$I_{LI2}^{(1)}$	Input Load Current A13	$V_{IN} = V_{IL}, V_{IH}$		± 100	μA
V_{IL}	Input Low Level		-0.6	0.8	V
V_{IH}	Input High Level		2.0	$V_{CC} + 1.0$	V
V_{OL}	Output Low Voltage	$I_{OL} = 2.1 \text{ mA}$		0.4	V
V_{OH}	Output High Voltage	$I_{OH} = -400 \mu\text{A}$	2.4		V
I_{CC2}	V_{CC} Supply Current (Program and Verify)			25	mA
I_{PP2}	\overline{OE}/V_{PP} Current	$\text{ALE} = V_{IH}$		25	mA

- Note:
1. For address input A13 only.

AC Programming Characteristics

$T_A = 25 \pm 5^\circ\text{C}$, $V_{CC} = 6.5 \pm 0.25\text{V}$, $\overline{\text{OE}}/V_{PP} = 13.0 \pm 0.25\text{V}$

Symbol	Parameter ⁽¹⁾	Test Conditions	Limits		Units	
			Min	Max		
t_{ALE}	Address Latch Enable Width	Input Rise and Fall Times (10% to 90%) 20 ns	500		ns	
t_{LAS}	Latched Address Setup Time		100		ns	
t_{LAH}	Latched Address Hold Time		100		ns	
t_{LP}	ALE Low to $\overline{\text{OE}}/V_{PP}$ High Voltage Delay		2		μs	
t_{OES}	$\overline{\text{OE}}/V_{PP}$ Setup Time		2		μs	
t_{OEH}	$\overline{\text{OE}}/V_{PP}$ Hold Time		2		μs	
t_{DS}	Data Setup Time		Input Pulse Levels 0.45V to 2.4V	2		μs
t_{DH}	Data Hold Time			2		μs
t_{PW}	ALE Program Pulse Width ⁽²⁾		Input Timing Reference Level 0.8V to 2.0V	47.5	52.5	μs
t_{VR}	$\overline{\text{OE}}/V_{PP}$ Recovery Time			2		μs
t_{VCS}	V_{CC} Setup Time		Output Timing Reference Level 0.8V to 2.0V	2		μs
t_{OE}	Data Valid from $\overline{\text{OE}}/V_{PP}$				150	ns
t_{DFP}	$\overline{\text{OE}}/V_{PP}$ High to Output Float Delay ⁽³⁾			0	130	ns
t_{AS}	Address Setup Time			2		μs
t_{AH}	Address Hold Time			0		μs
t_{PRT}	$\overline{\text{OE}}/V_{PP}$ Pulse Rise Time During Programming		50		ns	

- Notes:
- V_{CC} must be applied simultaneously or before $\overline{\text{OE}}/V_{PP}$ and removed simultaneously or after $\overline{\text{OE}}/V_{PP}$
 - Program Pulse width tolerance is $50 \mu\text{sec} \pm 5\%$.
 - This parameter is only sampled and is not 100% tested. Output Float is defined as the point where data is no longer driven — see timing diagram.

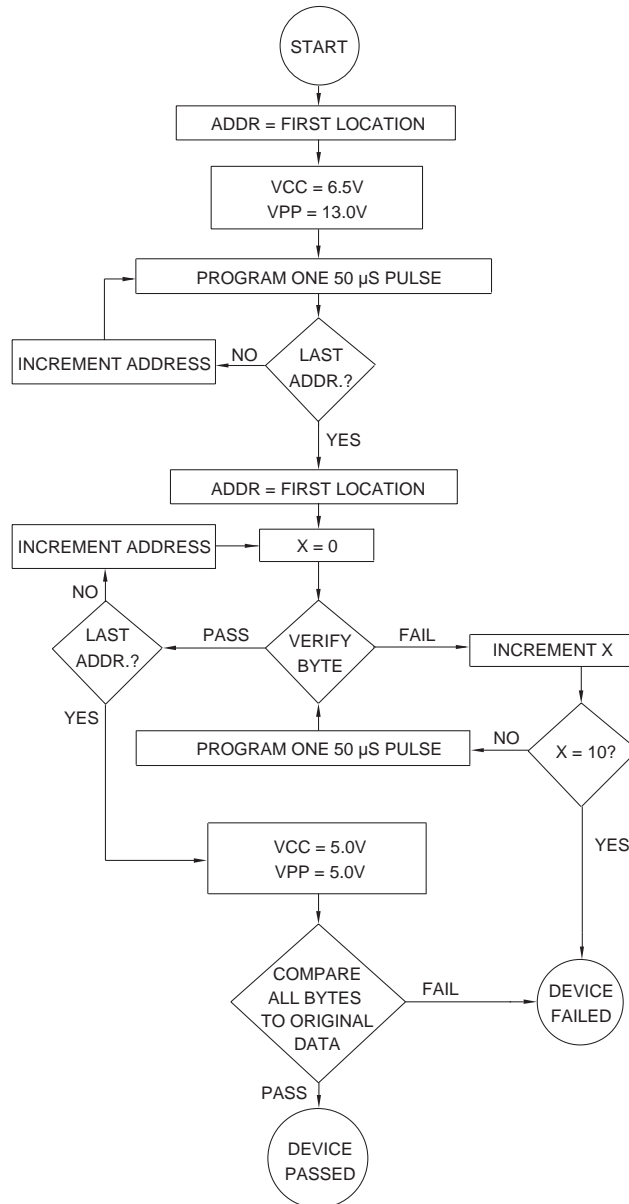
Atmel's 27C520 Integrated Product Identification Code

Codes	Pins									Hex Data
	A8	AD7	AD6	AD5	AD4	AD3	AD2	AD1	AD0	
Manufacturer	0	0	0	0	1	1	1	1	0	1E
Device Type	1	1	0	0	1	1	1	0	1	9D

Rapid™ Programming Algorithm

A 50 μs ALE pulse width is used to program. The address is set to the first location. V_{CC} is raised to 6.5V and \overline{OE}/V_{PP} is raised to 13.0V. Each address is first programmed with one 50 μs ALE pulse without verification. Then a verification/reprogramming loop is executed for each address. In the event a byte fails to pass verification, up to 10 successive 50 μs pulses are applied with a verification after each

pulse. If the byte fails to verify after 10 pulses have been applied, the part is considered failed. After the byte verifies properly, the next address is selected until all have been checked. \overline{OE}/V_{PP} is then lowered to V_{IH} and V_{CC} to 5.0V. All bytes are read again and compared with the original data to determine if the device passes or fails.



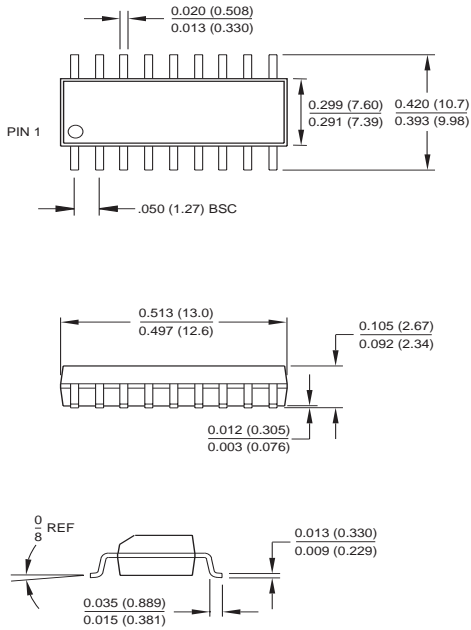
Ordering Information

t_{ACC} (ns)	I_{CC} (mA) Active	Ordering Code	Package	Operation Range
70	20	AT27C520-70SC	20S	Commercial (0°C to 70°C)
		AT27C520-70XC	20X	
90	20	AT27C520-70SI	20S	Industrial (-40°C to 85°C)
		AT27C520-70XI	20X	
90	20	AT27C520-90SC	20S	Commercial (0°C to 70°C)
		AT27C520-90XC	20X	
90	20	AT27C520-90SI	20S	Industrial (-40°C to 85°C)
		AT27C520-90XI	20X	

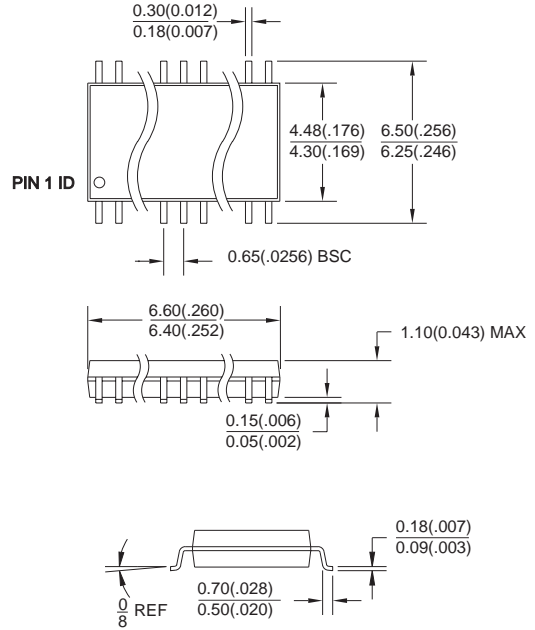
Package Type	
20S	20-Lead, 0.300" Wide, Plastic Gull-Wing Small Outline (SOIC)
20X	20-Lead, 0.173" Wide, Thin Shrink Small Outline (TSSOP)

Packaging Information

20S, 20-Lead, 0.300" Wide,
Plastic Gull Wing Small Outline
Dimensions in Inches and (Millimeters)



20X, 20-Lead, 0.173" Wide, Thin Super Small
Outline Package (TSSOP)
Dimensions in (Millimeters) and Inches





Atmel Headquarters

Corporate Headquarters
2325 Orchard Parkway
San Jose, CA 95131
TEL (408) 441-0311
FAX (408) 487-2600

Europe

Atmel U.K., Ltd.
Coliseum Business Centre
Riverside Way
Camberley, Surrey GU15 3YL
England
TEL (44) 1276-686677
FAX (44) 1276-686697

Asia

Atmel Asia, Ltd.
Room 1219
Chinachem Golden Plaza
77 Mody Road
Tsimshatsui East
Kowloon, Hong Kong
TEL (852) 27219778
FAX (852) 27221369

Japan

Atmel Japan K.K.
Tonetsu Shinkawa Bldg., 9F
1-24-8 Shinkawa
Chuo-ku, Tokyo 104-0033
Japan
TEL (81) 3-3523-3551
FAX (81) 3-3523-7581

Atmel Operations

Atmel Colorado Springs
1150 E. Cheyenne Mtn. Blvd.
Colorado Springs, CO 80906
TEL (719) 576-3300
FAX (719) 540-1759

Atmel Rousset

Zone Industrielle
13106 Rousset Cedex, France
TEL (33) 4 42 53 60 00
FAX (33) 4 42 53 60 01

Fax-on-Demand

North America:
1-(800) 292-8635
International:
1-(408) 441-0732

e-mail

literature@atmel.com

Web Site

<http://www.atmel.com>

BBS

1-(408) 436-4309

© Atmel Corporation 1998.

Atmel Corporation makes no warranty for the use of its products, other than those expressly contained in the Company's standard warranty which is detailed in Atmel's Terms and Conditions located on the Company's website. The Company assumes no responsibility for any errors which may appear in this document, reserves the right to change devices or specifications detailed herein at any time without notice, and does not make any commitment to update the information contained herein. No licenses to patents or other intellectual property of Atmel are granted by the Company in connection with the sale of Atmel products, expressly or by implication. Atmel's products are not authorized for use as critical components in life support devices or systems.

Marks bearing ® and/or ™ are registered trademarks and trademarks of Atmel Corporation.

Terms and product names in this document may be trademarks of others.



Printed on recycled paper.

0752D-10/98/xM