



Integrator Series FPGAs – 1200XL and 3200DX Families



Features

High Capacity

- 2,500 to 40,000 logic gates
- Up to 4 Kbits configurable dual-port SRAM
- Fast wide-decode circuitry
- Up to 288 user-programmable I/O Pins

High Performance

- 225 MHz performance
- 5 ns Dual-Port SRAM Access
- 100 MHz FIFOs
- 7.5 ns 35-bit Address Decode

Ease-of-Integration

- Synthesis-friendly architecture supports ASIC design methodologies
- 95–100% device utilization using automatic Place and Route Tools
- Deterministic, user-controllable timing via DirectTime software tools
- Supported by Actel Designer Series development system with interfaces to popular design environments such as

Cadence, Escalade, Exemplar, IST, Mentor Graphics, Synopsys and Viewlogic

- JTAG 1149.1 Boundary Scan Testing

General Description

Actel's Integrator Series FPGAs are the first programmable logic devices optimized for high-speed system logic integration. Based on Actel's proprietary PLICE antifuse technology and state-of-the-art 0.6-micron double metal CMOS process, the Integrator Series devices offer a fine-grained, register-rich architecture with the industry's fastest embedded dual-port SRAM and wide decode circuitry.

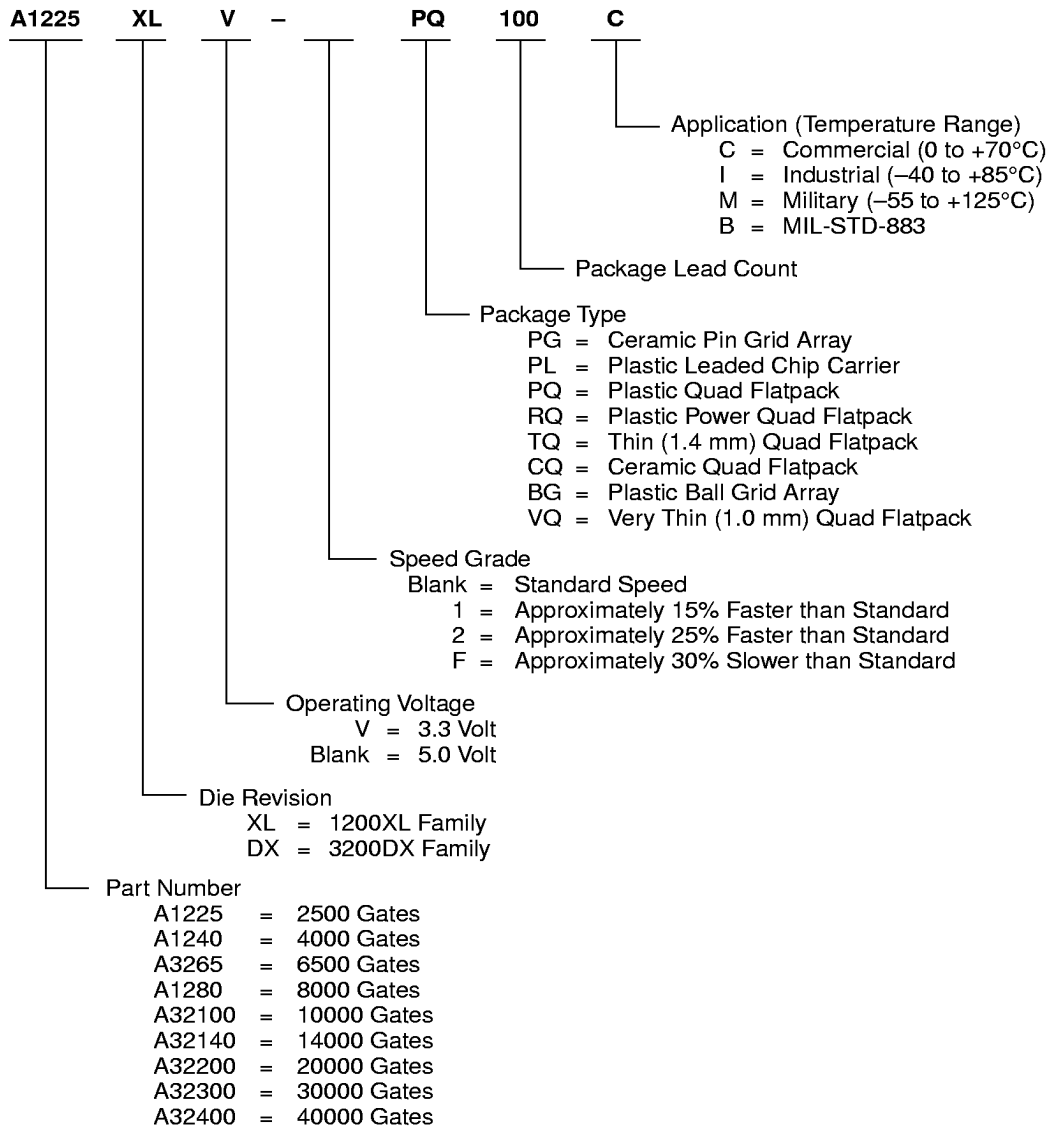
3200DX and 1200XL FPGAs were designed to integrate system logic which is typically implemented in multiple CPLDs, PALs and FPGAs. These devices provide the features and performance required for today's complex, high-speed digital logic systems. The 3200DX family offers the industry's fastest dual-port SRAM for implementing fast FIFOs, LIFOs and temporary data storage. The large number of storage elements can efficiently address applications requiring wide datapath manipulation and transformation functions such as telecommunications, networking and DSP.

Integrator Series Product Profile

| Device | A1225XL | A1240XL | A3265DX | A1280XL | A32100DX | A32140DX | A32200DX | A32300DX | A32400DX |
|------------------------------------|---------|---------|---------|---------|----------|----------|----------|----------|----------|
| Capacity | | | | | | | | | |
| Logic Gates ¹ | 2,500 | 4,000 | 6,500 | 8,000 | 10,000 | 14,000 | 20,000 | 30,000 | 40,000 |
| SRAM Bits | N/A | N/A | N/A | N/A | 2,048 | N/A | 2,560 | 3,072 | 4,096 |
| Logic Modules | | | | | | | | | |
| Sequential | 231 | 348 | 510 | 624 | 700 | 954 | 1,230 | 1,888 | 2,526 |
| Combinatorial | 220 | 336 | 475 | 608 | 662 | 912 | 1,184 | 1,833 | 2,466 |
| Decode | N/A | N/A | 20 | N/A | 20 | 24 | 24 | 28 | 28 |
| SRAM Modules (64x4 or 32x8) | | | | | | | | | |
| | NA | NA | NA | NA | 8 | NA | 10 | 12 | 16 |
| Dedicated Flip-Flops | | | | | | | | | |
| | 231 | 348 | 510 | 624 | 700 | 954 | 1,230 | 1,888 | 2,526 |
| Clocks | | | | | | | | | |
| | 2 | 2 | 2 | 2 | 6 | 2 | 6 | 6 | 6 |
| User I/O (maximum) | | | | | | | | | |
| | 83 | 104 | 126 | 140 | 152 | 176 | 202 | 250 | 288 |
| JTAG | | | | | | | | | |
| | No | No | No | No | Yes | Yes | Yes | Yes | Yes |
| Packages | | | | | | | | | |
| | PL84 | PL84 | PL84 | PL84 | PL84 | PL84 | PQ208 | RQ208 | RQ240 |
| | PQ100 | PQ100 | PQ100 | PQ100 | PQ160 | PQ160 | RQ208 | RQ240 | |
| | VQ100 | PQ144 | PQ160 | PQ160 | PQ208 | PQ208 | RQ240 | | |
| | PG100 | TQ176 | TQ176 | PQ208 | TQ176 | TQ176 | | | |
| | | PG132 | | TQ176 | | | | | |
| | | | | PG176 | | | | | |
| | | | | CQ172 | | | | | |

Note 1: Logic gate capacity does not include SRAM bits as logic.

Ordering Information



Product Plan

| | Speed Grade | | | | Application | | | |
|--|-------------|-----|-----|-----|-------------|---|---|---|
| | -F | Std | -1* | -2* | C | I | M | B |
| A1225XL Device | | | | | | | | |
| 84-pin Plastic Leaded Chip Carrier (PLCC) | — | ✓ | ✓ | ✓ | ✓ | ✓ | — | — |
| 100-pin Plastic Quad Flatpack (PQFP) | — | ✓ | ✓ | ✓ | ✓ | ✓ | — | — |
| 100-pin Very Thin Plastic Quad Flatpack (VQFP) | — | ✓ | ✓ | ✓ | ✓ | ✓ | — | — |
| 100-pin Ceramic Pin Grid Array (CPGA) | — | ✓ | ✓ | ✓ | ✓ | — | — | — |
| A1225XLV Device | | | | | | | | |
| 84-pin Plastic Leaded Chip Carrier (PLCC) | — | ✓ | — | — | ✓ | — | — | — |
| 100-pin Very Thin Plastic Quad Flatpack (VQFP) | — | ✓ | — | — | ✓ | — | — | — |
| A1240XL Device | | | | | | | | |
| 84-pin Plastic Leaded Chip Carrier (PLCC) | — | ✓ | ✓ | ✓ | ✓ | ✓ | — | — |
| 100-pin Plastic Quad Flatpack (PQFP) | — | ✓ | ✓ | ✓ | ✓ | ✓ | — | — |
| 132-pin Ceramic Pin Grid Array (CPGA) | — | ✓ | ✓ | ✓ | ✓ | — | — | — |
| 144-pin Plastic Quad Flatpack (PQFP) | — | ✓ | ✓ | ✓ | ✓ | ✓ | — | — |
| 176-pin Thin Plastic Quad Flatpack (TQFP) | — | ✓ | ✓ | ✓ | ✓ | ✓ | — | — |
| A1240XLV Device | | | | | | | | |
| 84-pin Plastic Leaded Chip Carrier (PLCC) | — | ✓ | — | — | ✓ | — | — | — |
| 176-pin Thin Plastic Quad Flatpack (TQFP) | — | ✓ | — | — | ✓ | — | — | — |
| A3265DX Device | | | | | | | | |
| 84-pin Plastic Leaded Chip Carrier (PLCC) | — | ✓ | ✓ | ✓ | ✓ | ✓ | — | — |
| 160-pin Plastic Quad Flatpack (PQFP) | — | ✓ | ✓ | ✓ | ✓ | ✓ | — | — |
| 176-pin Thin Plastic Quad Flatpack (TQFP) | — | ✓ | ✓ | ✓ | ✓ | ✓ | — | — |
| A3265DXV Device | | | | | | | | |
| 84-pin Plastic Leaded Chip Carrier (PLCC) | — | ✓ | — | — | ✓ | — | — | — |
| 176-pin Thin Plastic Quad Flatpack (TQFP) | — | ✓ | — | — | ✓ | — | — | — |
| A1280XL Device | | | | | | | | |
| 84-pin Plastic Leaded Chip Carrier (PLCC) | — | ✓ | ✓ | ✓ | ✓ | ✓ | — | — |
| 160-pin Plastic Quad Flatpack (PQFP) | — | ✓ | ✓ | ✓ | ✓ | ✓ | — | — |
| 172-pin Ceramic Quad Flatpack (CQFP) | — | ✓ | ✓ | ✓ | ✓ | — | P | P |
| 176-pin Thin Plastic Quad Flatpack (TQFP) | — | ✓ | ✓ | ✓ | ✓ | ✓ | — | — |
| 176-pin Ceramic Pin Grid Array (CPGA) | — | ✓ | ✓ | ✓ | ✓ | — | P | P |
| 208-pin Plastic Quad Flatpack (PQFP) | — | ✓ | ✓ | ✓ | ✓ | ✓ | — | — |
| A1280XLV Device | | | | | | | | |
| 84-pin Plastic Leaded Chip Carrier (PLCC) | — | ✓ | — | — | ✓ | — | — | — |
| 176-pin Thin Plastic Quad Flatpack (TQFP) | — | ✓ | — | — | ✓ | — | — | — |

Applications: C = Commercial I = Industrial M = Military B = MIL-STD-883
 Availability: ✓ = Available P = Planned — = Not Planned
 * Speed Grade: -1 = Approx. 15% Faster than Standard
 -2 = Approx. 25% Faster than Standard
 -F = Approx. 30% Slower than Standard

Product Plan (continued)

| | Speed Grade | | | | Application | | | |
|--|-------------|-----|-----|-----|-------------|---|---|---|
| | -F | Std | -1* | -2* | C | I | M | B |
| A32100DX Device | | | | | | | | |
| 84-pin Plastic Leaded Chip Carrier (PLCC) | P | P | P | P | P | P | — | — |
| 160-pin Plastic Quad Flatpack (PQFP) | P | P | P | P | P | P | — | — |
| 208-pin Plastic Quad Flatpack (PQFP) | P | P | P | P | P | P | — | — |
| 176-pin Thin Plastic Quad Flatpack (TQFP) | P | P | P | P | P | P | — | — |
| 240-pin Plastic Super Ball Grid Array (SBGA) | P | P | P | P | P | P | — | — |
| A32140DX Device | | | | | | | | |
| 160-pin Plastic Quad Flatpack (PQFP) | P | ✓ | ✓ | ✓ | ✓ | ✓ | — | — |
| 176-pin Thin Plastic Quad Flatpack (TQFP) | P | ✓ | ✓ | ✓ | ✓ | ✓ | — | — |
| 208-pin Plastic Quad Flatpack (PQFP) | P | ✓ | ✓ | ✓ | ✓ | ✓ | — | — |
| 240-pin Plastic Super Ball Grid Array (SBGA) | P | ✓ | ✓ | ✓ | ✓ | ✓ | — | — |
| A32140DXV Device | | | | | | | | |
| 176-pin Thin Plastic Quad Flatpack (TQFP) | — | ✓ | — | — | ✓ | — | — | — |
| 208-pin Plastic Quad Flatpack (PQFP) | — | ✓ | — | — | ✓ | — | — | — |
| A32200DX Device | | | | | | | | |
| 208-pin Plastic Quad Flatpack (PQFP) | P | ✓ | ✓ | P | ✓ | ✓ | — | — |
| 208-pin Plastic Power Quad Flatpack (RQFP) | P | ✓ | ✓ | P | ✓ | ✓ | — | — |
| 240-pin Plastic Power Quad Flatpack (RQFP) | P | ✓ | ✓ | P | ✓ | ✓ | — | — |
| 240-pin Plastic Super Ball Grid Array (SBGA) | P | P | P | P | P | P | — | — |
| 432-pin Plastic Super Ball Grid Array (SBGA) | P | P | P | P | P | P | — | — |
| A32200DXV Device | | | | | | | | |
| 208-pin Plastic Quad Flatpack (PQFP) | ✓ | ✓ | ✓ | ✓ | ✓ | ✓ | — | — |
| 240-pin Plastic Quad Flatpack (PQFP) | ✓ | ✓ | ✓ | ✓ | ✓ | ✓ | — | — |
| A32300DX Device | | | | | | | | |
| 240-pin Plastic Power Quad Flatpack (RQFP) | P | P | P | P | P | P | — | — |
| A32400DX Device | | | | | | | | |
| 240-pin Plastic Power Quad Flatpack (RQFP) | P | P | P | P | P | P | — | — |

Applications: C = Commercial Availability: ✓ = Available * Speed Grade: -1 = Approx. 15% Faster than Standard
 I = Industrial P = Planned -2 = Approx. 25% Faster than Standard
 M = Military — = Not Planned -F = Approx. 30% Slower than Standard
 B = MIL-STD-883

Integrator Series devices are supported by Actel's Designer Series Development software which provides a seamless integration into any ASIC design flow. The Designer Series development tools offer automatic placement and routing (even with pre-assigned pins), static timing analysis, user programming, and debug and diagnostic probe capabilities. In addition, the DirectTime tool provides deterministic as well as controllable timing. DirectTime allows the designer to specify the performance requirements of individual paths and system clock(s). Using these specifications, the software will automatically optimize the placement and routing of the logic to meet these constraints. Included with the Designer Series tools is Actel's ACTGen™ Macro Builder. ACTGen allows the designer to quickly build fast, efficient logic functions such as counters, adders, FIFOs, and RAM.

The Designer Series tools provide designers the capability to move up to High-Level Description Languages, such as VHDL

and Verilog, or use schematic design entry with interfaces to most EDA tools. Designer Series is supported on the following development platforms: 486 and Pentium PC, Sun® and HP® workstations. The software provides CAE interfaces to Cadence, Mentor Graphics®, Escalade, OrCAD™ and Viewlogic® design environments. Additional development tools are supported through Actel's Industry Alliance Program, including DATA I/O (ABEL FPGA) and MINC.

Actel's FPGAs are an ideal solution for shortening the system design and development cycle and offers a cost-effective alternative for low volume production runs. The 3200DX and 1200XL devices are an excellent choice for integrating logic that is currently implemented in multiple PALs, CPLDs and FPGAs. Some example applications include high-speed controllers and address decoding, peripheral bus interfaces, DSP, and co-processor functions.

Plastic Device Resources

| Device | User I/Os | | | | | | | | | |
|----------|----------------|-----------------|-----------------|-----------------|-----------------|-----------------|-----------------|-----------------|-----------------|-----------------|
| | PLCC 84-pin | VQFP 100-pin | PQFP 100-pin | PQFP 144-pin | PQFP 160-pin | PQFP 208-pin | RQFP 240-pin | TQFP 176-pin | SBGA 240-pin | SBGA 432-pin |
| A1225XL | 72 | 83 | 83 | — | — | — | — | — | — | — |
| A1240XL | 72 | — | 83 | 104 | — | — | — | 103 | — | — |
| A3265DX | 72 | — | 83 | — | 125 | — | — | 126 | — | — |
| A1280XL | 72 | — | 83 | — | 125 | 140 | — | 140 | — | — |
| A1280XLB | | | | | | | | | | |
| A32100DX | 72 | — | — | — | 125 | 152 | — | 142 | 152 | — |
| A32140DX | 72 | — | — | — | 125 | 176 | — | 150 | 176 | — |
| A32200DX | — | — | — | — | — | 176* | 202 | — | 176 | 202 |
| A32300DX | — | — | — | — | — | 176 | 202 | — | — | 250 |
| A32400DX | — | — | — | — | — | — | 202 | — | — | 288 |

Package Definitions (Consult your local Actel Sales Representative for product availability.)

PLCC = Plastic Leaded Chip Carrier, PQFP = Plastic Quad Flat Pack, TQFP = Thin Quad Flat Pack, BGA = Ball Grid Array, VQFP = Very Thin Quad Flat Pack, RQFP = Plastic Power Quad Flat Pack

• Also available in RQFP 208-pin.

Hermetic Device Resources

| Device | User I/Os | |
|----------|-----------------|-----------------|
| | CPGA 176-pin | CQFP 172-pin |
| A1280XL | 140 | 140 |
| A32140DX | | |
| A32200DX | | |

Package Definitions (Consult your local Actel Sales Representative for product availability.)

CPGA = Ceramic Pin Grid Array, CQFP = Ceramic Quad Flat Pack

Pin Description

CLKA, CLKB Clock A and Clock B (input)

TTL Clock inputs for clock distribution networks. The Clock input is buffered prior to clocking the logic modules. This pin can also be used as an I/O.

DCLK Diagnostic Clock (Input)

TTL Clock input for diagnostic probe and device programming. DCLK is active when the MODE pin is HIGH. This pin functions as an I/O when the MODE pin is LOW.

GND Ground (Input)

Input LOW supply voltage.

I/O Input/Output (Input, Output)

I/O pin functions as an input, output, three-state or bi-directional buffer. Input and output levels are compatible with standard TTL and CMOS specifications. Unused I/O pins are automatically driven LOW by the Designer Series software.

MODE Mode (Input)

The MODE pin controls the use of multi-function pins (DCLK, PRA, PRB, SDI, TDO). When the MODE pin is HIGH, the special functions are active. To provide Actionprobe capability, the MODE pin should be terminated to GND through a 10K resistor so that the MODE pin can be pulled high when required.

NC No Connection

This pin is not connected to circuitry within the device.

PRA I/O Probe A (Output)

The Probe A pin is used to output data from any user-defined design node within the device. This independent diagnostic pin is used in conjunction with the Probe B pin to allow real-time diagnostic output of any signal path within the device. The Probe A pin can be used as a user-defined I/O when debugging has been completed. The pin's probe capabilities can be permanently disabled to protect programmed design confidentiality. PRA is active when the MODE pin is HIGH. This pin functions as an I/O when the MODE pin is LOW.

PRB I/O Probe B (Output)

The Probe B pin is used to output data from any user-defined design node within the device. This independent diagnostic pin is used in conjunction with the Probe A pin to allow real-time diagnostic output of any signal path within the device. The Probe B pin can be used as a user-defined I/O when debugging has been completed. The pin's probe capabilities can be permanently disabled to protect

programmed design confidentiality. PRB is active when the MODE pin is HIGH. This pin functions as an I/O when the MODE pin is LOW.

QCLKA/B,C,D Quadrant Clock (Input/Output)

These four pins are the quadrant clock inputs. When not used as a register control signal, these pins can function as general purpose I/O.

SDI Serial Data Input (Input)

Serial data input for diagnostic probe and device programming. SDI is active when the MODE pin is HIGH. This pin functions as an I/O when the MODE pin is LOW.

TCK Test Clock

Clock signal to shift the JTAG data into the device. This pin functions as an I/O when the JTAG fuse is not programmed.

TDI Test Data In

Serial data input for JTAG instructions and data. Data is shifted in on the rising edge of TCLK. This pin functions as an I/O when the JTAG fuse is not programmed.

TDO Test Data Out

Serial data output for JTAG instructions and test data. This pin functions as an I/O when the JTAG fuse is not programmed.

TMS Test Mode Select

Serial data input for JTAG test mode. Data is shifted in on the rising edge of TCLK. This pin functions as an I/O when the JTAG fuse is not programmed.

V_{CC} Supply Voltage (Input)

Input HIGH supply voltage.

Note: TCK, TDI, TDO, TMS are only available on devices containing JTAG circuitry.

Integrator Series Architectural Overview

The 1200XL and 3200DX architecture is composed of fine-grained building blocks which produce fast, efficient logic designs. All devices within the Integrator Series are composed of Logic Modules, Routing Resources, Clock Networks, and I/O modules which are the building blocks to design fast logic designs. In addition, a subset of devices contain embedded dual-port SRAM and wide decode modules. The dual-port SRAM modules are optimized for high-speed data path functions such as FIFOs, LIFOs, and scratchpad memory. "Integrator Series Product Profile" on page 1 lists the specific logic resources contained within each device.

Logic Modules

3200DX and 1200XL devices contain three types of logic modules: combinational (C-modules), sequential (S-modules), and decode (D-modules). 1200XL devices contain only the C-module and S-module, while the 3200DX devices contain D-modules and dual-port SRAM modules; in addition to the S-module and C-module.

The C-module is shown in Figure 1 and implements the following function:

$$Y = !S1 * !S0 * D00 + !S1 * S0 * D01 + S1 * !S0 * D10 + S1 * S0 * D11$$

where:

$$S0 = A0 * B0$$

$$S1 = A1 + B1$$

The S-module shown in Figure 2 is designed to implement high-speed sequential functions within a single logic module. The S-module implements the same combinational logic function as the C-module while adding a sequential element. The sequential element can be configured as either a D

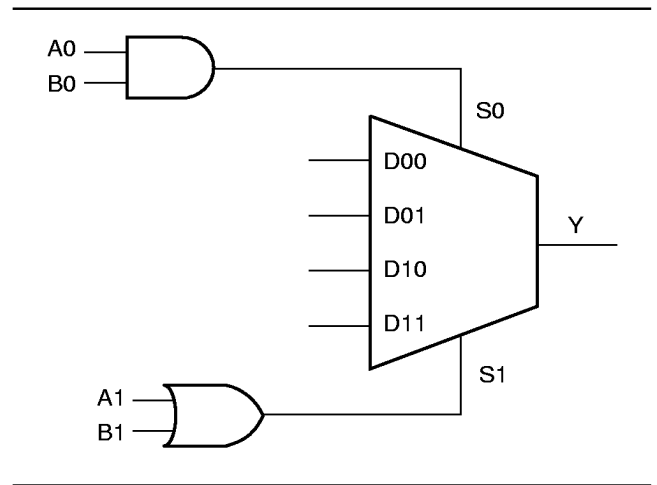


Figure 1 • C-module Implementation

flip-flop or a transparent latch. To increase flexibility, the S-module register can be by-passed so that it implements purely combinational logic.

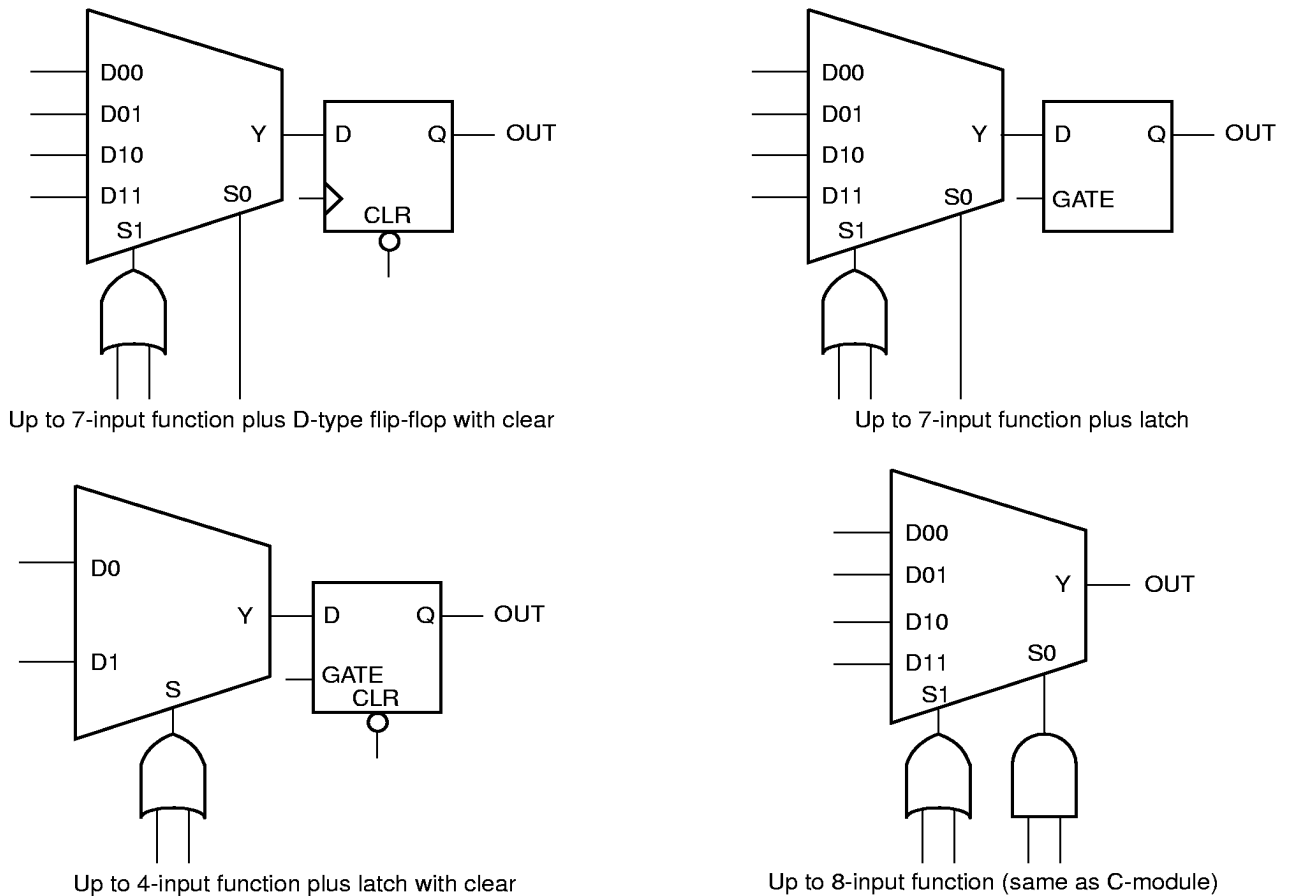


Figure 2 • S-module Implementation

3200DX devices contain a third type of logic module, D-modules, which are arranged around the periphery of device. D-modules contain wide decode circuitry which provides a fast, wide-input AND function similar to that found in product term architectures (Figure 3). The D-module allows 3200DX devices to perform wide decode functions at speeds comparable CPLDs and PAL devices. The output of the D-module has a programmable inverter for active HIGH or LOW assertion. The D-module output is hardwired to an output pin or can be fed back into the array to be incorporated into other logic.

Dual-Port SRAM Modules

Several 3200DX devices contain dual-port SRAM modules that have been optimized for synchronous or asynchronous applications. The SRAM modules are arranged in 256 bit blocks which can be configured as 32 x 8 or 64 x 4 (refer to "Integrator Series Product Profile" on page 1 for the number of SRAM blocks within a particular device). SRAM modules

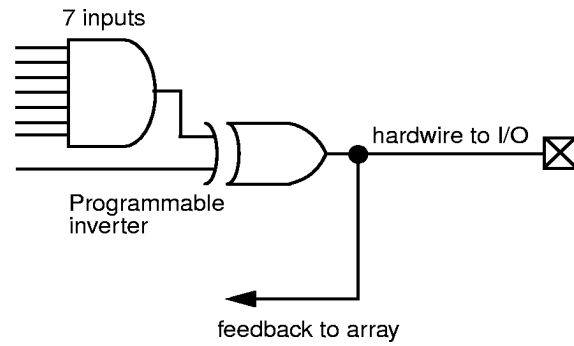


Figure 3 • D-Module Implementation

can be cascaded together to form memory spaces of user-definable width and depth. A block diagram of the 3200DX dual-port SRAM block is shown in Figure 4.

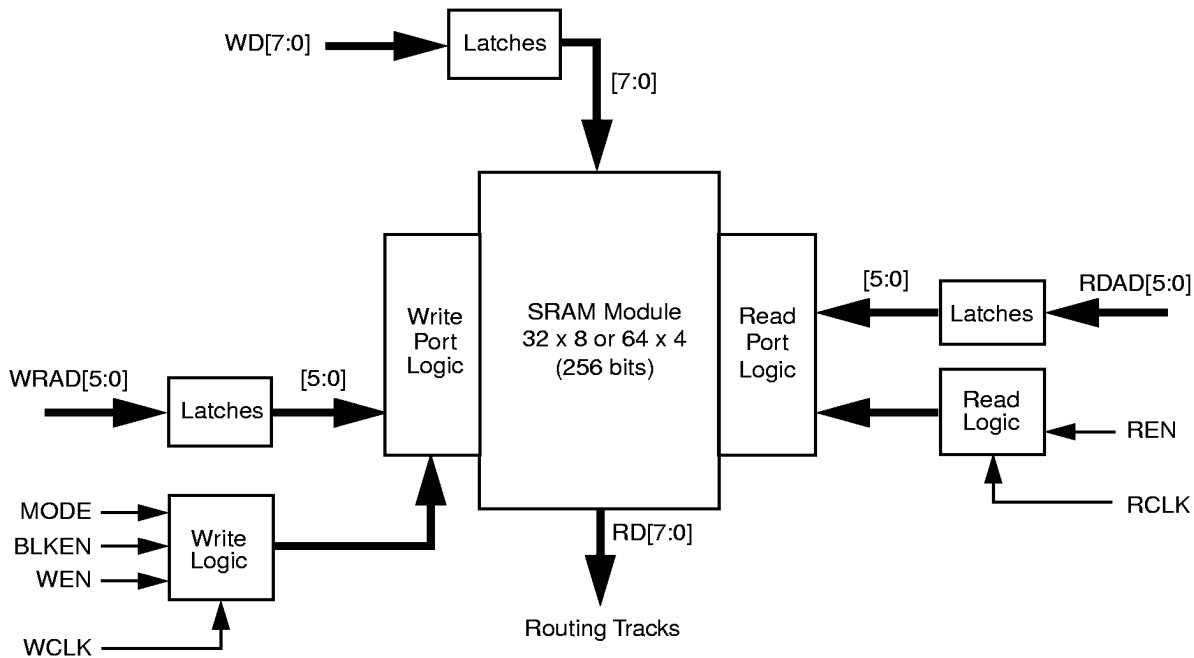


Figure 4 • 3200DX Dual-Port SRAM Block

The 3200DX SRAM modules are true dual-port structures containing independent READ and WRITE ports. Each SRAM module contains six bits of read and write addressing (RDAD[5:0] and WRAD[5:0] respectively) for 64x4 bit blocks. When configured in byte mode, the highest order address bits (RDAD5 and WRAD5) are not used. The read and write ports of the SRAM block contain independent clocks (RCLK and WCLK) with programmable polarities offering active HIGH or

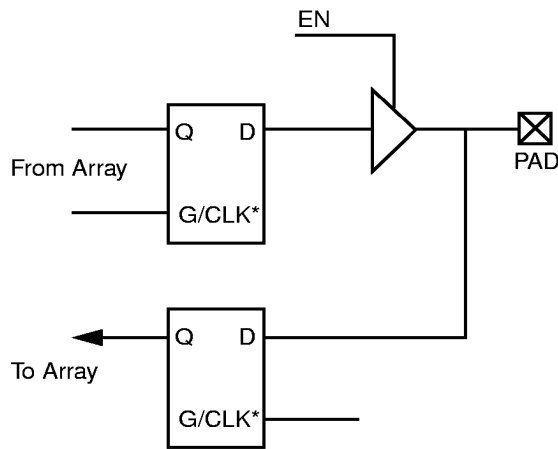
LOW implementation. The SRAM block contains eight data inputs (WD[7:0]) and eight outputs (RD[7:0]) which are connected to segmented vertical routing tracks.

The 3200DX dual-port SRAM blocks are ideal for high-speed buffered applications requiring fast FIFO and LIFO queues. Actel's ACTGen Macro Builder provides the capability to quickly design memory functions, such as FIFOs, LIFOs, and

RAM arrays. Additionally, unused SRAM blocks need not be wasted since they can be used to implement registers for other logic within the design.

I/O Modules

The I/O modules provide the interface between the device pins and the logic array. Figure 5 is a block diagram of the I/O module. A variety of user functions, determined by a library macro selection, can be implemented in the module (refer to the Macro Library Guide for more information). I/O modules contain a tri-state buffer, input and output latches which can be configured for input, output, or bi-directional pins (Figure 5).



* Can be configured as a Latch or D Flip-Flop (using C-module)

Figure 5 • I/O Module

The Integrator Series devices contain flexible I/O structures in that each output pin has a dedicated output enable control. The I/O module can be used to latch input and/or output data, providing a fast setup time. In addition, the Actel Designer software tools can build a D flip-flop, using a C-module, to register input and/or output signals.

Actel's Designer Series development tools provide a design library of I/O macros. The I/O macro library provides macrofunctions which can implement all I/O configurations supported by the Integrator Series FPGAs.

Routing Structure

The Integrator Series architecture uses Vertical and Horizontal routing tracks to interconnect the various logic and I/O modules. These routing tracks are metal interconnects that may either be of continuous length or broken into pieces called segments. Varying segment lengths allows the interconnect of over 90% of design tracks to occur with only two antifuse connections. Segments can be joined

together at the ends, using antifuses, to increase their lengths up to the full length of the track. All interconnects can be accomplished with a maximum of four antifuses.

Horizontal Routing

Horizontal channels are located between the rows of modules and are composed of several routing tracks. The horizontal routing tracks within the channel are divided into one or more segments. The minimum horizontal segment length is the width of a module-pair, and the maximum horizontal segment length is the full length of the channel. Any segment that spans more than one-third the row length is considered a long horizontal segment. A typical channel is shown in Figure 6. Non-dedicated horizontal routing tracks are used to route signal nets. Dedicated routing tracks are used for the global clock networks and for power and ground tie-off tracks.

Vertical Routing

Another set of routing tracks run vertically through the module. Vertical tracks are of three types: input, output, and long. Vertical tracks are also divided into one or more segments. Each segment in an input track is dedicated to the input of a particular module. Each segment in an output track is dedicated to the output of a particular module. Long segments are uncommitted and can be assigned during routing. Each output segment spans four channels (two above and two below), except near the top and bottom of the array where edge effects occur. LVTs contain either one or two segments. An example of vertical routing tracks and segments is shown in Figure 6.

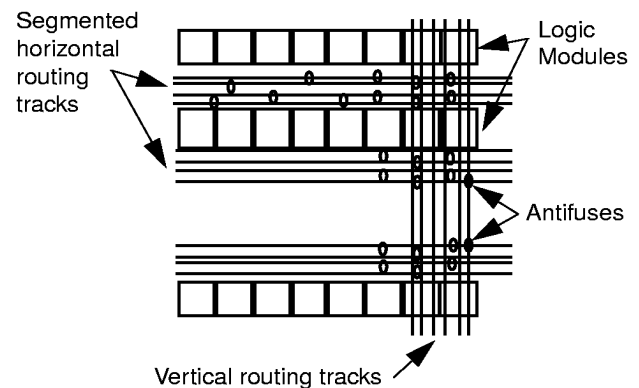


Figure 6 • Routing Structure

Antifuse Structures

An antifuse is a “normally open” structure as opposed to the normally closed fuse structure used in PROMs or PALs. The use of antifuses to implement a Programmable Logic Device results in highly testable structures as well as efficient programming algorithms. The structure is highly testable

because there are no pre-existing connections; therefore, temporary connections can be made using pass transistors. These temporary connections can isolate individual antifuses to be programmed as well as isolate individual circuit structures to be tested. This can be done both before and after programming. For example, all metal tracks can be tested for continuity and shorts between adjacent tracks, and the functionality of all logic modules can be verified.

Clock Networks

Two low-skew, high fanout clock distribution networks are provided in each 3200DX device. These networks are referred to as CLK0 and CLK1. Each network has a clock module (CLKMOD) that selects the source of the clock signal and may be driven as follows:

1. Externally from the CLKA pad
2. Externally from the CLKB pad
3. Internally from the CLKINA input
4. Internally from the CLKINB input

The clock modules are located in the top row of I/O modules. Clock drivers and a dedicated horizontal clock track are located in each horizontal routing channel.

The user controls the clock module by selecting one of two clock macros from the macro library. The macro CLKBUF is used to connect one of the two external clock pins to a clock network, and the macro CLKINT is used to connect an internally generated clock signal to a clock network. Since both clock networks are identical, the user does not care whether CLK0 or CLK1 is being used. The clock input pads may also be used as normal I/Os, bypassing the clock networks (see Figure 7).

The 3200DX devices which contain SRAM modules (all except A3265DX and A32140DX) have four additional register control resources, called Quadrant Clock Networks (Figure 8). Each quadrant clock provides a local, high-fanout resource to the contiguous logic modules within its quadrant of the device. Quadrant clock signals can originate from specific I/O pins or from the internal array and can be used as a secondary register clock, register clear, or output enable.

Test Circuitry

Both 3200DX and 1200XL devices provide the means to test and debug a design once it is programmed into a device. 3200DX and 1200XL devices contain Actel's Actionprobe® test facility. Once a device has been programmed, the Actionprobe test facility allows the designer to probe any internal node during device operation to aid in debugging a design. In addition, 3200DX devices contain JTAG 1149.1 Boundary Scan Test.

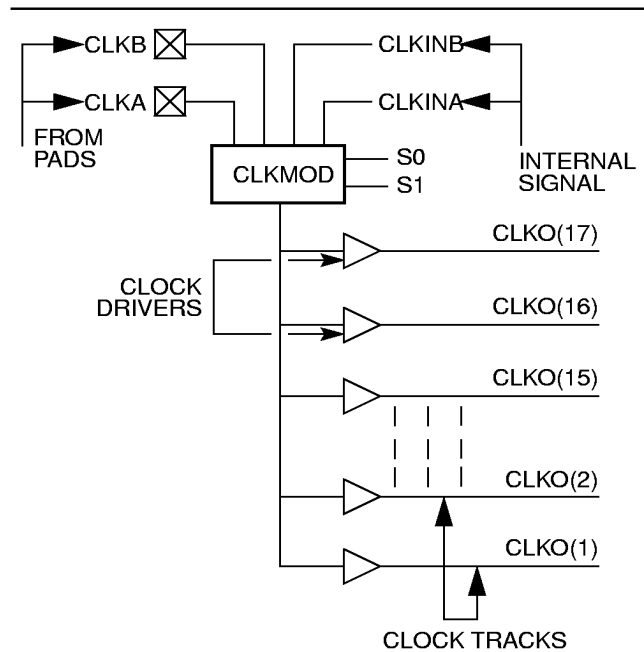


Figure 7 • Clock Networks

JTAG Boundary Scan Testing (BST)

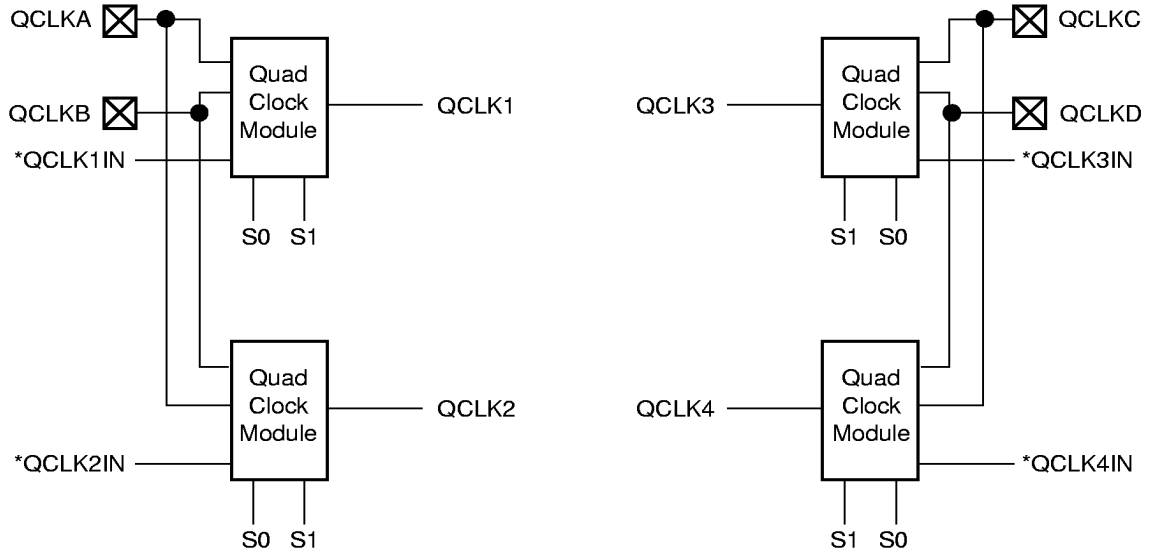
Device pin spacing is decreasing with the advent of fine-pitch packages such as TQFP and BGA packages and manufacturers are routinely implementing surface-mount technology with multi-layer PC boards. Boundary scan is becoming an attractive tool to help systems manufacturers test their PC boards. The Joint Test Action Group (JTAG) developed the IEEE Boundary Scan standard 1149.1 to facilitate board-level testing during manufacturing.

IEEE Standard 1149.1 defines a 4-pin Test Access Port (TAP) interface for testing integrated circuits in a system. The 3200DX family provides four JTAG BST pins: Test Data In (TDI), Test Data Out (TDO), Test Clock (TCLK) and Test Mode Select (TMS). Devices are configured in a JTAG "chain" where BST data can be transmitted serially between devices via TDO to TDI interconnections. The TMS and TCLK signals are shared between all devices in the JTAG chain so that all components operate in the same state.

The 3200DX family implements a subset of the IEEE 1149.1 Boundary Scan Test (BST) instruction in addition to a private instruction to allow the use of Actel's Actionprobe facility with JTAG BST. Refer to the IEEE 1149.1 specification for detailed information regarding JTAG testing.

JTAG Architecture

The 3200DX JTAG BST circuitry consist of a Test Access Port (TAP) controller, JTAG instruction register, JPROBE register, bypass register and boundary scan register. Figure 9 is a block diagram of the 3200DX JTAG circuitry.



**QCLK1IN, QCLK2IN, QCLK3IN, and QCLK4IN are internally generated signals.*

Figure 8 • Quadrant Clock Network

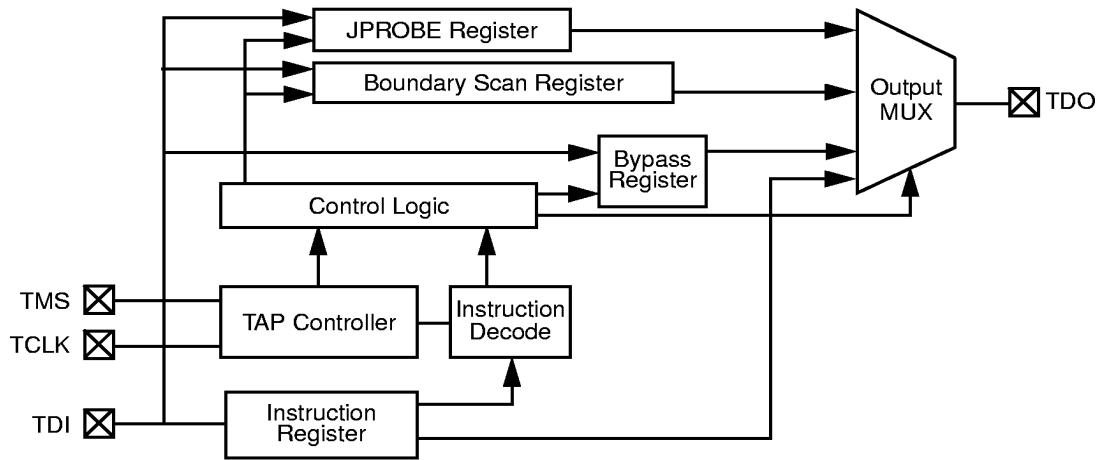


Figure 9 • JTAG BST Circuitry

When a device is operating in JTAG BST mode, four I/O pins are used for the TDI, TDO, TMS, and TCLK signals. An active reset (nTRST) pin is not supported, however the 3200DX contains power-on reset circuitry which resets the JTAG BST circuitry upon power-up. During normal device operation, the JTAG pins should be held LOW to disable the JTAG circuitry. The following table summarizes the functions of the JTAG BST signals.

| JTAG Signal | Name | Function |
|-------------|------------------|--|
| TDI | Test Data In | Serial data input for JTAG instructions and data. Data is shifted in on the rising edge of TCLK. |
| TDO | Test Data Out | Serial data output for JTAG instructions and test data. |
| TMS | Test Mode Select | Serial data input for JTAG test mode. Data is shifted in on the rising edge of TCLK. |
| TCLK | Test Clock | Clock signal to shift the JTAG data into the device. |

JTAG BST Instructions

JTAG BST testing within the 3200DX devices is controlled by a Test Access Port (TAP) state machine. The TAP controller drives the three-bit instruction register, a bypass register, and the boundary scan data registers within the device. The TAP controller uses the TMS signal to control the JTAG testing of the device. The JTAG test mode is determined by the bit stream entered on the TMS pin. The table in the next column describes the JTAG instructions supported by the 3200DX.

Actionprobe

If a device has been successfully programmed and the security fuse has not been programmed, any internal logic or I/O module output can be observed using the Actionprobe circuitry and the PRA and/or PRB pins. The Actionprobe diagnostic system provides the software and hardware required to perform real-time debugging. Refer to "Using the Actionprobe for System-Level Debug" application note on page 4-123 for further information.

| Test Mode | Code | Description |
|---------------------|------|--|
| EXTEST | 000 | Allows the external circuitry and board-level interconnections to be tested by forcing a test pattern at the output pins and capturing test results at the input pins. |
| SAMPLE/ PRELOAD | 001 | Allows a snapshot of the signals at the device pins to be captured and examined during device operation. |
| INTEST | 010 | Refer to IEEE 1149.1 Specification |
| JPROBE | 011 | A private instruction allowing the user to connect Actel's Micro Probe registers to the JTAG chain. |
| USER INSTRUCTION | 100 | Allows the user to build application-specific instructions such as RAM READ and RAM WRITE. |
| HIGH Z | 101 | Refer to IEEE 1149.1 Specification |
| CLAMP | 110 | Refer to IEEE 1149.1 Specification |
| BYPASS | 111 | Enables the by bypass register between the TDI and TDO pins. The test data passes through the selected device to adjacent devices in the JTAG chain. |

5.0V Operating Conditions

Absolute Maximum Ratings¹

Free air temperature range

| Symbol | Parameter | Limits | Units |
|------------------|--------------------------------------|------------------------------|-------|
| V _{CC} | DC Supply Voltage | -0.5 to +7.0 | V |
| V _I | Input Voltage | -0.5 to V _{CC} +0.5 | V |
| V _O | Output Voltage | -0.5 to V _{CC} +0.5 | V |
| I _{IO} | I/O Source/Sink Current ² | ±20 | mA |
| T _{STG} | Storage Temperature | -65 to +150 | °C |

Notes:

- Stresses beyond those listed under "Absolute Maximum Ratings" may cause permanent damage to the device. Exposure to absolute maximum rated conditions for extended periods may affect device reliability. Device should not be operated outside the Recommended Operating Conditions.
- Device inputs are normally high impedance and draw extremely low current. However, when input voltage is greater than V_{CC} + 0.5 V or less than GND - 0.5 V, the internal protection diode will be forward biased and can draw excessive current.

Recommended Operating Conditions

| Parameter | Commercial | Industrial | Military | Units |
|--------------------------------|------------|------------|-------------|------------------|
| Temperature Range ¹ | 0 to +70 | -40 to +85 | -55 to +125 | °C |
| Power Supply Tolerance | ±5 | ±10 | ±10 | %V _{CC} |

Note:

- Ambient temperature (T_A) is used for commercial and industrial; case temperature (T_C) is used for military.

Electrical Specifications

| Symbol | Parameter | Commercial | | Commercial -F | | Industrial | | Military | | Units |
|--|---|--------------------------------------|-----------------------|---------------|-----------------------|------------|-----------------------|----------|-----------------------|-------|
| | | Min. | Max. | Min. | Max. | Min. | Max. | Min. | Max. | |
| V _{OH} ¹ | (I _{OH} = -10 mA) ² | 2.4 | | 2.4 | | | | | | V |
| | (I _{OH} = -6 mA) | 3.84 | | 3.84 | | | | | | V |
| | (I _{OH} = -4 mA) | | | | | 3.7 | | 3.7 | | V |
| V _{OL} ¹ | (I _{OL} = 10 mA) ² | | 0.5 | | 0.5 | | | | | V |
| | (I _{OL} = 6 mA) | | 0.33 | | 0.33 | 0.40 | | 0.40 | | V |
| V _{IL} | | -0.3 | 0.8 | -0.3 | 0.8 | -0.3 | 0.8 | -0.3 | 0.8 | V |
| V _{IH} | | 2.0 | V _{CC} + 0.3 | 2.0 | V _{CC} + 0.3 | 2.0 | V _{CC} + 0.3 | 2.0 | V _{CC} + 0.3 | V |
| Input Transition Time t _R , t _F ² | | | 500 | | 500 | | 500 | | 500 | ns |
| C _{IO} I/O Capacitance ^{2,3} | | | 10 | | 10 | | 10 | | 10 | pF |
| Standby Current, I _{CC} ⁴ (typical = 1 mA) | | | 1.5 | | 20 | | 10 | | 20 | mA |
| I _{CC(D)} Dynamic V _{CC} Supply Current | | See "Power Dissipation" on page 1-21 | | | | | | | | |

Notes:

- Only one output tested at a time. V_{CC} = min.
- Not tested, for information only.
- Includes worst-case 176 CPGA package capacitance. V_{OUT} = 0 V, f = 1 MHz.
- All outputs unloaded. All inputs = V_{CC} or GND, typical I_{CC} = 1 mA. I_{CC} limit includes I_{PP} and I_{SV} during normal operation.

3.3V Operating Conditions

Absolute Maximum Ratings¹

Free air temperature range

| Symbol | Parameter | Limits | Units |
|------------------|--------------------------------------|-------------------------------|-------|
| V _{CC} | DC Supply Voltage | -0.5 to +7.0 | V |
| V _I | Input Voltage | -0.5 to V _{CC} + 0.5 | V |
| V _O | Output Voltage | -0.5 to V _{CC} + 0.5 | V |
| I _{IO} | I/O Source Sink Current ² | ±20 | mA |
| T _{STG} | Storage Temperature | -65 to +150 | °C |

Notes:

1. Stresses beyond those listed under "Absolute Maximum Ratings" may cause permanent damage to the device. Exposure to absolute maximum rated conditions for extended periods may affect device reliability. Device should not be operated outside the Recommended Operating Conditions.
2. Device inputs are normally high impedance and draw extremely low current. However, when input voltage is greater than V_{CC} + 0.5 V or less than GND - 0.5 V, the internal protection diodes will forward bias and can draw excessive current.

Recommended Operating Conditions

| Parameter | Commercial | Units |
|--------------------------------|------------|-------|
| Temperature Range ¹ | 0 to +70 | °C |
| Power Supply Tolerance | ±5 | %V |

Note:

1. Ambient temperature (T_A) is used for commercial.

Electrical Specifications

| Parameter | Commercial | | Units |
|--|--------------------------------------|-----------------------|-------|
| | Min. | Max. | |
| V _{OH} ¹ | (I _{OH} = -4 mA) | 2.15 | V |
| | (I _{OH} = -3.2 mA) | 2.4 | V |
| V _{OL} ¹ | (I _{OL} = 6 mA) | 0.4 | V |
| V _{IL} | -0.3 | 0.8 | V |
| V _{IH} | 2.0 | V _{CC} + 0.3 | V |
| Input Transition Time t _R , t _F ² | | 500 | ns |
| C _{IO} I/O Capacitance ^{2, 3} | | 10 | pF |
| Standby Current, I _{CC} ⁴ (typical = 0.3 mA) | | 0.75 | mA |
| I _{CC(D)} Dynamic V _{CC} Supply Current | See "Power Dissipation" on page 1-21 | | |

Notes:

1. Only one output tested at a time. V_{CC} = min.
2. Not tested, for information only.
3. Includes worst-case 84-pin PLCC package capacitance. V_{OUT} = 0 V, f = 1 MHz.
4. Typical standby current = 0.3 mA. All outputs unloaded. All inputs = V_{CC} or GND.

Package Thermal Characteristics

The device junction to case thermal characteristic is θ_{jc} , and the junction to ambient air characteristic is θ_{ja} . The thermal characteristics for θ_{ja} are shown with two different air flow rates.

Maximum junction temperature is 150°C.

A sample calculation of the absolute maximum power dissipation allowed for a PQFP 160-pin package at commercial temperature is as follows:

$$\frac{\text{Max. junction temp. (°C)} - \text{Max. commercial temp.}}{\theta_{ja} \text{ (°C/W)}} = \frac{150^\circ\text{C} - 70^\circ\text{C}}{30^\circ\text{C/W}} = 2.6\text{W}$$

| Package Type | Pin Count | θ_{ja} | | Maximum Power Dissipation | |
|-----------------------------|-----------|---------------|------------|---------------------------|------------|
| | | Still Air | 300 ft/min | Still Air | 300 ft/min |
| Plastic Quad Flatpack | 160 | 36 °C/W | 30 °C/W | 2.2 W | 2.6 W |
| Plastic Quad Flatpack | 208 | 25 °C/W | 16.2 °C/W | 3.2 W | 4.9 W |
| Plastic Leaded Chip Carrier | 84 | 37 °C/W | 28 °C/W | 2.2 W | 2.9 W |
| Thin Quad Flatpack | 176 | 32 °C/W | 25 °C/W | 2.5 W | 3.2 W |
| Power Quad Flatpack | 208 | 16.8 °C/W | 11.4 °C/W | 4.8 W | 7.0 W |
| Power Quad Flatpack | 240 | 16.1 °C/W | 10.6 °C/W | 5.0 W | 7.5 W |
| Ball Grid Array | 240 | 14.0 °C/W | 10.0 °C/W | 5.7 W | 8.0 W |
| Ball Grid Array | 432 | 10.0 °C/W | 8.0 °C/W | 8.0 W | 10.0 W |

Power Dissipation

General Power Equation

$$P = [I_{CC\text{standby}} + I_{CC\text{active}}] * V_{CC} + I_{OL} * V_{OL} * N + I_{OH} * (V_{CC} - V_{OH}) * M$$

where:

$I_{CC\text{standby}}$ is the current flowing when no inputs or outputs are changing.

$I_{CC\text{active}}$ is the current flowing due to CMOS switching.

I_{OL} , I_{OH} are TTL sink/source currents.

V_{OL} , V_{OH} are TTL level output voltages.

N equals the number of outputs driving TTL loads to V_{OL} .

M equals the number of outputs driving TTL loads to V_{OH} .

An accurate determination of N and M is problematic because their values depend on the family type, design details, and on the system I/O. The power can be divided into two components: static and active.

Static Power Component

Actel FPGAs have small static power components that result in lower power dissipation than PALs or PLDs. By integrating multiple PALs/PLDs into one FPGA, an even greater reduction in board-level power dissipation can be achieved.

The power due to standby current is typically a small component of the overall power. Standby power is calculated below for commercial, worst case conditions.

| | | |
|----------|----------|---------|
| I_{CC} | V_{CC} | Power |
| 2 mA | 5.25 V | 10.5 mW |

The static power dissipation by TTL loads depends on the number of outputs driving high or low and the DC load current. Again, this number is typically small. For instance, a 32-bit bus sinking 4 mA at 0.33 V will generate 42 mW with all outputs driving low and 140 mW with all outputs driving high. The actual dissipation will average somewhere between as I/Os switch states with time.

Active Power Component

Power dissipation in CMOS devices is usually dominated by the active (dynamic) power dissipation. This component is frequency dependent, a function of the logic and the external I/O. Active power dissipation results from charging internal chip capacitances of the interconnect, unprogrammed antifuses, module inputs, and module outputs, plus external capacitance due to PC board traces and load device inputs. An additional component of the active power dissipation is the totem-pole current in the CMOS transistor pairs. The net effect can be associated with an equivalent capacitance that can be combined with frequency and voltage to represent active power dissipation.

Equivalent Capacitance

The power dissipated by a CMOS circuit can be expressed by Equation 1.

$$\text{Power } (\mu\text{W}) = C_{\text{EQ}} * V_{\text{CC}}^2 * F \quad (1)$$

where:

C_{EQ} is the equivalent capacitance expressed in picofarads (pF).

V_{CC} is power supply in volts (V).

F is the switching frequency in megahertz (MHz).

Equivalent capacitance is calculated by measuring I_{CCActive} at a specified frequency and voltage for each circuit component of interest. Measurements have been made over a range of frequencies at a fixed value of V_{CC} . Equivalent capacitance is frequency independent so that the results may be used over a wide range of operating conditions. Equivalent capacitance values are shown below.

C_{EQ} Values for Actel FPGAs

| | |
|---|------|
| Modules (C_{EQM}) | 5.2 |
| Input Buffers (C_{EQI}) | 11.6 |
| Output Buffers (C_{EQO}) | 23.8 |
| Routed Array Clock Buffer Loads (C_{EQCR}) | 3.5 |

To calculate the active power dissipated from the complete design, the switching frequency of each part of the logic must be known. Equation 2 shows a piece-wise linear summation over all components.

$$\begin{aligned} \text{Power} = & V_{\text{CC}}^2 * [(m * C_{\text{EQM}} * f_m)_{\text{Modules}} + \\ & (n * C_{\text{EQI}} * f_n)_{\text{Inputs}} + (p * (C_{\text{EQO}} + C_L) * f_p)_{\text{Outputs}} + \\ & 0.5 * (q_1 * C_{\text{EQCR}} * f_{q1})_{\text{routed_Clk1}} + (r_1 * f_{q1})_{\text{routed_Clk1}} + \\ & 0.5 * (q_2 * C_{\text{EQCR}} * f_{q2})_{\text{routed_Clk2}} + (r_2 * f_{q2})_{\text{routed_Clk2}} \quad (2) \end{aligned}$$

where:

- m = Number of logic modules switching at frequency f_m
- n = Number of input buffers switching at frequency f_n
- p = Number of output buffers switching at frequency f_p
- q_1 = Number of clock loads on the first routed array clock
- q_2 = Number of clock loads on the second routed array clock
- r_1 = Fixed capacitance due to first routed array clock
- r_2 = Fixed capacitance due to second routed array clock
- C_{EQM} = Equivalent capacitance of logic modules in pF
- C_{EQI} = Equivalent capacitance of input buffers in pF
- C_{EQO} = Equivalent capacitance of output buffers in pF
- C_{EQCR} = Equivalent capacitance of routed array clock in pF
- C_L = Output load capacitance in pF

- f_m = Average logic module switching rate in MHz
- f_n = Average input buffer switching rate in MHz
- f_p = Average output buffer switching rate in MHz
- f_{q1} = Average first routed array clock rate in MHz
- f_{q2} = Average second routed array clock rate in MHz

Fixed Capacitance Values for Actel FPGAs (pF)

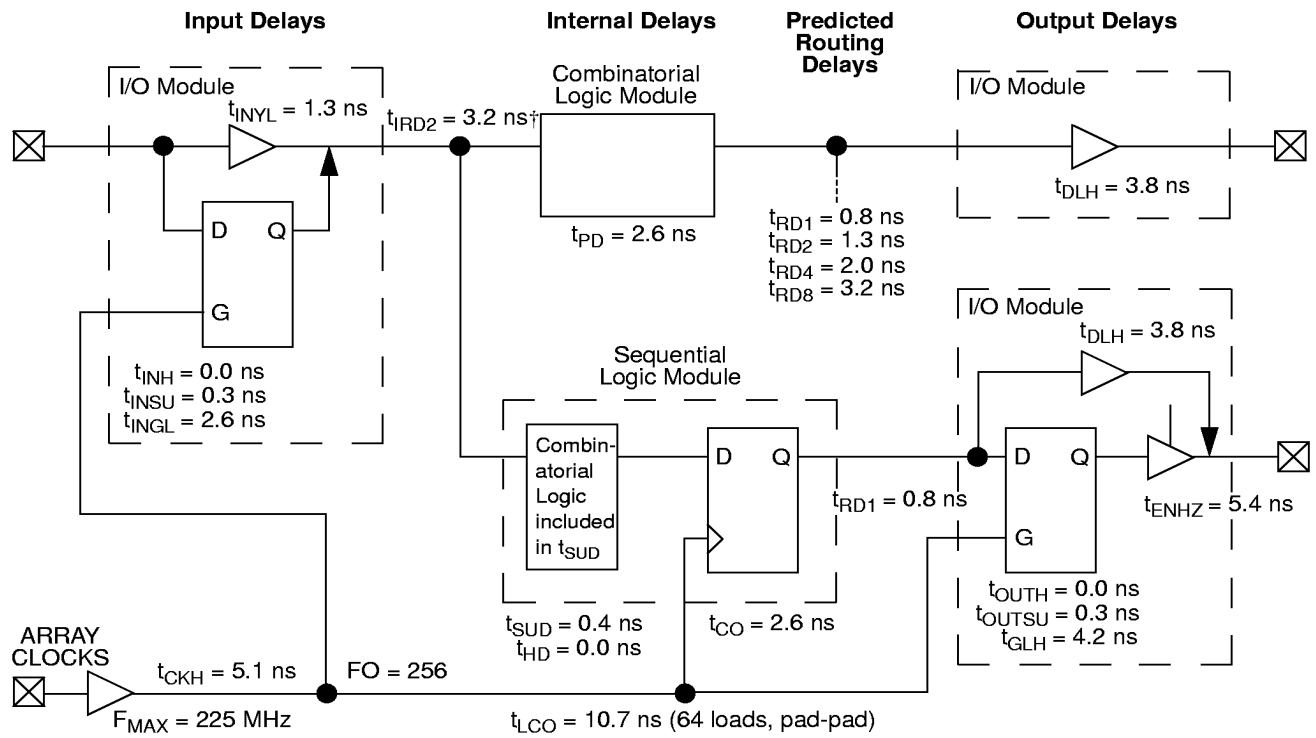
| Device Type | r_1 routed_Clk1 | r_2 routed_Clk2 |
|-------------|----------------------|----------------------|
| A1225XL | 106 | 106 |
| A1240XL | 134 | 134 |
| A3265DX | 158 | 158 |
| A1280XL | 168 | 168 |
| A32100DX | 178 | 178 |
| A32140DX | 190 | 190 |
| A32200DX | 230 | 230 |
| A32300DX | 285 | 285 |

Determining Average Switching Frequency

To determine the switching frequency for a design, you must have a detailed understanding of the data input values to the circuit. The following guidelines are meant to represent worst-case scenarios so that they can be generally used to predict the upper limits of power dissipation. These guidelines are as follows:

- Logic Modules (m) = 80% of combinatorial modules
- Inputs switching (n) = # of inputs/4
- Outputs switching (p) = # outputs/4
- First routed array clock loads (q_1) = 40% of sequential modules
- Second routed array clock loads (q_2) = 40% of sequential modules
- Load capacitance (C_L) = 35 pF
- Average logic module switching rate (f_m) = F/10
- Average input switching rate (f_n) = F/5
- Average output switching rate (f_p) = F/10
- Average first routed array clock rate (f_{q1}) = F
- Average second routed array clock rate (f_{q2}) = F/2

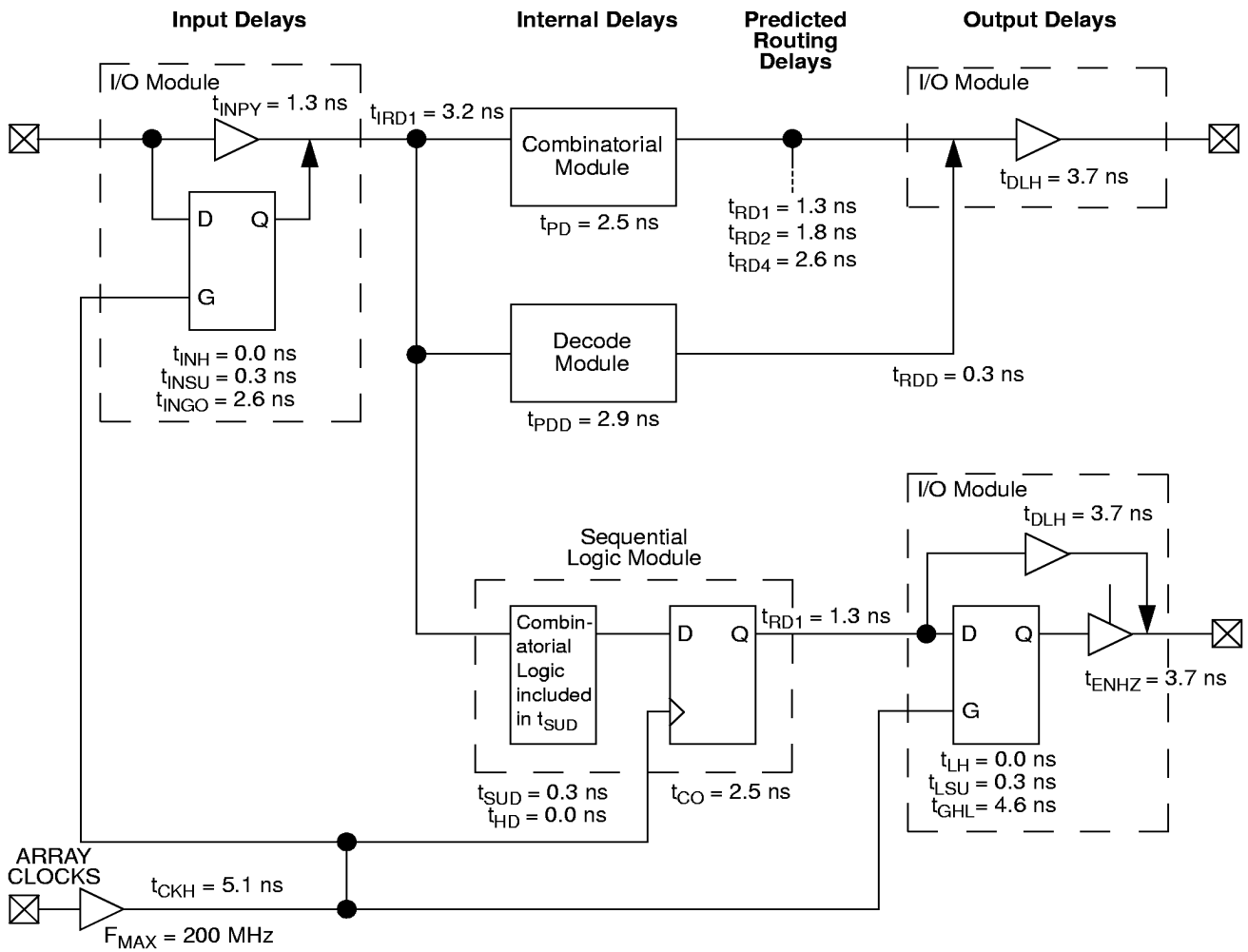
1200XL Timing Model*



*Values shown for A1225XL-2 at worst-case commercial conditions.

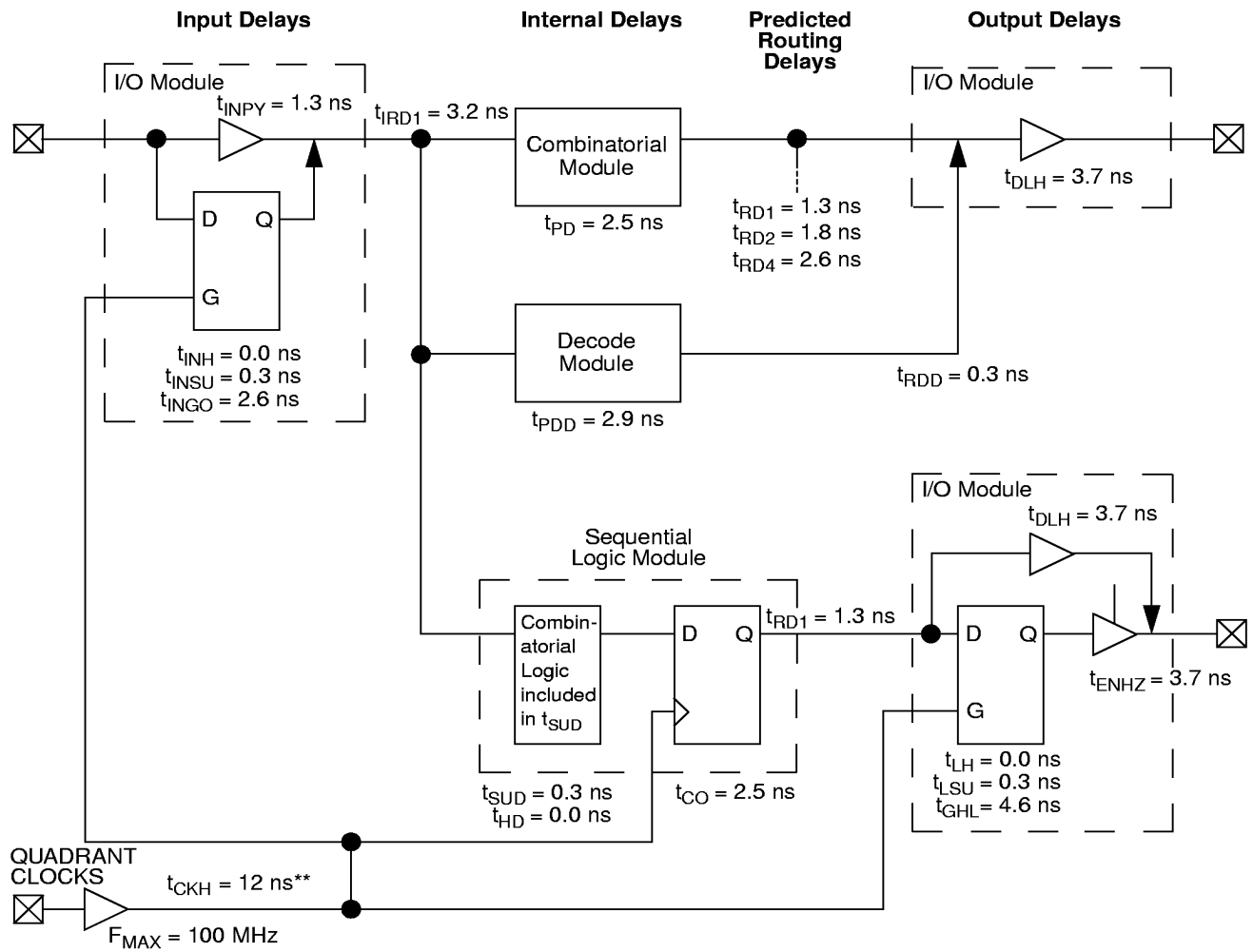
† Input Module Predicted Routing Delay

3200DX Timing Model (Logic Functions using Array Clocks)*



*Values shown for A3265DX-2 at worst-case commercial conditions.

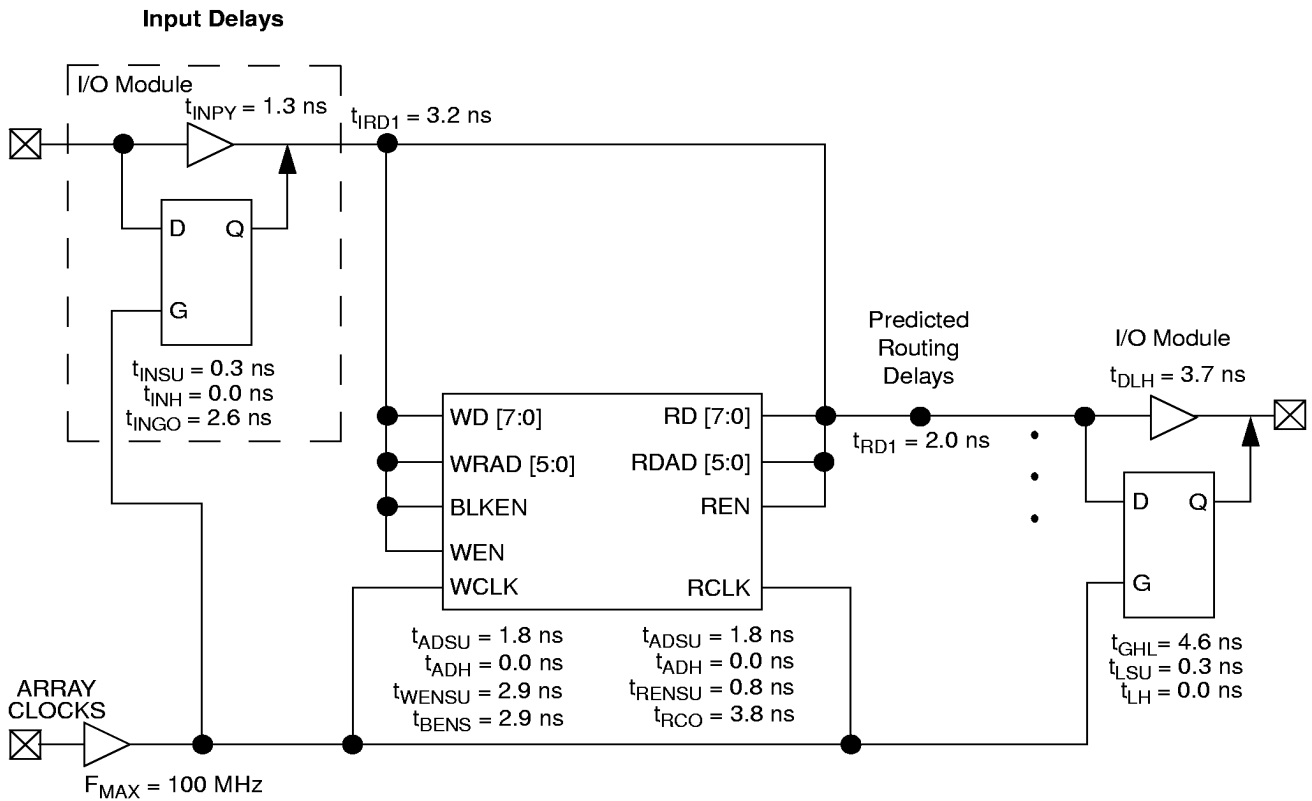
3200DX Timing Model (Logic Functions using Quadrant Clocks)*



* Preliminary values shown for A32200DX-2 at worst-case commercial conditions.

** Load dependent.

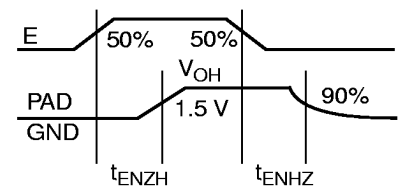
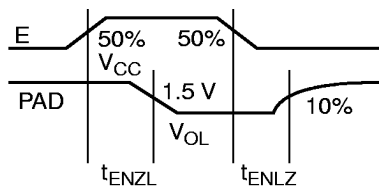
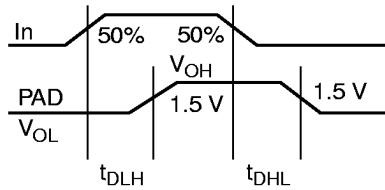
3200DX Timing Model (SRAM Functions)*



*Values shown for A32200DX-2 at worst-case commercial conditions.

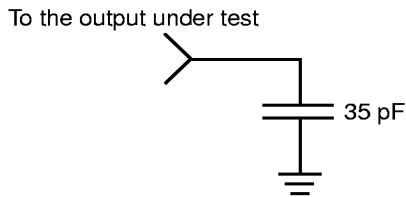
Parameter Measurement

Output Buffer Delays

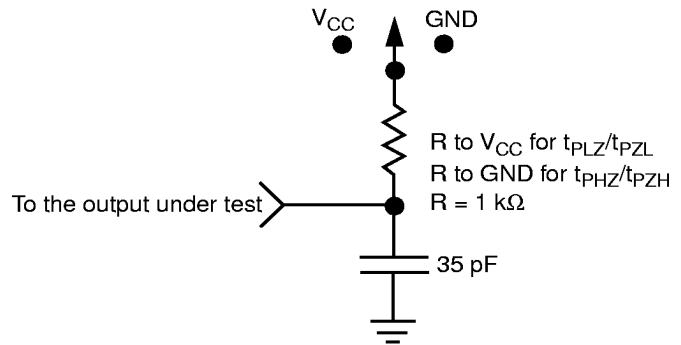


AC Test Loads

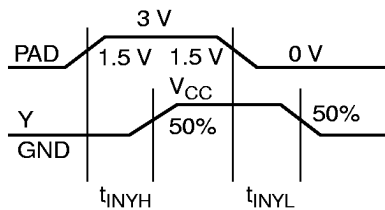
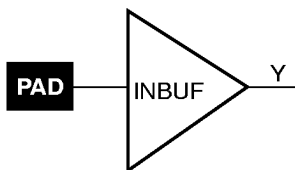
Load 1
(Used to measure propagation delay)



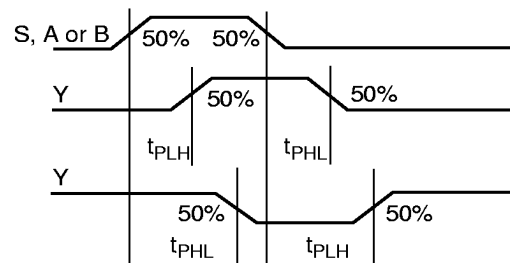
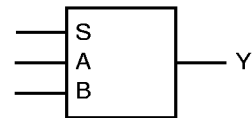
Load 2
(Used to measure rising/falling edges)



Input Buffer Delays

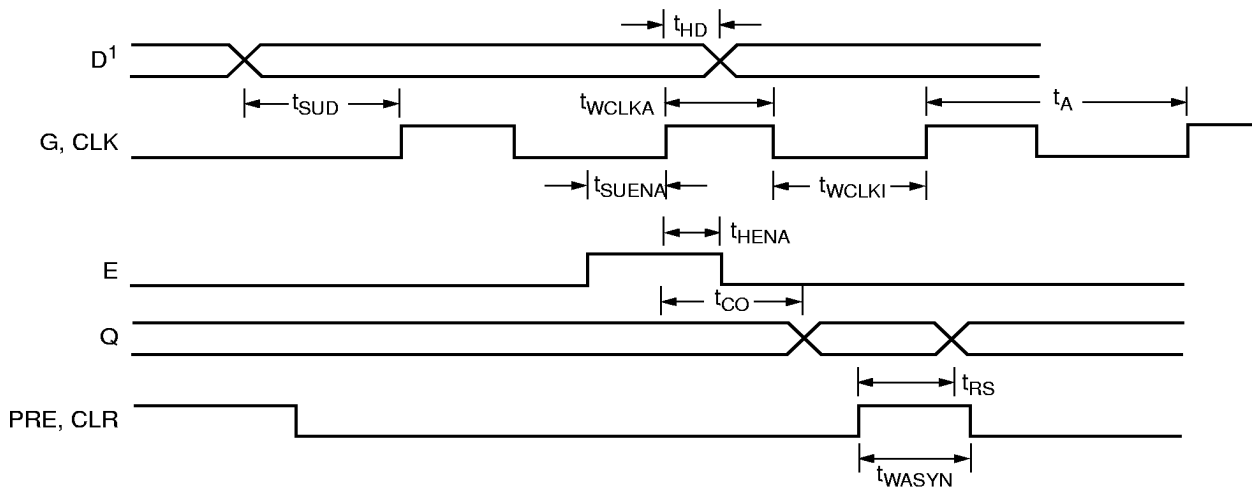
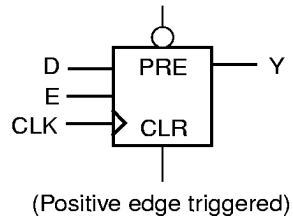


Module Delays



Sequential Module Timing Characteristics

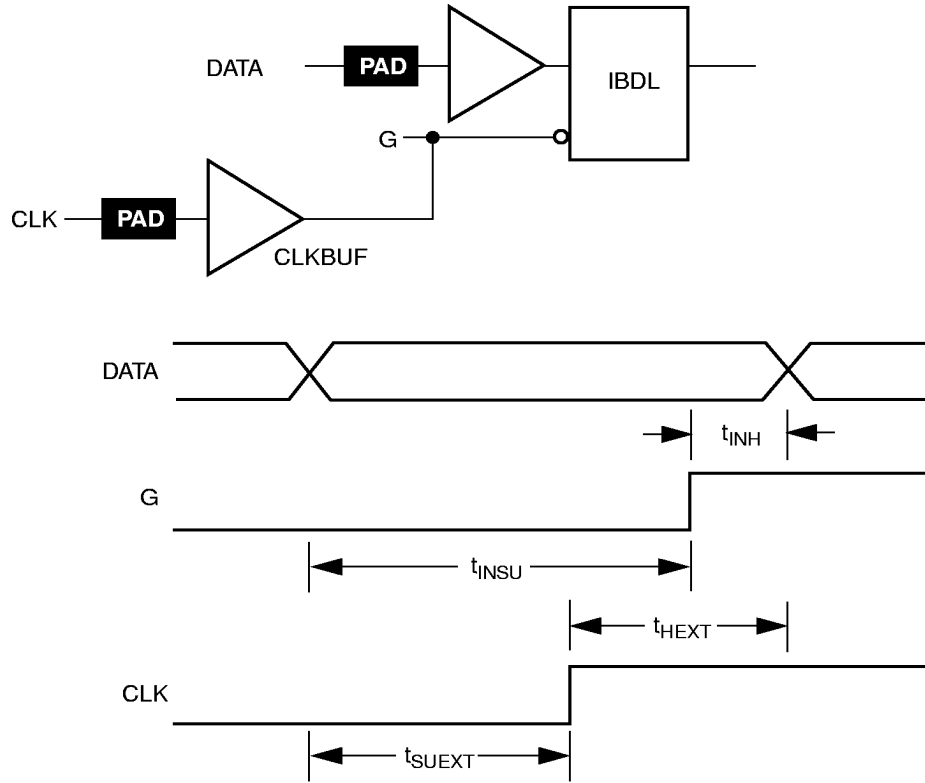
Flip-Flops and Latches



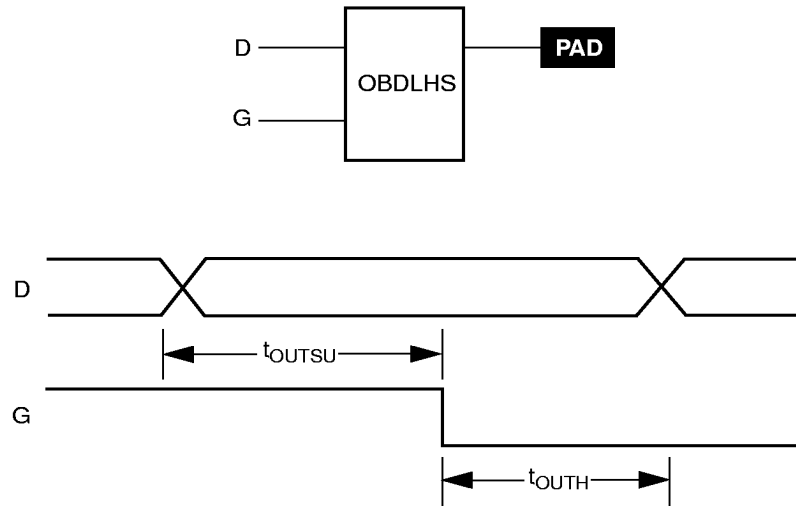
Note: D represents all data functions involving A, B, and S for multiplexed flip-flops.

Sequential Timing Characteristics (continued)

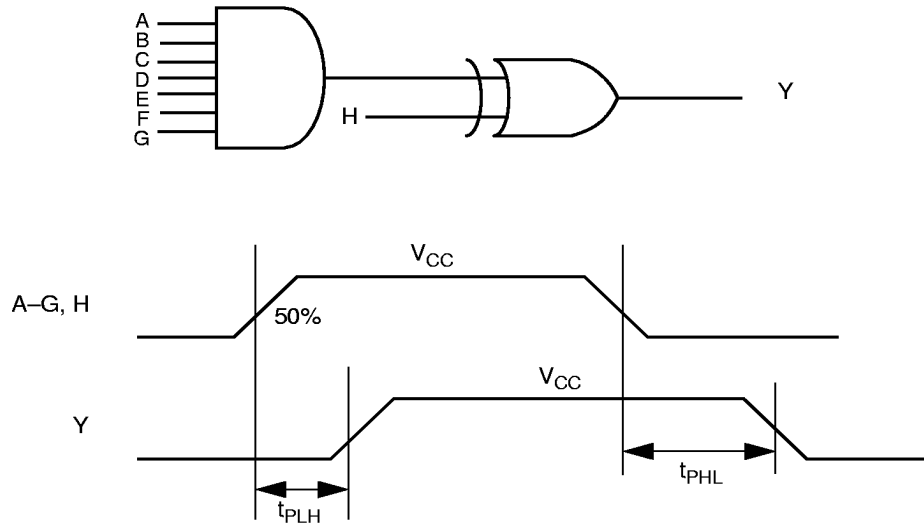
Input Buffer Latches



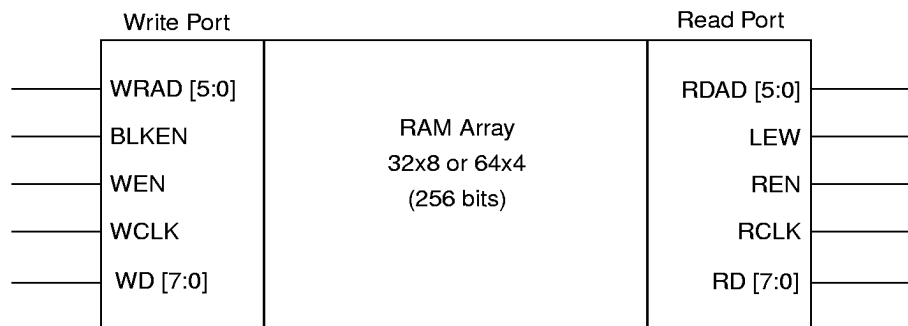
Output Buffer Latches



Decode Module Timing

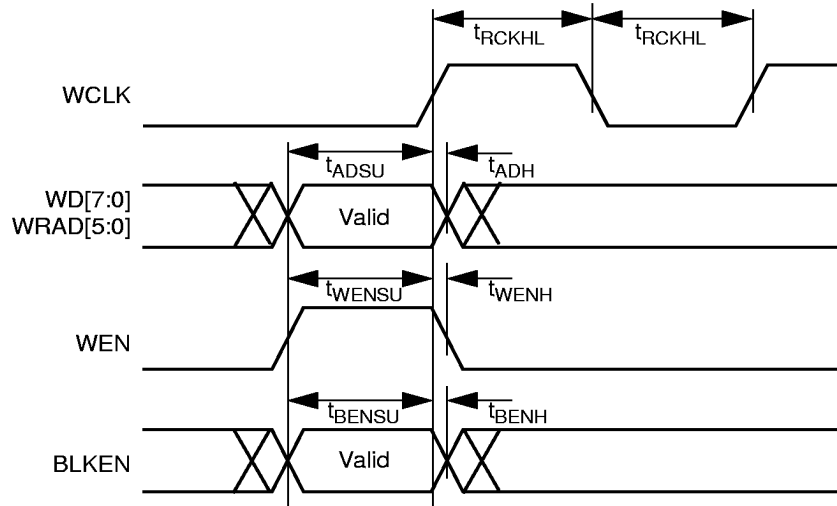


SRAM Timing Characteristics



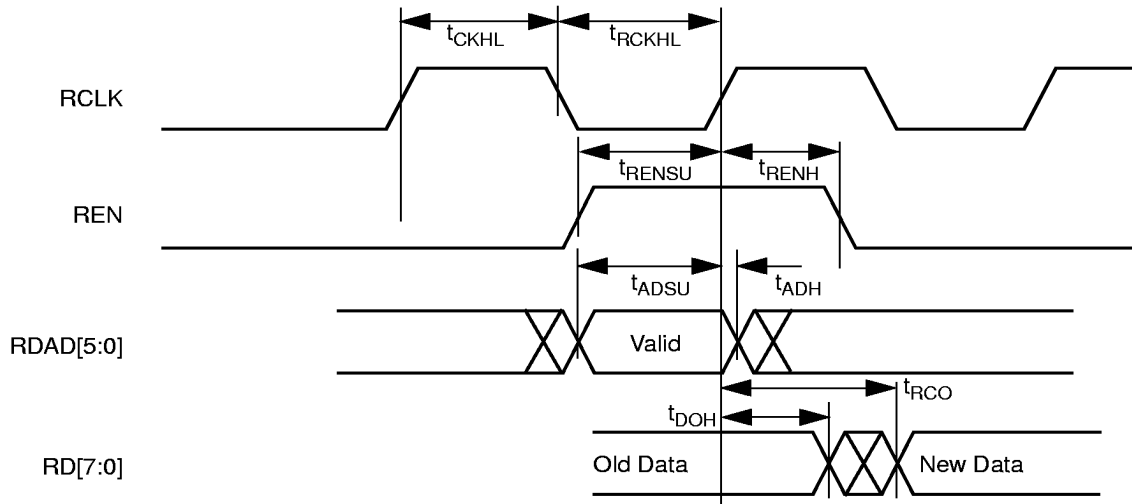
Dual-Port SRAM Timing Waveforms

3200DX SRAM Write Operation



Note: Identical timing for falling-edge clock.

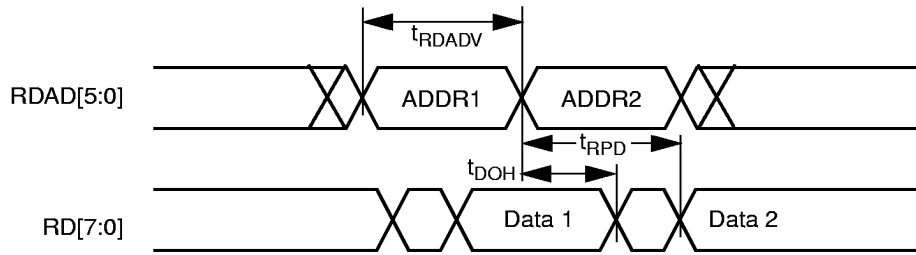
3200DX SRAM Synchronous Read Operation



Note: Identical timing for falling-edge clock.

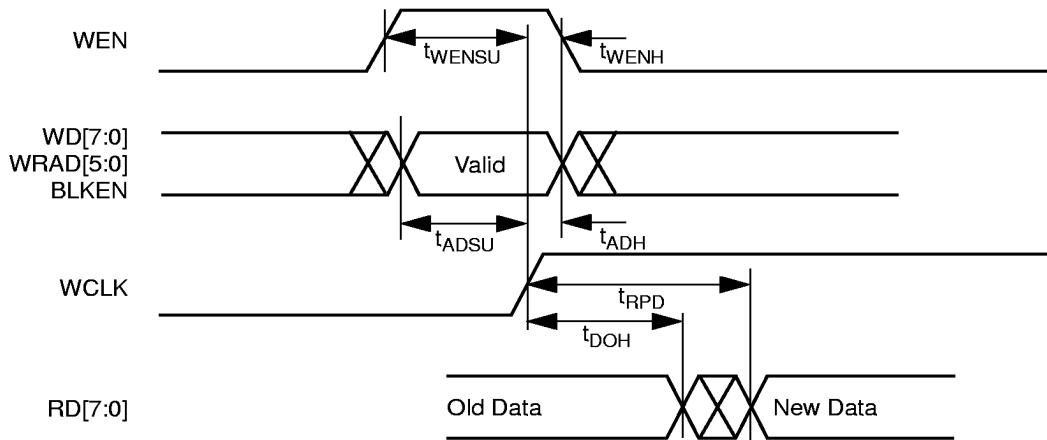
3200DX SRAM Asynchronous Read Operation—Type 1

(Read Address Controlled)



3200DX SRAM Asynchronous Read Operation—Type 2

(Write Address Controlled)



**Predictable Performance:
Tight Delay Distributions**

Propagation delay between logic modules depends on the resistive and capacitive loading of the routing tracks, the interconnect elements, and the module inputs being driven. Propagation delay increases as the length of routing tracks, the number of interconnect elements, or the number of inputs increases.

From a design perspective, the propagation delay can be statistically correlated or modeled by the fanout (number of loads) driven by a module. Higher fanout usually requires some paths to have longer routing tracks.

The Integrator Series delivers a very tight fanout delay distribution. This tight distribution is achieved in two ways: by decreasing the delay of the interconnect elements and by decreasing the number of interconnect elements per path.

Actel's patented PLICE antifuse offers a very low resistive/capacitive interconnect. The antifuses, fabricated in 0.6 micron lithography, offer nominal levels of 100 ohms resistance and 7.0 femtofarad (fF) capacitance per antifuse.

The Integrator Series fanout distribution is also tight due to the low number of antifuses required for each interconnect path. The proprietary architecture limits the number of antifuses per path to a maximum of four, with 90% of interconnects using two antifuses.

Timing Characteristics

Timing characteristics for devices fall into three categories: family dependent, device dependent, and design dependent. The input and output buffer characteristics are common to all Integrator Series members. Internal routing delays are device dependent. Design dependency means actual delays

are not determined until after placement and routing of the user's design is complete. Delay values may then be determined by using the Designer Series utility or performing simulation with post-layout delays.

Critical Nets and Typical Nets

Propagation delays are expressed only for typical nets, which are used for initial design performance evaluation. Since the architecture provides deterministic timing and abundant routing resources, Actel's Designer Series development tools offers DirectTime; a timing-driven place and route tool. Using DirectTime, the designer may specify timing-critical nets and system clock frequency. Using these timing specifications, the place and route software optimized the layout of the design to meet the user's specifications.

Long Tracks

Some nets in the design use long tracks. Long tracks are special routing resources that span multiple rows, columns, or modules. Long tracks employ three and sometimes four antifuse connections. This increases capacitance and resistance, resulting in longer net delays for macros connected to long tracks. Typically, up to 6% of nets in a fully utilized device require long tracks. Long tracks contribute approximately 3 ns to 6 ns delay. This additional delay is represented statistically in higher fanout (FO=8) routing delays in the data sheet specifications section.

Timing Derating

A best case timing derating factor of 0.45 is used to reflect best case processing. Note that this factor is relative to the "standard speed" timing parameters, and must be multiplied by the appropriate voltage and temperature derating factors for a given application.

Timing Derating Factor (Temperature and Voltage)

| | Industrial | | Military | |
|------------------------------|------------|------|----------|------|
| | Min. | Max. | Min. | Max. |
| (Commercial Specification) x | 0.69 | 1.11 | 0.67 | 1.23 |

Timing Derating Factor for Designs at Typical Temperature (T_J = 25°C) and Voltage (5.0 V)

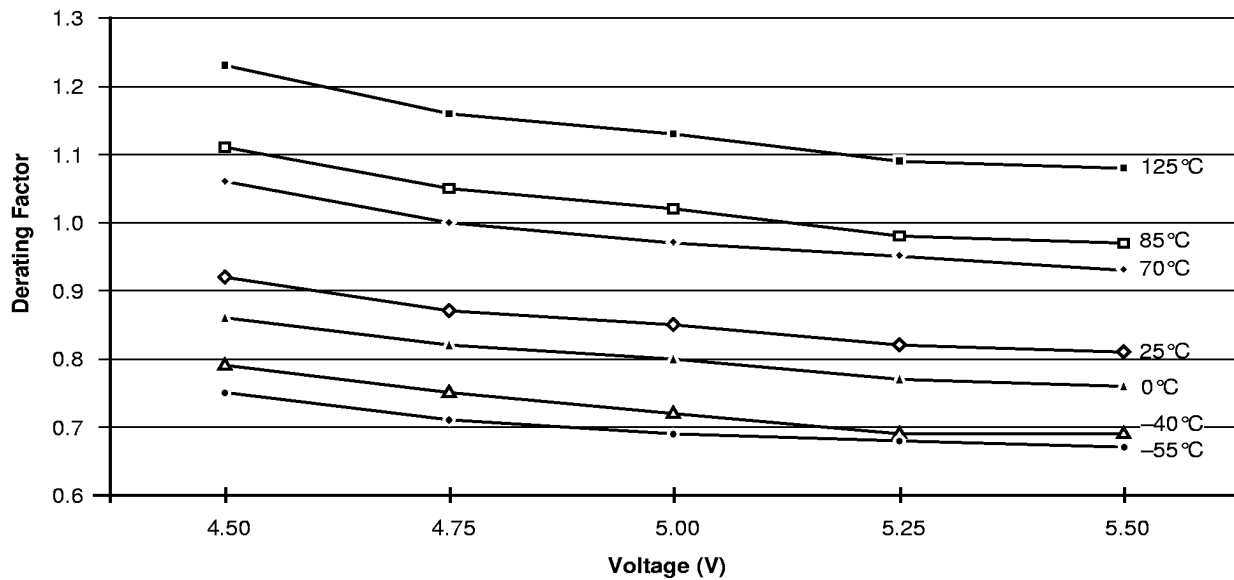
| | |
|---|------|
| (Maximum Specification, Worst-Case Condition) x | 0.85 |
|---|------|

Note: This derating factor applies to all routing and propagation delays.

Temperature and Voltage Derating Factors
 (normalized to Worst-Case Commercial, $T_J = 4.75 \text{ V}, 70^\circ\text{C}$)

| | -55 | -40 | 0 | 25 | 70 | 85 | 125 |
|------|------|------|------|------|------|------|------|
| 4.50 | 0.75 | 0.79 | 0.86 | 0.92 | 1.06 | 1.11 | 1.23 |
| 4.75 | 0.71 | 0.75 | 0.82 | 0.87 | 1.00 | 1.05 | 1.16 |
| 5.00 | 0.69 | 0.72 | 0.80 | 0.85 | 0.97 | 1.02 | 1.13 |
| 5.25 | 0.68 | 0.69 | 0.77 | 0.82 | 0.95 | 0.98 | 1.09 |
| 5.50 | 0.67 | 0.69 | 0.76 | 0.81 | 0.93 | 0.97 | 1.08 |

Junction Temperature and Voltage Derating Curves
 (normalized to Worst-Case Commercial, $T_J = 4.75 \text{ V}, 70^\circ\text{C}$)



Note: This derating factor applies to all routing and propagation delays.

A1225XL Timing Characteristics

(Worst-Case Commercial Conditions, $V_{CC} = 4.75\text{ V}$, $T_J = 70^\circ\text{C}$)

| Logic Module Propagation Delays ¹ | | ‘–2’ Speed | | ‘–1’ Speed | | ‘Std’ Speed | | ‘–F’ Speed | | 3.3V Speed ⁵ | | |
|--|--|------------|-------|------------|-------|-------------|-------|------------|-------|-------------------------|-------|-------|
| Parameter | Description | Min. | Max. | Min. | Max. | Min. | Max. | Min. | Max. | Min. | Max. | Units |
| t_{PD1} | Single Module | | 2.6 | | 3.0 | | 3.5 | | 5.0 | | 4.2 | ns |
| t_{CO} | Sequential Clk to Q | | 2.6 | | 3.0 | | 3.5 | | 5.0 | | 4.2 | ns |
| t_{GO} | Latch G to Q | | 2.6 | | 3.0 | | 3.5 | | 5.0 | | 4.2 | ns |
| t_{RS} | Flip-Flop (Latch) Reset to Q | | 2.6 | | 3.0 | | 3.5 | | 5.0 | | 4.2 | ns |
| Predicted Routing Delays ² | | | | | | | | | | | | |
| t_{RD1} | FO=1 Routing Delay | | 0.8 | | 0.9 | | 1.1 | | 1.57 | | 1.3 | ns |
| t_{RD2} | FO=2 Routing Delay | | 1.3 | | 1.4 | | 1.7 | | 2.43 | | 2.0 | ns |
| t_{RD3} | FO=3 Routing Delay | | 1.7 | | 1.8 | | 2.2 | | 3.15 | | 2.6 | ns |
| t_{RD4} | FO=4 Routing Delay | | 2.0 | | 2.3 | | 2.7 | | 3.86 | | 3.2 | ns |
| t_{RD8} | FO=8 Routing Delay | | 3.2 | | 3.5 | | 4.2 | | 6.00 | | 5.0 | ns |
| Sequential Timing Characteristics ^{3,4} | | | | | | | | | | | | |
| t_{SUD} | Flip-Flop (Latch) Data Input Setup | 0.4 | | 0.4 | | 0.5 | | 0.7 | | 0.6 | | ns |
| t_{HD} | Flip-Flop (Latch) Data Input Hold | 0.0 | | 0.0 | | 0.0 | | 0.0 | | 0.0 | | ns |
| t_{SUENA} | Flip-Flop (Latch) Enable Setup | 0.8 | | 0.9 | | 1.0 | | 1.4 | | 1.2 | | ns |
| t_{HENA} | Flip-Flop (Latch) Enable Hold | 0.0 | | 0.0 | | 0.0 | | 0.0 | | 0.0 | | ns |
| t_{WCLKA} | Flip-Flop (Latch) Clock Active Pulse Width | 3.2 | | 3.6 | | 4.3 | | 6.1 | | 5.2 | | ns |
| t_{WASYN} | Flip-Flop (Latch) Asynchronous Pulse Width | 3.2 | | 3.6 | | 4.3 | | 6.1 | | 5.2 | | ns |
| t_A | Flip-Flop Clock Input Period | 6.5 | | 7.4 | | 8.7 | | 12.4 | | 10.4 | | ns |
| t_{INH} | Input Buffer Latch Hold | 0.0 | | 0.0 | | 0.0 | | 0.0 | | 0.0 | | ns |
| t_{INSU} | Input Buffer Latch Setup | 0.3 | | 0.4 | | 0.4 | | 0.6 | | 0.5 | | ns |
| t_{OUTH} | Output Buffer Latch Hold | 0.0 | | 0.0 | | 0.0 | | 0.0 | | 0.0 | | ns |
| t_{OUTSU} | Output Buffer Latch Setup | 0.3 | | 0.4 | | 0.4 | | 0.6 | | 0.5 | | ns |
| f_{MAX} | Flip-Flop (Latch) Clock Frequency | | 225.0 | | 200.0 | | 170.0 | | 120.0 | | 115.0 | MHz |

Notes:

- For dual-module macros, use $t_{PD1} + t_{RD1} + t_{PDn}$, $t_{CO} + t_{RD1} + t_{PDn}$ or $t_{PD1} + t_{RD1} + t_{SUD}$, whichever is appropriate.
- Routing delays are for typical designs across worst-case operating conditions. These parameters should be used for estimating device performance. Post-route timing analysis or simulation is required to determine actual worst-case performance. Post-route timing is based on actual routing delay measurements performed on the device prior to shipment.
- Data applies to macros based on the S-module. Timing parameters for sequential macros constructed from C-modules can be obtained from the DirectTime Analyzer utility.
- Setup and hold timing parameters for the Input Buffer Latch are defined with respect to the PAD and the D input. External setup/hold timing parameters must account for delay from an external PAD signal to the G inputs. Delay from an external PAD signal to the G input subtracts (adds) to the internal setup (hold) time.
- $V_{CC} = 3.0\text{ V}$ for 3.3V specifications.

A1225XL Timing Characteristics (continued)

(Worst-Case Commercial Conditions)

| Input Module Propagation Delays | | | '-2' Speed | | '-1' Speed | | 'Std' Speed | | '-F' Speed | | 3.3V Speed | | |
|--|----------------------------|----------|------------|-------|------------|-------|-------------|-------|------------|-------|------------|-------|-------|
| Parameter | Description | | Min. | Max. | Min. | Max. | Min. | Max. | Min. | Max. | Min. | Max. | Units |
| t _{INYH} | Pad to Y High | | | 1.1 | | 1.2 | | 1.4 | | 2.0 | | 1.7 | ns |
| t _{INYL} | Pad to Y Low | | | 1.3 | | 1.4 | | 1.7 | | 2.4 | | 2.0 | ns |
| t _{INGH} | G to Y High | | | 2.0 | | 2.3 | | 2.7 | | 3.9 | | 3.2 | ns |
| t _{INGL} | G to Y Low | | | 2.6 | | 3.0 | | 3.5 | | 5.0 | | 4.2 | ns |
| Input Module Predicted Routing Delays¹ | | | | | | | | | | | | | |
| t _{IRD1} | FO=1 Routing Delay | | | 2.9 | | 3.3 | | 3.9 | | 5.6 | | 4.7 | ns |
| t _{IRD2} | FO=2 Routing Delay | | | 3.2 | | 3.6 | | 4.3 | | 6.1 | | 5.2 | ns |
| t _{IRD3} | FO=3 Routing Delay | | | 3.8 | | 4.2 | | 5.0 | | 7.2 | | 6.0 | ns |
| t _{IRD4} | FO=4 Routing Delay | | | 4.1 | | 4.6 | | 5.4 | | 7.7 | | 6.5 | ns |
| t _{IRD8} | FO=8 Routing Delay | | | 5.2 | | 5.9 | | 6.9 | | 9.9 | | 8.3 | ns |
| Global Clock Network | | | | | | | | | | | | | |
| t _{CKH} | Input Low to High | FO = 32 | | 5.1 | | 5.8 | | 6.8 | | 9.7 | | 8.2 | ns |
| | | FO = 256 | | 5.7 | | 6.5 | | 7.6 | | 10.9 | | 9.1 | |
| t _{CKL} | Input High to Low | FO = 32 | | 5.0 | | 5.7 | | 6.7 | | 9.6 | | 8.0 | ns |
| | | FO = 256 | | 5.7 | | 6.5 | | 7.6 | | 10.9 | | 9.1 | |
| t _{PWH} | Minimum Pulse Width High | FO = 32 | 2.6 | | 3.0 | | 3.5 | | 5.0 | | 4.2 | ns | |
| | | FO = 256 | 2.7 | | 3.1 | | 3.6 | | 5.1 | | 4.3 | | |
| t _{PWL} | Minimum Pulse Width Low | FO = 32 | 2.6 | | 3.0 | | 3.5 | | 5.0 | | 4.2 | ns | |
| | | FO = 256 | 2.7 | | 3.1 | | 3.6 | | 5.1 | | 4.3 | | |
| t _{CKSW} | Maximum Skew | FO = 32 | | 0.8 | | 0.9 | | 1.0 | | 1.4 | | 1.2 | ns |
| | | FO = 256 | | 0.8 | | 0.9 | | 1.0 | | 1.4 | | 1.2 | |
| t _{SUEXT} | Input Latch External Setup | FO = 32 | 0.0 | | 0.0 | | 0.0 | | 0.0 | | 0.0 | ns | |
| | | FO = 256 | 0.0 | | 0.0 | | 0.0 | | 0.0 | | 0.0 | | |
| t _{HEXT} | Input Latch External Hold | FO = 32 | 2.6 | | 2.9 | | 3.4 | | 4.9 | | 4.1 | ns | |
| | | FO = 256 | 3.2 | | 3.7 | | 4.3 | | 6.1 | | 5.2 | | |
| t _P | Minimum Period | FO = 32 | 5.4 | | 6.1 | | 7.2 | | 10.3 | | 8.6 | ns | |
| | | FO = 256 | 5.6 | | 6.3 | | 7.4 | | 10.6 | | 8.9 | | |
| f _{MAX} | Maximum Frequency | FO = 32 | | 225.0 | | 200.0 | | 170.0 | | 120.0 | | 115.0 | MHz |
| | | FO = 256 | | 200.0 | | 180.0 | | 155.0 | | 105.0 | | 105.0 | |

Note:

1. These parameters should be used for estimating device performance. Optimization techniques may further reduce delays by 0 to 3 ns. Routing delays are for typical designs across worst-case operating conditions. Post-route timing analysis or simulation is required to determine actual worst-case performance. Post-route timing is based on actual routing delay measurements performed on the device prior to shipment.

A1225XL Timing Characteristics (continued)

(Worst-Case Commercial Conditions)

| Output Module Timing | | ‘-2’ Speed | | ‘-1’ Speed | | ‘Std’ Speed | | ‘-F’ Speed | | 3.3V Speed | | |
|--|---|------------|------|------------|------|-------------|------|------------|------|------------|------|-------|
| Parameter | Description | Min. | Max. | Min. | Max. | Min. | Max. | Min. | Max. | Min. | Max. | Units |
| TTL Output Module Timing¹ | | | | | | | | | | | | |
| t _{DLH} | Data to Pad High | | 3.8 | | 4.3 | | 5.0 | | 7.1 | | 6.0 | ns |
| t _{DHL} | Data to Pad Low | | 4.1 | | 4.6 | | 5.4 | | 7.7 | | 6.5 | ns |
| t _{ENZH} | Enable Pad Z to High | | 3.8 | | 4.3 | | 5.0 | | 7.1 | | 6.0 | ns |
| t _{ENZL} | Enable Pad Z to Low | | 4.1 | | 4.7 | | 5.5 | | 7.9 | | 6.5 | ns |
| t _{ENHZ} | Enable Pad High to Z | | 5.4 | | 6.1 | | 7.2 | | 10.3 | | 8.6 | ns |
| t _{ENLZ} | Enable Pad Low to Z | | 5.4 | | 6.1 | | 7.2 | | 10.3 | | 8.6 | ns |
| t _{GLH} | G to Pad High | | 4.2 | | 4.8 | | 5.6 | | 8.0 | | 6.7 | ns |
| t _{GHL} | G to Pad Low | | 4.7 | | 5.4 | | 6.3 | | 9.0 | | 7.6 | ns |
| t _{LCO} | I/O Latch Clock-Out (pad-to-pad), 64 clock loading | | 9.0 | | 10.0 | | 12.0 | | 17.2 | | 14.4 | ns |
| t _{ACO} | Array Clock-Out (pad-to-pad), 64 clock loading | | 12.8 | | 14.4 | | 17.0 | | 24.3 | | 20.4 | ns |
| d _{TLH} | Capacitive Loading, Low to High | | 0.04 | | 0.04 | | 0.05 | | 0.06 | | 0.06 | ns/pF |
| d _{THL} | Capacitive Loading, High to Low | | 0.05 | | 0.06 | | 0.07 | | 0.08 | | 0.08 | ns/pF |
| CMOS Output Module Timing¹ | | | | | | | | | | | | |
| t _{DLH} | Data to Pad High | | 4.8 | | 5.4 | | 6.4 | | 9.1 | | 7.7 | ns |
| t _{DHL} | Data to Pad Low | | 3.4 | | 3.8 | | 4.5 | | 6.4 | | 5.4 | ns |
| t _{ENZH} | Enable Pad Z to High | | 3.8 | | 4.3 | | 5.0 | | 7.1 | | 6.0 | ns |
| t _{ENZL} | Enable Pad Z to Low | | 4.1 | | 4.7 | | 5.5 | | 7.9 | | 6.6 | ns |
| t _{ENHZ} | Enable Pad High to Z | | 5.4 | | 6.1 | | 7.2 | | 10.3 | | 8.6 | ns |
| t _{ENLZ} | Enable Pad Low to Z | | 5.4 | | 6.1 | | 7.2 | | 10.3 | | 8.6 | ns |
| t _{GLH} | G to Pad High | | 4.2 | | 4.8 | | 5.6 | | 8.0 | | 6.7 | ns |
| t _{GHL} | G to Pad Low | | 4.7 | | 5.4 | | 6.3 | | 9.0 | | 7.6 | ns |
| t _{LCO} | I/O Latch Clock-Out (pad-to-pad), 64 clock loading | | 10.7 | | 11.8 | | 14.2 | | 20.3 | | 17.0 | ns |
| t _{ACO} | Array Clock-Out (pad-to-pad), 64 clock loading | | 15.0 | | 17.0 | | 20.0 | | 28.6 | | 24.0 | ns |
| d _{TLH} | Capacitive Loading, Low to High | | 0.05 | | 0.06 | | 0.07 | | 0.08 | | 0.08 | ns/pF |
| d _{THL} | Capacitive Loading, High to Low | | 0.05 | | 0.05 | | 0.06 | | 0.07 | | 0.07 | ns/pF |

Notes:

1. Delays based on 35 pF loading.
2. SSO information can be found in the “Simultaneously Switching Output Limits for Actel FPGAs” application note on page 4-125.

A1240XL Timing Characteristics

(Worst-Case Commercial Conditions, $V_{CC} = 4.75\text{ V}$, $T_J = 70^\circ\text{C}$)

| Logic Module Propagation Delays ¹ | | '-2' Speed | | '-1' Speed | | 'Std' Speed | | '-F' Speed | | 3.3V Speed ⁵ | | |
|---|--|------------|-------|------------|-------|-------------|-------|------------|-------|-------------------------|-------|-------|
| Parameter | Description | Min. | Max. | Min. | Max. | Min. | Max. | Min. | Max. | Min. | Max. | Units |
| t_{PD1} | Single Module | | 2.6 | | 3.0 | | 3.5 | | 5.0 | | 4.2 | ns |
| t_{CO} | Sequential Clk to Q | | 2.6 | | 3.0 | | 3.5 | | 5.0 | | 4.2 | ns |
| t_{GO} | Latch G to Q | | 2.6 | | 3.0 | | 3.5 | | 5.0 | | 4.2 | ns |
| t_{RS} | Flip-Flop (Latch) Reset to Q | | 2.6 | | 3.0 | | 3.5 | | 5.0 | | 4.2 | ns |
| Predicted Routing Delays² | | | | | | | | | | | | |
| t_{RD1} | FO=1 Routing Delay | | 1.1 | | 1.2 | | 1.4 | | 2.0 | | 1.7 | ns |
| t_{RD2} | FO=2 Routing Delay | | 1.3 | | 1.4 | | 1.7 | | 2.4 | | 2.0 | ns |
| t_{RD3} | FO=3 Routing Delay | | 1.7 | | 1.9 | | 2.2 | | 3.1 | | 2.6 | ns |
| t_{RD4} | FO=4 Routing Delay | | 2.3 | | 2.6 | | 3.0 | | 4.3 | | 3.6 | ns |
| t_{RD8} | FO=8 Routing Delay | | 3.4 | | 3.8 | | 4.5 | | 6.4 | | 5.4 | ns |
| Sequential Timing Characteristics^{3, 4} | | | | | | | | | | | | |
| t_{SUD} | Flip-Flop (Latch) Data Input Setup | 0.4 | | 0.4 | | 0.5 | | 0.7 | | 0.6 | | ns |
| t_{HD} | Flip-Flop (Latch) Data Input Hold | 0.0 | | 0.0 | | 0.0 | | 0.0 | | 0.0 | | ns |
| t_{SUENA} | Flip-Flop (Latch) Enable Setup | 0.8 | | 0.9 | | 1.0 | | 1.4 | | 1.2 | | ns |
| t_{HENA} | Flip-Flop (Latch) Enable Hold | 0.0 | | 0.0 | | 0.0 | | 0.0 | | 0.0 | | ns |
| t_{WCLKA} | Flip-Flop (Latch) Clock Active Pulse Width | 3.4 | | 3.8 | | 4.5 | | 6.4 | | 5.4 | | ns |
| t_{WASYN} | Flip-Flop (Latch) Asynchronous Pulse Width | 3.4 | | 3.8 | | 4.5 | | 6.4 | | 5.4 | | ns |
| t_A | Flip-Flop Clock Input Period | 6.8 | | 7.7 | | 9.1 | | 13.0 | | 10.9 | | ns |
| t_{INH} | Input Buffer Latch Hold | 0.0 | | 0.0 | | 0.0 | | 0.0 | | 0.0 | | ns |
| t_{INSU} | Input Buffer Latch Setup | 0.3 | | 0.4 | | 0.4 | | 0.6 | | 0.5 | | ns |
| t_{OUTH} | Output Buffer Latch Hold | 0.0 | | 0.0 | | 0.0 | | 0.0 | | 0.0 | | ns |
| t_{OUTSU} | Output Buffer Latch Setup | 0.3 | | 0.4 | | 0.4 | | 0.6 | | 0.5 | | ns |
| f_{MAX} | Flip-Flop (Latch) Clock Frequency | | 215.0 | | 190.0 | | 160.0 | | 110.0 | | 105.0 | MHz |

Notes:

- For dual-module macros, use $t_{PD1} + t_{RD1} + t_{PDn}$, $t_{CO} + t_{RD1} + t_{PDn}$ or $t_{PD1} + t_{RD1} + t_{SUD}$, whichever is appropriate.
- Routing delays are for typical designs across worst-case operating conditions. These parameters should be used for estimating device performance. Post-route timing analysis or simulation is required to determine actual worst-case performance. Post-route timing is based on actual routing delay measurements performed on the device prior to shipment.
- Data applies to macros based on the S-module. Timing parameters for sequential macros constructed from C-modules can be obtained from the DirectTime Analyzer utility.
- Setup and hold timing parameters for the Input Buffer Latch are defined with respect to the PAD and the D input. External setup/hold timing parameters must account for delay from an external PAD signal to the G inputs. Delay from an external PAD signal to the G input subtracts (adds) to the internal setup (hold) time.
- $V_{CC} = 3.0\text{ V}$ for 3.3V specifications.

A1240XL Timing Characteristics (continued)

(Worst-Case Commercial Conditions)

| Input Module Propagation Delays | | | ‘-2’ Speed | | ‘-1’ Speed | | ‘Std’ Speed | | ‘-F’ Speed | | 3.3V Speed | | |
|--|----------------------------|----------|------------|-------|------------|-------|-------------|-------|------------|-------|------------|-------|-------|
| Parameter | Description | | Min. | Max. | Min. | Max. | Min. | Max. | Min. | Max. | Min. | Max. | Units |
| t _{INYH} | Pad to Y High | | | 1.1 | | 1.2 | | 1.4 | | 2.0 | | 1.7 | ns |
| t _{INYL} | Pad to Y Low | | | 1.3 | | 1.4 | | 1.7 | | 2.4 | | 2.0 | ns |
| t _{INGH} | G to Y High | | | 2.0 | | 2.3 | | 2.7 | | 3.9 | | 3.2 | ns |
| t _{INGL} | G to Y Low | | | 2.6 | | 3.0 | | 3.5 | | 5.0 | | 4.2 | ns |
| Input Module Predicted Routing Delays ¹ | | | | | | | | | | | | | |
| t _{IRD1} | FO=1 Routing Delay | | | 2.9 | | 3.3 | | 3.9 | | 5.6 | | 4.7 | ns |
| t _{IRD2} | FO=2 Routing Delay | | | 3.4 | | 3.8 | | 4.5 | | 6.4 | | 5.4 | ns |
| t _{IRD3} | FO=3 Routing Delay | | | 3.8 | | 4.3 | | 5.1 | | 7.3 | | 6.1 | ns |
| t _{IRD4} | FO=4 Routing Delay | | | 4.1 | | 4.7 | | 5.5 | | 7.9 | | 6.6 | ns |
| t _{IRD8} | FO=8 Routing Delay | | | 5.6 | | 6.3 | | 7.4 | | 10.6 | | 8.9 | ns |
| Global Clock Network | | | | | | | | | | | | | |
| t _{CKH} | Input Low to High | FO = 32 | | 5.1 | | 5.8 | | 6.8 | | 9.7 | | 8.2 | ns |
| | | FO = 256 | | 5.7 | | 6.5 | | 7.6 | | 10.9 | | 9.1 | ns |
| t _{CKL} | Input High to Low | FO = 32 | | 5.0 | | 5.7 | | 6.7 | | 9.6 | | 8.0 | ns |
| | | FO = 256 | | 5.7 | | 6.5 | | 7.6 | | 10.9 | | 9.1 | ns |
| t _{PWH} | Minimum Pulse Width High | FO = 32 | | 2.7 | | 3.1 | | 3.6 | | 5.1 | | 4.3 | ns |
| | | FO = 256 | | 2.9 | | 3.3 | | 3.9 | | 5.6 | | 4.7 | ns |
| t _{PWL} | Minimum Pulse Width Low | FO = 32 | | 2.7 | | 3.1 | | 3.6 | | 5.1 | | 4.3 | ns |
| | | FO = 256 | | 2.9 | | 3.3 | | 3.9 | | 5.6 | | 4.7 | ns |
| t _{CKSW} | Maximum Skew | FO = 32 | | 0.8 | | 0.9 | | 1.0 | | 1.4 | | 1.2 | ns |
| | | FO = 256 | | 0.8 | | 0.9 | | 1.0 | | 1.4 | | 1.2 | ns |
| t _{SUEXT} | Input Latch External Setup | FO = 32 | | 0.0 | | 0.0 | | 0.0 | | 0.0 | | 0.0 | ns |
| | | FO = 256 | | 0.0 | | 0.0 | | 0.0 | | 0.0 | | 0.0 | ns |
| t _{HEXT} | Input Latch External Hold | FO = 32 | | 2.6 | | 2.9 | | 3.4 | | 4.9 | | 4.1 | ns |
| | | FO = 256 | | 3.2 | | 3.7 | | 4.3 | | 6.1 | | 5.2 | ns |
| t _P | Minimum Period | FO = 32 | | 5.6 | | 6.3 | | 7.4 | | 10.6 | | 8.9 | ns |
| | | FO = 256 | | 6.0 | | 6.8 | | 8.0 | | 11.4 | | 9.6 | ns |
| f _{MAX} | Maximum Frequency | FO = 32 | | 215.0 | | 190.0 | | 160.0 | | 110.0 | | 105.0 | MHz |
| | | FO = 256 | | 195.0 | | 170.0 | | 144.0 | | 100.0 | | 95.0 | MHz |

Note:

1. These parameters should be used for estimating device performance. Optimization techniques may further reduce delays by 0 to 3 ns. Routing delays are for typical designs across worst-case operating conditions. Post-route timing analysis or simulation is required to determine actual worst-case

A1240XL Timing Characteristics (continued)

(Worst-Case Commercial Conditions)

| Output Module Timing | | '-2' Speed | | '-1' Speed | | 'Std' Speed | | '-F' Speed | | 3.3V Speed | | |
|--|---|------------|------|------------|------|-------------|------|------------|------|------------|------|-------|
| Parameter | Description | Min. | Max. | Min. | Max. | Min. | Max. | Min. | Max. | Min. | Max. | Units |
| TTL Output Module Timing¹ | | | | | | | | | | | | |
| t _{DLH} | Data to Pad High | | 3.8 | | 4.3 | | 5.0 | | 7.1 | | 6.0 | ns |
| t _{DHL} | Data to Pad Low | | 4.1 | | 4.6 | | 5.4 | | 7.7 | | 6.5 | ns |
| t _{ENZH} | Enable Pad Z to High | | 3.8 | | 4.3 | | 5.0 | | 7.1 | | 6.0 | ns |
| t _{ENZL} | Enable Pad Z to Low | | 4.1 | | 4.7 | | 5.5 | | 7.9 | | 6.6 | ns |
| t _{ENHZ} | Enable Pad High to Z | | 5.4 | | 6.1 | | 7.2 | | 10.3 | | 8.6 | ns |
| t _{ENLZ} | Enable Pad Low to Z | | 5.4 | | 6.1 | | 7.2 | | 10.3 | | 8.6 | ns |
| t _{GLH} | G to Pad High | | 4.2 | | 4.8 | | 5.6 | | 8.0 | | 6.7 | ns |
| t _{GHL} | G to Pad Low | | 4.7 | | 5.4 | | 6.3 | | 9.0 | | 7.6 | ns |
| t _{LCO} | I/O Latch Clock-Out (pad-to-pad), 64 clock loading | | 9.2 | | 10.5 | | 12.3 | | 17.6 | | 14.8 | ns |
| t _{ACO} | Array Clock-Out (pad-to-pad), 64 clock loading | | 12.9 | | 14.6 | | 17.2 | | 24.6 | | 20.6 | ns |
| d _{TLH} | Capacity Loading, Low to High | | 0.04 | | 0.04 | | 0.05 | | 0.06 | | 0.06 | ns/pF |
| d _{THL} | Capacity Loading, High to Low | | 0.05 | | 0.06 | | 0.07 | | 0.08 | | 0.08 | ns/pF |
| CMOS Output Module Timing¹ | | | | | | | | | | | | |
| t _{DLH} | Data to Pad High | | 4.8 | | 5.4 | | 6.4 | | 9.1 | | 7.7 | ns |
| t _{DHL} | Data to Pad Low | | 3.4 | | 3.8 | | 4.5 | | 6.4 | | 5.4 | ns |
| t _{ENZH} | Enable Pad Z to High | | 3.8 | | 4.3 | | 5.0 | | 7.1 | | 6.0 | ns |
| t _{ENZL} | Enable Pad Z to Low | | 4.1 | | 4.7 | | 5.5 | | 7.9 | | 6.6 | ns |
| t _{ENHZ} | Enable Pad High to Z | | 5.4 | | 6.1 | | 7.2 | | 10.3 | | 8.6 | ns |
| t _{ENLZ} | Enable Pad Low to Z | | 5.4 | | 6.1 | | 7.2 | | 10.3 | | 8.6 | ns |
| t _{GLH} | G to Pad High | | 4.2 | | 4.8 | | 5.6 | | 8.0 | | 6.7 | ns |
| t _{GHL} | G to Pad Low | | 4.7 | | 5.4 | | 6.3 | | 9.0 | | 7.6 | ns |
| t _{LCO} | I/O Latch Clock-Out (pad-to-pad), 64 clock loading | | 10.9 | | 12.4 | | 14.5 | | 20.7 | | 17.4 | ns |
| t _{ACO} | Array Clock-Out (pad-to-pad), 64 clock loading | | 15.2 | | 17.2 | | 20.3 | | 29.0 | | 24.4 | ns |
| d _{TLH} | Capacity Loading, Low to High | | 0.05 | | 0.06 | | 0.07 | | 0.08 | | 0.08 | ns/pF |
| d _{THL} | Capacity Loading, High to Low | | 0.05 | | 0.05 | | 0.06 | | 0.07 | | 0.07 | ns/pF |

Notes:

1. Delays based on 35 pF loading.
2. SSO information can be found in the "Simultaneously Switching Output Limits for Actel FPGAs" application note on page 4-125.

A3265DX Timing Characteristics

(Worst-Case Commercial Conditions)

| | | Advanced Information | | Preliminary Information | | | | | | | | |
|--|--|----------------------|------|-------------------------|------|-------------|------|------------|------|-------------------------|------|-------|
| Logic Module Propagation Delays ¹ | | '-2' Speed | | '-1' Speed | | 'Std' Speed | | '-F' Speed | | 3.3V Speed ⁵ | | |
| Parameter | Description | Min. | Max. | Min. | Max. | Min. | Max. | Min. | Max. | Min. | Max. | Units |
| Combinatorial Functions | | | | | | | | | | | | |
| t _{PD} | Internal Array Module Delay | | 1.8 | | 2.4 | | 2.9 | | 3.7 | | 3.2 | ns |
| t _{PDD} | Internal Decode Module Delay | | 2.1 | | 2.8 | | 3.4 | | 4.4 | | 3.7 | ns |
| Predicted Routing Delays² | | | | | | | | | | | | |
| t _{RD1} | FO=1 Routing Delay | | 0.3 | | 0.4 | | .05 | | 0.6 | | 0.5 | ns |
| t _{RD2} | FO=2 Routing Delay | | 0.6 | | 0.8 | | .09 | | 1.2 | | 1.0 | ns |
| t _{RD3} | FO=3 Routing Delay | | 0.9 | | 1.2 | | 1.4 | | 1.8 | | 1.6 | ns |
| t _{RD4} | FO=4 Routing Delay | | 1.2 | | 1.6 | | 1.9 | | 2.4 | | 2.1 | ns |
| t _{RD5} | FO=8 Routing Delay | | 2.4 | | 3.2 | | 3.7 | | 4.9 | | 4.1 | ns |
| t _{RDD} | Decode-to-Output Routing Delay | | 0.4 | | 0.5 | | 0.62 | | 0.8 | | 0.7 | ns |
| Sequential Timing Characteristics^{3,4} | | | | | | | | | | | | |
| t _{CO} | Flip-Flop Clock-to-Output | | 2.0 | | 2.7 | | 3.1 | | 4.1 | | 3.5 | ns |
| t _{GO} | Latch Gate-to-Output | | 1.8 | | 2.4 | | 2.9 | | 3.7 | | 3.2 | ns |
| t _{SU} | Flip-Flop (Latch) Setup Time | 0.3 | | 0.4 | | 0.47 | | 0.6 | | 0.5 | | ns |
| t _H | Flip-Flop (Latch) Hold Time | 0.0 | | 0.0 | | 0.0 | | 0.0 | | 0.0 | | ns |
| t _{RO} | Flip-Flop (Latch) Reset to Output | | 2.0 | | 2.7 | | 3.1 | | 4.1 | | 3.5 | ns |
| t _{SUENA} | Flip-Flop (Latch) Enable Setup | 0.6 | | 0.9 | | 1.0 | | 1.3 | | 1.1 | | ns |
| t _{HENA} | Flip-Flop (Latch) Enable Hold | 0.0 | | 0.0 | | 0.0 | | 0.0 | | 0.0 | | ns |
| t _{WCLKA} | Flip-Flop (Latch) Clock Active Pulse Width | 3.1 | | 4.2 | | 4.9 | | 6.4 | | 5.5 | | ns |
| t _{WASYN} | Flip-Flop (Latch) Asynchronous Pulse Width | 4.1 | | 5.5 | | 6.5 | | 8.4 | | 7.1 | | ns |

Notes:

- For dual-module macros, use $t_{PD1} + t_{RD1} + t_{PDn}$, $t_{CO} + t_{RD1} + t_{PDn}$ or $t_{PD1} + t_{RD1} + t_{SUD}$, whichever is appropriate.
- Routing delays are for typical designs across worst-case operating conditions. These parameters should be used for estimating device performance. Post-route timing analysis or simulation is required to determine actual worst-case performance. Post-route timing is based on actual routing delay measurements performed on the device prior to shipment.
- Data applies to macros based on the S-module. Timing parameters for sequential macros constructed from C-modules can be obtained from the DirectTime Analyzer utility.
- Setup and hold timing parameters for the Input Buffer Latch are defined with respect to the PAD and the D input. External setup/hold timing parameters must account for delay from an external PAD signal to the G inputs. Delay from an external PAD signal to the G input subtracts (adds) to the internal setup (hold) time.
- $V_{CC} = 3.0\text{ V}$ for 3.3V specifications.

A3265DX Timing Characteristics (continued)

(Worst-Case Commercial Conditions)

| | | Advanced Information | | Preliminary Information | | | | | | | | | |
|--|--------------------------------------|----------------------|------|-------------------------|------|-------------|------|------------|------|------------|------|-------|-----|
| Input Module Propagation Delays | | '-2' Speed | | '-1' Speed | | 'Std' Speed | | '-F' Speed | | 3.3V Speed | | | |
| Parameter | Description | Min. | Max. | Min. | Max. | Min. | Max. | Min. | Max. | Min. | Max. | Units | |
| t _{INPY} | Input Data Pad to Y | | 1.2 | | 1.6 | | 1.9 | | 2.4 | | 2.1 | ns | |
| t _{INGO} | Input Latch Gate-to-Output | | 2.8 | | 3.7 | | 4.4 | | 5.7 | | 4.8 | ns | |
| t _{INH} | Input Latch Hold | 0.0 | | 0.0 | | 0.0 | | 0.0 | | 0.0 | | ns | |
| t _{INSU} | Input Latch Setup | 0.4 | | 0.6 | | 0.7 | | 0.9 | | 0.8 | | ns | |
| t _{ILA} | Latch Active Pulse Width | 4.4 | | 5.9 | | 6.9 | | 9.0 | | 7.7 | | ns | |
| Input Module Predicted Routing Delays¹ | | | | | | | | | | | | | |
| t _{IRD1} | FO=1 Routing Delay | | 2.7 | | 3.7 | | 4.3 | | 5.6 | | 4.8 | ns | |
| t _{IRD2} | FO=2 Routing Delay | | 3.1 | | 4.2 | | 4.9 | | 6.4 | | 5.4 | ns | |
| t _{IRD3} | FO=3 Routing Delay | | 3.4 | | 4.5 | | 5.3 | | 6.9 | | 5.9 | ns | |
| t _{IRD4} | FO=4 Routing Delay | | 3.9 | | 5.2 | | 6.1 | | 7.9 | | 6.7 | ns | |
| t _{IRD5} | FO=8 Routing Delay | | 5.6 | | 7.5 | | 8.8 | | 11.4 | | 9.7 | ns | |
| t _{IRDD} | Decode-to-Output Routing Delay | | 0.3 | | 0.4 | | 0.5 | | 0.7 | | 0.6 | ns | |
| Global Clock Network | | | | | | | | | | | | | |
| t _{CKH} | Input Low to High | FO=32 | 6.3 | | 8.4 | | 9.9 | | 12.8 | | 10.9 | ns | |
| | | FO=256 | 5.3 | | 7.1 | | 8.4 | | 10.9 | | 9.2 | ns | |
| t _{CKL} | Input High to Low | FO=32 | 4.95 | | 6.6 | | 7.8 | | 10.1 | | 8.6 | ns | |
| | | FO=256 | 5.5 | | 7.3 | | 8.6 | | 11.2 | | 9.5 | ns | |
| t _{PW} | Minimum Pulse Width | FO=32 | 2.7 | | 3.7 | | 4.3 | | 5.6 | | 4.8 | ns | |
| | | FO=256 | 2.9 | | 3.9 | | 4.6 | | 6.0 | | 5.1 | ns | |
| t _{CKSW} | Maximum Skew | FO=32 | | 0.6 | | 0.9 | | 1.0 | | 1.3 | | 1.1 | ns |
| | | FO=256 | | 0.6 | | 0.9 | | 1.0 | | 1.3 | | 1.1 | ns |
| t _{SUEXT} | Input Latch External Setup | FO=32 | 0.0 | | 0.0 | | 0.0 | | 0.0 | | 0.0 | ns | |
| | | FO=256 | 0.0 | | 0.0 | | 0.0 | | 0.0 | | 0.0 | ns | |
| t _{HEXT} | Input Latch External Hold | FO=32 | 2.2 | | 2.9 | | 3.4 | | 4.4 | | 3.8 | ns | |
| | | FO=256 | 2.2 | | 2.9 | | 3.4 | | 4.4 | | 3.8 | ns | |
| t _P | Minimum Period (1/f _{max}) | FO=32 | 12.5 | | 10.0 | | 8.7 | | 6.1 | | 9.6 | ns | |
| | | FO=256 | 13.8 | | 11.0 | | 9.6 | | 6.7 | | 10.6 | ns | |
| f _{MAX} | Maximum Datapath Frequency | FO=32 | | 172.5 | | 138.0 | | 120.0 | | 84.0 | | 108.0 | MHz |
| | | FO=256 | | 150.9 | | 120.8 | | 105.0 | | 73.5 | | 94.5 | MHz |

Note:

1. Routing delays are for typical designs across worst-case operating conditions. These parameters should be used for estimating device performance. Post-route timing analysis or simulation is required to determine actual worst-case performance.

A3265DX Timing Characteristics (continued)

(Worst-Case Commercial Conditions)

| | | Advanced Information | | Preliminary Information | | | | | | | | |
|--|--|----------------------|------|-------------------------|------|-------------|------|------------|------|------------|------|-------|
| Output Module Timing | | '-2' Speed | | '-1' Speed | | 'Std' Speed | | '-F' Speed | | 3.3V Speed | | |
| Parameter | Description | Min. | Max. | Min. | Max. | Min. | Max. | Min. | Max. | Min. | Max. | Units |
| TTL Output Module Timing¹ | | | | | | | | | | | | |
| t _{DLH} | Data to Pad High | | 3.2 | | 4.3 | | 5.0 | | 6.5 | | 5.5 | ns |
| t _{DHL} | Data to Pad Low | | 3.9 | | 5.2 | | 6.1 | | 7.9 | | 6.7 | ns |
| t _{ENZH} | Enable Pad Z to High | | 4.1 | | 5.4 | | 6.4 | | 8.3 | | 7.1 | ns |
| t _{ENZL} | Enable Pad Z to Low | | 4.4 | | 5.9 | | 6.9 | | 9.0 | | 7.6 | ns |
| t _{ENHZ} | Enable Pad High to Z | | 7.1 | | 9.5 | | 11.1 | | 14.5 | | 12.3 | ns |
| t _{ENLZ} | Enable Pad Low to Z | | 7.1 | | 9.5 | | 11.1 | | 14.5 | | 12.3 | ns |
| t _{GLH} | G to Pad High | | 7.1 | | 9.4 | | 11.1 | | 14.4 | | 12.3 | ns |
| t _{GHL} | G to Pad Low | | 6.5 | | 8.7 | | 10.2 | | 13.3 | | 11.3 | ns |
| t _{LSU} | I/O Latch Output Setup | 0.4 | | 0.6 | | 0.7 | | 0.9 | | 0.8 | | ns |
| t _{LH} | I/O Latch Output Hold | 0.0 | | 0.0 | | 0.0 | | 0.0 | | 0.0 | | ns |
| t _{LCO} | I/O Latch Clock-Out (Pad-to-Pad) 32 I/O | | 8.4 | | 11.1 | | 13.1 | | 17.0 | | 14.5 | ns |
| t _{ACO} | Array Latch Clock-Out (Pad-to-Pad) 32 I/O | | 11.8 | | 15.7 | | 18.5 | | 24.1 | | 20.5 | ns |
| d _{TLH} | Capacitive Loading, Low to High | | 0.03 | | 0.04 | | 0.05 | | 0.1 | | 0.1 | ns/pF |
| d _{TLL} | Capacitive Loading, High to Low | | 0.02 | | 0.03 | | 0.07 | | 0.1 | | 0.1 | ns/pF |
| t _{WDO} | Hard-Wired Wide Decode Output | | 0.3 | | 0.4 | | 0.5 | | 0.7 | | 0.6 | ns/pF |
| CMOS Output Module Timing¹ | | | | | | | | | | | | |
| t _{DLH} | Data to Pad High | | 3.9 | | 5.2 | | 6.1 | | 7.9 | | 6.7 | ns |
| t _{DHL} | Data to Pad Low | | 3.2 | | 4.3 | | 5.0 | | 6.5 | | 5.5 | ns |
| t _{ENZH} | Enable Pad Z to High | | 4.1 | | 5.5 | | 6.4 | | 8.4 | | 7.1 | ns |
| t _{ENZL} | Enable Pad Z to Low | | 4.4 | | 5.9 | | 6.9 | | 9.0 | | 7.6 | ns |
| t _{ENHZ} | Enable Pad High to Z | | 7.1 | | 9.5 | | 11.1 | | 14.5 | | 12.3 | ns |
| t _{ENLZ} | Enable Pad Low to Z | | 7.1 | | 9.5 | | 11.1 | | 14.5 | | 12.3 | ns |
| t _{GLH} | G to Pad High | | 7.1 | | 9.4 | | 11.1 | | 14.4 | | 12.3 | ns |
| t _{GHL} | G to Pad Low | | 7.7 | | 10.2 | | 12.0 | | 15.6 | | 13.3 | ns |
| t _{LSU} | I/O Latch Setup | 0.4 | | 0.6 | | 0.7 | | 0.9 | | 0.8 | | ns |
| t _{LH} | I/O Latch Hold | 0.0 | | 0.0 | | 0.0 | | 0.0 | | 0.0 | | ns |
| t _{LCO} | I/O Latch Clock-Out (Pad-to-Pad) 32 I/O | | 9.9 | | 13.3 | | 15.6 | | 20.3 | | 17.3 | ns |
| t _{ACO} | Array Latch Clock-Out (Pad-to-Pad) 32 I/O | | 13.9 | | 18.5 | | 21.8 | | 28.3 | | 24.1 | ns |
| d _{TLH} | Capacitive Loading, Low to High | | 0.04 | | 0.06 | | 0.07 | | 0.1 | | 0.1 | ns/pF |
| d _{TLL} | Capacitive Loading, High to Low | | 0.04 | | 0.05 | | 0.06 | | 0.1 | | 0.1 | ns/pF |
| t _{WDO} | Hard-Wired Wide Decode Output | | 0.3 | | 0.4 | | 0.5 | | 0.7 | | 0.6 | ns/pF |

Notes:

- Delays based on 35pF loading.
- SSO information can be found in the "Simultaneously Switching Output Limits for Actel FPGAs" application note on page 4-125.

A1280XL Timing Characteristics

(Worst-Case Commercial Conditions, $V_{CC} = 4.75\text{ V}$, $T_J = 70^\circ\text{C}$)

| Logic Module Propagation Delays ¹ | | '-2' Speed | | '-1' Speed | | 'Std' Speed | | '-F' Speed | | 3.3V Speed ⁵ | | |
|--|--|------------|-------|------------|-------|-------------|-------|------------|------|-------------------------|-------|-------|
| Parameter | Description | Min. | Max. | Min. | Max. | Min. | Max. | Min. | Max. | Min. | Max. | Units |
| t_{PD1} | Single Module | | 2.6 | | 3.0 | | 3.5 | | 5.0 | | 4.2 | ns |
| t_{CO} | Sequential Clk to Q | | 2.6 | | 3.0 | | 3.5 | | 5.0 | | 4.2 | ns |
| t_{GO} | Latch G to Q | | 2.6 | | 3.0 | | 3.5 | | 5.0 | | 4.2 | ns |
| t_{RS} | Flip-Flop (Latch) Reset to Q | | 2.6 | | 3.0 | | 3.5 | | 5.0 | | 4.2 | ns |
| Predicted Routing Delays² | | | | | | | | | | | | |
| t_{RD1} | FO=1 Routing Delay | | 1.3 | | 1.4 | | 1.7 | | 2.4 | | 2.0 | ns |
| t_{RD2} | FO=2 Routing Delay | | 1.8 | | 2.0 | | 2.4 | | 3.4 | | 2.9 | ns |
| t_{RD3} | FO=3 Routing Delay | | 2.2 | | 2.5 | | 2.9 | | 4.1 | | 3.5 | ns |
| t_{RD4} | FO=4 Routing Delay | | 2.6 | | 3.0 | | 3.5 | | 5.0 | | 4.2 | ns |
| t_{RD8} | FO=8 Routing Delay | | 5.0 | | 5.7 | | 6.7 | | 9.6 | | 8.0 | ns |
| Sequential Timing Characteristics^{3,4} | | | | | | | | | | | | |
| t_{SUD} | Flip-Flop (Latch) Data Input Setup | 0.4 | | 0.4 | | 0.5 | | 0.7 | | 0.6 | | ns |
| t_{HD} | Flip-Flop (Latch) Data Input Hold | 0.0 | | 0.0 | | 0.0 | | 0.0 | | 0.0 | | ns |
| t_{SUENA} | Flip-Flop (Latch) Enable Setup | 0.8 | | 0.9 | | 1.0 | | 1.4 | | 1.2 | | ns |
| t_{HENA} | Flip-Flop (Latch) Enable Hold | 0.0 | | 0.0 | | 0.0 | | 0.0 | | 0.0 | | ns |
| t_{WCLKA} | Flip-Flop (Latch) Clock Active Pulse Width | 3.7 | | 4.3 | | 4.9 | | 7.0 | | 5.9 | | ns |
| t_{WASYN} | Flip-Flop (Latch) Asynchronous Pulse Width | 3.7 | | 4.3 | | 4.9 | | 7.0 | | 5.9 | | ns |
| t_A | Flip-Flop Clock Input Period | 8.0 | | 8.7 | | 10 | | 14 | | 12 | | ns |
| t_{INH} | Input Buffer Latch Hold | 0.0 | | 0.0 | | 0.0 | | 0.0 | | 0.0 | | ns |
| t_{INSU} | Input Buffer Latch Setup | 0.3 | | 0.4 | | 0.4 | | 0.6 | | 0.5 | | ns |
| t_{OUTH} | Output Buffer Latch Hold | 0.0 | | 0.0 | | 0.0 | | 0.0 | | 0.0 | | ns |
| t_{OUTSU} | Output Buffer Latch Setup | 0.3 | | 0.4 | | 0.4 | | 0.6 | | 0.5 | | ns |
| f_{MAX} | Flip-Flop (Latch) Clock Frequency | | 200.0 | | 167.0 | | 130.0 | | 90.0 | | 110.0 | MHz |

Notes:

- For dual-module macros, use $t_{PD1} + t_{RD1} + t_{PDn}$, $t_{CO} + t_{RD1} + t_{PDn}$, or $t_{PD1} + t_{RD1} + t_{SUD}$, whichever is appropriate.
- Routing delays are for typical designs across worst-case operating conditions. These parameters should be used for estimating device performance. Post-route timing analysis or simulation is required to determine actual worst-case performance. Post-route timing is based on actual routing delay measurements performed on the device prior to shipment.
- Data applies to macros based on the S-module. Timing parameters for sequential macros constructed from C-modules can be obtained from the DirectTime Analyzer utility.
- Setup and hold timing parameters for the Input Buffer Latch are defined with respect to the PAD and the D input. External setup/hold timing parameters must account for delay from an external PAD signal to the G inputs. Delay from an external PAD signal to the G input subtracts (adds) to the internal setup (hold) time.
- $V_{CC} = 3.0\text{ V}$ for 3.3V specifications.

A1280XL Timing Characteristics (continued)

(Worst-Case Commercial Conditions)

| Input Module Propagation Delays | | | ‘-2’ Speed | | ‘-1’ Speed | | ‘Std’ Speed | | ‘-F’ Speed | | 3.3V Speed | | |
|--|----------------------------|----------|------------|-------|------------|-------|-------------|-------|------------|-------|------------|-------|-------|
| Parameter | Description | | Min. | Max. | Min. | Max. | Min. | Max. | Min. | Max. | Min. | Max. | Units |
| t _{INYH} | Pad to Y High | | | 1.1 | | 1.2 | | 1.4 | | 2.0 | | 1.7 | ns |
| t _{INYL} | Pad to Y Low | | | 1.3 | | 1.4 | | 1.7 | | 2.4 | | 2.0 | ns |
| t _{INGH} | G to Y High | | | 2.0 | | 2.3 | | 2.7 | | 3.9 | | 3.2 | ns |
| t _{INGL} | G to Y Low | | | 2.6 | | 3.0 | | 3.5 | | 5.0 | | 4.2 | ns |
| Input Module Predicted Routing Delays ¹ | | | | | | | | | | | | | |
| t _{IRD1} | FO=1 Routing Delay | | | 3.2 | | 3.7 | | 4.3 | | 6.1 | | 5.2 | ns |
| t _{IRD2} | FO=2 Routing Delay | | | 3.7 | | 4.2 | | 4.9 | | 7.0 | | 5.9 | ns |
| t _{IRD3} | FO=3 Routing Delay | | | 4.0 | | 4.5 | | 5.3 | | 7.6 | | 6.4 | ns |
| t _{IRD4} | FO=4 Routing Delay | | | 4.6 | | 5.2 | | 6.1 | | 8.7 | | 7.3 | ns |
| t _{IRD8} | FO=8 Routing Delay | | | 6.6 | | 7.5 | | 8.8 | | 12.6 | | 10.6 | ns |
| Global Clock Network | | | | | | | | | | | | | |
| t _{CKH} | Input Low to High | FO = 32 | | 5.1 | | 5.8 | | 6.8 | | 9.7 | | 8.2 | ns |
| | | FO = 384 | | 5.7 | | 6.5 | | 7.6 | | 10.9 | | 9.1 | ns |
| t _{CKL} | Input High to Low | FO = 32 | | 5.0 | | 5.7 | | 6.7 | | 9.6 | | 8.0 | ns |
| | | FO = 384 | | 5.7 | | 6.5 | | 7.6 | | 10.9 | | 9.1 | ns |
| t _{PWH} | Minimum Pulse Width High | FO = 32 | 3.2 | | 3.5 | | 4.3 | | 6.1 | | 5.2 | | ns |
| | | FO = 384 | 3.5 | | 3.9 | | 4.6 | | 6.6 | | 5.5 | | ns |
| t _{PWL} | Minimum Pulse Width Low | FO = 32 | 3.2 | | 3.5 | | 4.3 | | 6.1 | | 5.2 | | ns |
| | | FO = 384 | 3.5 | | 3.9 | | 4.6 | | 6.6 | | 5.5 | | ns |
| t _{CKSW} | Maximum Skew | FO = 32 | | 0.8 | | 0.9 | | 1.0 | | 1.4 | | 1.2 | ns |
| | | FO = 384 | | 0.8 | | 0.9 | | 1.0 | | 1.4 | | 1.2 | ns |
| t _{SUEXT} | Input Latch External Setup | FO = 32 | 0.0 | | 0.0 | | 0.0 | | 0.0 | | 0.0 | | ns |
| | | FO = 384 | 0.0 | | 0.0 | | 0.0 | | 0.0 | | 0.0 | | ns |
| t _{HEXT} | Input Latch External Hold | FO = 32 | 2.6 | | 2.9 | | 3.4 | | 4.9 | | 4.1 | | ns |
| | | FO = 384 | 3.2 | | 3.7 | | 4.3 | | 6.1 | | 5.2 | | ns |
| t _P | Minimum Period | FO = 32 | 6.5 | | 7.4 | | 8.7 | | 12.4 | | 10.4 | | ns |
| | | FO = 384 | 7.2 | | 8.0 | | 9.6 | | 13.7 | | 11.5 | | ns |
| f _{MAX} | Maximum Frequency | FO = 32 | | 200.0 | | 167.0 | | 143.0 | | 100.0 | | 120.0 | MHz |
| | | FO = 384 | | 180.0 | | 150.0 | | 130.0 | | 90.0 | | 110.0 | MHz |

Note:

- These parameters should be used for estimating device performance. Optimization techniques may further reduce delays by 0 to 4 ns. Routing delays are for typical designs across worst-case operating conditions. Post-route timing analysis or simulation is required to determine actual worst-case performance. Post-route timing is based on actual routing delay measurements performed on the device prior to shipment.

A1280XL Timing Characteristics (continued)

(Worst-Case Commercial Conditions)

| Output Module Timing | | ‘-2’ Speed | | ‘-1’ Speed | | ‘Std’ Speed | | ‘-F’ Speed | | 3.3V Speed | | |
|--|---|------------|------|------------|------|-------------|------|------------|------|------------|------|-------|
| Parameter | Description | Min. | Max. | Min. | Max. | Min. | Max. | Min. | Max. | Min. | Max. | Units |
| TTL Output Module Timing¹ | | | | | | | | | | | | |
| t _{DLH} | Data to Pad High | | 3.8 | | 4.3 | | 5.0 | | 7.1 | | 6.0 | ns |
| t _{DHL} | Data to Pad Low | | 4.1 | | 4.6 | | 5.4 | | 7.7 | | 6.5 | ns |
| t _{ENZH} | Enable Pad Z to High | | 3.8 | | 4.3 | | 5.0 | | 7.1 | | 6.0 | ns |
| t _{ENZL} | Enable Pad Z to Low | | 4.1 | | 4.7 | | 5.5 | | 7.7 | | 6.6 | ns |
| t _{ENHZ} | Enable Pad High to Z | | 5.4 | | 6.1 | | 7.2 | | 10.3 | | 8.6 | ns |
| t _{ENLZ} | Enable Pad Low to Z | | 5.4 | | 6.1 | | 7.2 | | 10.3 | | 8.6 | ns |
| t _{GLH} | G to Pad High | | 4.2 | | 4.8 | | 5.6 | | 8.0 | | 6.7 | ns |
| t _{GHL} | G to Pad Low | | 4.7 | | 5.4 | | 6.3 | | 9.0 | | 7.6 | ns |
| t _{LCO} | I/O Latch Clock-Out (pad-to-pad), 64 clock loading | | 9.8 | | 11.0 | | 13.1 | | 18.7 | | 15.7 | ns |
| t _{ACO} | Array Clock-Out (pad-to-pad), 64 clock loading | | 13.9 | | 15.7 | | 18.5 | | 26.4 | | 22.2 | ns |
| d _{TLH} | Capacitive Loading, Low to High | | 0.04 | | 0.04 | | 0.05 | | 0.06 | | 0.06 | ns/pF |
| d _{THL} | Capacitive Loading, High to Low | | 0.05 | | 0.06 | | 0.07 | | 0.08 | | 0.08 | ns/pF |
| CMOS Output Module Timing¹ | | | | | | | | | | | | |
| t _{DLH} | Data to Pad High | | 4.8 | | 5.4 | | 6.4 | | 9.1 | | 7.7 | ns |
| t _{DHL} | Data to Pad Low | | 3.4 | | 3.8 | | 4.5 | | 6.4 | | 5.4 | ns |
| t _{ENZH} | Enable Pad Z to High | | 3.8 | | 4.3 | | 5.0 | | 7.1 | | 6.0 | ns |
| t _{ENZL} | Enable Pad Z to Low | | 4.1 | | 4.7 | | 5.5 | | 7.9 | | 6.6 | ns |
| t _{ENHZ} | Enable Pad High to Z | | 5.4 | | 6.1 | | 7.2 | | 10.3 | | 8.6 | ns |
| t _{ENLZ} | Enable Pad Low to Z | | 5.4 | | 6.1 | | 7.2 | | 10.3 | | 8.6 | ns |
| t _{GLH} | G to Pad High | | 4.2 | | 4.8 | | 5.6 | | 8.0 | | 6.7 | ns |
| t _{GHL} | G to Pad Low | | 4.7 | | 5.4 | | 6.3 | | 9.0 | | 7.6 | ns |
| t _{LCO} | I/O Latch Clock-Out (pad-to-pad), 64 clock loading | | 11.6 | | 13.0 | | 15.5 | | 22.2 | | 18.6 | ns |
| t _{ACO} | Array Clock-Out (pad-to-pad), 64 clock loading | | 16.4 | | 18.5 | | 21.8 | | 31.2 | | 26.2 | ns |
| d _{TLH} | Capacitive Loading, Low to High | | 0.05 | | 0.06 | | 0.07 | | 0.08 | | 0.08 | ns/pF |
| d _{THL} | Capacitive Loading, High to Low | | 0.05 | | 0.05 | | 0.06 | | 0.07 | | 0.07 | ns/pF |

Notes:

1. Delays based on 35 pF loading.
2. SSO information can be found in the "Simultaneously Switching Output Limits for Actel FPGAs" application note on page 4-125.

A32140DX Timing Characteristics

(Worst-Case Commercial Conditions)

| | | Advanced Information | | Preliminary Information | | | | | | |
|--|--|----------------------|------|-------------------------|------|-------------|------|------------|------|-------|
| Logic Module Propagation Delays ¹ | | ‘-2 Speed | | ‘-1’ Speed | | ‘Std’ Speed | | ‘-F’ Speed | | |
| Parameter | Description | Min. | Max. | Min. | Max. | Min. | Max. | Min. | Max. | Units |
| Combinatorial Functions | | | | | | | | | | |
| t _{PD} | Internal Array Module Delay | | 1.8 | | 2.3 | | 2.8 | | 3.6 | ns |
| t _{PDD} | Internal Decode Module Delay | | 1.9 | | 2.5 | | 3.0 | | 3.8 | ns |
| Predicted Routing Delays² | | | | | | | | | | |
| t _{RD1} | FO=1 Routing Delay | | 1.0 | | 1.3 | | 1.6 | | 2.0 | ns |
| t _{RD2} | FO=2 Routing Delay | | 1.4 | | 1.9 | | 2.2 | | 2.8 | ns |
| t _{RD3} | FO=3 Routing Delay | | 1.8 | | 2.4 | | 2.8 | | 3.7 | ns |
| t _{RD4} | FO=4 Routing Delay | | 2.2 | | 2.9 | | 3.4 | | 4.5 | ns |
| t _{RD5} | FO=8 Routing Delay | | 3.8 | | 5.0 | | 5.9 | | 7.7 | ns |
| t _{RDD} | Decode-to-Output Routing Delay | | 0.5 | | 0.7 | | 0.78 | | 1.0 | ns |
| Sequential Timing Characteristics^{3,4} | | | | | | | | | | |
| t _{CO} | Flip-Flop Clock-to-Output | | 2.1 | | 2.8 | | 3.3 | | 4.3 | ns |
| t _{GO} | Latch Gate-to-Output | | 1.8 | | 2.3 | | 2.8 | | 3.6 | ns |
| t _{SU} | Flip-Flop (Latch) Setup Time | 0.3 | | 0.4 | | 0.47 | | 0.6 | | ns |
| t _H | Flip-Flop (Latch) Hold Time | 0.0 | | 0.0 | | 0.0 | | 0.0 | | ns |
| t _{RO} | Flip-Flop (Latch) Reset to Output | | 2.1 | | 2.8 | | 3.3 | | 4.3 | ns |
| t _{SUENA} | Flip-Flop (Latch) Enable Setup | 0.6 | | 0.9 | | 1.0 | | 1.3 | | ns |
| t _{HENA} | Flip-Flop (Latch) Enable Hold | 0.0 | | 0.0 | | 0.0 | | 0.0 | | ns |
| t _{WCLKA} | Flip-Flop (Latch) Clock Active Pulse Width | 2.6 | | 3.5 | | 4.1 | | 5.4 | | ns |
| t _{WASYN} | Flip-Flop (Latch) Asynchronous Pulse Width | 4.1 | | 5.5 | | 6.5 | | 8.4 | | ns |

Notes:

- For dual-module macros, use $t_{PD1} + t_{RD1} + t_{PDn}$, $t_{CO} + t_{RD1} + t_{PDn}$, or $t_{PD1} + t_{RD1} + t_{SUD}$, whichever is appropriate.
- Routing delays are for typical designs across worst-case operating conditions. These parameters should be used for estimating device performance. Post-route timing analysis or simulation is required to determine actual worst-case performance. Post-route timing is based on actual routing delay measurements performed on the device prior to shipment.
- Data applies to macros based on the S-module. Timing parameters for sequential macros constructed from C-modules can be obtained from the DirectTime Analyzer utility.
- Setup and hold timing parameters for the Input Buffer Latch are defined with respect to the PAD and the D input. External setup/hold timing parameters must account for delay from an external PAD signal to the G inputs. Delay from an external PAD signal to the G input subtracts (adds) to the internal setup (hold) time.

A32140DX Timing Characteristics (continued)

(Worst-Case Commercial Conditions)

| | | Advanced Information | | Preliminary Information | | | | | | |
|--|--------------------------------------|----------------------|------|-------------------------|------|-------------|------|------------|------|-------|
| Input Module Propagation Delays | | '-2' Speed | | '-1' Speed | | 'Std' Speed | | '-F' Speed | | |
| Parameter | Description | Min. | Max. | Min. | Max. | Min. | Max. | Min. | Max. | Units |
| t _{INPY} | Input Data Pad to Y | | 1.2 | | 1.6 | | 1.9 | | 2.4 | ns |
| t _{INGO} | Input Latch Gate-to-Output | | 2.3 | | 3.1 | | 3.7 | | 4.7 | ns |
| t _{INH} | Input Latch Hold | 0.0 | | 0.0 | | 0.0 | | 0.0 | | ns |
| t _{INSU} | Input Latch Setup | 0.3 | | 0.4 | | 0.47 | | 0.6 | | ns |
| t _{ILA} | Latch Active Pulse Width | 3.1 | | 4.2 | | 4.9 | | 6.4 | | ns |
| Input Module Predicted Routing Delays¹ | | | | | | | | | | |
| t _{IRD1} | FO=1 Routing Delay | | 2.7 | | 3.7 | | 4.3 | | 5.6 | ns |
| t _{IRD2} | FO=2 Routing Delay | | 3.1 | | 4.2 | | 4.9 | | 6.4 | ns |
| t _{IRD3} | FO=3 Routing Delay | | 3.4 | | 4.5 | | 5.3 | | 6.9 | ns |
| t _{IRD4} | FO=4 Routing Delay | | 3.9 | | 5.2 | | 6.1 | | 7.9 | ns |
| t _{IRD5} | FO=8 Routing Delay | | 5.6 | | 7.5 | | 8.8 | | 11.4 | ns |
| t _{IRDD} | Decode-to-Output Routing Delay | | 0.3 | | 0.4 | | 0.5 | | 0.7 | ns |
| Global Clock Network | | | | | | | | | | |
| t _{CKH} | Input Low to High | FO=32 | 6.2 | | 8.3 | | 9.7 | | 12.7 | ns |
| | | FO=486 | 6.8 | | 9.1 | | 10.7 | | 13.9 | ns |
| t _{CKL} | Input High to Low | FO=32 | 6.12 | | 8.2 | | 9.6 | | 12.5 | ns |
| | | FO=486 | 6.7 | | 8.9 | | 10.5 | | 13.6 | ns |
| t _{PW} | Minimum Pulse Width | FO=32 | 2.7 | | 3.7 | | 4.3 | | 5.6 | ns |
| | | FO=486 | 2.9 | | 3.9 | | 4.6 | | 6.0 | ns |
| t _{CKSW} | Maximum Skew | FO=32 | 0.6 | | 0.9 | | 1.0 | | 1.3 | ns |
| | | FO=486 | 0.6 | | 0.9 | | 1.0 | | 1.3 | ns |
| t _{SUEXT} | Input Latch External Setup | FO=32 | 0.0 | | 0.0 | | 0.0 | | 0.0 | ns |
| | | FO=486 | 0.0 | | 0.0 | | 0.0 | | 0.0 | ns |
| t _{HEXT} | Input Latch External Hold | FO=32 | 2.2 | | 2.9 | | 3.4 | | 4.4 | ns |
| | | FO=486 | 2.2 | | 2.9 | | 3.4 | | 4.4 | ns |
| t _P | Minimum Period (1/f _{max}) | FO=32 | 12.5 | | 10.0 | | 8.7 | | 6.1 | ns |
| | | FO=486 | 13.8 | | 11.0 | | 9.6 | | 6.7 | ns |
| f _{MAX} | Maximum Datapath Frequency | FO=32 | | 172.5 | | 138.0 | | 120.0 | | MHz |
| | | FO=486 | | 150.9 | | 120.8 | | 105.0 | | 73.5 |

Note:

1. Routing delays are for typical designs across worst-case operating conditions. These parameters should be used for estimating device performance. Post-routetiming analysis or simulation is required to determine actual worst-case performance.

A32140DX Timing Characteristics (continued)

(Worst-Case Commercial Conditions)

| | | Advanced Information | | Preliminary Information | | | | | | |
|--|---|----------------------|------|-------------------------|------|-------------|------|------------|------|-------|
| Output Module Timing | | ‘-2 Speed | | ‘-1’ Speed | | ‘Std’ Speed | | ‘-F’ Speed | | |
| Parameter | Description | Min. | Max. | Min. | Max. | Min. | Max. | Min. | Max. | Units |
| TTL Output Module Timing¹ | | | | | | | | | | |
| t _{DLH} | Data to Pad High | | 3.3 | | 4.4 | | 5.1 | | 6.7 | ns |
| t _{DHL} | Data to Pad Low | | 3.5 | | 4.6 | | 5.4 | | 7.1 | ns |
| t _{ENZH} | Enable Pad Z to High | | 4.1 | | 5.5 | | 6.4 | | 8.4 | ns |
| t _{ENZL} | Enable Pad Z to Low | | 4.4 | | 5.9 | | 6.9 | | 9.0 | ns |
| t _{ENHZ} | Enable Pad High to Z | | 7.1 | | 9.5 | | 11.1 | | 14.5 | ns |
| t _{ENLZ} | Enable Pad Low to Z | | 7.1 | | 9.5 | | 11.1 | | 14.5 | ns |
| t _{GLH} | G to Pad High | | 6.5 | | 8.7 | | 10.2 | | 13.3 | ns |
| t _{GHL} | G to Pad Low | | 6.5 | | 8.7 | | 10.2 | | 13.3 | ns |
| t _{LSU} | I/O Latch Output Setup | 0.4 | | 0.6 | | 0.7 | | 0.9 | | ns |
| t _{LH} | I/O Latch Output Hold | 0.0 | | 0.0 | | 0.0 | | 0.0 | | ns |
| t _{LCO} | I/O Latch Clock-Out (Pad-to-Pad) 32 I/O | | 8.4 | | 11.1 | | 13.1 | | 17.0 | ns |
| t _{ACO} | Array Latch Clock-Out (Pad-to-Pad) 32 I/O | | 11.8 | | 15.7 | | 18.5 | | 24.1 | ns |
| d _{TLH} | Capacitive Loading, Low to High | | 0.03 | | 0.04 | | 0.05 | | 0.1 | ns/pF |
| d _{THL} | Capacitive Loading, High to Low | | 0.02 | | 0.03 | | 0.07 | | 0.1 | ns/pF |
| t _{WDO} | Hard-Wired Wide Decode Output | | 0.3 | | 0.4 | | 0.5 | | 0.7 | ns/pF |
| CMOS Output Module Timing¹ | | | | | | | | | | |
| t _{DLH} | Data to Pad High | | 3.5 | | 4.6 | | 5.4 | | 7.1 | ns |
| t _{DHL} | Data to Pad Low | | 3.3 | | 4.4 | | 5.1 | | 6.7 | ns |
| t _{ENZH} | Enable Pad Z to High | | 4.1 | | 5.5 | | 6.4 | | 8.4 | ns |
| t _{ENZL} | Enable Pad Z to Low | | 4.4 | | 5.9 | | 6.9 | | 9.0 | ns |
| t _{ENHZ} | Enable Pad High to Z | | 7.1 | | 9.5 | | 11.1 | | 14.5 | ns |
| t _{ENLZ} | Enable Pad Low to Z | | 7.1 | | 9.5 | | 11.1 | | 14.5 | ns |
| t _{GLH} | G to Pad High | | 6.5 | | 8.7 | | 10.2 | | 13.3 | ns |
| t _{GHL} | G to Pad Low | | 6.5 | | 8.7 | | 10.2 | | 13.3 | ns |
| t _{LSU} | I/O Latch Setup | 0.4 | | 0.6 | | 0.7 | | 0.9 | | ns |
| t _{LH} | I/O Latch Hold | 0.0 | | 0.0 | | 0.0 | | 0.0 | | ns |
| t _{LCO} | I/O Latch Clock-Out (Pad-to-Pad) 32 I/O | | 9.9 | | 13.3 | | 15.6 | | 20.3 | ns |
| t _{ACO} | Array Latch Clock-Out (Pad-to-Pad) 32 I/O | | 13.9 | | 18.5 | | 21.8 | | 28.3 | ns |
| d _{TLH} | Capacitive Loading, Low to High | | 0.04 | | 0.06 | | 0.07 | | 0.1 | ns/pF |
| d _{THL} | Capacitive Loading, High to Low | | 0.04 | | 0.05 | | 0.06 | | 0.1 | ns/pF |
| t _{WDO} | Hard-Wired Wide Decode Output | | 0.3 | | 0.4 | | 0.5 | | 0.7 | ns/pF |

Notes:

1. Delays based on 35 pF loading.
2. SSO information can be found in the “Simultaneously Switching Output Limits for Actel FPGAs” application note on page 4-125.

A32100DX Timing Characteristics

(Worst-Case Commercial Conditions)

| | | Advanced Information | | | | | | | | |
|--|--|----------------------|------|------------|------|-------------|------|------------|------|-------|
| Logic Module Propagation Delays | | '-2 Speed | | '-1' Speed | | 'Std' Speed | | '-F' Speed | | |
| Parameter | Description | Min. | Max. | Min. | Max. | Min. | Max. | Min. | Max. | Units |
| Combinatorial Functions | | | | | | | | | | |
| t _{PD} | Internal Array Module Delay | | 2.2 | | 3.0 | | 3.5 | | 5.2 | ns |
| t _{PDD} | Internal Decode Module Delay | | 2.4 | | 3.1 | | 3.7 | | 5.7 | ns |
| Predicted Module Routing Delays | | | | | | | | | | |
| t _{RD1} | FO=1 Routing Delay | | 1.0 | | 1.3 | | 1.5 | | 3.3 | ns |
| t _{RD2} | FO=2 Routing Delay | | 1.4 | | 1.9 | | 2.2 | | 4.3 | ns |
| t _{RD3} | FO=3 Routing Delay | | 1.8 | | 2.5 | | 2.9 | | 5.2 | ns |
| t _{RD4} | FO=4 Routing Delay | | 2.4 | | 3.1 | | 3.7 | | 6.5 | ns |
| t _{RD5} | FO=8 Routing Delay | | 4.2 | | 5.6 | | 6.6 | | 10.0 | ns |
| t _{RDD} | Decode-to-Output Routing Delay | | 0.3 | | 0.4 | | 0.5 | | 0.4 | ns |
| Sequential Timing Characteristics | | | | | | | | | | |
| t _{CO} | Flip-Flop Clock-to-Output | | 2.2 | | 3.0 | | 3.5 | | 5.0 | ns |
| t _{GO} | Latch Gate-to-Output | | 2.2 | | 3.0 | | 3.5 | | 5.0 | ns |
| t _{SU} | Flip-Flop (Latch) Setup Time | 0.3 | | 0.4 | | 0.5 | | 0.7 | | ns |
| t _H | Flip-Flop (Latch) Hold Time | 0.0 | | 0.0 | | 0.0 | | 0.0 | | ns |
| t _{RO} | Flip-Flop (Latch) Reset to Output | | 2.2 | | 3.0 | | 3.5 | | 5.0 | ns |
| t _{SUENA} | Flip-Flop (Latch) Enable Setup | 0.6 | | 0.9 | | 1.0 | | 1.4 | | ns |
| t _{HENA} | Flip-Flop (Latch) Enable Hold | 0.0 | | 0.0 | | 0.0 | | 0.0 | | ns |
| t _{WCLKA} | Flip-Flop (Latch) Clock Active Pulse Width | 3.1 | | 4.2 | | 4.9 | | 7.0 | | ns |
| t _{WASYN} | Flip-Flop (Latch) Asynchronous Pulse Width | 4.1 | | 5.4 | | 6.4 | | 7.0 | | ns |

A32100DX Timing Characteristics (continued)

(Worst-Case Commercial Conditions)

| | | Advanced Information | | | | | | | | |
|-------------------------------------|------------------------------------|----------------------|------|------------|------|-------------|------|------------|------|-------|
| Logic Module Timing | | '-2 Speed | | '-1' Speed | | 'Std' Speed | | '-F' Speed | | |
| Parameter | Description | Min. | Max. | Min. | Max. | Min. | Max. | Min. | Max. | Units |
| Synchronous SRAM Operations | | | | | | | | | | |
| t _{RC} | Read Cycle Time | 6.4 | | 8.5 | | 10.0 | | 14.3 | | ns |
| t _{WC} | Write Cycle Time | 6.4 | | 8.5 | | 10.0 | | 14.3 | | ns |
| t _{RCKHL} | Clock High/Low Time | 3.2 | | 4.3 | | 5.0 | | 7.1 | | ns |
| t _{RCO} | Data Valid After Clock High/Low | | 3.2 | | 4.3 | | 5.0 | | 7.1 | ns |
| t _{ADSU} | Address/Data Setup Time | 1.5 | | 2.0 | | 2.4 | | 3.4 | | ns |
| t _{ADH} | Address/Data Hold Time | 0.0 | | 0.0 | | 0.0 | | 0.0 | | ns |
| t _{RENSU} | Read Enable Setup | 0.6 | | 0.8 | | 0.9 | | 1.4 | | ns |
| t _{RENH} | Read Enable Hold | 3.2 | | 4.3 | | 5.0 | | 0.7 | | ns |
| t _{WENSU} | Write Enable Setup | 2.6 | | 3.4 | | 4.0 | | 5.4 | | ns |
| t _{WENH} | Write Enable Hold | 0.0 | | 0.0 | | 0.0 | | 0.0 | | ns |
| t _{BENS} | Block Enable Setup | 2.6 | | 3.5 | | 4.1 | | 5.6 | | ns |
| t _{BENH} | Block Enable Hold | 0.0 | | 0.0 | | 0.0 | | 0.0 | | ns |
| Asynchronous SRAM Operations | | | | | | | | | | |
| t _{RPD} | Asynchronous Access Time | | 7.7 | | 10.2 | | 12.0 | | 17.2 | ns |
| t _{RDADV} | Read Address Valid | 8.3 | | 11.1 | | 13.0 | | 18.6 | | ns |
| t _{ADSU} | Address/Data Setup Time | 1.5 | | 2.0 | | 2.4 | | 3.4 | | ns |
| t _{ADH} | Address/Data Hold Time | 0.0 | | 0.0 | | 0.0 | | 0.0 | | ns |
| t _{RENSUA} | Read Enable Setup to Address Valid | 0.57 | | 0.8 | | 0.9 | | 1.4 | | ns |
| t _{RENHA} | Read Enable Hold | 3.2 | | 4.3 | | 5.0 | | 7.1 | | ns |
| t _{WENSU} | Write Enable Setup | 2.6 | | 3.4 | | 4.0 | | 5.4 | | ns |
| t _{WENH} | Write Enable Hold | 0.0 | | 0.0 | | 0.0 | | 0.0 | | ns |
| t _{DOH} | Data Out Hold Time | | 1.1 | | 1.5 | | 1.8 | | 2.6 | ns |

A32100DX Timing Characteristics (continued)

(Worst-Case Commercial Conditions)

| | | | Advanced Information | | | | | | | | |
|---------------------------------------|---|--------|----------------------|-------|------------|------|-------------|------|------------|------|-------|
| Input Module Propagation Delays | | | ‘-2’ Speed | | ‘-1’ Speed | | ‘Std’ Speed | | ‘-F’ Speed | | |
| Parameter | Description | | Min. | Max. | Min. | Max. | Min. | Max. | Min. | Max. | Units |
| t _{INPY} | Input Data Pad to Y | | | 1.4 | | 1.9 | | 2.2 | | 2.9 | ns |
| t _{INGO} | Input Latch Gate-to-Output ¹ | | | 2.9 | | 3.8 | | 4.5 | | 5.0 | ns |
| t _{INH} | Input Latch Hold ¹ | | 0.0 | | 0.0 | | 0.0 | | 0.0 | | ns |
| t _{INSU} | Input Latch Setup ¹ | | 0.45 | | 0.6 | | 0.7 | | 0.6 | | ns |
| t _{ILA} | Latch Active Pulse Width ¹ | | 4.4 | | 5.9 | | 6.9 | | 7.0 | | ns |
| Input Module Predicted Routing Delays | | | | | | | | | | | |
| t _{IRD1} | FO=1 Routing Delay | | | 1.6 | | 2.1 | | 2.5 | | 6.1 | ns |
| t _{IRD2} | FO=2 Routing Delay | | | 2.0 | | 2.7 | | 3.2 | | 7.0 | ns |
| t _{IRD3} | FO=3 Routing Delay | | | 2.6 | | 3.4 | | 4.0 | | 7.6 | ns |
| t _{IRD4} | FO=4 Routing Delay | | | 2.6 | | 3.4 | | 4.0 | | 8.7 | ns |
| t _{IRD8} | FO=8 Routing Delay | | | 4.1 | | 5.4 | | 6.4 | | 12.6 | ns |
| Global Clock Network | | | | | | | | | | | |
| t _{CKH} | Input Low to High | FO=32 | | 4.7 | | 6.3 | | 7.4 | | 8.4 | ns |
| | | FO=635 | | 5.7 | | 7.7 | | 9.0 | | 9.9 | ns |
| t _{CKL} | Input High to Low | FO=32 | | 4.8 | | 6.4 | | 7.5 | | 8.4 | ns |
| | | FO=635 | | 6.4 | | 8.5 | | 10.0 | | 11.3 | ns |
| t _{PWH} | Minimum Pulse Width High | FO=32 | 2.5 | | 3.3 | | 3.9 | | 5.07 | | ns |
| | | FO=635 | 2.7 | | 3.7 | | 4.3 | | 5.59 | | ns |
| t _{PWL} | Minimum Pulse Width Low | FO=32 | 2.5 | | 3.3 | | 3.9 | | 5.07 | | ns |
| | | FO=635 | 2.7 | | 3.7 | | 4.3 | | 5.59 | | ns |
| t _{CKSW} | Maximum Skew | FO=32 | | 0.6 | | 0.9 | | 1.0 | | 1.4 | ns |
| | | FO=635 | | 0.6 | | 0.9 | | 1.0 | | 1.4 | ns |
| t _{SUEXT} | Input Latch External Setup | FO=32 | 0.0 | | 0.0 | | 0.0 | | 0.0 | | ns |
| | | FO=635 | 0.0 | | 0.0 | | 0.0 | | 0.0 | | ns |
| t _{HEXT} | Input Latch External Hold | FO=32 | 2.2 | | 2.9 | | 3.4 | | 4.9 | | ns |
| | | FO=635 | 2.7 | | 3.7 | | 4.3 | | 6.1 | | ns |
| t _P | Minimum Period (1/f _{max}) | FO=32 | 5.0 | | 7.4 | | 7.9 | | 12.4 | | ns |
| | | FO=635 | 5.5 | | 8.2 | | 8.6 | | 13.7 | | ns |
| f _{HMAX} | Maximum Datapath Frequency | FO=32 | | 182.6 | | 146 | | 127 | | 88.9 | MHz |
| | | FO=635 | | 166.8 | | 133 | | 116 | | 81.2 | MHz |

Note:

1. Routing delays are for typical designs across worst-case operating conditions. These parameters should be used for estimating device performance. Post-route timing analysis or simulation is required to determine actual worst-case performance.

A32100DX Timing Characteristics (continued)

(Worst-Case Commercial Conditions)

| | | Advanced Information | | | | | | | | |
|--|---|----------------------|------|------------|------|-------------|------|------------|------|-------|
| Output Module Timing | | '–2' Speed | | '–1' Speed | | 'Std' Speed | | '–F' Speed | | |
| Parameter | Description | Min. | Max. | Min. | Max. | Min. | Max. | Min. | Max. | Units |
| TTL Output Module Timing¹ | | | | | | | | | | |
| t _{DLH} | Data to Pad High | | 3.7 | | 4.9 | | 5.8 | | 4.8 | ns |
| t _{DHL} | Data to Pad Low | | 4.5 | | 6.0 | | 7.1 | | 6.2 | ns |
| t _{ENZH} | Enable Pad Z to High | | 4.8 | | 6.4 | | 7.5 | | 7.2 | ns |
| t _{ENZL} | Enable Pad Z to Low | | 5.1 | | 6.8 | | 8.0 | | 7.9 | ns |
| t _{ENHZ} | Enable Pad High to Z | | 8.3 | | 11.1 | | 13.0 | | 14.0 | ns |
| t _{ENLZ} | Enable Pad Low to Z | | 8.3 | | 11.1 | | 13.0 | | 14.0 | ns |
| t _{GLH} | G to Pad High | | 8.3 | | 11.1 | | 13.0 | | 8.0 | ns |
| t _{GHL} | G to Pad Low | | 9.0 | | 12.0 | | 14.1 | | 9.0 | ns |
| t _{LSU} | I/O Latch Output Setup | 0.26 | | 0.3 | | 0.4 | | 0.6 | | ns |
| t _{LH} | I/O Latch Output Hold | 0.0 | | 0.0 | | 0.0 | | 0.0 | | ns |
| t _{LCO} | I/O Latch Clock-Out (Pad-to-Pad) 32 I/O | | 8.4 | | 11.1 | | 13.1 | | 18.7 | ns |
| t _{ACO} | Array Latch Clock-Out (Pad-to-Pad) 32 I/O | | 11.8 | | 15.7 | | 18.5 | | 26.5 | ns |
| d _{TLH} | Capacitive Loading, Low to High | | 0.03 | | 0.0 | | 0.05 | | 0.07 | ns/pF |
| d _{THL} | Capacitive Loading, High to Low | | 0.04 | | 0.1 | | 0.07 | | 0.10 | ns/pF |
| t _{WDO} | Hard-Wired Wide Decode Output | | 0.04 | | 0.1 | | 0.06 | | 0.09 | ns |
| CMOS Output Module Timing¹ | | | | | | | | | | |
| t _{DLH} | Data to Pad High | | 4.5 | | 6.0 | | 7.1 | | 9.1 | ns |
| t _{DHL} | Data to Pad Low | | 3.7 | | 4.9 | | 5.8 | | 6.4 | ns |
| t _{ENZH} | Enable Pad Z to High | | 4.8 | | 6.4 | | 7.5 | | 7.2 | ns |
| t _{ENZL} | Enable Pad Z to Low | | 5.1 | | 6.8 | | 8.0 | | 7.9 | ns |
| t _{ENHZ} | Enable Pad High to Z | | 8.3 | | 11.1 | | 13.0 | | 14.0 | ns |
| t _{ENLZ} | Enable Pad Low to Z | | 8.3 | | 11.1 | | 13.0 | | 14.0 | ns |
| t _{GLH} | G to Pad High | | 8.3 | | 11.1 | | 13.0 | | 8.0 | ns |
| t _{GHL} | G to Pad Low | | 9.0 | | 12.0 | | 14.1 | | 9.0 | ns |
| t _{LSU} | I/O Latch Setup | 0.26 | | 0.3 | | 0.4 | | 0.6 | | ns |
| t _{LH} | I/O Latch Hold | 0.0 | | 0.0 | | 0.0 | | 0.0 | | ns |
| t _{LCO} | I/O Latch Clock-Out (Pad-to-Pad) 32 I/O | | 9.9 | | 13.2 | | 15.5 | | 22.3 | ns |
| t _{ACO} | Array Latch Clock-Out (Pad-to-Pad) 32 I/O | | 13.9 | | 18.5 | | 21.8 | | 31.2 | ns |
| d _{TLH} | Capacitive Loading, Low to High | | 0.04 | | 0.1 | | 0.07 | | 0.10 | ns/pF |
| d _{THL} | Capacitive Loading, High to Low | | 0.04 | | 0.1 | | 0.06 | | 0.09 | ns/pF |
| t _{WDO} | Hard-Wired Wide Decode Output | | 0.04 | | 0.1 | | 0.06 | | 0.09 | ns |

Notes:

1. Routing delays are for typical designs across worst-case operating conditions. These parameters should be used for estimating device performance. Post-route timing analysis or simulation is required to determine actual worst-case performance.
2. SSO information can be found in the "Simultaneously Switching Output Limits for Actel FPGAs" application note on page 4-125.

A32200DX Timing Characteristics

(Worst-Case Commercial Conditions)

| | | Advanced Information | | | | | | | | |
|--|--|----------------------|------|------------|------|-------------|------|------------|------|-------|
| Logic Module Propagation Delays | | '-2 Speed | | '-1' Speed | | 'Std' Speed | | '-F' Speed | | |
| Parameter | Description | Min. | Max. | Min. | Max. | Min. | Max. | Min. | Max. | Units |
| Combinatorial Functions | | | | | | | | | | |
| t _{PD} | Internal Array Module Delay | | 2.0 | | 2.7 | | 3.2 | | 5.2 | ns |
| t _{PDD} | Internal Decode Module Delay | | 2.5 | | 3.3 | | 3.9 | | 5.7 | ns |
| Predicted Module Routing Delays | | | | | | | | | | |
| t _{RD1} | FO=1 Routing Delay | | 1.1 | | 1.5 | | 1.8 | | 3.3 | ns |
| t _{RD2} | FO=2 Routing Delay | | 1.7 | | 2.2 | | 2.6 | | 4.3 | ns |
| t _{RD3} | FO=3 Routing Delay | | 2.1 | | 2.8 | | 3.3 | | 5.2 | ns |
| t _{RD4} | FO=4 Routing Delay | | 2.6 | | 3.4 | | 4.0 | | 6.5 | ns |
| t _{RD5} | FO=8 Routing Delay | | 4.5 | | 6.0 | | 7.0 | | 10.0 | ns |
| t _{RDD} | Decode-to-Output Routing Delay | | 0.6 | | 0.8 | | 0.9 | | 0.4 | ns |
| Sequential Timing Characteristics | | | | | | | | | | |
| t _{CO} | Flip-Flop Clock-to-Output | | 2.3 | | 3.1 | | 3.6 | | 5.0 | ns |
| t _{GO} | Latch Gate-to-Output | | 2.0 | | 2.7 | | 3.2 | | 5.0 | ns |
| t _{SU} | Flip-Flop (Latch) Setup Time | 0.3 | | 0.4 | | 0.47 | | 0.7 | | ns |
| t _H | Flip-Flop (Latch) Hold Time | 0.0 | | 0.0 | | 0.0 | | 0.0 | | ns |
| t _{RO} | Flip-Flop (Latch) Reset to Output | | 2.3 | | 3.1 | | 3.6 | | 5.0 | ns |
| t _{SUENA} | Flip-Flop (Latch) Enable Setup | 0.6 | | 0.9 | | 1.0 | | 1.4 | | ns |
| t _{HENA} | Flip-Flop (Latch) Enable Hold | 0.0 | | 0.0 | | 0.0 | | 0.0 | | ns |
| t _{WCLKA} | Flip-Flop (Latch) Clock Active Pulse Width | 3.1 | | 4.2 | | 4.9 | | 7.0 | | ns |
| t _{WASYN} | Flip-Flop (Latch) Asynchronous Pulse Width | 4.1 | | 5.5 | | 6.5 | | 7.0 | | ns |

A32200DX Timing Characteristics (continued)

(Worst-Case Commercial Conditions)

| | | Advanced Information | | | | | | | | |
|-------------------------------------|------------------------------------|----------------------|------|------------|------|-------------|------|------------|------|-------|
| Logic Module Timing | | '-2 Speed | | '-1' Speed | | 'Std' Speed | | '-F' Speed | | |
| Parameter | Description | Min. | Max. | Min. | Max. | Min. | Max. | Min. | Max. | Units |
| Synchronous SRAM Operations | | | | | | | | | | |
| t _{RC} | Read Cycle Time | 6.4 | | 8.5 | | 10.0 | | 14.3 | | ns |
| t _{WC} | Write Cycle Time | 6.4 | | 8.5 | | 10.0 | | 14.3 | | ns |
| t _{RCKHL} | Clock High/Low Time | 3.2 | | 4.3 | | 5.0 | | 7.1 | | ns |
| t _{RCO} | Data Valid After Clock High/Low | | 3.2 | | 4.3 | | 5.0 | | 7.1 | ns |
| t _{ADSU} | Address/Data Setup Time | 1.5 | | 2.0 | | 2.4 | | 3.4 | | ns |
| t _{ADH} | Address/Data Hold Time | 0.0 | | 0.0 | | 0.0 | | 0.0 | | ns |
| t _{RENSU} | Read Enable Setup | 0.6 | | 0.8 | | 0.9 | | 1.4 | | ns |
| t _{RENH} | Read Enable Hold | 3.2 | | 4.3 | | 5.0 | | 0.7 | | ns |
| t _{WENSU} | Write Enable Setup | 2.6 | | 3.4 | | 4.0 | | 5.4 | | ns |
| t _{WENH} | Write Enable Hold | 0.0 | | 0.0 | | 0.0 | | 0.0 | | ns |
| t _{BENS} | Block Enable Setup | 2.6 | | 3.5 | | 4.1 | | 5.6 | | ns |
| t _{BENH} | Block Enable Hold | 0.0 | | 0.0 | | 0.0 | | 0.0 | | ns |
| Asynchronous SRAM Operations | | | | | | | | | | |
| t _{RPD} | Asynchronous Access Time | | 7.7 | | 10.2 | | 12.0 | | 17.2 | ns |
| t _{RDADV} | Read Address Valid | 8.3 | | 11.1 | | 13.0 | | 18.6 | | ns |
| t _{ADSU} | Address/Data Setup Time | 1.5 | | 2.0 | | 2.4 | | 3.4 | | ns |
| t _{ADH} | Address/Data Hold Time | 0.0 | | 0.0 | | 0.0 | | 0.0 | | ns |
| t _{RENSUA} | Read Enable Setup to Address Valid | 0.57 | | 0.8 | | 0.9 | | 1.4 | | ns |
| t _{RENHA} | Read Enable Hold | 3.2 | | 4.3 | | 5.0 | | 7.1 | | ns |
| t _{WENSU} | Write Enable Setup | 2.6 | | 3.4 | | 4.0 | | 5.4 | | ns |
| t _{WENH} | Write Enable Hold | 0.0 | | 0.0 | | 0.0 | | 0.0 | | ns |
| t _{DOH} | Data Out Hold Time | | 1.1 | | 1.5 | | 1.8 | | 2.6 | ns |

A32200DX Timing Characteristics (continued)

(Worst-Case Commercial Conditions)

| | | | Advanced Information | | | | | | | | |
|---------------------------------------|---|--------|----------------------|-------|------------|-------|-------------|-------|------------|------|-------|
| Input Module Propagation Delays | | | ‘-2’ Speed | | ‘-1’ Speed | | ‘Std’ Speed | | ‘-F’ Speed | | |
| Parameter | Description | | Min. | Max. | Min. | Max. | Min. | Max. | Min. | Max. | Units |
| t _{INPY} | Input Data Pad to Y | | | 1.4 | | 1.9 | | 2.2 | | 2.9 | ns |
| t _{INGO} | Input Latch Gate-to-Output ¹ | | | 3.3 | | 4.3 | | 5.1 | | 5.0 | ns |
| t _{INH} | Input Latch Hold ¹ | | 0.0 | | 0.0 | | 0.0 | | 0.0 | | ns |
| t _{INSU} | Input Latch Setup ¹ | | 0.45 | | 0.6 | | 0.7 | | 0.6 | | ns |
| t _{ILA} | Latch Active Pulse Width ¹ | | 4.4 | | 5.9 | | 6.9 | | 7.0 | | ns |
| Input Module Predicted Routing Delays | | | | | | | | | | | |
| t _{IRD1} | FO=1 Routing Delay | | | 1.9 | | 2.6 | | 3.0 | | 6.1 | ns |
| t _{IRD2} | FO=2 Routing Delay | | | 2.5 | | 3.3 | | 3.9 | | 7.0 | ns |
| t _{IRD3} | FO=3 Routing Delay | | | 3.3 | | 4.4 | | 5.2 | | 7.6 | ns |
| t _{IRD4} | FO=4 Routing Delay | | | 3.9 | | 5.2 | | 6.1 | | 8.7 | ns |
| t _{IRD5} | FO=8 Routing Delay | | | 5.0 | | 6.7 | | 7.9 | | 8.7 | ns |
| t _{IRDD} | Decode-to-Output Delay | | | 0.3 | | 0.4 | | 0.5 | | 12.6 | ns |
| Global Clock Network | | | | | | | | | | | |
| t _{CKH} | Input Low to High | FO=32 | | 5.3 | | 7.1 | | 8.3 | | 8.4 | ns |
| | | FO=635 | | 6.1 | | 8.2 | | 9.6 | | 9.9 | ns |
| t _{CKL} | Input High to Low | FO=32 | | 5.2 | | 7.0 | | 8.2 | | 8.4 | ns |
| | | FO=635 | | 6.8 | | 9.0 | | 10.6 | | 11.3 | ns |
| t _{PWH} | Minimum Pulse Width High | FO=32 | 2.7 | | 3.7 | | 4.3 | | 6.1 | | ns |
| | | FO=635 | 2.9 | | 3.9 | | 4.6 | | 6.6 | | ns |
| t _{PWL} | Minimum Pulse Width Low | FO=32 | 2.7 | | 3.7 | | 4.3 | | 6.1 | | ns |
| | | FO=635 | 2.9 | | 3.9 | | 4.6 | | 6.6 | | ns |
| t _{CKSW} | Maximum Skew | FO=32 | | 0.6 | | 0.9 | | 1.0 | | 1.4 | ns |
| | | FO=635 | | 0.6 | | 0.9 | | 1.0 | | 1.4 | ns |
| t _{SUEXT} | Input Latch External Setup | FO=32 | 0.0 | | 0.0 | | 0.0 | | 0.0 | | ns |
| | | FO=635 | 0.0 | | 0.0 | | 0.0 | | 0.0 | | ns |
| t _{HEXT} | Input Latch External Hold | FO=32 | 2.2 | | 2.9 | | 3.4 | | 4.9 | | ns |
| | | FO=635 | 2.7 | | 3.7 | | 4.3 | | 6.1 | | ns |
| t _P | Minimum Period (1/f _{max}) | FO=32 | 5.5 | | 7.4 | | 8.7 | | 12.4 | | ns |
| | | FO=635 | 6.1 | | 8.2 | | 9.6 | | 13.7 | | ns |
| f _{HMAX} | Maximum Datapath Frequency | FO=32 | | 165.3 | | 132.3 | | 115.0 | | 80.0 | MHz |
| | | FO=635 | | 150.9 | | 120.8 | | 105.0 | | 73.0 | MHz |

Note:

1. Routing delays are for typical designs across worst-case operating conditions. These parameters should be used for estimating device performance. Post-route timing analysis or simulation is required to determine actual worst-case performance.

A32200DX Timing Characteristics (continued)

(Worst-Case Commercial Conditions)

| | | Advanced Information | | | | | | | | |
|--|---|----------------------|------|------------|------|-------------|------|------------|------|-------|
| Output Module Timing | | '–2' Speed | | '–1' Speed | | 'Std' Speed | | '–F' Speed | | |
| Parameter | Description | Min. | Max. | Min. | Max. | Min. | Max. | Min. | Max. | Units |
| TTL Output Module Timing¹ | | | | | | | | | | |
| t _{DLH} | Data to Pad High | | 3.7 | | 4.9 | | 5.8 | | 4.8 | ns |
| t _{DHL} | Data to Pad Low | | 4.5 | | 6.0 | | 7.1 | | 6.2 | ns |
| t _{ENZH} | Enable Pad Z to High | | 4.8 | | 6.4 | | 7.5 | | 7.2 | ns |
| t _{ENZL} | Enable Pad Z to Low | | 5.2 | | 6.9 | | 8.1 | | 7.9 | ns |
| t _{ENHZ} | Enable Pad High to Z | | 8.3 | | 11.1 | | 13.0 | | 14.0 | ns |
| t _{ENLZ} | Enable Pad Low to Z | | 8.3 | | 11.1 | | 13.0 | | 14.0 | ns |
| t _{GLH} | G to Pad High | | 8.3 | | 11.1 | | 13.0 | | 8.0 | ns |
| t _{GHL} | G to Pad Low | | 8.9 | | 11.9 | | 14.0 | | 9.0 | ns |
| t _{LSU} | I/O Latch Output Setup | 0.26 | | 0.3 | | 0.4 | | 0.6 | | ns |
| t _{LH} | I/O Latch Output Hold | 0.0 | | 0.0 | | 0.0 | | 0.0 | | ns |
| t _{LCO} | I/O Latch Clock-Out (Pad-to-Pad) 32 I/O | | 8.4 | | 11.1 | | 13.1 | | 18.7 | ns |
| t _{ACO} | Array Latch Clock-Out (Pad-to-Pad) 32 I/O | | 11.8 | | 15.7 | | 18.5 | | 26.5 | ns |
| d _{TLH} | Capacitive Loading, Low to High | | 0.03 | | 0.0 | | 0.05 | | 0.07 | ns/pF |
| d _{THL} | Capacitive Loading, High to Low | | 0.04 | | 0.1 | | 0.07 | | 0.10 | ns/pF |
| t _{WDO} | Hard-Wired Wide Decode Output | | 0.04 | | 0.1 | | 0.06 | | 0.09 | ns |
| CMOS Output Module Timing¹ | | | | | | | | | | |
| t _{DLH} | Data to Pad High | | 3.7 | | 4.9 | | 7.1 | | 9.1 | ns |
| t _{DHL} | Data to Pad Low | | 4.5 | | 6.0 | | 5.8 | | 6.4 | ns |
| t _{ENZH} | Enable Pad Z to High | | 4.8 | | 6.4 | | 7.5 | | 7.2 | ns |
| t _{ENZL} | Enable Pad Z to Low | | 5.2 | | 6.9 | | 8.1 | | 7.9 | ns |
| t _{ENHZ} | Enable Pad High to Z | | 8.3 | | 11.1 | | 13.0 | | 14.0 | ns |
| t _{ENLZ} | Enable Pad Low to Z | | 8.3 | | 11.1 | | 13.0 | | 14.0 | ns |
| t _{GLH} | G to Pad High | | 8.3 | | 11.1 | | 13.0 | | 8.0 | ns |
| t _{GHL} | G to Pad Low | | 8.9 | | 11.9 | | 14.0 | | 9.0 | ns |
| t _{LSU} | I/O Latch Setup | 0.26 | | 0.3 | | 0.4 | | 0.6 | | ns |
| t _{LH} | I/O Latch Hold | 0.0 | | 0.0 | | 0.0 | | 0.0 | | ns |
| t _{LCO} | I/O Latch Clock-Out (Pad-to-Pad) 32 I/O | | 9.9 | | 13.2 | | 15.5 | | 22.3 | ns |
| t _{ACO} | Array Latch Clock-Out (Pad-to-Pad) 32 I/O | | 13.9 | | 18.5 | | 21.8 | | 31.2 | ns |
| d _{TLH} | Capacitive Loading, Low to High | | 0.04 | | 0.1 | | 0.07 | | 0.10 | ns/pF |
| d _{THL} | Capacitive Loading, High to Low | | 0.04 | | 0.1 | | 0.06 | | 0.09 | ns/pF |
| t _{WDO} | Hard-Wired Wide Decode Output | | 0.04 | | 0.1 | | 0.06 | | 0.09 | ns |

Notes:

1. Routing delays are for typical designs across worst-case operating conditions. These parameters should be used for estimating device performance. Post-route timing analysis or simulation is required to determine actual worst-case performance.
2. SSO information can be found in the "Simultaneously Switching Output Limits for Actel FPGAs" application note on page 4-125.

A32300DX Timing Characteristics

(Worst-Case Commercial Conditions)

| | | Advanced Information | | | | | | | | |
|--|--|----------------------|------|------------|------|-------------|------|------------|------|-------|
| Logic Module Propagation Delays | | '-2 Speed | | '-1' Speed | | 'Std' Speed | | '-F' Speed | | |
| Parameter | Description | Min. | Max. | Min. | Max. | Min. | Max. | Min. | Max. | Units |
| Combinatorial Functions | | | | | | | | | | |
| t _{PD} | Internal Array Module Delay | | 2.2 | | 2.9 | | 3.4 | | 5.2 | ns |
| t _{PDD} | Internal Decode Module Delay | | 2.5 | | 3.3 | | 3.9 | | 5.7 | ns |
| Predicted Module Routing Delays | | | | | | | | | | |
| t _{RD1} | FO=1 Routing Delay | | 1.1 | | 1.5 | | 1.8 | | 3.3 | ns |
| t _{RD2} | FO=2 Routing Delay | | 1.7 | | 2.3 | | 2.7 | | 4.3 | ns |
| t _{RD3} | FO=3 Routing Delay | | 2.4 | | 3.1 | | 3.7 | | 5.2 | ns |
| t _{RD4} | FO=4 Routing Delay | | 2.9 | | 3.9 | | 4.6 | | 6.5 | ns |
| t _{RD5} | FO=8 Routing Delay | | 5.2 | | 7.0 | | 8.2 | | 10.0 | ns |
| t _{RDD} | Decode-to-Output Routing Delay | | 0.6 | | 0.8 | | 0.9 | | 0.4 | ns |
| Sequential Timing Characteristics | | | | | | | | | | |
| t _{CO} | Flip-Flop Clock-to-Output | | 2.3 | | 3.1 | | 3.6 | | 5.0 | ns |
| t _{GO} | Latch Gate-to-Output | | 2.2 | | 2.9 | | 3.4 | | 5.0 | ns |
| t _{SU} | Flip-Flop (Latch) Setup Time | 0.3 | | 0.3 | | 0.5 | | 0.7 | | ns |
| t _H | Flip-Flop (Latch) Hold Time | 0.0 | | 0.0 | | 0.0 | | 0.0 | | ns |
| t _{RO} | Flip-Flop (Latch) Reset to Output | | 2.2 | | 3.0 | | 3.5 | | 5.0 | ns |
| t _{SUENA} | Flip-Flop (Latch) Enable Setup | 0.6 | | 0.9 | | 1.0 | | 1.4 | | ns |
| t _{HENA} | Flip-Flop (Latch) Enable Hold | 0.0 | | 0.0 | | 0.0 | | 0.0 | | ns |
| t _{WCLKA} | Flip-Flop (Latch) Clock Active Pulse Width | 3.1 | | 4.2 | | 4.9 | | 7.0 | | ns |
| t _{WASYN} | Flip-Flop (Latch) Asynchronous Pulse Width | 3.5 | | 4.7 | | 5.5 | | 7.0 | | ns |

A32300DX Timing Characteristics (continued)

(Worst-Case Commercial Conditions)

| | | Advanced Information | | | | | | | | |
|-------------------------------------|------------------------------------|----------------------|------|------------|------|-------------|------|------------|------|-------|
| Logic Module Timing | | '-2 Speed | | '-1' Speed | | 'Std' Speed | | '-F' Speed | | |
| Parameter | Description | Min. | Max. | Min. | Max. | Min. | Max. | Min. | Max. | Units |
| Synchronous SRAM Operations | | | | | | | | | | |
| t _{RC} | Read Cycle Time | 6.4 | | 8.5 | | 10.0 | | 14.3 | | ns |
| t _{WC} | Write Cycle Time | 6.4 | | 8.5 | | 10.0 | | 14.3 | | ns |
| t _{RCKHL} | Clock High/Low Time | 3.2 | | 4.3 | | 5.0 | | 7.1 | | ns |
| t _{RCO} | Data Valid After Clock High/Low | | 3.2 | | 4.3 | | 5.0 | | 7.1 | ns |
| t _{ADSU} | Address/Data Setup Time | 1.5 | | 2.0 | | 2.4 | | 3.4 | | ns |
| t _{ADH} | Address/Data Hold Time | 0.0 | | 0.0 | | 0.0 | | 0.0 | | ns |
| t _{RENSU} | Read Enable Setup | 0.6 | | 0.8 | | 0.9 | | 1.4 | | ns |
| t _{RENH} | Read Enable Hold | 3.2 | | 4.3 | | 5.0 | | 0.7 | | ns |
| t _{WENSU} | Write Enable Setup | 2.6 | | 3.4 | | 4.0 | | 5.4 | | ns |
| t _{WENH} | Write Enable Hold | 0.0 | | 0.0 | | 0.0 | | 0.0 | | ns |
| t _{BENS} | Block Enable Setup | 2.6 | | 3.5 | | 4.1 | | 5.6 | | ns |
| t _{BENH} | Block Enable Hold | 0.0 | | 0.0 | | 0.0 | | 0.0 | | ns |
| Asynchronous SRAM Operations | | | | | | | | | | |
| t _{RPD} | Asynchronous Access Time | | 7.7 | | 10.2 | | 12.0 | | 17.2 | ns |
| t _{RDADV} | Read Address Valid | 8.3 | | 11.1 | | 13.0 | | 18.6 | | ns |
| t _{ADSU} | Address/Data Setup Time | 1.5 | | 2.0 | | 2.4 | | 3.4 | | ns |
| t _{ADH} | Address/Data Hold Time | 0.0 | | 0.0 | | 0.0 | | 0.0 | | ns |
| t _{RENSUA} | Read Enable Setup to Address Valid | 0.57 | | 0.8 | | 0.9 | | 1.4 | | ns |
| t _{RENHA} | Read Enable Hold | 3.2 | | 4.3 | | 5.0 | | 7.1 | | ns |
| t _{WENSU} | Write Enable Setup | 2.6 | | 3.4 | | 4.0 | | 5.4 | | ns |
| t _{WENH} | Write Enable Hold | 0.0 | | 0.0 | | 0.0 | | 0.0 | | ns |
| t _{DOH} | Data Out Hold Time | | 1.1 | | 1.5 | | 1.8 | | 2.6 | ns |

A32300DX Timing Characteristics (continued)

(Worst-Case Commercial Conditions)

| | | | Advanced Information | | | | | | | | |
|---------------------------------------|---|--------|----------------------|-------|------------|-------|-------------|------|------------|------|-------|
| Input Module Propagation Delays | | | '-2' Speed | | '-1' Speed | | 'Std' Speed | | '-F' Speed | | |
| Parameter | Description | | Min. | Max. | Min. | Max. | Min. | Max. | Min. | Max. | Units |
| t _{INPY} | Input Data Pad to Y | | | 1.4 | | 1.9 | | 2.2 | | 2.9 | ns |
| t _{INGO} | Input Latch Gate-to-Output ¹ | | | 2.9 | | 3.8 | | 4.5 | | 5.0 | ns |
| t _{INH} | Input Latch Hold ¹ | | 0.0 | | 0.0 | | 0.0 | | 0.0 | | ns |
| t _{INSU} | Input Latch Setup ¹ | | 0.45 | | 0.6 | | 0.7 | | 0.6 | | ns |
| t _{ILA} | Latch Active Pulse Width ¹ | | 4.4 | | 5.9 | | 6.9 | | 7.0 | | ns |
| Input Module Predicted Routing Delays | | | | | | | | | | | |
| t _{IRD1} | FO=1 Routing Delay | | | 1.9 | | 2.6 | | 3.0 | | 6.1 | ns |
| t _{IRD2} | FO=2 Routing Delay | | | 2.5 | | 3.3 | | 3.9 | | 7.0 | ns |
| t _{IRD3} | FO=3 Routing Delay | | | 3.3 | | 4.4 | | 5.2 | | 7.6 | ns |
| t _{IRD4} | FO=4 Routing Delay | | | 3.9 | | 5.2 | | 6.1 | | 8.7 | ns |
| t _{IRD5} | FO=8 Routing Delay | | | 5.0 | | 6.7 | | 7.9 | | 8.7 | ns |
| t _{RDD} | Decode-to-Output Routing Delay | | | 0.6 | | 0.8 | | 0.9 | | | ns |
| Global Clock Network | | | | | | | | | | | |
| t _{CKH} | Input Low to High | FO=32 | | 6.4 | | 8.6 | | 10.1 | | 8.4 | ns |
| | | FO=635 | | 7.3 | | 9.7 | | 11.4 | | 9.9 | ns |
| t _{CKL} | Input High to Low | FO=32 | | 6.6 | | 8.8 | | 10.3 | | 8.4 | ns |
| | | FO=635 | | 7.1 | | 9.5 | | 11.2 | | 11.3 | ns |
| t _{PWH} | Minimum Pulse Width High | FO=32 | 3.0 | | 4.0 | | 4.7 | | 6.1 | | ns |
| | | FO=635 | 3.3 | | 4.3 | | 5.1 | | 6.6 | | ns |
| t _{PWL} | Minimum Pulse Width Low | FO=32 | 3.0 | | 4.0 | | 4.7 | | 6.1 | | ns |
| | | FO=635 | 3.3 | | 4.3 | | 5.1 | | 6.6 | | ns |
| t _{CKSW} | Maximum Skew | FO=32 | | 0.6 | | 0.9 | | 1.0 | | 1.4 | ns |
| | | FO=635 | | 0.6 | | 0.9 | | 1.0 | | 1.4 | ns |
| t _{SUEXT} | Input Latch External Setup | FO=32 | 0.0 | | 0.0 | | 0.0 | | 0.0 | | ns |
| | | FO=635 | 0.0 | | 0.0 | | 0.0 | | 0.0 | | ns |
| t _{HEXT} | Input Latch External Hold | FO=32 | 2.2 | | 2.9 | | 3.4 | | 4.9 | | ns |
| | | FO=635 | 2.7 | | 3.7 | | 4.3 | | 6.1 | | ns |
| t _P | Minimum Period (1/f _{max}) | FO=32 | 5.5 | | 7.4 | | 9.3 | | 12.4 | | ns |
| | | FO=635 | 6.1 | | 8.2 | | 10.2 | | 13.7 | | ns |
| f _{HMAX} | Maximum Datapath Frequency | FO=32 | | 153.8 | | 123.1 | | 107 | | 74.9 | MHz |
| | | FO=635 | | 140.9 | | 112.7 | | 98 | | 68.6 | MHz |

Note:

1. Routing delays are for typical designs across worst-case operating conditions. These parameters should be used for estimating device performance. Post-route timing analysis or simulation is required to determine actual worst-case performance.

A32300DX Timing Characteristics (continued)

(Worst-Case Commercial Conditions)

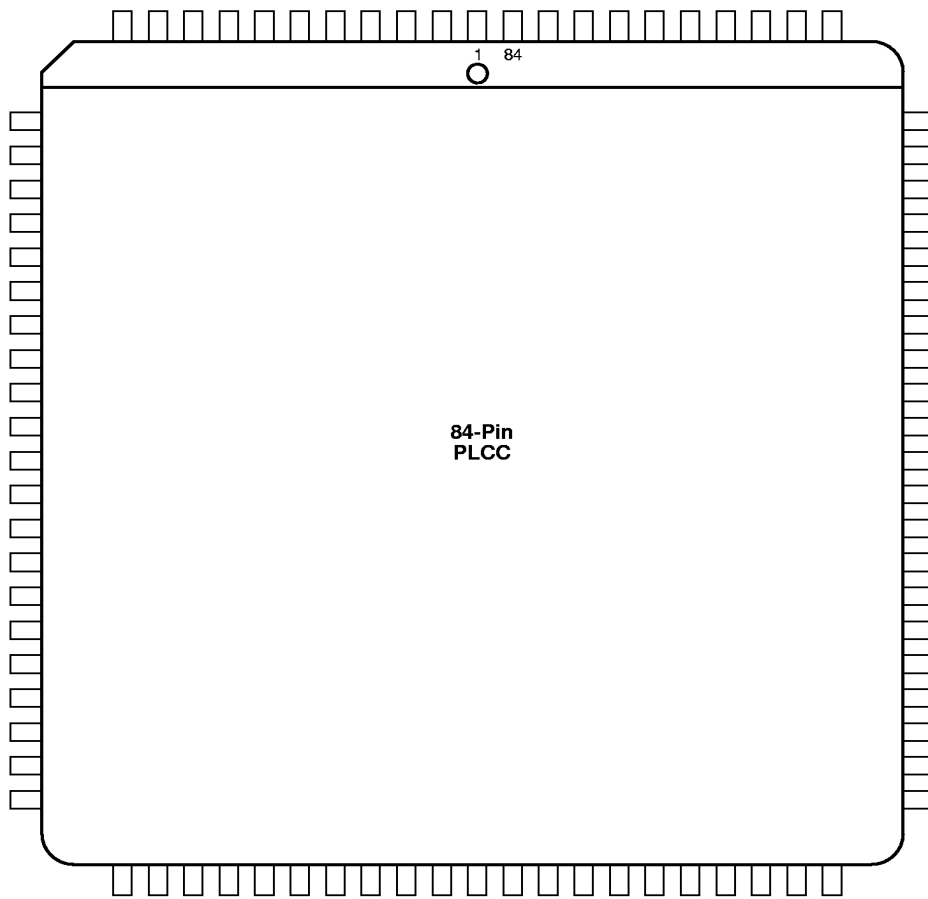
| | | Advanced Information | | | | | | | | |
|--|---|----------------------|------|------------|------|-------------|------|------------|------|-------|
| Output Module Timing | | '–2' Speed | | '–1' Speed | | 'Std' Speed | | '–F' Speed | | |
| Parameter | Description | Min. | Max. | Min. | Max. | Min. | Max. | Min. | Max. | Units |
| TTL Output Module Timing¹ | | | | | | | | | | |
| t _{DLH} | Data to Pad High | | 3.7 | | 4.9 | | 5.8 | | 4.8 | ns |
| t _{DHL} | Data to Pad Low | | 4.4 | | 5.9 | | 6.9 | | 6.2 | ns |
| t _{ENZH} | Enable Pad Z to High | | 4.8 | | 6.4 | | 7.5 | | 7.2 | ns |
| t _{ENZL} | Enable Pad Z to Low | | 5.1 | | 6.8 | | 8.0 | | 7.9 | ns |
| t _{ENHZ} | Enable Pad High to Z | | 8.3 | | 11.1 | | 13.0 | | 14.0 | ns |
| t _{ENLZ} | Enable Pad Low to Z | | 8.3 | | 11.1 | | 13.0 | | 14.0 | ns |
| t _{GLH} | G to Pad High | | 4.3 | | 5.7 | | 6.7 | | 8.0 | ns |
| t _{GHL} | G to Pad Low | | 5.4 | | 7.1 | | 8.4 | | 9.0 | ns |
| t _{LSU} | I/O Latch Output Setup | 0.26 | | 0.3 | | 0.4 | | 0.6 | | ns |
| t _{LH} | I/O Latch Output Hold | 0.0 | | 0.0 | | 0.0 | | 0.0 | | ns |
| t _{LCO} | I/O Latch Clock-Out (Pad-to-Pad) 32 I/O | | 8.4 | | 11.1 | | 13.1 | | 18.7 | ns |
| t _{ACO} | Array Latch Clock-Out (Pad-to-Pad) 32 I/O | | 11.8 | | 15.7 | | 18.5 | | 26.5 | ns |
| d _{TLH} | Capacitive Loading, Low to High | | 0.26 | | 0.3 | | 0.4 | | 0.07 | ns/pF |
| d _{THL} | Capacitive Loading, High to Low | | 0.32 | | 0.4 | | 0.5 | | 0.10 | ns/pF |
| t _{WDO} | Hard-Wired Wide Decode Output | | 0.03 | | 0.04 | | 0.05 | | 0.09 | ns |
| CMOS Output Module Timing¹ | | | | | | | | | | |
| t _{DLH} | Data to Pad High | | 4.4 | | 5.9 | | 6.9 | | 9.1 | ns |
| t _{DHL} | Data to Pad Low | | 3.7 | | 4.9 | | 5.8 | | 6.4 | ns |
| t _{ENZH} | Enable Pad Z to High | | 4.8 | | 6.4 | | 7.5 | | 7.2 | ns |
| t _{ENZL} | Enable Pad Z to Low | | 5.1 | | 6.8 | | 8.0 | | 7.9 | ns |
| t _{ENHZ} | Enable Pad High to Z | | 8.3 | | 11.1 | | 13.0 | | 14.0 | ns |
| t _{ENLZ} | Enable Pad Low to Z | | 8.3 | | 11.1 | | 13.0 | | 14.0 | ns |
| t _{GLH} | G to Pad High | | 4.3 | | 5.7 | | 6.7 | | 8.0 | ns |
| t _{GHL} | G to Pad Low | | 5.4 | | 7.1 | | 8.4 | | 9.0 | ns |
| t _{LSU} | I/O Latch Setup | 0.26 | | 0.34 | | 0.4 | | 0.6 | | ns |
| t _{LH} | I/O Latch Hold | 0.0 | | 0.0 | | 0.0 | | 0.0 | | ns |
| t _{LCO} | I/O Latch Clock-Out (Pad-to-Pad) 32 I/O | | 9.9 | | 13.2 | | 15.5 | | 22.3 | ns |
| t _{ACO} | Array Latch Clock-Out (Pad-to-Pad) 32 I/O | | 13.9 | | 18.5 | | 21.8 | | 31.2 | ns |
| d _{TLH} | Capacitive Loading, Low to High | | 0.32 | | 0.4 | | 0.5 | | 0.10 | ns/pF |
| d _{THL} | Capacitive Loading, High to Low | | 0.26 | | 0.3 | | 0.4 | | 0.09 | ns/pF |
| t _{WDO} | Hard-Wired Wide Decode Output | | 0.03 | | 0.04 | | 0.05 | | 0.09 | ns |

Notes:

1. Routing delays are for typical designs across worst-case operating conditions. These parameters should be used for estimating device performance. Post-route timing analysis or simulation is required to determine actual worst-case performance.
2. SSO information can be found in the "Simultaneously Switching Output Limits for Actel FPGAs" application note on page 4-125.

Package Pin Assignments

84-Pin PLCC Package (Top View)



84-Pin PLCC Package

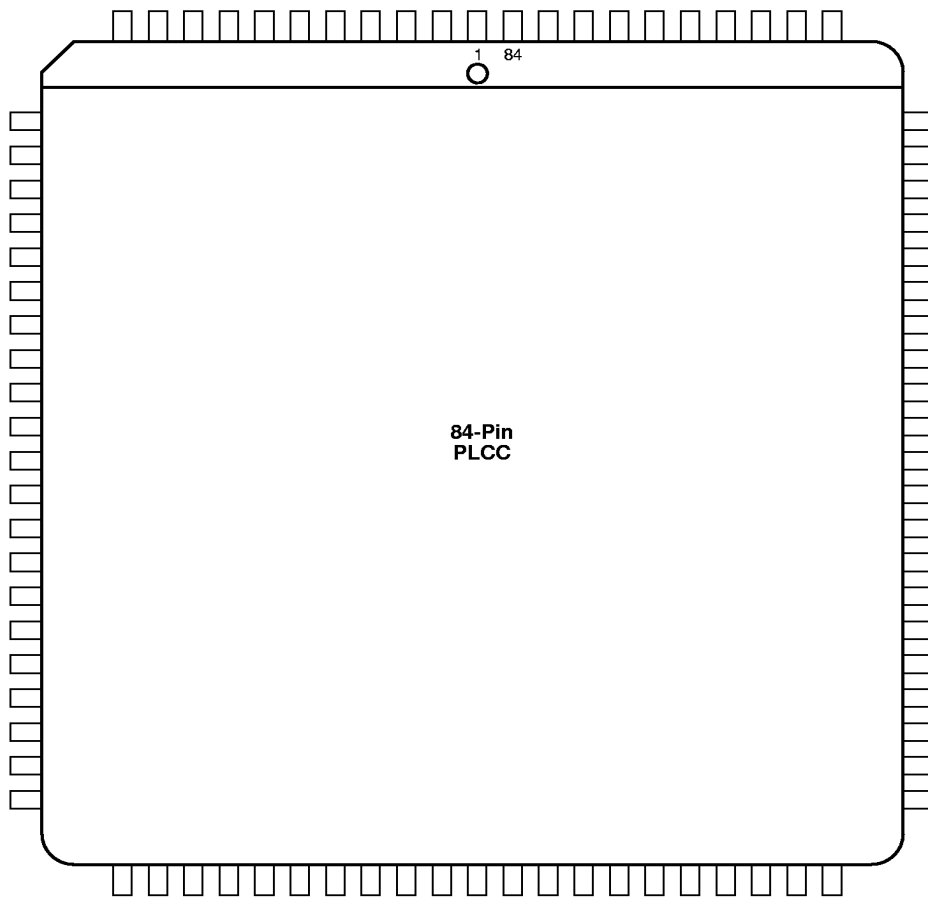
| Pin Number | A1225XL Function | A1240XL Function | A3265DX Function | A1280XL Function | A32100DX Function |
|------------|------------------|------------------|------------------|------------------|-------------------|
| 2 | CLKB,I/O | CLKB,I/O | CLKB,I/O | CLKB,I/O | CLKB |
| 4 | PRB,I/O | PRB,I/O | PRB,I/O | PRB,I/O | PRB |
| 5 | I/O | I/O | I/O (WD) | I/O | I/O (WD) |
| 6 | GND | GND | GND | GND | — |
| 7 | — | — | — | — | QCLKC |
| 8 | I/O | I/O | I/O (WD) | I/O | I/O (WD) |
| 9 | I/O | I/O | I/O (WD) | I/O | I/O (WD) |
| 10 | DCLK,I/O | DCLK,I/O | DCLK,I/O | DCLK,I/O | DCLK |
| 12 | MODE (GND) | MODE (GND) | MODE (GND) | MODE (GND) | MODE (GND) |
| 22 | VCC | VCC | VCC | VCC | VCC |
| 23 | VCC | VCC | VCC | VCC | VSV (VCC) |
| 28 | GND | GND | GND | GND | GND |
| 38 | I/O | I/O | I/O (WD) | I/O | I/O |
| 39 | I/O | I/O | I/O (WD) | I/O | I/O |
| 43 | VCC | VCC | VCC | VCC | VCC |
| 44 | I/O | I/O | I/O (WD) | I/O | I/O |
| 46 | I/O | I/O | I/O (WD) | I/O | I/O |
| 47 | I/O | I/O | I/O (WD) | I/O | I/O |
| 49 | GND | GND | GND | GND | GND |
| 63 | GND | GND | GND | GND | GND |
| 64 | VCC | VCC | VCC | VCC | VCC |
| 65 | VCC | VCC | VCC | VCC | VCC |
| 70 | GND | GND | GND | GND | GND |
| 76 | SDI,I/O | SDI,I/O | SDI,I/O | SDI,I/O | SDI,I/O |
| 78 | I/O | I/O | I/O (WD) | I/O | I/O |
| 79 | I/O | I/O | I/O (WD) | I/O | I/O |
| 80 | I/O | I/O | I/O (WD) | I/O | I/O |
| 81 | PRA,I/O | PRA,I/O | PRA,I/O | PRA,I/O | PRA,I/O |
| 83 | CLKA,I/O | CLKA,I/O | CLKA,I/O | CLKA,I/O | CLKA,I/O |
| 84 | VCC | VCC | VCC | VCC | VCC |

Notes:

1. I/O (WD) : Denotes I/O pin with an associated Wide Decode Module
2. Wide Decode I/O (WD) can also be general purpose user I/O
3. NC : Denotes No Connection
4. All unlisted pin numbers are user I/O's
5. MODE should be terminated to GND through a 10K resistor to enable Actionprobe usage; otherwise it can be terminated directly to GND.

Package Pin Assignments

84-Pin PLCC Package (Top View)



84-Pin PLCC Package

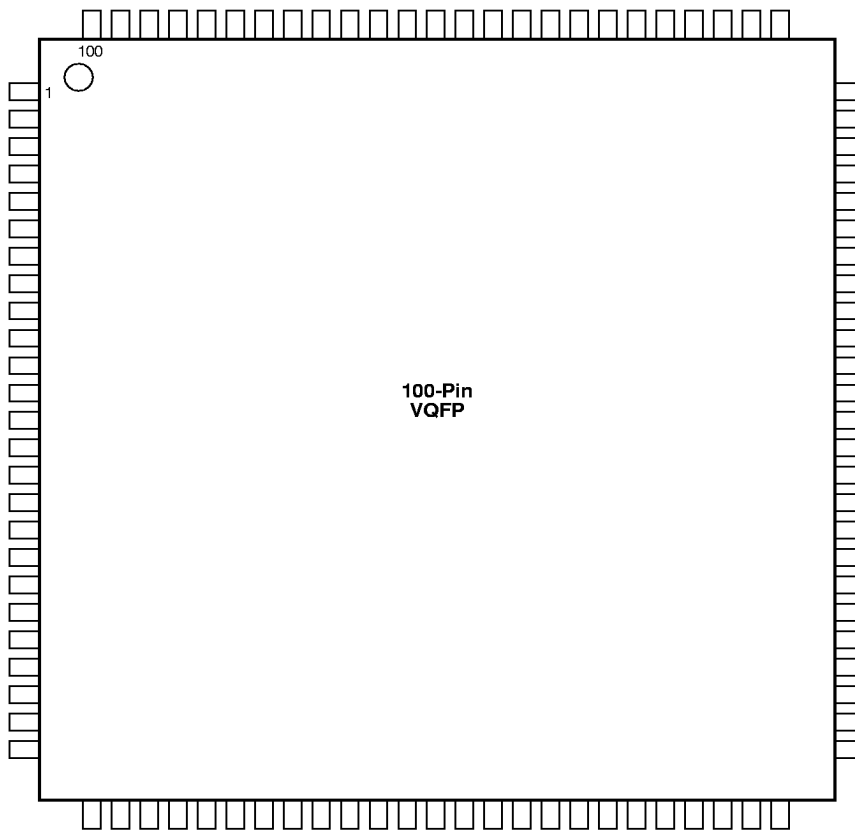
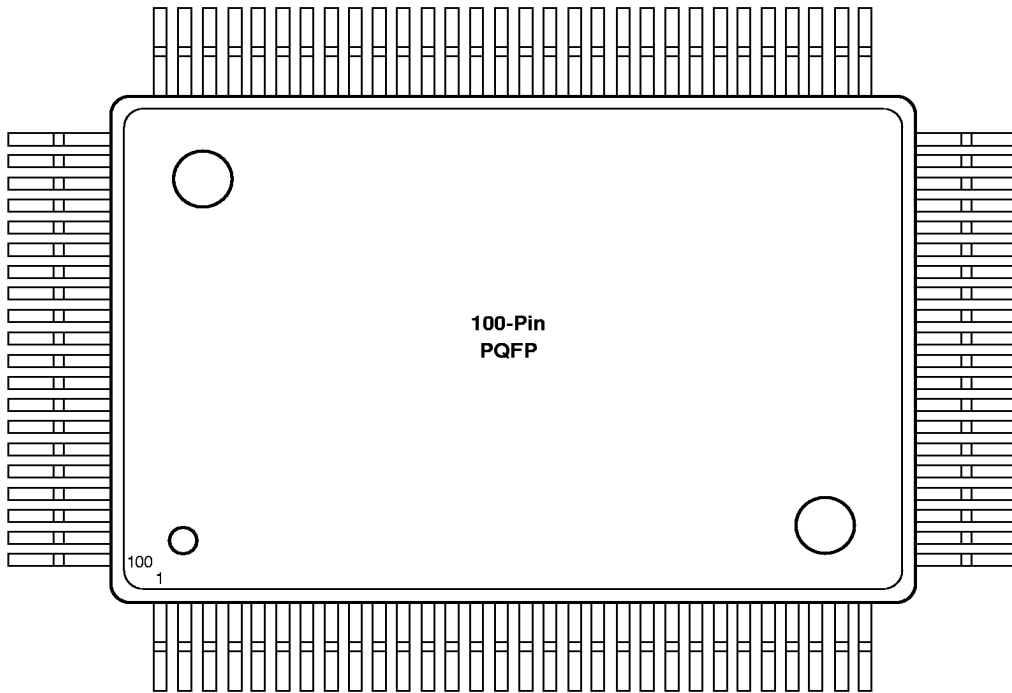
| Pin Number | A32100DX Function |
|------------|-------------------|
| 2 | CLKB, I/O |
| 4 | PRB, I/O |
| 5 | I/O (WD) |
| 7 | QCLKC, I/O |
| 8 | I/O (WD) |
| 9 | I/O (WD) |
| 10 | DCLK, I/O |
| 12 | MODE (GND) |
| 22 | VCC |
| 23 | VSV (VCC) |
| 28 | GND |
| 34 | TMS, I/O |
| 35 | TDI, I/O |
| 36 | I/O (WD) |
| 37 | QCLKA, I/O |
| 38 | I/O (WD) |
| 39 | I/O (WD) |
| 43 | VCC |
| 44 | I/O (WD) |
| 45 | QCLKB, I/O |
| 46 | I/O (WD) |
| 47 | I/O (WD) |
| 50 | GND |
| 51 | I/O (WD) |
| 52 | SDI |
| 53 | TCK, I/O |
| 63 | VKS (GND) |
| 64 | VPP (VCC) |
| 65 | VCC |
| 70 | GND |
| 76 | SDI, I/O |
| 78 | I/O (WD) |
| 79 | I/O (WD) |
| 80 | QCLKD, I/O |
| 81 | PRA, I/O |
| 83 | CLKA, I/O |
| 84 | VCC |

Notes:

1. *I/O (WD)* : Denotes I/O pin with an associated Wide Decode Module
2. *Wide Decode I/O (WD)* can also be general purpose user I/O
3. *NC* : Denotes No Connection
4. All unlisted pin numbers are user I/O's
5. *MODE* should be terminated to GND through a 10K resistor to enable Actionprobe usage; otherwise it can be terminated directly to GND.

Package Pin Assignments (continued)

100-pin PQFP Package, 100-pin VQFP Package (Top View)



100-pin PQFP Package, 100-pin VQFP Package

| Pin Number | A1225XL-PQ100 Function | A1225XL-VQ100 Function | A1240XL-PQ100 Function |
|------------|------------------------|------------------------|------------------------|
| 2 | DCLK, I/O | MODE (GND) | DCLK, I/O |
| 4 | MODE | I/O | MODE (GND) |
| 7 | I/O | GND | I/O |
| 9 | GND | I/O | GND |
| 14 | I/O | VCC | I/O |
| 15 | I/O | VCC | I/O |
| 16 | VCC | I/O | VCC |
| 17 | VCC | I/O | VCC |
| 20 | I/O | GND | I/O |
| 22 | GND | I/O | GND |
| 32 | I/O | GND | I/O |
| 34 | GND | I/O | GND |
| 38 | I/O | VCC | I/O |
| 40 | VCC | I/O | VCC |
| 44 | I/O | GND | I/O |
| 46 | GND | I/O | GND |
| 55 | I/O | GND | I/O |
| 57 | GND | I/O | GND |
| 62 | I/O | GND | I/O |
| 63 | I/O | VCC | I/O |

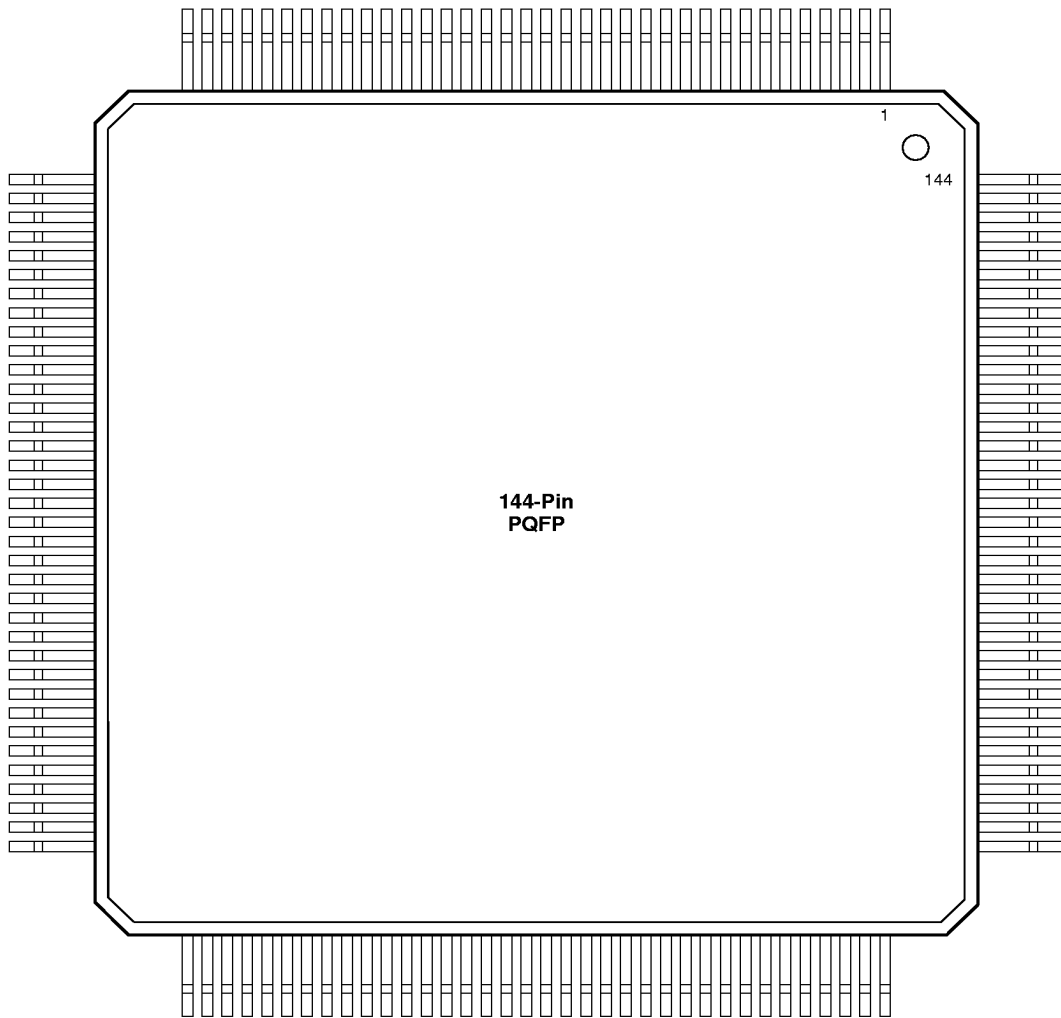
| Pin Number | A1225XL-PQ100 Function | A1225XL-VQ100 Function | A1240XL-PQ100 Function |
|------------|------------------------|------------------------|------------------------|
| 64 | GND | VCC | GND |
| 65 | VCC | VCC | VCC |
| 66 | VCC | I/O | VCC |
| 67 | VCC | I/O | VCC |
| 70 | I/O | GND | I/O |
| 72 | GND | I/O | GND |
| 77 | I/O | SDI, I/O | I/O |
| 79 | SDI, I/O | I/O | SDI, I/O |
| 82 | I/O | GND | I/O |
| 84 | GND | I/O | GND |
| 85 | I/O | PRA, I/O | I/O |
| 87 | PRA, I/O | CLKA, I/O | PRA, I/O |
| 88 | I/O | VCC | I/O |
| 89 | CLKA, I/O | I/O | CLKA, I/O |
| 90 | VCC | CLKB, I/O | VCC |
| 92 | CLKB, I/O | PRB, I/O | CLKB, I/O |
| 94 | PRB, I/O | GND | PRB, I/O |
| 96 | GND | I/O | GND |
| 100 | I/O | DCLK, I/O | I/O |

Notes:

1. NC : Denotes No Connection
2. All unlisted pin numbers are user I/O's
3. MODE should be terminated to GND through a 10K resistor to enable Actionprobe usage; otherwise it can be terminated directly to GND.

Package Pin Assignments (continued)

144-Pin PQFP Package (Top View)



144-Pin PQFP Package

| Pin Number | A1240XL Function |
|------------|------------------|
| 2 | MODE (GND) |
| 9 | GND |
| 10 | GND |
| 11 | GND |
| 18 | VCC |
| 19 | VCC |
| 20 | VCC |
| 21 | VCC |
| 28 | GND |
| 29 | GND |
| 30 | GND |
| 44 | GND |
| 45 | GND |
| 46 | GND |
| 54 | VCC |
| 55 | VCC |
| 56 | VCC |
| 64 | GND |
| 65 | GND |
| 79 | GND |
| 80 | GND |
| 81 | GND |
| 88 | GND |

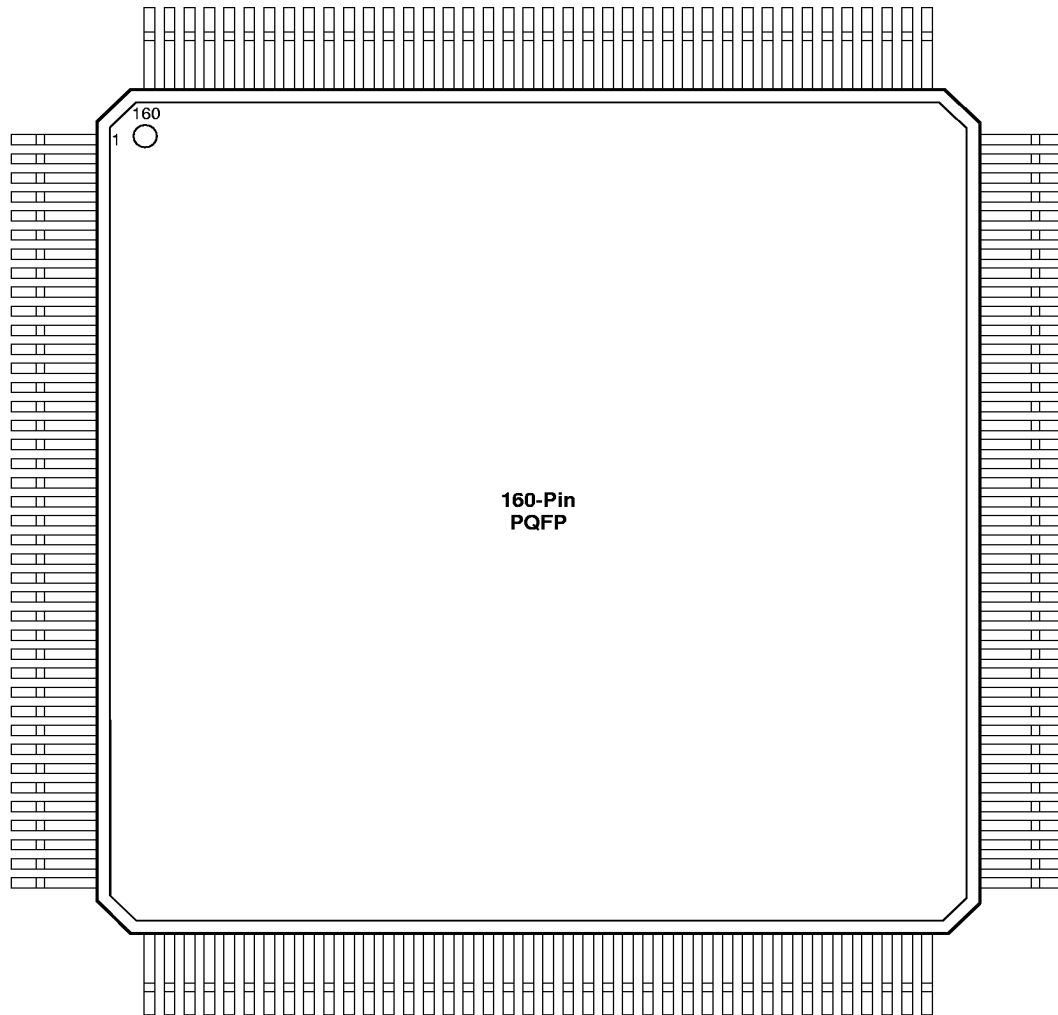
| Pin Number | A1240XL Function |
|------------|------------------|
| 89 | VCC |
| 90 | VCC |
| 91 | VCC |
| 92 | VCC |
| 93 | VCC |
| 100 | GND |
| 101 | GND |
| 102 | GND |
| 110 | SDI, I/O |
| 116 | GND |
| 117 | GND |
| 118 | GND |
| 123 | PRA, I/O |
| 125 | CLKA, I/O |
| 126 | VCC |
| 127 | VCC |
| 128 | VCC |
| 130 | CLKB, I/O |
| 132 | PRB, I/O |
| 136 | GND |
| 137 | GND |
| 138 | GND |
| 144 | DCLK, I/O |

Notes:

1. *NC* : Denotes No Connection
2. All unlisted pin numbers are user I/O's
3. *MODE* should be terminated to GND through a 10K resistor to enable Actionprobe usage; otherwise it can be terminated directly to GND.

Package Pin Assignments (continued)

160-pin PQFP Package (Top View)



Notes:

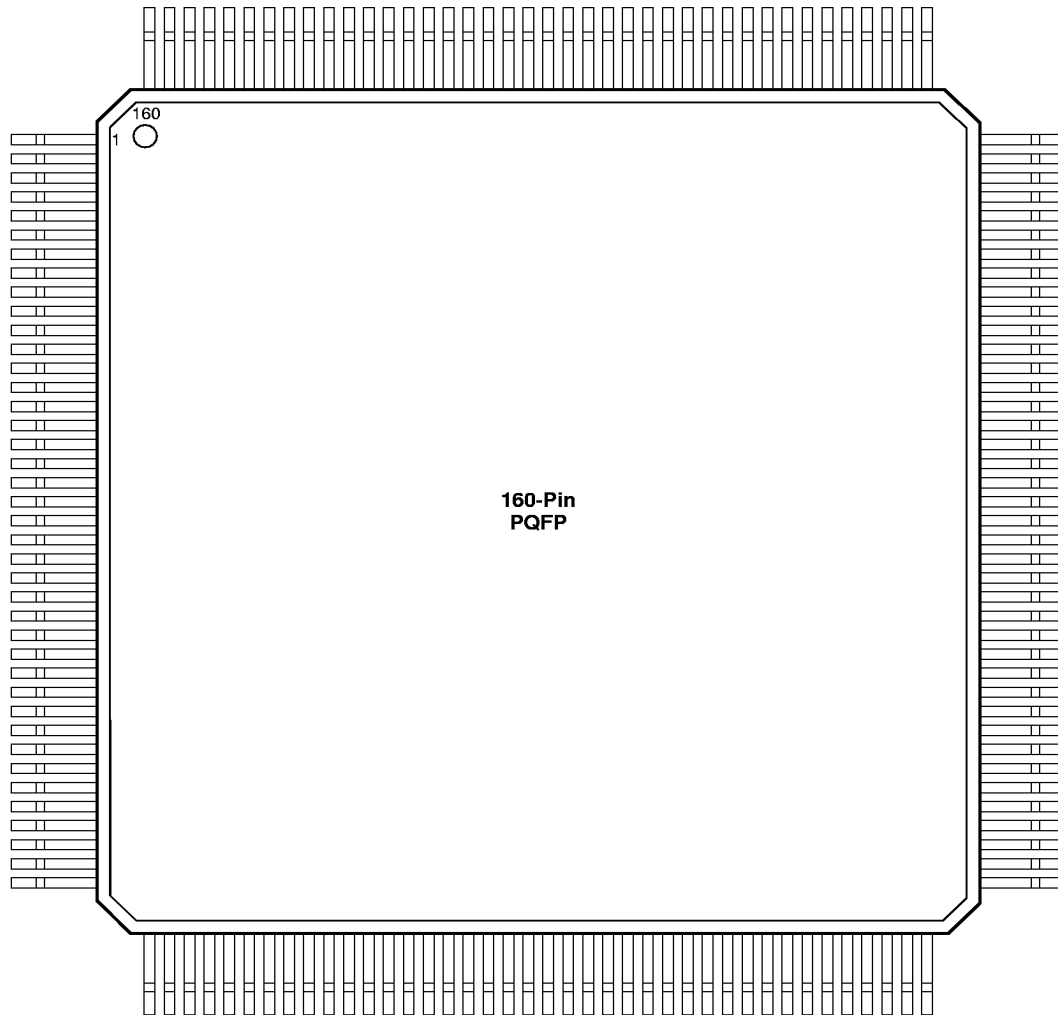
1. *I/O (WD) : Denotes I/O pin with an associated Wide Decode Module*
2. *Wide Decode I/O (WD) can also be general purpose user I/O*
3. *NC : Denotes No Connection*
4. *All unlisted pin numbers are user I/O's*
5. *MODE should be terminated to GND through a 10K resistor to enable Actionprobe usage; otherwise it can be terminated directly to GND.*

160-Pin PQFP Package

| Pin Number | A3265DX Function | A1280XL Function | A32140DX Function | Pin Number | A3265DX Function | A1280XL Function | A32140DX Function |
|------------|------------------|------------------|-------------------|------------|------------------|------------------|-------------------|
| 2 | DCLK,I/O | DCLK,I/O | DCLK,I/O | 80 | GND | GND | GND |
| 4 | I/O | I/O | I/O (WD) | 82 | I/O | I/O | TDO, I/O |
| 5 | I/O (WD) | I/O | I/O (WD) | 83 | I/O | I/O | I/O (WD) |
| 6 | VCC | VCC | VCC | 84 | I/O | I/O | I/O (WD) |
| 7 | I/O (WD) | I/O | I/O | 86 | VCC | VCC | VCC |
| 11 | GND | GND | GND | 87 | I/O (WD) | I/O | I/O |
| 13 | I/O (WD) | I/O | I/O (WD) | 88 | I/O (WD) | I/O | I/O (WD) |
| 14 | I/O (WD) | I/O | I/O (WD) | 89 | GND | GND | GND |
| 16 | PRB,I/O | PRB,I/O | PRB,I/O | 92 | I/O (WD) | I/O | I/O |
| 18 | CLKB,I/O | CLKB,I/O | CLKB,I/O | 93 | I/O (WD) | I/O | I/O |
| 20 | VCC | VCC | VCC | 96 | I/O (WD) | I/O | I/O (WD) |
| 21 | CLKA,I/O | CLKA,I/O | CLKA,I/O | 97 | I/O (WD) | I/O | I/O |
| 23 | PRA,I/O | PRA,I/O | PRA,I/O | 98 | VCC | VCC | VCC |
| 24 | I/O | I/O | I/O (WD) | 99 | GND | GND | GND |
| 25 | I/O (WD) | I/O | I/O (WD) | 106 | I/O (WD) | I/O | I/O (WD) |
| 26 | I/O (WD) | I/O | I/O | 107 | I/O (WD) | I/O | I/O (WD) |
| 29 | I/O (WD) | I/O | I/O (WD) | 109 | GND | GND | GND |
| 30 | GND | GND | GND | 111 | I/O (WD) | I/O | I/O (WD) |
| 31 | I/O (WD) | I/O | I/O (WD) | 112 | I/O (WD) | I/O | I/O (WD) |
| 34 | I/O (WD) | I/O | I/O | 114 | VCC | VCC | VCC |
| 35 | VCC | VCC | VCC | 115 | I/O | I/O | I/O (WD) |
| 36 | I/O (WD) | I/O | I/O (WD) | 116 | I/O | I/O | I/O (WD) |
| 37 | I/O | I/O | I/O (WD) | 118 | I/O | I/O | TDI, I/O |
| 38 | SDI,I/O | SDI,I/O | SDI,I/O | 119 | I/O | I/O | TMS, I/O |
| 40 | GND | GND | GND | 120 | GND | GND | GND |
| 44 | GND | GND | GND | 125 | GND | GND | GND |
| 49 | GND | GND | GND | 130 | GND | GND | GND |
| 54 | VCC | VCC | VCC | 135 | VCC | VCC | VCC |
| 57 | VCC | VCC | VCC | 138 | VCC | VCC | VCC |
| 58 | VCC | VCC | VCC | 139 | VCC | VCC | VCC |
| 59 | GND | GND | GND | 140 | GND | GND | GND |
| 60 | VCC | VCC | VCC | 145 | GND | GND | GND |
| 61 | GND | GND | GND | 150 | VCC | VCC | VCC |
| 62 | I/O | I/O | TCK, I/O | 155 | GND | GND | GND |
| 64 | GND | GND | GND | 159 | MODE (GND) | MODE (GND) | MODE (GND) |
| 69 | GND | GND | GND | 160 | GND | GND | GND |

Package Pin Assignments (continued)

160-pin PQFP Package (Top View)



Notes:

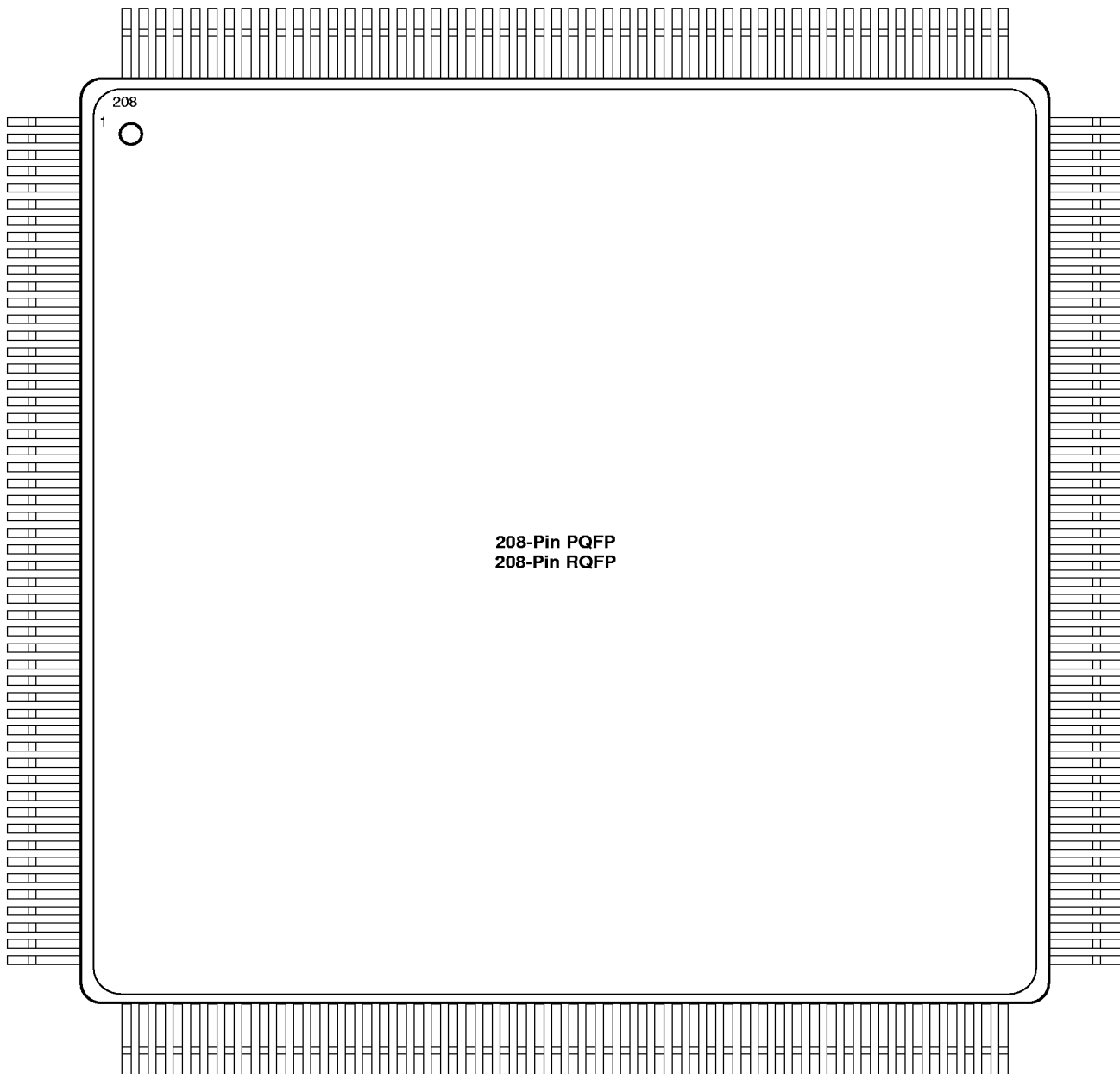
1. *I/O (WD) : Denotes I/O pin with an associated Wide Decode Module*
2. *Wide Decode I/O (WD) can also be general purpose user I/O*
3. *NC : Denotes No Connection*
4. *All unlisted pin numbers are user I/O's*
5. *MODE should be terminated to GND through a 10K resistor to enable Actionprobe usage; otherwise it can be terminated directly to GND.*

160-Pin PQFP Package

| Pin Number | A32100DX Function | Pin Number | A32100DX Function |
|------------|-------------------|------------|-------------------|
| 2 | DCLK | 80 | GND |
| 4 | I/O (WD) | 82 | SDO, I/O |
| 5 | I/O (WD) | 83 | I/O (WD) |
| 6 | VCC | 84 | I/O (WD) |
| 11 | GND | 86 | VCC |
| 12 | QCLKC, I/O | 88 | I/O (WD) |
| 13 | I/O (WD) | 89 | GND |
| 14 | I/O (WD) | 90 | I/O (WD) |
| 16 | PRB, I/O | 91 | QCLKB, I/O |
| 18 | CLKB, I/O | 95 | I/O (WD) |
| 20 | VCC | 96 | I/O (WD) |
| 21 | CLKA, I/O | 98 | VCC |
| 23 | PRA, I/O | 99 | GND |
| 24 | I/O (WD) | 106 | I/O (WD) |
| 25 | I/O (WD) | 107 | I/O (WD) |
| 28 | QCLKD | 110 | QCLKA, I/O |
| 29 | I/O (WD) | 114 | VCC |
| 30 | GND | 115 | I/O (WD) |
| 31 | I/O (WD) | 116 | I/O (WD) |
| 35 | VCC | 118 | TDI, I/O |
| 36 | I/O (WD) | 119 | TMS, I/O |
| 37 | I/O (WD) | 120 | GND |
| 38 | SDI, I/O | 125 | GND |
| 40 | GND | 135 | VCC |
| 54 | VCC | 138 | VSV (VCC) |
| 57 | VSV (VCC) | 139 | VCC |
| 58 | VCC | 140 | GND |
| 59 | GND | 145 | GND |
| 60 | VPP (VCC) | 150 | VCC |
| 61 | VKS (GND) | 155 | GND |
| 62 | TCK, I/O | 159 | MODE (GND) |
| 64 | GND | 160 | GND |
| 69 | GND | | |

Package Pin Assignments (continued)

208-Pin PQFP Package, 208-pin RQFP Package (Top View)



Notes:

1. I/O (WD) : Denotes I/O pin with an associated Wide Decode Module
2. Wide Decode I/O (WD) can also be general purpose user I/O
3. NC : Denotes No Connection
4. All unlisted pin numbers are user I/O's
5. MODE should be terminated to GND through a 10K resistor to enable Actionprobe usage; otherwise it can be terminated directly to GND.
6. RQFP has an exposed circular metal heatsink on the top surface.

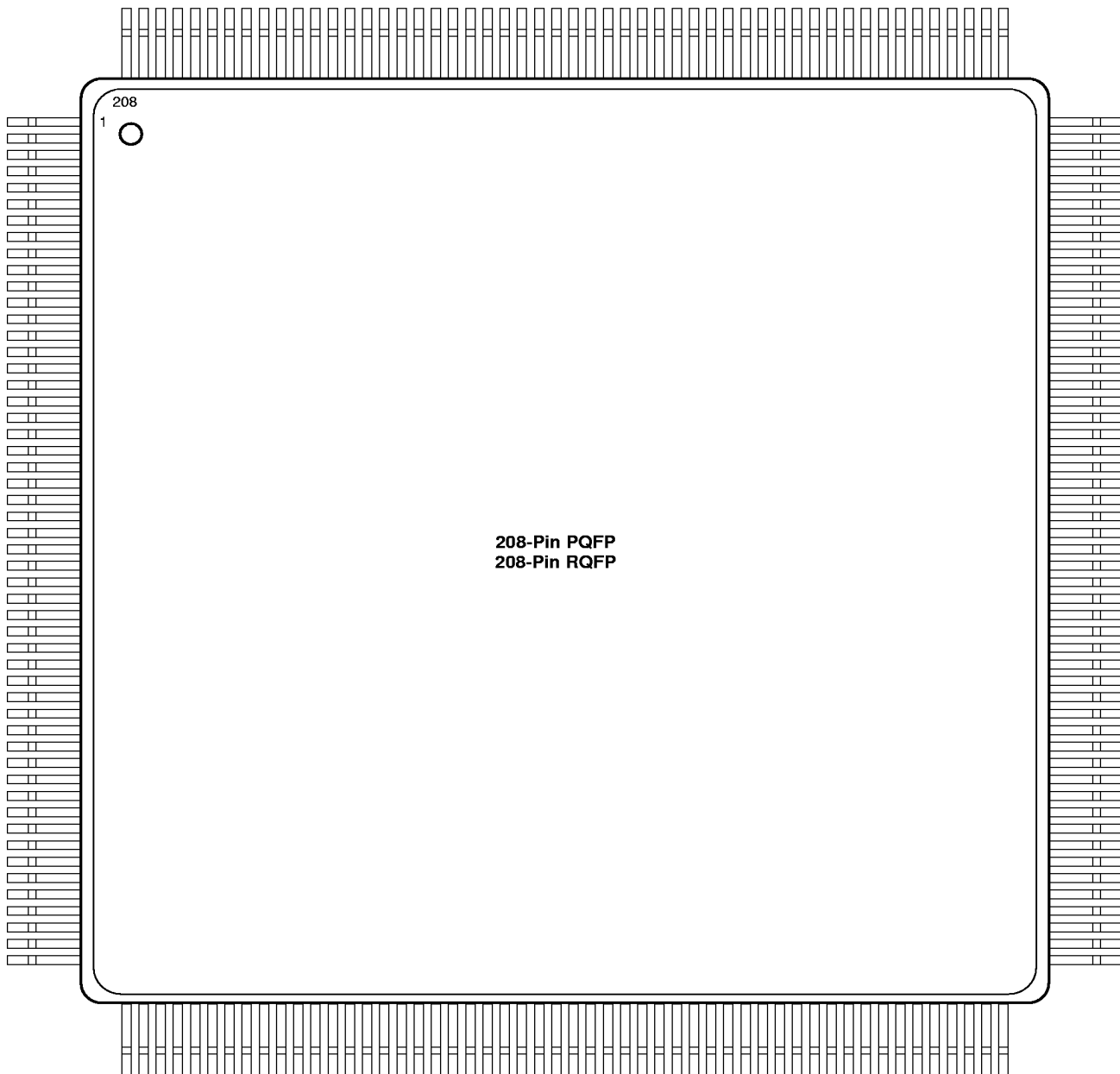
208-Pin PQFP Package, 208-pin RQFP Package

| Pin Number | A1280XL Function | A32140DX Function | A32200DX-PQ208 Function | A32200DX-RQ208 Function |
|------------|------------------|-------------------|-------------------------|-------------------------|
| 1 | GND | GND | GND | I/O |
| 2 | NC | VCC | VCC | DCLK, I/O |
| 3 | MODE (GND) | MODE (GND) | MODE (GND) | I/O |
| 5 | I/O | I/O | I/O | I/O (WD) |
| 6 | I/O | I/O | I/O | I/O (WD) |
| 7 | I/O | I/O | I/O | VCC |
| 9 | NC | I/O | I/O | I/O |
| 10 | NC | I/O | I/O | I/O |
| 11 | NC | I/O | I/O | I/O |
| 13 | I/O | I/O | I/O | QCLKC, I/O |
| 15 | I/O | I/O | I/O | I/O (WD) |
| 16 | NC | I/O | I/O | I/O (WD) |
| 17 | VCC | VCC | VCC | I/O |
| 19 | I/O | I/O | I/O | I/O (WD) |
| 20 | I/O | I/O | I/O | I/O (WD) |
| 22 | GND | GND | GND | PRB, I/O |
| 24 | I/O | I/O | I/O | CLKB, I/O |
| 26 | I/O | I/O | I/O | GND |
| 27 | GND | GND | GND | VCC |
| 28 | VCC | VCC | VCC | I/O |
| 29 | VCC | VCC | VCC | CLKA, I/O |
| 30 | I/O | I/O | I/O | PRA, I/O |
| 32 | VCC | VCC | VCC | I/O (WD) |
| 33 | I/O | I/O | I/O | I/O (WD) |
| 38 | I/O | I/O | I/O | QCLKD, I/O |
| 40 | I/O | I/O | I/O | I/O (WD) |
| 41 | NC | I/O | I/O | I/O (WD) |
| 42 | NC | I/O | I/O | I/O |
| 43 | NC | I/O | I/O | I/O |
| 45 | I/O | I/O | I/O | VCC |
| 47 | I/O | I/O | I/O | I/O (WD) |
| 48 | I/O | I/O | I/O | I/O (WD) |
| 50 | NC | I/O | I/O | SDI, I/O |
| 51 | NC | I/O | I/O | I/O |
| 52 | GND | GND | GND | GND |
| 53 | GND | GND | GND | I/O |
| 54 | I/O | TMS, I/O | TMS, I/O | I/O |
| 55 | I/O | TDI, I/O | TDI, I/O | I/O |
| 57 | I/O | I/O (WD) | I/O (WD) | I/O |
| 58 | I/O | I/O (WD) | I/O (WD) | I/O |
| 59 | I/O | I/O | I/O | GND |
| 60 | VCC | VCC | VCC | I/O |
| 61 | NC | I/O | I/O | I/O |
| 62 | NC | I/O | I/O | I/O |
| 65 | I/O | I/O | QCLKA, I/O | I/O |
| 66 | I/O | I/O (WD) | I/O (WD) | I/O |
| 67 | NC | I/O (WD) | I/O (WD) | I/O |
| 68 | NC | I/O | I/O | I/O |
| 70 | I/O | I/O (WD) | I/O (WD) | I/O |
| 71 | I/O | I/O (WD) | I/O (WD) | I/O |
| 74 | I/O | I/O | I/O | VCC |
| 77 | I/O | I/O | I/O | VCC |
| 78 | GND | GND | GND | VCC |
| 79 | VCC | VCC | VCC | VCC |
| 80 | NC | VCC | VCC | GND |
| 81 | I/O | I/O | I/O | TCK, I/O |
| 83 | I/O | I/O | I/O | GND |
| 85 | I/O | I/O (WD) | I/O (WD) | I/O |
| 86 | I/O | I/O (WD) | I/O (WD) | I/O |
| 89 | NC | I/O | I/O | I/O |
| 90 | NC | I/O | I/O | I/O |
| 91 | I/O | I/O | QCLKB, I/O | I/O |
| 93 | I/O | I/O (WD) | I/O (WD) | I/O |
| 94 | I/O | I/O (WD) | I/O (WD) | I/O |
| 95 | NC | I/O | I/O | I/O |
| 96 | NC | I/O | I/O | I/O |
| 97 | NC | I/O | I/O | I/O |
| 98 | VCC | VCC | VCC | I/O |
| 100 | I/O | I/O (WD) | I/O (WD) | I/O |
| 101 | I/O | I/O (WD) | I/O (WD) | I/O |
| 103 | I/O | TDO, I/O | TDO, I/O | VCC |

| Pin Number | A1280XL Function | A32140DX Function | A32200DX-PQ208 Function | A32200DX-RQ208 Function |
|------------|------------------|-------------------|-------------------------|-------------------------|
| 104 | I/O | I/O | I/O | GND |
| 105 | GND | GND | GND | I/O |
| 106 | NC | VCC | VCC | TDO, I/O |
| 107 | I/O | I/O | I/O | I/O (WD) |
| 108 | I/O | I/O | I/O | I/O (WD) |
| 110 | I/O | I/O | I/O | VCC |
| 112 | NC | I/O | I/O | I/O |
| 113 | NC | I/O | I/O | I/O |
| 114 | NC | I/O | I/O | I/O (WD) |
| 115 | NC | I/O | I/O | I/O (WD) |
| 117 | I/O | I/O | I/O | QCLKB, I/O |
| 121 | I/O | I/O | I/O | I/O (WD) |
| 122 | I/O | I/O | I/O | I/O (WD) |
| 126 | GND | GND | GND | I/O |
| 128 | I/O | TCK, I/O | TCK, I/O | I/O |
| 129 | GND | GND | GND | VCC |
| 130 | VCC | VCC | VCC | GND |
| 131 | GND | GND | GND | I/O |
| 132 | VCC | VCC | VCC | I/O |
| 133 | VCC | VCC | VCC | I/O |
| 136 | VCC | VCC | VCC | I/O |
| 137 | I/O | I/O | I/O | I/O (WD) |
| 138 | I/O | I/O | I/O | I/O (WD) |
| 141 | NC | I/O | I/O | I/O (WD) |
| 142 | I/O | I/O | I/O | I/O (WD) |
| 144 | I/O | I/O | I/O | QCLKA, I/O |
| 146 | NC | I/O | I/O | I/O |
| 147 | NC | I/O | I/O | I/O |
| 148 | NC | I/O | I/O | I/O |
| 149 | NC | I/O | I/O | VCC |
| 150 | GND | GND | GND | I/O |
| 151 | I/O | I/O | I/O | I/O (WD) |
| 152 | I/O | I/O | I/O | I/O (WD) |
| 154 | I/O | I/O | I/O | TDI, I/O |
| 155 | I/O | I/O | I/O | TMS, I/O |
| 156 | I/O | I/O | I/O | GND |
| 157 | GND | GND | GND | VCC |
| 159 | SDI, I/O | SDI, I/O | SDI, I/O | I/O |
| 161 | I/O | I/O (WD) | I/O (WD) | I/O |
| 162 | I/O | I/O (WD) | I/O (WD) | I/O |
| 164 | VCC | VCC | VCC | I/O |
| 165 | NC | I/O | I/O | I/O |
| 166 | NC | I/O | I/O | I/O |
| 168 | I/O | I/O (WD) | I/O (WD) | I/O |
| 169 | I/O | I/O (WD) | I/O (WD) | I/O |
| 171 | NC | I/O | QCLKD, I/O | I/O |
| 176 | I/O | I/O (WD) | I/O (WD) | I/O |
| 177 | I/O | I/O (WD) | I/O (WD) | I/O |
| 178 | PRA, I/O | PRA, I/O | PRA, I/O | VCC |
| 180 | CLKA, I/O | CLKA, I/O | CLKA, I/O | I/O |
| 181 | NC | I/O | I/O | VCC |
| 182 | NC | VCC | VCC | VCC |
| 183 | VCC | VCC | VCC | I/O |
| 184 | GND | GND | GND | I/O |
| 186 | CLKB, I/O | CLKB, I/O | CLKB, I/O | I/O |
| 187 | I/O | I/O | I/O | GND |
| 188 | PRB, I/O | PRB, I/O | PRB, I/O | I/O |
| 190 | I/O | I/O (WD) | I/O (WD) | I/O |
| 191 | I/O | I/O (WD) | I/O (WD) | I/O |
| 193 | NC | I/O | I/O | I/O |
| 194 | NC | I/O (WD) | I/O (WD) | I/O |
| 195 | NC | I/O (WD) | I/O (WD) | I/O |
| 196 | I/O | I/O | QCLKC, I/O | I/O |
| 197 | NC | I/O | I/O | I/O |
| 201 | NC | I/O | I/O | I/O |
| 202 | VCC | VCC | VCC | I/O |
| 203 | I/O | I/O (WD) | I/O (WD) | I/O |
| 204 | I/O | I/O (WD) | I/O (WD) | I/O |
| 206 | I/O | I/O | I/O | MODE |
| 207 | DCLK, I/O | DCLK, I/O | DCLK, I/O | VCC |
| 208 | I/O | I/O | I/O | GND |

Package Pin Assignments (continued)

208-Pin PQFP Package, 208-pin RQFP Package (Top View)



Notes:

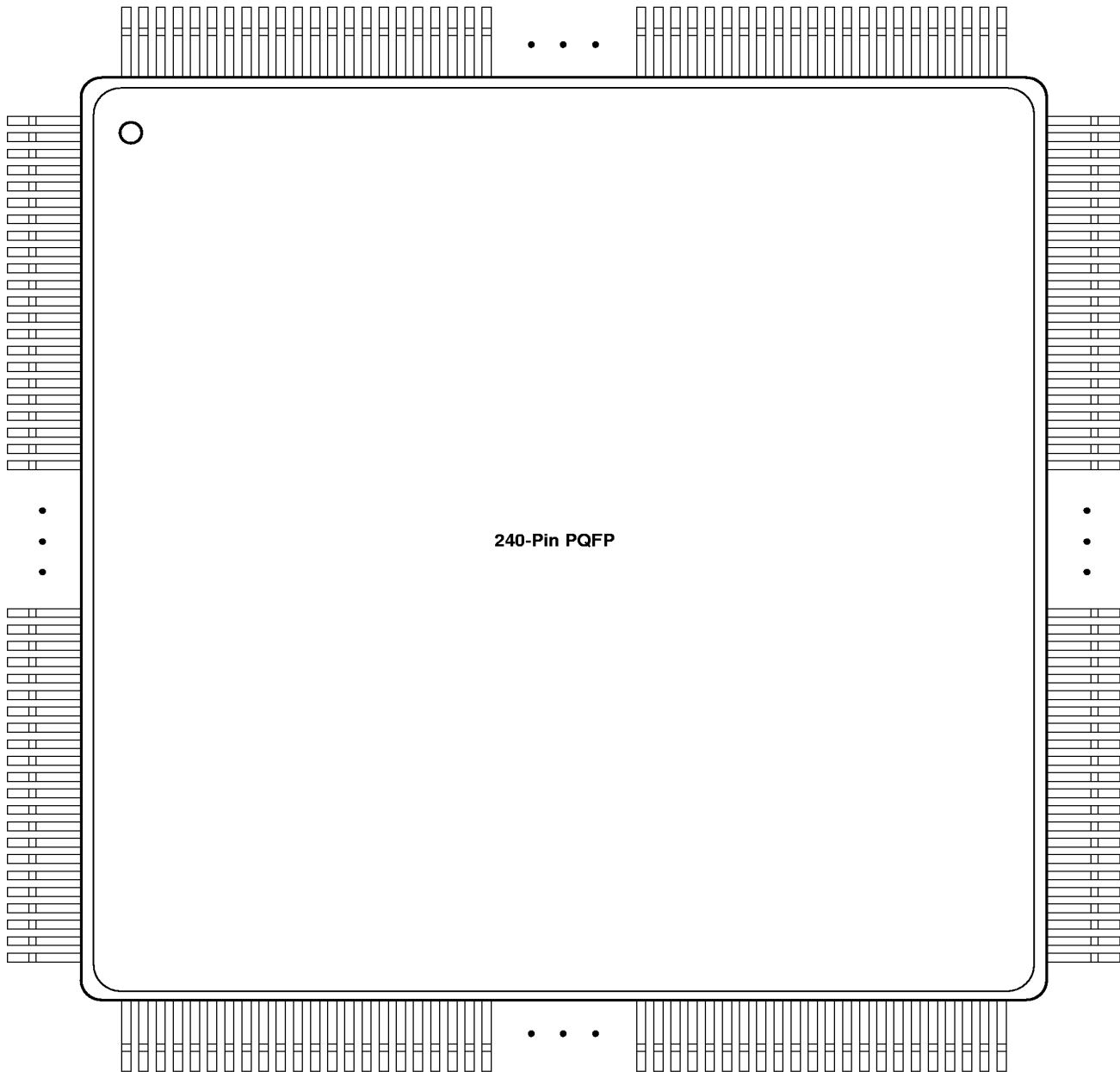
1. I/O (WD) : Denotes I/O pin with an associated Wide Decode Module
2. Wide Decode I/O (WD) can also be general purpose user I/O
3. NC : Denotes No Connection
4. All unlisted pin numbers are user I/O's
5. MODE should be terminated to GND through a 10K resistor to enable Actionprobe usage; otherwise it can be terminated directly to GND.
6. RQFP has an exposed circular metal heatsink on the top surface.

208-Pin PQFP Package, 208-pin RQFP Package

| Pin Number | A32100DX- PQ208 Function | A32300DX- RQ208 Function | Pin Number | A32100DX- PQ208 Function | A32300DX- RQ208 Function |
|------------|--------------------------------|--------------------------------|------------|--------------------------------|--------------------------------|
| 1 | GND | | 104 | | GND |
| 2 | VCC | DCLK, I/O | 105 | GND | |
| 3 | MODE (GND) | | 106 | VCC | SDO/TDO, I/O |
| 5 | | I/O (WD) | 107 | | I/O (WD) |
| 6 | | I/O (WD) | 108 | | I/O (WD) |
| 7 | | VCC | 110 | | VCC |
| 9 | | | 112 | | |
| 10 | | | 113 | | |
| 11 | | | 114 | | I/O (WD) |
| 13 | I/O | QCLKC, I/O | 115 | | I/O (WD) |
| 15 | | I/O (WD) | 117 | | QCLKB, I/O |
| 16 | | I/O (WD) | 121 | | I/O (WD) |
| 17 | VCC | | 122 | | I/O (WD) |
| 19 | | I/O (WD) | 126 | GND | I/O (WD) |
| 20 | | I/O (WD) | 127 | | I/O (WD) |
| 22 | GND | PRB, I/O | 128 | TCK, I/O | |
| 24 | | CLKB, I/O | 129 | VKS (GND) | VCC |
| 26 | | GND | 130 | VPP (VCC) | GND |
| 27 | GND | VCC | 131 | GND | |
| 28 | VCC | | 132 | VCC | |
| 29 | VSV (VCC) | CLKA, I/O | 133 | VSV (VCC) | |
| 30 | | PRA, I/O | 136 | VCC | |
| 32 | VCC | I/O (WD) | 137 | | I/O (WD) |
| 33 | | I/O (WD) | 138 | | I/O (WD) |
| 38 | | QCLKD, I/O | 141 | | I/O (WD) |
| 40 | | I/O (WD) | 142 | | I/O (WD) |
| 41 | | I/O (WD) | 144 | | QCLKA, I/O |
| 42 | | | 146 | | |
| 43 | | | 147 | | |
| 45 | | VCC | 148 | | |
| 47 | | I/O (WD) | 149 | | VCC |
| 48 | | I/O (WD) | 150 | GND | |
| 50 | | SDI, I/O | 151 | | I/O (WD) |
| 51 | | | 152 | | I/O (WD) |
| 52 | GND | GND | 154 | | TDI, I/O |
| 53 | GND | | 155 | | TMS, I/O |
| 54 | TMS, I/O | | 156 | | GND |
| 55 | TDI, I/O | | 157 | GND | VCC |
| 57 | | | 159 | SDI, I/O | |
| 58 | I/O (WD) | | 161 | I/O (WD) | |
| 59 | I/O (WD) | GND | 162 | I/O (WD) | |
| 60 | VCC | | 164 | VCC | |
| 61 | | | 165 | | |
| 62 | | | 166 | | |
| 65 | QCLKA, I/O | | 168 | I/O (WD) | |
| 66 | | | 169 | I/O (WD) | |
| 67 | | | 171 | QCLKD, I/O | |
| 68 | | | 176 | I/O (WD) | |
| 70 | I/O (WD) | | 177 | I/O (WD) | |
| 71 | I/O (WD) | | 178 | PRA, I/O | VCC |
| 74 | | VCC | 180 | CLKA, I/O | |
| 77 | | VSV (VCC) | 181 | | VSV (VCC) |
| 78 | GND | VCC | 182 | VCC | VCC |
| 79 | VCC | VPP (VCC) | 183 | VCC | |
| 80 | VCC | VKS (GND) | 184 | GND | |
| 81 | | TCK, I/O | 186 | CLKB | |
| 83 | | GND | 187 | | GND |
| 85 | I/O (WD) | | 188 | PRB, I/O | |
| 86 | I/O (WD) | | 190 | I/O (WD) | |
| 89 | | | 191 | I/O (WD) | |
| 90 | | | 193 | | |
| 91 | QCLKB, I/O | | 194 | | |
| 93 | I/O (WD) | | 196 | QCLKC, I/O | |
| 94 | I/O (WD) | | 197 | | |
| 95 | | | 201 | | |
| 96 | | | 202 | VCC | |
| 97 | | | 203 | I/O (WD) | |
| 98 | VCC | | 204 | I/O (WD) | |
| 100 | I/O (WD) | | 206 | | MODE (GND) |
| 101 | I/O (WD) | | 207 | DCLK, I/O | VCC |
| 103 | SDO, I/O | VCC | 208 | | GND |

Package Pin Assignments (continued)

240-Pin PQFP Package (Top View)



Notes:

1. I/O (WD) : Denotes I/O pin with an associated Wide Decode Module
2. Wide Decode I/O (WD) can also be general purpose user I/O
3. NC : Denotes No Connection
4. All unlisted pin numbers are user I/O's
5. MODE should be terminated to GND through a 10K resistor to enable Actionprobe usage; otherwise it can be terminated directly to GND.
6. RQFP has an exposed circular metal heatsink on the top surface.

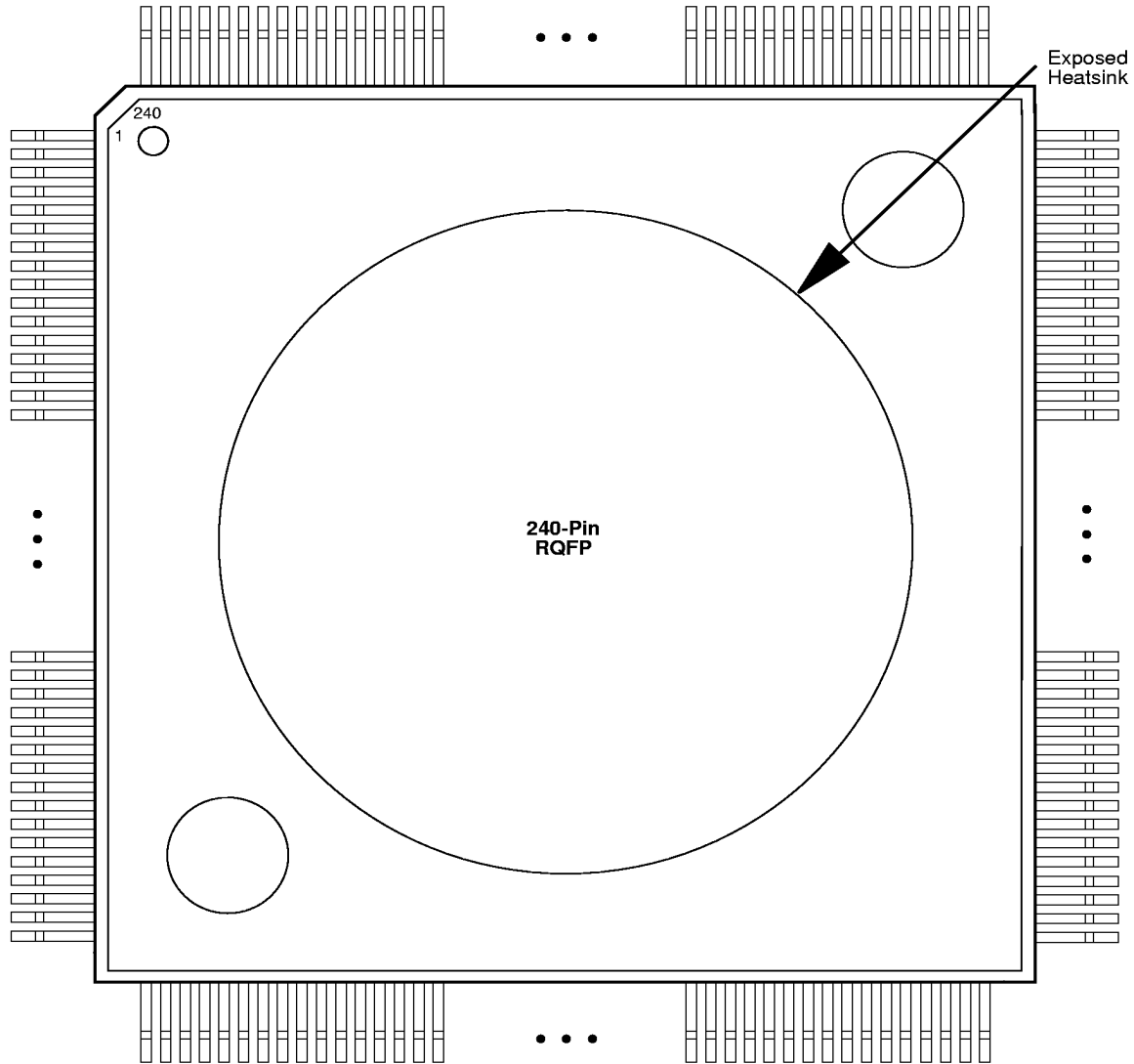
240-Pin PQFP Package

| Pin Number | A32300DX Function |
|------------|-------------------|
| 2 | DCLK |
| 6 | I/O (WD) |
| 7 | I/O (WD) |
| 8 | VCC |
| 15 | QCLKC |
| 17 | I/O (WD) |
| 18 | I/O (WD) |
| 21 | I/O (WD) |
| 22 | I/O (WD) |
| 24 | PROBB |
| 26 | CLKB |
| 28 | GND |
| 29 | VCC |
| 30 | VCC |
| 32 | CLKA |
| 33 | I/O (WD) |
| 34 | PROBA |
| 37 | I/O (WD) |
| 38 | I/O (WD) |
| 45 | QCLKD |
| 47 | I/O (WD) |
| 48 | I/O (WD) |
| 52 | VCC |
| 54 | I/O (WD) |
| 55 | I/O (WD) |
| 57 | SDI |
| 59 | VCC |
| 60 | GND |
| 61 | GND |
| 71 | VCC |
| 85 | VCC |
| 88 | VSV (VCC) |
| 89 | VCC |
| 90 | VPP (VCC) |
| 91 | VKS (GND) |
| 92 | TCK |
| 94 | GND |
| 108 | VCC |
| 118 | VCC |
| 119 | GND |

| Pin Number | A32300DX Function |
|------------|-------------------|
| 120 | GND |
| 121 | GND |
| 123 | SDO/TDO |
| 125 | I/O (WD) |
| 126 | I/O (WD) |
| 128 | VCC |
| 132 | I/O (WD) |
| 133 | I/O (WD) |
| 135 | QCLKB |
| 142 | I/O (WD) |
| 143 | I/O (WD) |
| 147 | I/O (WD) |
| 148 | I/O (WD) |
| 150 | VCC |
| 151 | VCC |
| 152 | GND |
| 159 | I/O (WD) |
| 160 | I/O (WD) |
| 163 | I/O (WD) |
| 164 | I/O (WD) |
| 166 | QCLKA |
| 172 | VCC |
| 174 | I/O (WD) |
| 175 | I/O (WD) |
| 178 | BINOUT/TMS |
| 179 | BININ/TMS |
| 180 | GND |
| 181 | VCC |
| 182 | GND |
| 192 | VCC |
| 206 | VCC |
| 209 | VSV (VCC) |
| 210 | VCC |
| 219 | VCC |
| 227 | VCC |
| 237 | GND |
| 238 | MODE (GND) |
| 239 | VCCA |
| 240 | GND |

Package Pin Assignments (continued)

240-Pin RQFP Package (Top View)



Notes:

1. I/O (WD) : Denotes I/O pin with an associated Wide Decode Module
2. Wide Decode I/O (WD) can also be general purpose user I/O
3. NC : Denotes No Connection
4. All unlisted pin numbers are user I/O's
5. MODE should be terminated to GND through a 10K resistor to enable Actionprobe usage; otherwise it can be terminated directly to GND.
6. RQFP has an exposed circular metal heatsink on the top surface.

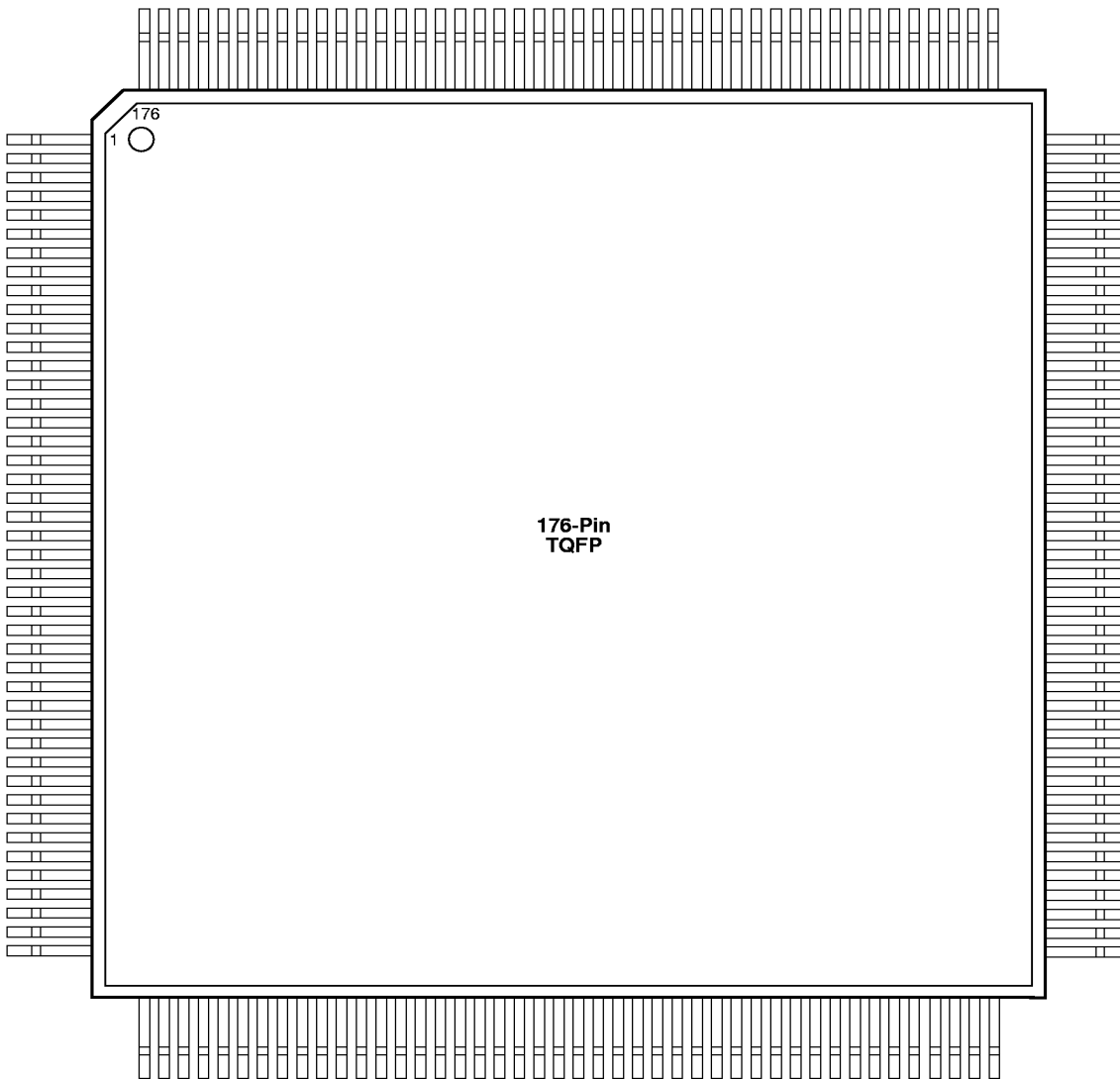
240-Pin RQFP Package

| Pin Number | A32200DX Function |
|------------|-------------------|
| 2 | DCLK, I/O |
| 6 | I/O (WD) |
| 7 | I/O (WD) |
| 8 | VCC |
| 15 | QCLKC, I/O |
| 17 | I/O (WD) |
| 18 | I/O (WD) |
| 21 | I/O (WD) |
| 22 | I/O (WD) |
| 24 | PRB, I/O |
| 26 | CLKB, I/O |
| 28 | GND |
| 29 | VCC |
| 30 | VCC |
| 32 | CLKA, I/O |
| 34 | PRA, I/O |
| 37 | I/O (WD) |
| 38 | I/O (WD) |
| 45 | QCLKD, I/O |
| 47 | I/O (WD) |
| 48 | I/O (WD) |
| 52 | VCC |
| 54 | I/O (WD) |
| 55 | I/O (WD) |
| 57 | SDI, I/O |
| 59 | VCC |
| 60 | GND |
| 61 | GND |
| 71 | VCC |
| 85 | VCC |
| 88 | VCC |
| 89 | VCC |
| 90 | VCC |
| 91 | GND |
| 92 | TCK, I/O |
| 94 | GND |
| 108 | VCC |
| 118 | VCC |

| Pin Number | A32200DX Function |
|------------|-------------------|
| 119 | GND |
| 120 | GND |
| 121 | GND |
| 123 | TDO, I/O |
| 125 | I/O (WD) |
| 126 | I/O (WD) |
| 128 | VCC |
| 132 | I/O (WD) |
| 133 | I/O (WD) |
| 135 | QCLKB, I/O |
| 142 | I/O (WD) |
| 143 | I/O (WD) |
| 150 | VCC |
| 151 | VCC |
| 152 | GND |
| 159 | I/O (WD) |
| 160 | I/O (WD) |
| 163 | I/O (WD) |
| 164 | I/O (WD) |
| 166 | QCLKA, I/O |
| 172 | VCC |
| 174 | I/O (WD) |
| 175 | I/O (WD) |
| 178 | TDI, I/O |
| 179 | TMS, I/O |
| 180 | GND |
| 181 | VCC |
| 182 | GND |
| 192 | VCC |
| 206 | VCC |
| 209 | VCC |
| 210 | VCC |
| 219 | VCC |
| 227 | VCC |
| 237 | GND |
| 238 | MODE (GND) |
| 239 | VCC |
| 240 | GND |

Package Pin Assignments (continued)

176-Pin TQFP Package (Top View)



Notes:

1. I/O (WD) : Denotes I/O pin with an associated Wide Decode Module
2. Wide Decode I/O (WD) can also be general purpose user I/O
3. NC: Denotes No Connection
4. All unlisted pin numbers are user I/O's
5. MODE should be terminated to GND through a 10K resistor to enable Actionprobe usage; otherwise it can be terminated directly to GND.

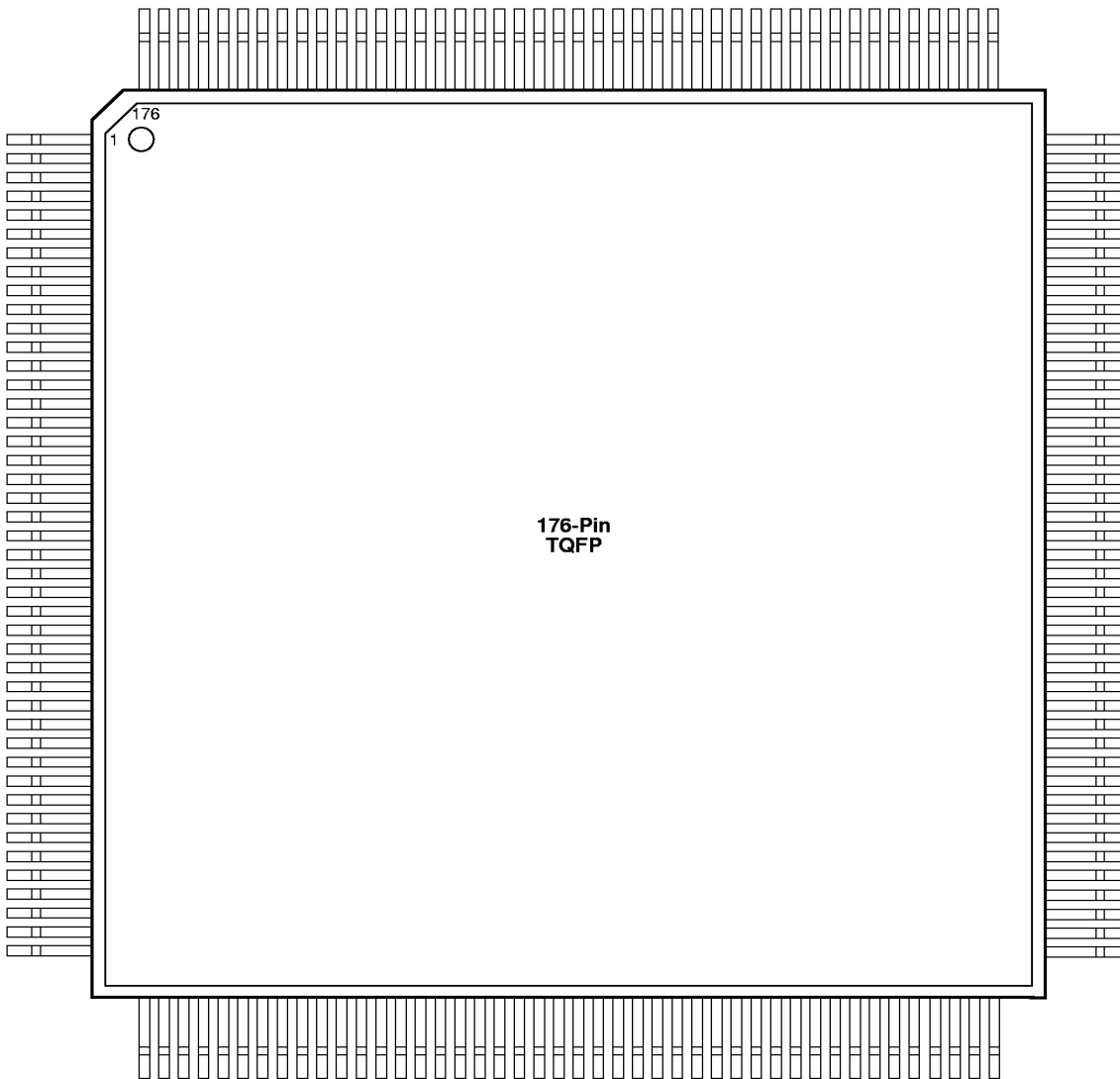
176-pin TQFP Package

| Pin Number | A1240XL Function | A3265DX Function | A1280XL Function | A32140DX Function |
|------------|------------------|------------------|------------------|-------------------|
| 1 | GND | GND | GND | GND |
| 2 | MODE | MODE | MODE | MODE |
| 8 | NC | NC | NC | I/O |
| 10 | NC | NC | I/O | I/O |
| 11 | NC | NC | I/O | I/O |
| 13 | NC | VCC | VCC | VCC |
| 18 | GND | GND | GND | GND |
| 19 | NC | I/O | I/O | I/O |
| 20 | NC | I/O | I/O | I/O |
| 22 | NC | I/O | I/O | I/O |
| 23 | GND | GND | GND | GND |
| 24 | NC | VCC | VCC | VCC |
| 25 | VCC | VCC | VCC | VCC |
| 26 | NC | I/O | I/O | I/O |
| 27 | NC | I/O | I/O | I/O |
| 28 | VCC | VCC | VCC | VCC |
| 29 | NC | NC | I/O | I/O |
| 33 | NC | NC | NC | I/O |
| 37 | NC | NC | I/O | I/O |
| 38 | NC | NC | NC | I/O |
| 45 | GND | GND | GND | GND |
| 46 | I/O | I/O | I/O | TMS, I/O |
| 47 | I/O | I/O | I/O | TDI, I/O |
| 48 | I/O | NC | I/O | I/O |
| 49 | I/O | I/O | I/O | I/O (WD) |
| 50 | I/O | I/O | I/O | I/O (WD) |
| 52 | NC | VCC | VCC | VCC |
| 54 | NC | I/O (WD) | I/O | I/O |
| 55 | NC | I/O (WD) | I/O | I/O (WD) |
| 56 | I/O | I/O | I/O | I/O (WD) |
| 57 | NC | NC | NC | I/O |
| 59 | I/O | I/O (WD) | I/O | I/O (WD) |
| 60 | I/O | I/O (WD) | I/O | I/O (WD) |
| 61 | NC | I/O | I/O | I/O |
| 64 | NC | I/O | I/O | I/O |
| 66 | NC | I/O | I/O | I/O |
| 67 | GND | GND | GND | GND |
| 68 | VCC | VCC | VCC | VCC |
| 69 | I/O | I/O (WD) | I/O | I/O (WD) |
| 70 | I/O | I/O (WD) | I/O | I/O (WD) |
| 73 | I/O | I/O (WD) | I/O | I/O |
| 74 | NC | NC | I/O | I/O |
| 75 | I/O | I/O (WD) | I/O | I/O |
| 77 | NC | NC | NC | I/O (WD) |
| 78 | NC | NC | I/O | I/O (WD) |
| 80 | NC | I/O (WD) | I/O | I/O |
| 81 | I/O | I/O (WD) | I/O | I/O |
| 82 | NC | VCC | VCC | VCC |
| 84 | I/O | I/O | I/O | I/O (WD) |
| 85 | I/O | I/O | I/O | I/O (WD) |
| 86 | NC | NC | I/O | I/O |
| 87 | I/O | I/O | I/O | TDO, I/O |
| 89 | GND | GND | GND | GND |
| 96 | NC | NC | I/O | I/O |

| Pin Number | A1240XL Function | A3265DX Function | A1280XL Function | A32140DX Function |
|------------|------------------|------------------|------------------|-------------------|
| 97 | NC | I/O | I/O | I/O |
| 101 | NC | NC | NC | I/O |
| 103 | NC | I/O | I/O | I/O |
| 106 | GND | GND | GND | GND |
| 107 | NC | I/O | I/O | I/O |
| 108 | NC | I/O | I/O | TCK, I/O |
| 109 | GND | GND | GND | GND |
| 110 | VCC | VCC | VCC | VCC |
| 111 | GND | GND | GND | GND |
| 112 | VCC | VCC | VCC | VCC |
| 113 | VCC | VCC | VCC | VCC |
| 114 | NC | I/O | I/O | I/O |
| 115 | NC | I/O | I/O | I/O |
| 116 | NC | VCC | VCC | VCC |
| 117 | I/O | NC | I/O | I/O |
| 121 | NC | NC | NC | I/O |
| 124 | NC | NC | I/O | I/O |
| 125 | NC | NC | I/O | I/O |
| 126 | NC | NC | NC | I/O |
| 133 | GND | GND | GND | GND |
| 135 | SDI, I/O | SDI, I/O | SDI, I/O | SDI, I/O |
| 136 | NC | NC | I/O | I/O |
| 137 | I/O | I/O | I/O | I/O (WD) |
| 138 | I/O | I/O | I/O | I/O (WD) |
| 139 | I/O | I/O (WD) | I/O | I/O |
| 140 | NC | VCC | VCC | VCC |
| 141 | I/O | I/O (WD) | I/O | I/O |
| 143 | NC | I/O | I/O | I/O |
| 144 | NC | I/O (WD) | I/O | I/O (WD) |
| 145 | NC | NC | NC | I/O (WD) |
| 146 | I/O | I/O (WD) | I/O | I/O |
| 147 | NC | I/O | I/O | I/O |
| 149 | I/O | I/O (WD) | I/O | I/O |
| 150 | I/O | I/O (WD) | I/O | I/O (WD) |
| 151 | NC | I/O | I/O | I/O (WD) |
| 152 | PRA, I/O | PRA, I/O | PRA, I/O | PRA, I/O |
| 154 | CLKA, I/O | CLKA, I/O | CLKA, I/O | CLKA, I/O |
| 155 | VCC | VCC | VCC | VCC |
| 156 | GND | GND | GND | GND |
| 158 | CLKB, I/O | CLKB, I/O | CLKB, I/O | CLKB, I/O |
| 160 | PRB, I/O | PRB, I/O | PRB, I/O | PRB, I/O |
| 161 | NC | I/O | I/O | I/O (WD) |
| 162 | I/O | I/O (WD) | I/O | I/O (WD) |
| 163 | I/O | I/O (WD) | I/O | I/O |
| 165 | NC | NC | NC | I/O (WD) |
| 166 | NC | I/O | I/O | I/O (WD) |
| 168 | NC | I/O | I/O | I/O |
| 169 | I/O | I/O (WD) | I/O | I/O |
| 170 | NC | VCC | VCC | VCC |
| 171 | I/O | I/O (WD) | I/O | I/O (WD) |
| 172 | I/O | I/O | I/O | I/O (WD) |
| 173 | NC | NC | I/O | I/O |
| 175 | DCLK, I/O | DCLK, I/O | DCLK, I/O | DCLK, I/O |

Package Pin Assignments (continued)

176-Pin TQFP Package (Top View)



Notes:

1. I/O (WD) : Denotes I/O pin with an associated Wide Decode Module
2. Wide Decode I/O (WD) can also be general purpose user I/O
3. NC: Denotes No Connection
4. All unlisted pin numbers are user I/O's
5. MODE should be terminated to GND through a 10K resistor to enable Actionprobe usage; otherwise it can be terminated directly to GND.

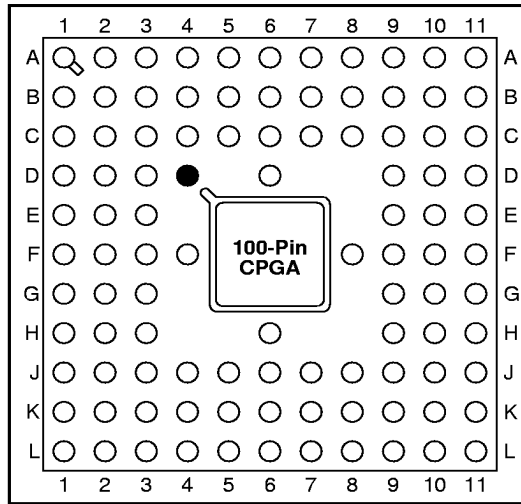
176-pin TQFP Package

| Pin Number | A32100DX Function |
|------------|-------------------|
| 2 | MODE (GND) |
| 13 | VCC |
| 18 | GND |
| 23 | GND |
| 24 | VCC |
| 25 | VSV (VCC) |
| 28 | VCC |
| 45 | GND |
| 46 | TMS, I/O |
| 47 | TDI, I/O |
| 50 | I/O (WD) |
| 51 | I/O (WD) |
| 52 | VCC |
| 57 | QCLKA, I/O |
| 59 | I/O (WD) |
| 60 | I/O (WD) |
| 67 | GND |
| 68 | VCC |
| 72 | I/O (WD) |
| 73 | I/O (WD) |
| 76 | QCLKB, I/O |
| 78 | I/O (WD) |
| 79 | I/O (WD) |
| 82 | VCC |
| 84 | I/O (WD) |
| 85 | I/O (WD) |
| 87 | SDO, I/O |
| 89 | GND |
| 106 | GND |

| Pin Number | A32100DX Function |
|------------|-------------------|
| 108 | TCK, I/O |
| 109 | VKS (GND) |
| 110 | VPP (VCC) |
| 111 | GND |
| 112 | VCC |
| 113 | VSV (VCC) |
| 116 | VCC |
| 133 | GND |
| 135 | SDI, I/O |
| 137 | I/O (WD) |
| 138 | I/O (WD) |
| 140 | VCC |
| 142 | I/O (WD) |
| 143 | I/O (WD) |
| 146 | QCLKD, I/O |
| 150 | I/O (WD) |
| 151 | I/O (WD) |
| 152 | PRA, I/O |
| 154 | CLKA, I/O |
| 155 | VCC |
| 158 | CLKB, I/O |
| 160 | PRB, I/O |
| 161 | I/O (WD) |
| 162 | I/O (WD) |
| 164 | QLCKC, I/O |
| 170 | VCC |
| 171 | I/O (WD) |
| 172 | I/O (WD) |
| 175 | DCLK, I/O |

Package Pin Assignments (continued)

100-Pin CPGA (Top View)



● Orientation Pin

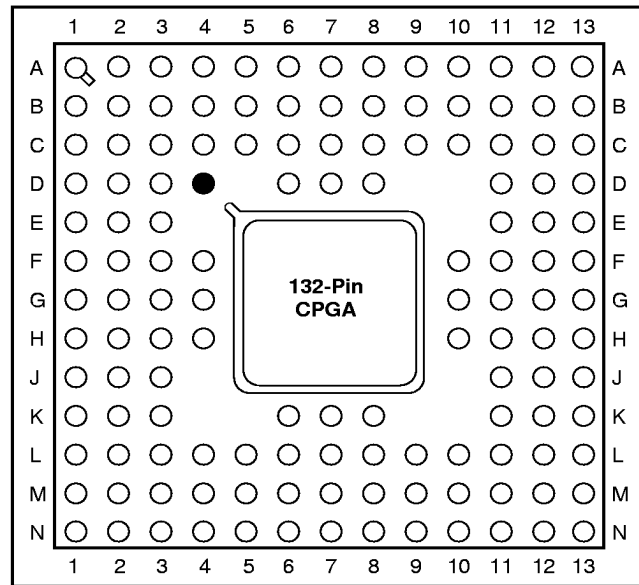
| Signal | Pad Number | Location |
|-----------------|-------------------------------|--------------------------------------|
| PRA or I/O | 85 | A7 |
| PRB or I/O | 92 | A4 |
| MODE | 2 | C2 |
| SDI or I/O | 77 | C8 |
| DCLK or I/O | 100 | C3 |
| CLKA or I/O | 87 | C6 |
| CLKB or I/O | 90 | D6 |
| GND | 7, 20, 32, 44, 55, 70, 82, 94 | E3, G3, J5, J7, G9, F11, D10, C7, C5 |
| V _{CC} | 15, 38, 64, 88 | F3, G1, K6, F9, F10, E11, B6 |

Notes:

1. Unused I/O pins are designated as outputs by ALS and are driven low.
2. All unassigned pins are available for use as I/Os.
3. MODE = GND, except during device programming or debugging.

Package Pin Assignments (continued)

132-Pin CPGA (Top View)



● Orientation Pin

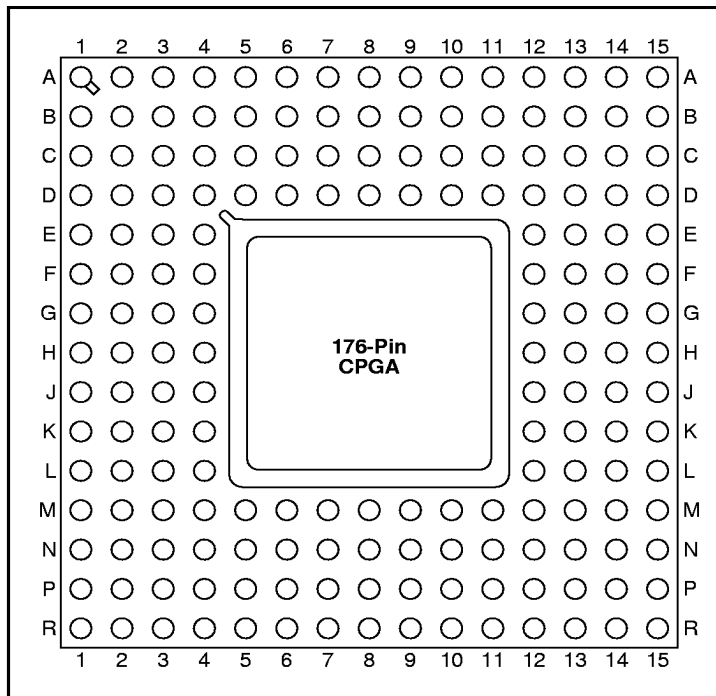
| Signal | Pad Number | Location |
|-----------------|---|---|
| PRA or I/O | 113 | B8 |
| PRB or I/O | 121 | C6 |
| MODE | 2 | A1 |
| SDI or I/O | 101 | B12 |
| DCLK or I/O | 132 | C3 |
| CLKA or I/O | 115 | B7 |
| CLKB or I/O | 119 | B6 |
| GND | 9, 10, 26, 27, 41, 58, 59, 73, 74, 92, 93, 107, 108, 125, 126 | E3, F4, J2, J3, L5, L9, M9, K12, J11, H13, E12, E11, C9, B9, B5, C5 |
| V _{CC} | 18, 19, 49, 50, 83, 84, 116, 117 | G3, G2, G4, L7, K7, G10, G11, G12, G13, D7, C7 |

Notes:

1. Unused I/O pins are designated as outputs by ALS and are driven low.
2. All unassigned pins are available for use as I/Os.
3. MODE = GND, except during device programming or debugging.

Package Pin Assignments (continued)

176-Pin CPGA (Top View)



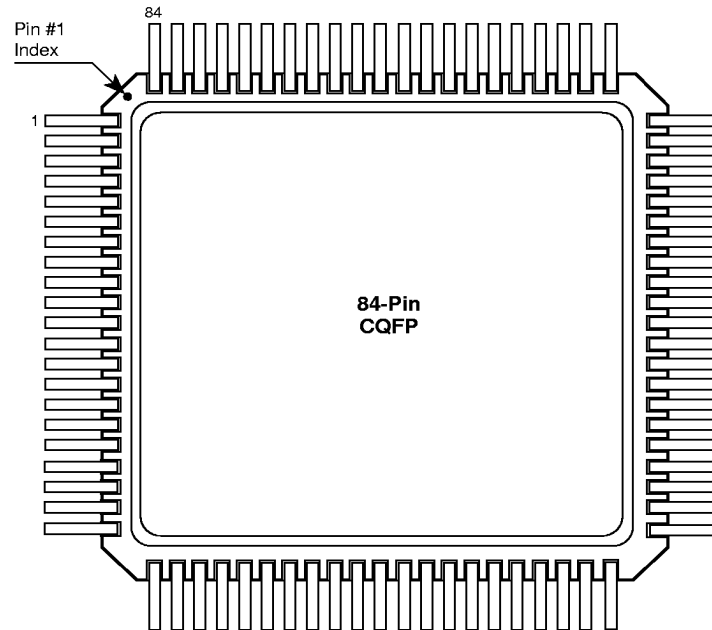
| Signal | Pad Number | Location |
|-----------------|---|--|
| PRA or I/O | 152 | C9 |
| PRB or I/O | 160 | D7 |
| MODE | 2 | C3 |
| SDI or I/O | 135 | B14 |
| DCLK or I/O | 175 | B3 |
| CLKA or I/O | 154 | A9 |
| CLKB or I/O | 158 | B8 |
| GND | 1, 8, 18, 23, 33, 38, 45, 57, 67, 77, 89 101, 106, 111, 121, 126, 133, 145, 156, 165 | D4, E4, G4, H4, K4, L4, M4, M6, M8, M10, M12 K12, J12, J13, H12, F12, E12, D12, D10, C8, D6 |
| V _{CC} | 13, 24, 28, 52, 68, 82, 112, 116, 140, 155, 170 | F4, H2, H3, J4, M5, N8, M11, J14, H13, H14, G12, D11, D8, D5 |

Notes:

1. Unused I/O pins are designated as outputs by ALS and are driven low.
2. All unassigned pins are available for use as I/Os.
3. MODE = GND, except during device programming or debugging.

Package Pin Assignments (continued)

84-Pin CQFP

**Notes:**

1. Unused I/O pins are designated as outputs by ALS and are driven low.
2. All unassigned pins are available for use as I/Os.
3. MODE = GND, except during device programming or debugging.

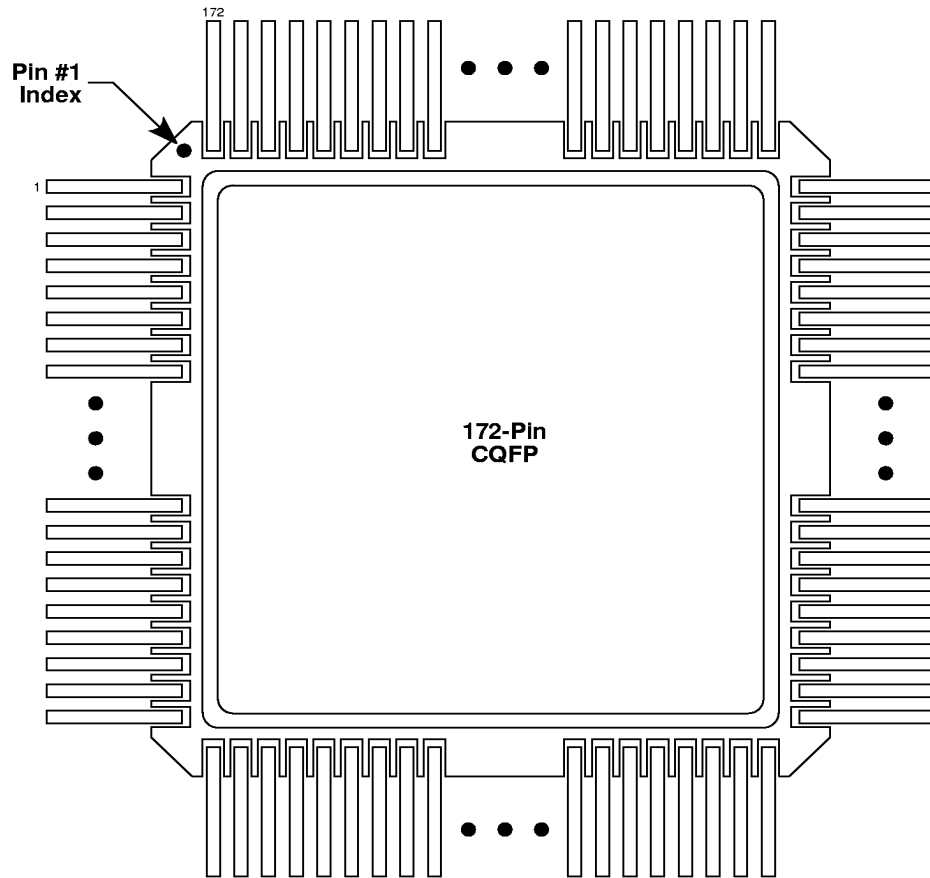
84-pin QFP Package

| Pin Number | A32100DX Function |
|------------|-------------------|
| 1 | GND |
| 2 | MODE (GND) |
| 7 | VCC |
| 10 | GND |
| 11 | VCC |
| 12 | VSV (VCC) |
| 17 | GND |
| 22 | GND |
| 23 | TMS, I/O |
| 24 | TDI, I/O |
| 25 | I/O (WD) |
| 26 | I/O (WD) |
| 28 | QCLKA, I/O |
| 30 | I/O (WD) |
| 32 | GND |
| 33 | VCC |
| 34 | I/O (WD) |
| 35 | I/O (WD) |
| 36 | QCLKB, I/O |
| 37 | I/O (WD) |
| 38 | GND |
| 39 | I/O (WD) |
| 40 | I/O (WD) |
| 41 | I/O (WD) |
| 42 | SDO, I/O |
| 43 | GND |
| 50 | GND |

| Pin Number | A32100DX Function |
|------------|-------------------|
| 51 | TCK, I/O |
| 52 | VKS (GND) |
| 53 | VPP (VCC) |
| 55 | VSV (VCC) |
| 56 | VCC |
| 59 | GND |
| 63 | GND |
| 64 | SDI |
| 65 | I/O (WD) |
| 66 | I/O (WD) |
| 67 | I/O (WD) |
| 68 | I/O (WD) |
| 69 | QCLKD, I/O |
| 70 | I/O (WD) |
| 71 | I/O (WD) |
| 72 | PRA, I/O |
| 73 | CLKA, I/O |
| 74 | VCC |
| 76 | CLKB, I/O |
| 77 | PRB, I/O |
| 78 | I/O (WD) |
| 79 | I/O (WD) |
| 80 | QCLKC, I/O |
| 81 | GND |
| 82 | I/O (WD) |
| 83 | I/O (WD) |
| 84 | DCLK, I/O |

Package Pin Assignments (continued)

172-Pin CQFP

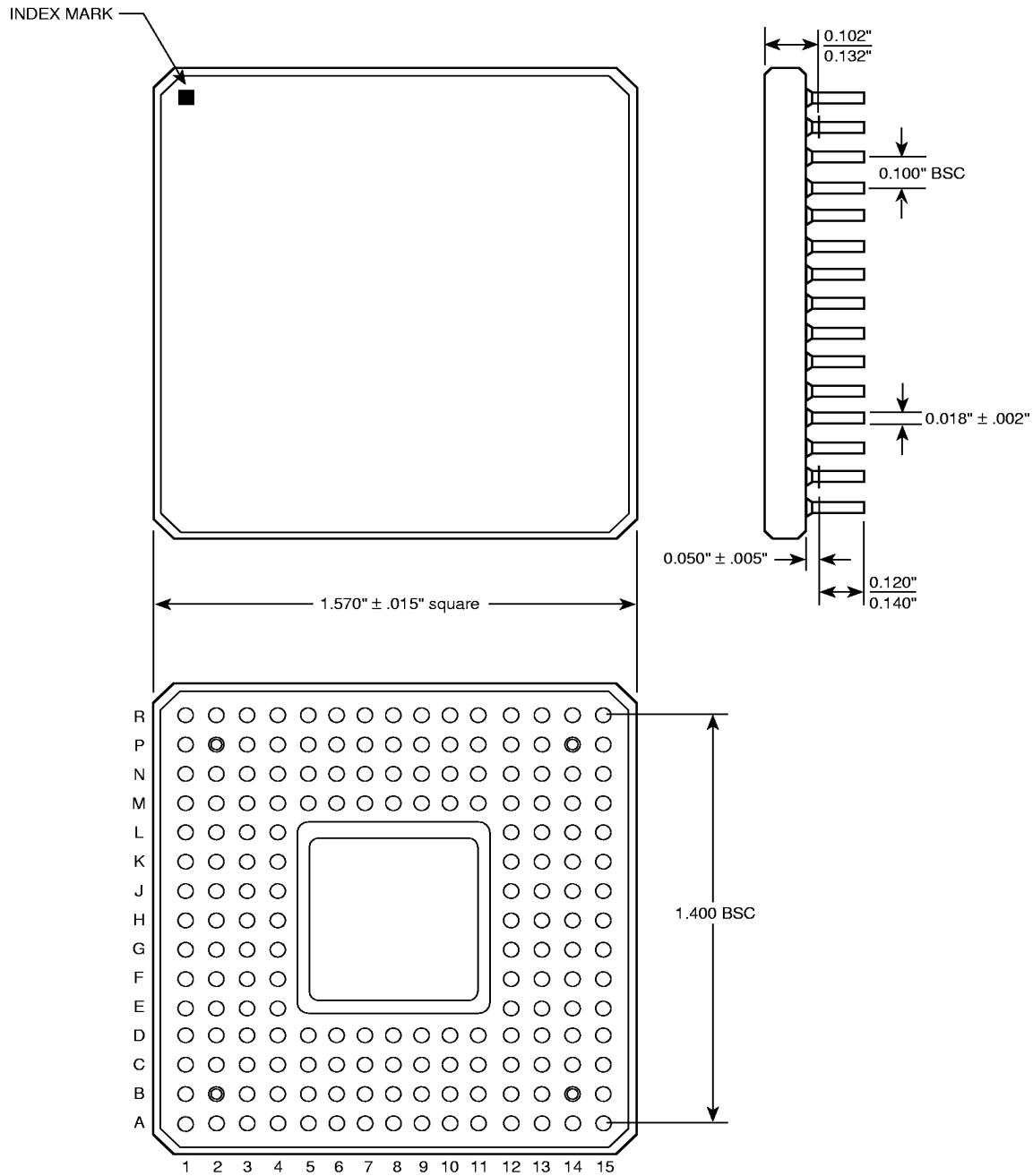


| Signal | Pad Number |
|-----------------|--|
| CLKA or I/O | 150 |
| CLKB or I/O | 154 |
| DCLK or I/O | 171 |
| GND | 7, 17, 22, 32, 37, 55, 65, 75, 98, 103, 106, 118, 123, 141, 152, 161 |
| MODE | 1 |
| PRA or I/O | 148 |
| PRB or I/O | 156 |
| SDI or I/O | 131 |
| V _{CC} | 12, 23, 24, 27, 66, 80, 107, 109, 110, 113, 136, 151, 166 |

Notes:

1. Unused I/O pins are designated as outputs by ALS and are driven low.
2. All unassigned pins are available for use as I/Os.
3. MODE = GND, except during device programming or debugging.

Package Mechanical Drawings
 176-Pin CPGA (Ceramic Pin Grid Array)

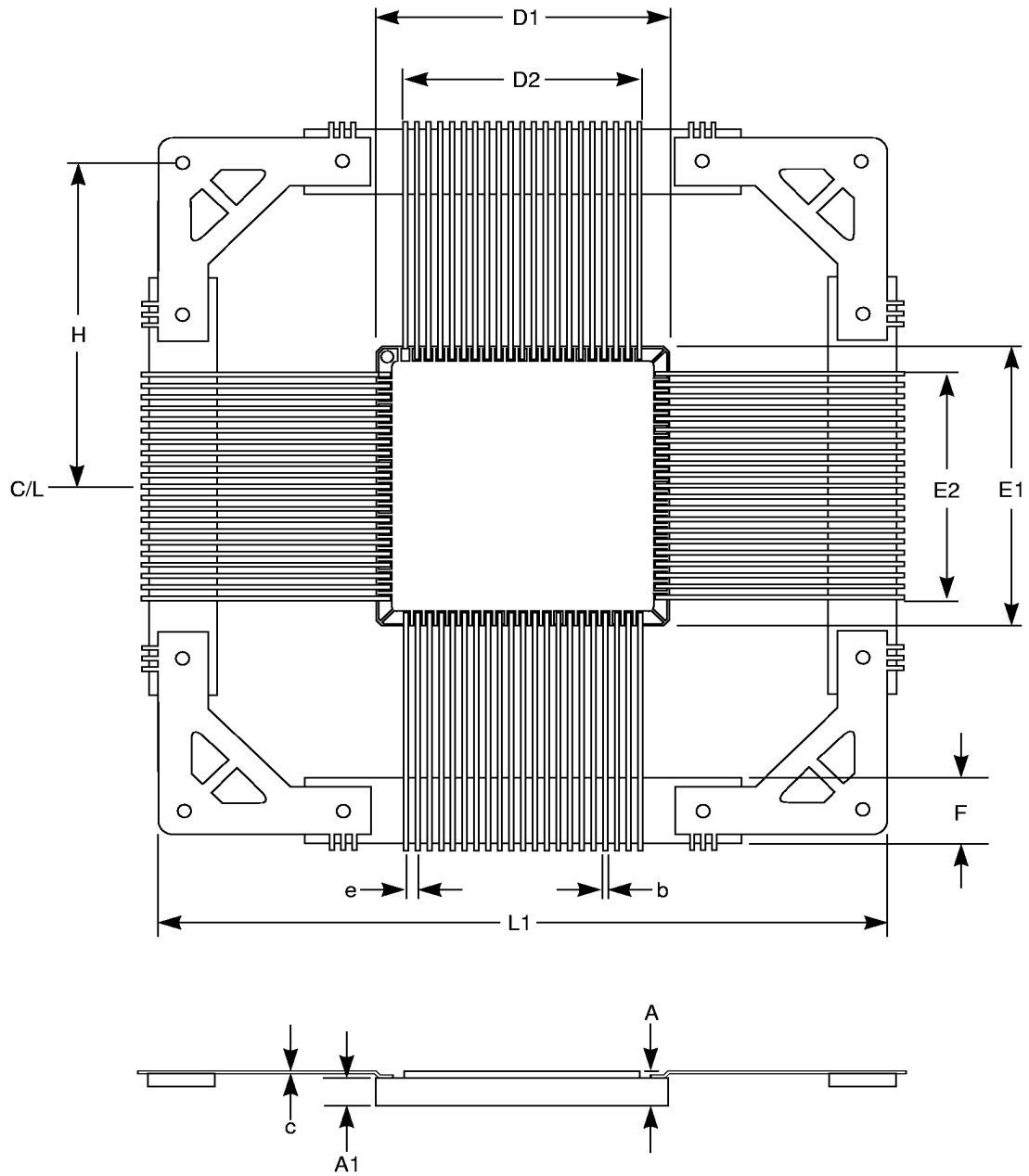


Notes:

1. All dimensions are in inches unless otherwise stated.
2. BSC—Basic Spacing between Centers.

Package Mechanical Drawings (continued)

Ceramic Quad Flatpack (CQFP)



Cermamic Quad Flatpack (CQFP)

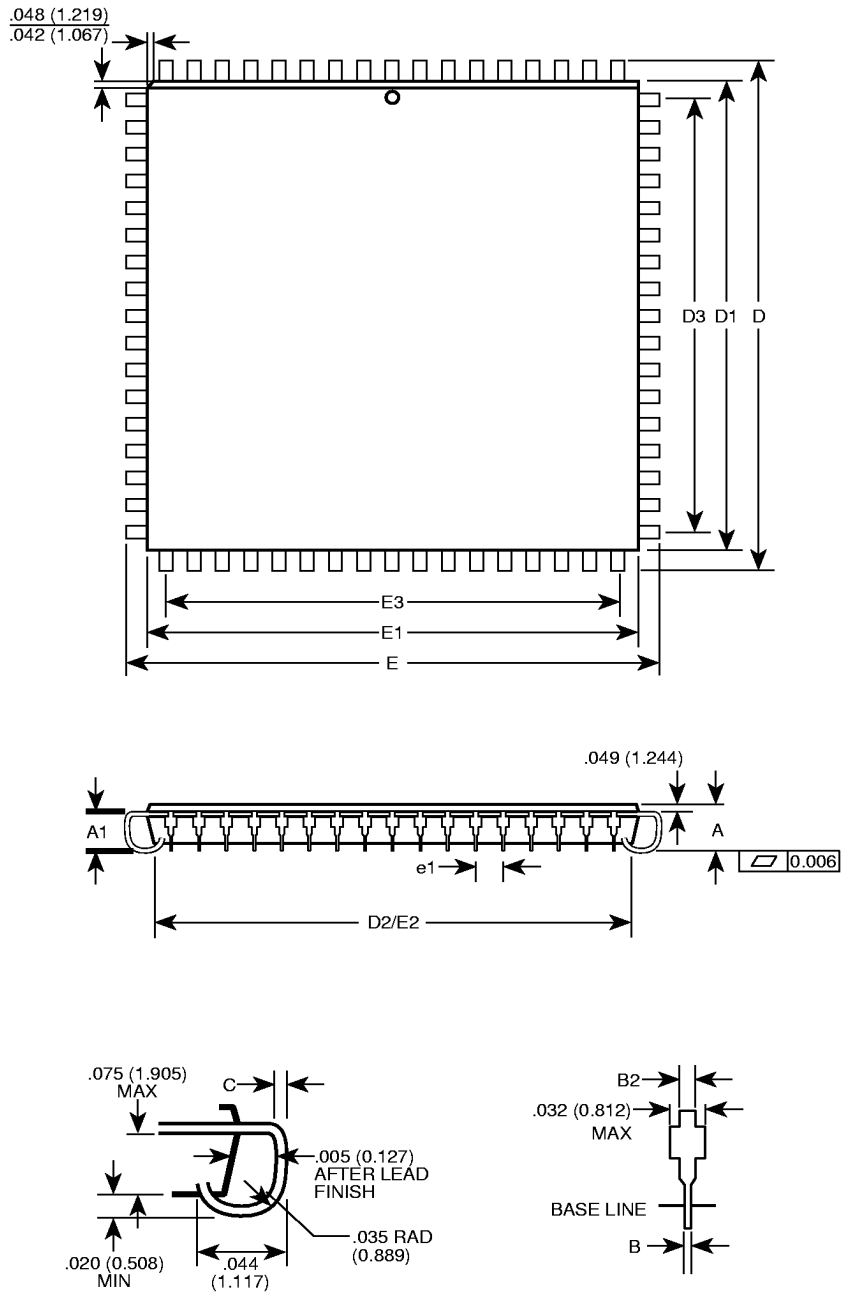
| JEDEC | CQ172 MO-113 | |
|-------|-----------------|-------|
| | Min | Max |
| A | 0.086 | 0.140 |
| A1 | 0.078 | 0.125 |
| b | 0.007 | 0.010 |
| c | 0.004 | 0.008 |
| D1/E1 | 1.165 | 1.195 |
| D2/E2 | 1.050 BSC | |
| e | .025 BSC | |
| F | 0.175 | 0.225 |
| H | 1.150 BSC | |
| L1 | 2.485 | 2.505 |

Note:

1. All dimensions are in inches except CQ256, which is in millimeters.
2. BSC—Basic Spacing between Centers.

Package Mechanical Drawings (continued)

Plastic Leaded Chip Carrier (PLCC)



Plastic Leaded Chip Carrier Packages (PLCC)

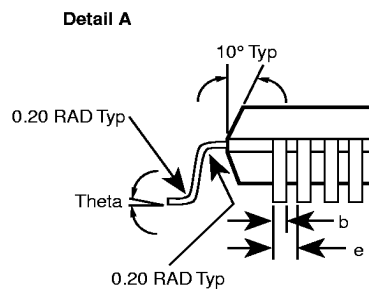
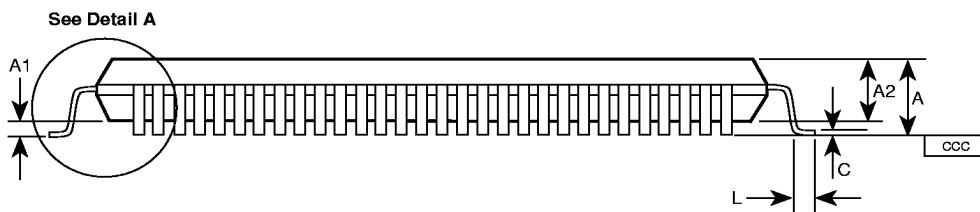
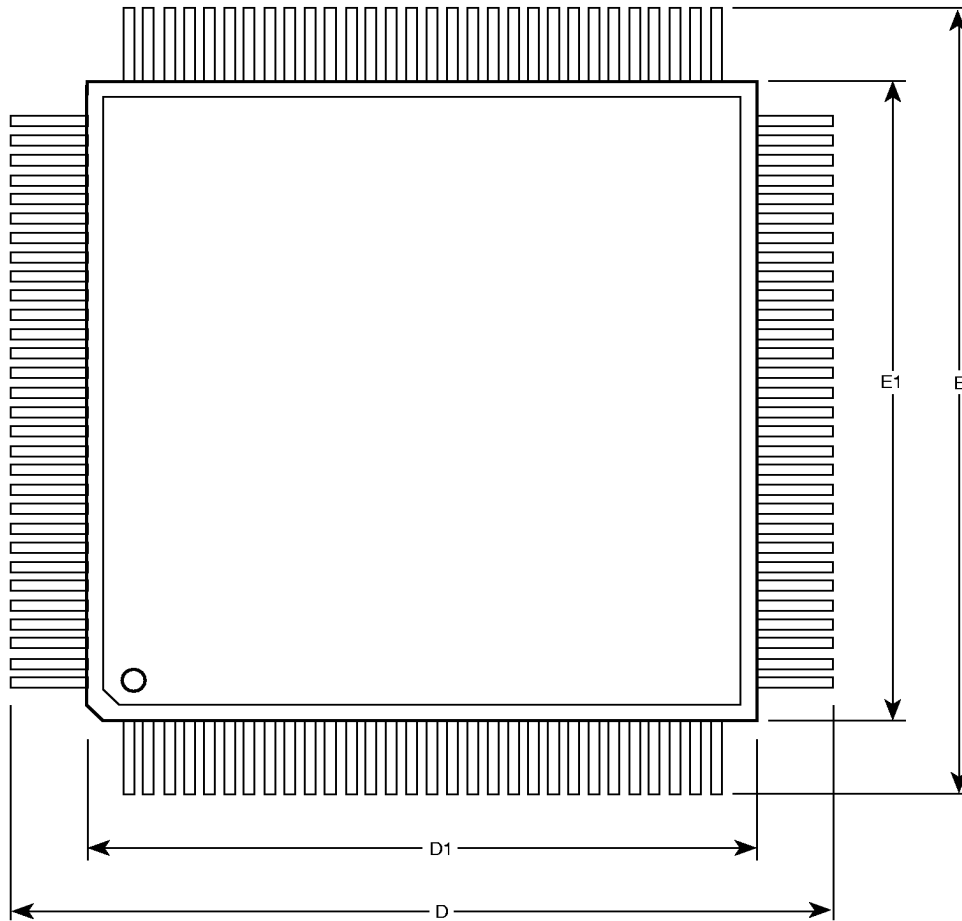
| Jedec Equiv | PLCC 84 MS007 AE VAR | |
|-------------|-------------------------|-------|
| | Min | Max |
| A | 0.155 | 0.175 |
| A1 | 0.090 | 0.130 |
| B | 0.013 | 0.027 |
| B2 | 0.026 | 0.032 |
| C | 0.005 | 0.011 |
| D/E | 1.170 | 1.210 |
| D1/E1 | 1.140 | 1.160 |
| D2/E2 | 1.090 | 1.130 |
| D3/E3 | 1.00 nominal | |
| e1 | 0.050 BSC | |

Notes:

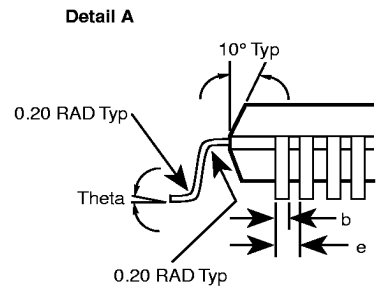
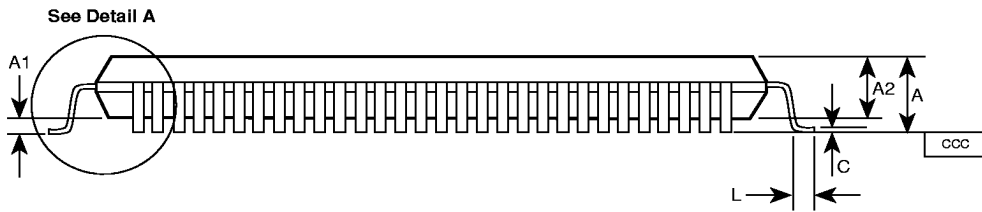
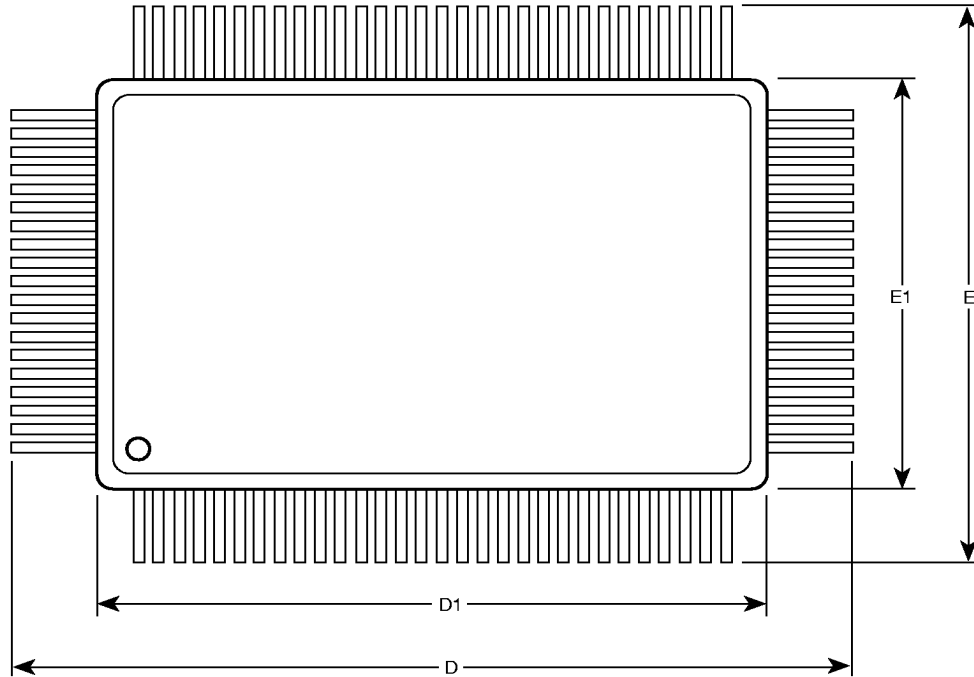
1. All dimensions are in inches.
2. BSC—Basic Spacing between Centers.

Package Mechanical Drawings (continued)

Plastic Quad Flatpack (PQFP, RQFP, TQFP, VQFP)



Plastic Quad Flatpack
Rectangular Package (PQ100)



Plastic Quad Flat Packages (PQFP)

| Jedec Equiv | PQFP 100 MO-108 | | PQFP 144 MO-108 | | 1200XL, 3200DX PQFP 160 MO-112 | | PQFP 208 MO-143 | |
|-------------|--------------------|-------|--------------------|-------|--------------------------------------|-------|--------------------|-------|
| | Min | Max | Min | Max | Min | Max | Min | Max |
| A | | 3.40 | | 4.07 | | 4.07 | | 4.10 |
| A1 | 0.25 | | 0.25 | | 0.25 | | 0.25 | |
| A2 | 2.55 | 3.05 | 3.20 | 3.60 | 3.17 | 3.67 | 3.20 | 3.60 |
| b | 0.22 | 0.38 | 0.22 | 0.38 | 0.22 | 0.38 | 0.17 | 0.27 |
| c | 0.13 | 0.23 | 0.13 | 0.23 | 0.13 | 0.23 | 0.09 | 0.20 |
| D | 23.20 BSC | | 31.20 BSC | | 31.90 BSC | | 30.60 BSC | |
| D1 | 20.00 BSC | | 28.00 BSC | | 28.00 BSC | | 28.00 BSC | |
| E | 17.20 BSC | | 31.20 BSC | | 31.90 BSC | | 30.60 BSC | |
| E1 | 14.00 BSC | | 28.00 BSC | | 28.00 BSC | | 28.00 BSC | |
| e | 0.65 BSC | | 0.65 BSC | | 0.65 BSC | | 0.50 BSC | |
| L | 0.73 | 1.03 | 0.73 | 1.03 | 0.65 | 0.95 | 0.50 | 0.75 |
| ccc | | 0.10 | | 0.08 | | 0.10 | | 0.08 |
| Theta | 0 | 7 deg | 0 | 7 deg | 0 | 7 deg | 0 | 7 deg |

Notes:

1. All dimensions are in millimeters.
2. BSC—Basic Spacing between Centers.

Plastic Quad Flat Packages (RQFP)

| Jedec Equiv | RQFP 208 MO-143 | | RQFP 240 MO-143 | |
|-------------|--------------------|-------|--------------------|-------|
| | Min | Max | Min | Max |
| A | | 4.10 | | 4.10 |
| A1 | 0.25 | | 0.25 | |
| A2 | 3.20 | 3.60 | 3.20 | 3.60 |
| b | 0.17 | 0.27 | 0.17 | 0.27 |
| c | 0.09 | 0.20 | 0.09 | 0.20 |
| D/E | 30.60 BSC | | 34.60 BSC | |
| D1/E1 | 28.00 BSC | | 32.00 BSC | |
| e | 0.50 BSC | | 0.50 BSC | |
| L | 0.50 | 0.75 | 0.50 | 0.75 |
| ccc | | 0.08 | | 0.08 |
| Theta | 0 | 7 deg | 0 | 7 deg |

Notes:

1. All dimensions are in millimeters.
2. BSC—Basic Spacing between Centers.

Thin Quad Flatpacks (TQFP and VQFP)

| Jedec Equiv | TQFP 176 MO-136 | | VQFP 100 MO-136 | |
|-------------|--------------------|-------|--------------------|-------|
| | Min | Max | Min | Max |
| A | | 1.60 | | 1.20 |
| A1 | 0.05 | 0.15 | 0.05 | 0.15 |
| A2 | 1.35 | 1.45 | 0.95 | 1.05 |
| b | 0.17 | 0.27 | 0.17 | 0.27 |
| c | 0.09 | 0.20 | 0.09 | 0.20 |
| D/E | 26.00 BSC | | 16.00 BSC | |
| D1/E1 | 24.00 BSC | | 14.00 BSC | |
| e | 0.50 BSC | | 0.50 BSC | |
| L | 0.45 | 0.75 | 0.45 | 0.75 |
| ccc | | 0.08 | | 0.08 |
| Theta | 0 | 7 deg | 0 | 7 deg |

Notes:

1. All dimensions are in millimeters.
2. BSC—Basic Spacing between Centers.