

302-764 TO 831

PRODUCT DESCRIPTION

ANSLEY® Flat-to-Round Cable is derived from the standard series 171- flat cable and offers the additional advantages of easy to install, round, jacketed cable that is flexible in every direction.

It is ideally suited for equipment inter-connections and for wiring inside of electronic equipment, distribution cabinets, and cable ducts.

The jacket is made of special, highly flexible PVC material.

The cable terminates to any ANSLEY® flat cable connector and provides mechanically stable, functional, and positive connections, combined with compact design.

PRODUCT ADVANTAGES

- Available in shielded and unshielded versions.
- 360° double EMI/RFI shield made of plastic laminated aluminium foil and tin-plated copper mesh. The reliable shield assures premium EMI/RFI protection even with extreme bending radii.
- Flat-to-round cable matches shielded and unshielded "D" connector backshells (see page 28).
- Shield can be positively crimped to the metal lining of the backshells.
- Positive flat cable termination and polarisation by use of proven standard cable Series 171.

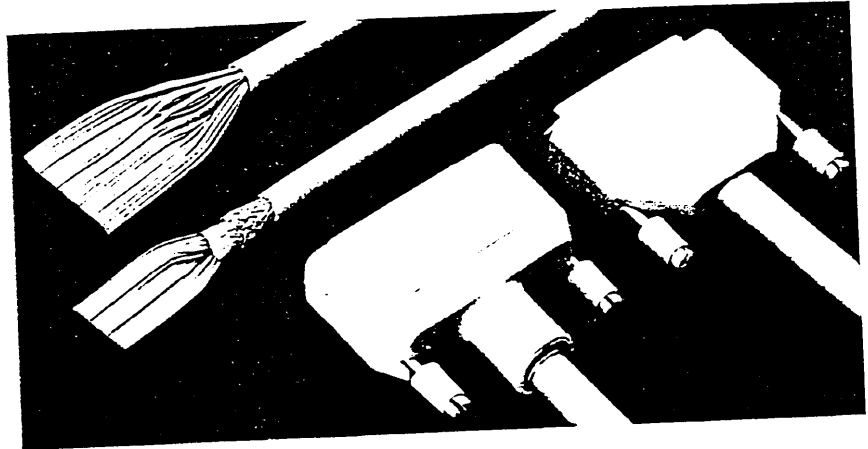
INSTALLATION TOOLS

Scoring

Hand Scorer for cable diameters 4.5 mm to 28.5 mm WCTS 28

Cutting

(Flat cable)
Hand Cable Cutter 779-5030
Die for all ANSLEY® Bench Press Cable Cutters 779-3181
with Platen 779-3132



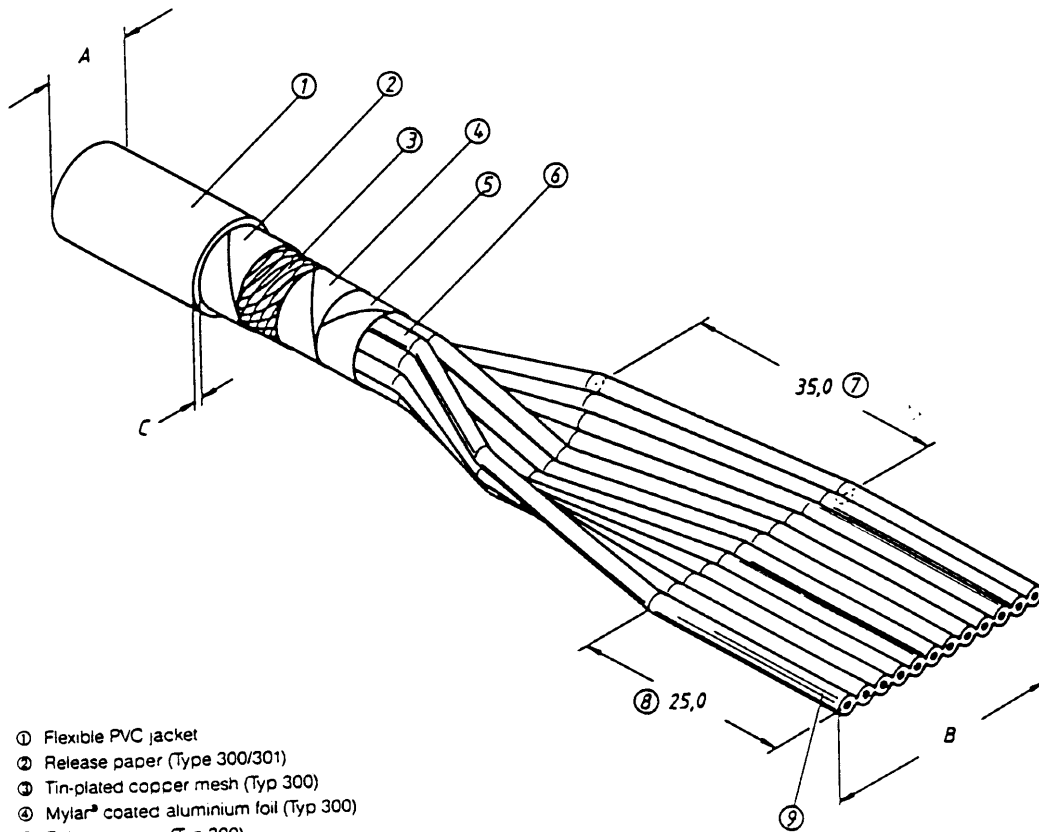
SPECIFICATIONS

Cat. No.	300-	301-
Conductor: E-Cu tin-plated	AWG 28 Stranded (0.089 mm ²)	AWG 28 Stranded (0.089 mm ²)
Cross-section		
Shield	1. Mesh of tin-plated copper wire - 2. Plastic-coated aluminium foil	
Insulation Jacket/Colour	Flat cable PVC PVC/Grey	PVC PVC/Grey
Temperature Rating (+ °C)	80	80
Voltage Rating (V)	300	300
Max. Continuous Current (A)	0.5	0.5
Characteristic Impedance (ohms)	115	115
Capacitance (pF/m)	75	75
UL Style No.	20267	20267

300 - 09

Series Version Number of Positions

- 0 - AWG 28 Stranded wire (0.089 mm²). Flat cable series 171-, formed to round cable with double shield and jacket
- 1 - AWG 28 Stranded wire (0.089 mm²). Flat cable series 171-, formed to round cable with jacket



- ① Flexible PVC jacket
- ② Release paper (Type 300/301)
- ③ Tin-plated copper mesh (Typ 300)
- ④ Mylar® coated aluminium foil (Typ 300)
- ⑤ Release paper (Typ 300)
- ⑥ Flat cable Series 171
- ⑦ Area with separated conductors
- ⑧ Termination zone with unseparated conductors
- ⑨ Blue stripe on No. 1 conductor

**Standard cable length per reel is 100 ft. (30.48 m).
Cable length 300 ft. (91.44 m) available on request.**

No. of Pos.	Cat. No.		Dimensions in mm			
	AWG 28 Stranded		A	A	B	C
	Shielded	Unshielded	300-	301-		
9	300-09	301-09	7.0	6.5	11.43	0.8
10	300-10	301-10	7.0	6.5	12.70	0.8
14	300-14	301-14	7.5	7.0	17.78	0.8
15	300-15	301-15	7.5	7.0	19.05	0.8
16	300-16	301-16	8.4	7.9	20.30	0.8
20	300-20	301-20	8.5	8.0	25.40	0.8
24	300-24	301-24	9.2	8.7	30.48	0.8
25	300-25	301-25	9.2	8.7	31.75	0.8
26	300-26	301-26	9.8	9.3	33.02	0.8
30	300-30	301-30	9.8	9.3	38.10	0.8
34	300-34	301-34	10.5	10.0	43.20	0.8
36	300-36	301-36	10.6	10.1	45.72	0.8
37	300-37	301-37	10.6	10.1	47.00	1.0
40	300-40	301-40	11.3	10.8	50.80	1.0
50	300-50	301-50	11.6	11.1	63.90	1.0
60	300-60	301-60	13.0	12.5	76.20	1.0
64	300-64	301-64	13.5	13.0	81.30	1.0