



## Customer-Specific Filters for AFE Converters

B84143-AFE1

**Power line filters for three-phase systems**  
**Rated voltage 440/250 V~, 50/60 Hz**  
**Rated current 65 A**

### Construction

- Three-line filter
- Metal case

### Features

- Extremely saturation-proof chokes
- Optimized for operation under full load  
with motor cables of up to 500 m total length
- Reduction of voltage ripple between phases
- Up to 12 actuators

### Applications

- AFE frequency converters for motor drives, e.g.
  - textile machines
  - conveyor systems
  - machine tools
- For suppliers and energy recovery
- For further information refer to chapter “Application notes”, [page 92](#)

### Terminals

- Safe-to-touch terminal blocks

### Marking

Marking on component:  
Manufacturer's logo, ordering code,  
rated current, rated voltage,  
rated temperature, date code,  
terminal assignment, safety approvals

Minimum marking on packaging:  
Manufacturer's logo, ordering code

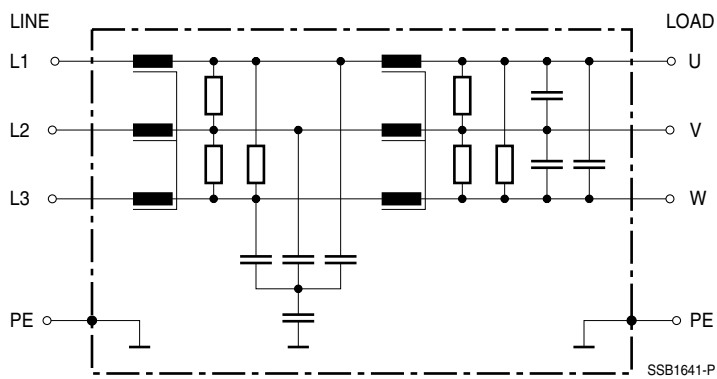




**Customer-Specific Filters  
for AFE Converters**

**B84143-AFE1**

**Circuit diagram**



**Technical data**

Rated voltage $V_R$	440/250 V~, 50/60 Hz
Rated current $I_R$	referred to 40 °C ambient temperature
Test voltage $V_P$	930 V~, 2 s (line/line) 2700 V~, 2 s (lines/case)
Overload capability	1,5 · $I_R$ for 3 min per hour or 2,5 · $I_R$ für 30 s per hour
Leakage current $I_{leak}$	at 400 V~, 50 Hz
Climatic category	25/085/21 (– 25 °C/+ 85 °C/21 days damp heat test) in accordance with EN 60068-1

**Characteristics and ordering codes**

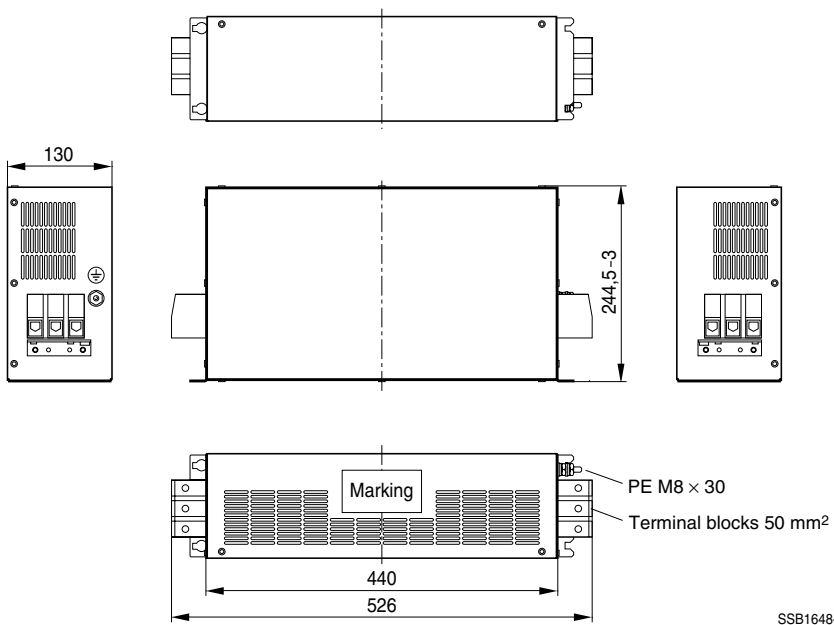
$I_R$	Terminal cross section mm <sup>2</sup>	$I_{leak}$ mA	$R_{typ}$ mΩ	Approx. weight kg	Ordering code
A	50	< 300	8,5	30	upon request



Customer-Specific Filters  
for AFE Converters

B84143-AFE1

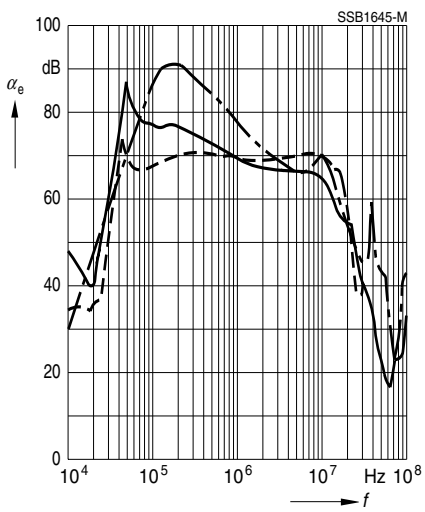
Dimensional drawing





Insertion loss (typical values at  $Z = 50 \Omega$ )

- unsymmetrical, adjacent branches terminated
- - - - - asymmetrical, all branches in parallel (common mode)
- - - - - symmetrical (differential mode)



**Herausgegeben von EPCOS AG**

**Marketing Kommunikation, Postfach 80 17 09, 81617 München, DEUTSCHLAND**

© EPCOS AG 2000. Alle Rechte vorbehalten. Vervielfältigung, Veröffentlichung, Verbreitung und Verwertung dieser Broschüre und ihres Inhalts ohne ausdrückliche Genehmigung der EPCOS AG nicht gestattet.

Mit den Angaben in dieser Broschüre werden die Bauelemente spezifiziert, keine Eigenschaften zugesichert. Bestellungen unterliegen den vom ZVEI empfohlenen Allgemeinen Lieferbedingungen für Erzeugnisse und Leistungen der Elektroindustrie, soweit nichts anderes vereinbart wird.

Diese Broschüre ersetzt die vorige Ausgabe.

Fragen über Technik, Preise und Liefermöglichkeiten richten Sie bitte an den Ihnen nächstgelegenen Vertrieb der EPCOS AG oder an unsere Vertriebsgesellschaften im Ausland.

Bauelemente können aufgrund technischer Erfordernisse Gefahrstoffe enthalten. Auskünfte darüber bitten wir unter Angabe des betreffenden Typs ebenfalls über die zuständige Vertriebsgesellschaft einzuholen.

**Published by EPCOS AG**

**Marketing Communications, P.O. Box 80 17 09, 81617 Munich, GERMANY**

© EPCOS AG 2000. All Rights Reserved. Reproduction, publication and dissemination of this brochure and the information contained therein without EPCOS' prior express consent is prohibited.

The information contained in this brochure describes the type of component and shall not be considered as guaranteed characteristics. Purchase orders are subject to the General Conditions for the Supply of Products and Services of the Electrical and Electronics Industry recommended by the ZVEI (German Electrical and Electronic Manufacturers' Association), unless otherwise agreed.

This brochure replaces the previous edition.

For questions on technology, prices and delivery please contact the Sales Offices of EPCOS AG or the international Representatives.

Due to technical requirements components may contain dangerous substances. For information on the type in question please also contact one of our Sales Offices.