



EC Update (-10)

256Mb Synchronous DRAM - Die Revision A

Features

- High Performance:

		-75A CL=3	-260, CL=2	-360, CL=3	-10, CL=3	Units
f _{CK}	Clock Frequency	133	100	100	100	MHz
t _{CK}	Clock Cycle	7.5	10	10	10	ns
t _{AC}	Clock Access Time ¹	—	—	—	7	ns
t _{AC}	Clock Access Time ²	5.4	6	6	9	ns

Note: ¹Terminated load, ²Unterminated load. See AC Characteristics (page 39).

- Single-pulsed $\overline{\text{RAS}}$ interface
- Fully Synchronous to Positive Clock Edge
- Four Banks controlled by BS0, BS1 (Bank Selects)
- Programmable $\overline{\text{CAS}}$ Latency: 2, 3

- Programmable Burst Length: 1, 2, 4, or 8
- Programmable Wrap: Sequential or Interleave
- Multiple Burst Read with Single Write Option
- Automatic and Controlled Precharge command
- Data Mask for Read/Write control (x4, x8) and Dual Data Mask for byte control (x16)
- Auto Refresh (CBR) and Self Refresh
- Suspend mode and Power Down mode
- Standard Power operation
- 8192 Refresh cycles/64ms
- Random Column Address every CLK (1-N Rule)
- Single 3.3V \pm 0.3V Power Supply
- LVTTL compatible
- Packages:
 - 54-pin 400 mil TSOP-Type II
 - 66-pin 400 mil 2-High Stack TSOJ

Description

The IBM0325404, IBM0325804, and IBM0325164 are four bank Synchronous DRAMs organized as 16Mbit x 4 I/O x 4 Bank, 8Mbit x 8 I/O x 4 Bank, and 4Mbit x 16 I/O x 4 Bank, respectively. IBM03254B4, a stacked version of the x4 component, is also offered. These synchronous devices achieve high-speed data-transfer rates of up to 133 MHz by employing a pipeline chip architecture that synchronizes the output data to a system clock. The chip is fabricated with IBM's advanced 256Mbit single transistor CMOS DRAM process technology.

The device is designed to comply with all JEDEC standards set for Synchronous DRAM products, both electrically and mechanically. All the control, address, and data input/output (I/O or DQ) circuits are synchronized with the positive edge of an externally supplied clock.

$\overline{\text{RAS}}$, $\overline{\text{CAS}}$, $\overline{\text{WE}}$, and $\overline{\text{CS}}$ are pulsed signals which are examined at the positive edge of each externally applied clock (CLK). Internal chip operating modes are defined by combinations of these signals, and a command decoder initiates the necessary timings for each operation. A fifteen-bit address bus accepts address data in the conventional $\overline{\text{RAS/CAS}}$ multiplexing style. Thirteen row addresses (A0-A12) and two bank select addresses (BS0, BS1) are strobed with $\overline{\text{RAS}}$. Eleven column addresses (A0-A9, A11) plus bank select addresses and A10 are strobed

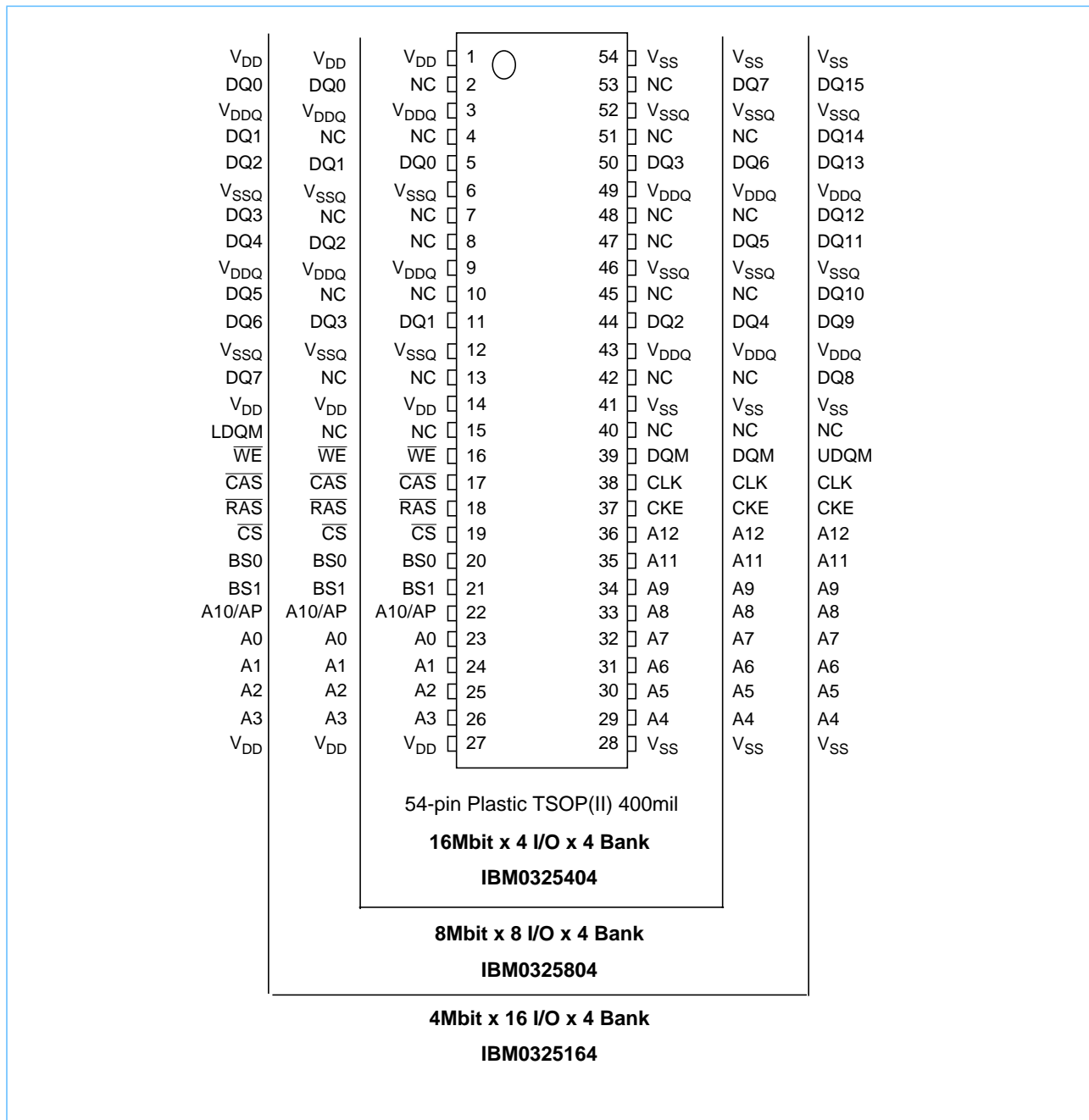
with $\overline{\text{CAS}}$. Column address A11 is dropped on the x8 device and column addresses A9 and A11 are dropped on the x16 device. Access to the lower or upper DRAM in a stacked device is controlled by $\overline{\text{CS0}}$ and $\overline{\text{CS1}}$.

Prior to any access, the $\overline{\text{CAS}}$ latency, burst length, and sequence must be programmed into the device by address inputs A0-A12, BS0, BS1 during a Mode Register Set cycle. It is also possible to program a Multiple Burst sequence with single write cycle for write-through cache operation.

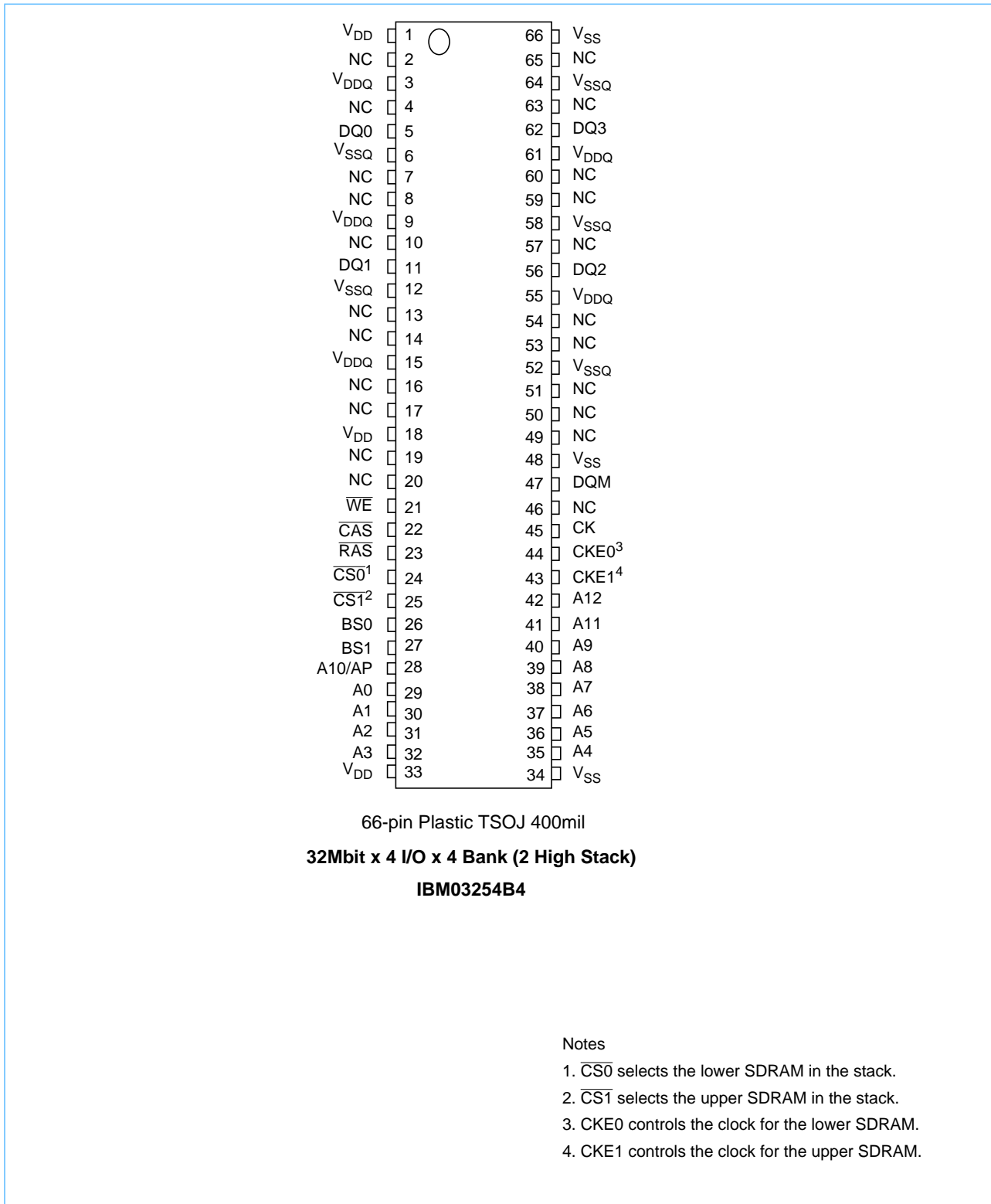
Operating the four memory banks in an interleave fashion allows random access operation to occur at a higher rate than is possible with standard DRAMs. A sequential and gapless data rate of up to 133 MHz is possible depending on burst length, $\overline{\text{CAS}}$ latency, and speed grade of the device. Simultaneous operation of both decks of a stacked device is allowed, depending on the operation being done.

Auto Refresh (CBR), and Self Refresh operation are supported.

Pin Assignments for Planar Components (Top View)



Pin Assignments for 2 High Stack Package (Dual \overline{CS} Pin) (Top View)



Notes

1. $\overline{CS0}$ selects the lower SDRAM in the stack.
2. $\overline{CS1}$ selects the upper SDRAM in the stack.
3. CKE0 controls the clock for the lower SDRAM.
4. CKE1 controls the clock for the upper SDRAM.

Pin Description

CLK	Clock Input	DQ0-DQ15	Data Input/Output
CKE (CKE0, CKE1)	Clock Enable	DQM, LDQM, UDQM	Data Mask
\overline{CS} ($\overline{CS0}$, $\overline{CS1}$)	Chip Select	VDD	Power (+3.3V)
\overline{RAS}	Row Address Strobe	VSS	Ground
\overline{CAS}	Column Address Strobe	VDDQ	Power for DQs (+3.3V)
\overline{WE}	Write Enable	VSSQ	Ground for DQs
BS1, BS0	Bank Selects	NC	No Connection
A0 - A12	Address Inputs	—	—

Input/Output Functional Description

Symbol	Type	Polarity	Function
CLK	Input	Positive Edge	The system clock input. All of the SDRAM inputs are sampled on the rising edge of the clock.
CKE, CKE0, CKE1	Input	Active High	Activates the CLK signal when high and deactivates the CLK signal when low. By deactivating the clock, CKE (CKE0, CKE1 for stacked devices) low initiates the Power Down mode, Suspend mode, or the Self Refresh mode.
\overline{CS} , $\overline{CS0}$, $\overline{CS1}$	Input	Active Low	\overline{CS} ($\overline{CS0}$, $\overline{CS1}$ for stacked devices) enables the command decoder when low and disables the command decoder when high. When the command decoder is disabled, new commands are ignored but previous operations continue.
\overline{RAS} , \overline{CAS} , \overline{WE}	Input	Active Low	When sampled at the positive rising edge of the clock, \overline{CAS} , \overline{RAS} , and \overline{WE} define the operation to be executed by the SDRAM.
BS0, BS1	Input	—	Selects which bank is to be active.
A0 - A12	Input	—	<p>During a Bank Activate Command cycle, A0-A12 defines the row address (RA0-RA12) when sampled at the rising clock edge.</p> <p>During a Read or Write Command cycle, A0-A9, A11 defines the column address (CA0-CA9, CA11) when sampled at the rising clock edge.</p> <p>A10 is used to invoke Auto Precharge operation at the end of the Burst Read or Write cycle. If A10 is high, Auto Precharge is selected and BS0, BS1 defines the bank to be precharged. If A10 is low, Auto Precharge is disabled.</p> <p>During a Precharge Command cycle, A10 is used in conjunction with BS0, BS1 to control which bank(s) to precharge. If A10 is high, all banks will be precharged regardless of the state of BS. If A10 is low, then BS0 and BS1 are used to define which bank to precharge.</p>
DQ0 - DQ15	Input-Output	—	Data Input/Output pins operate in the same manner as on conventional DRAMs.
DQM, LDQM, UDQM	Input	Active High	The Data Input/Output mask places the DQ buffers in a high impedance state when sampled high. In x16 products, LDQM and UDQM control the lower and upper byte I/O buffers, respectively. In Read mode, DQM has a latency of two clock cycles and controls the output buffers like an output enable. DQM low turns the output buffers on and DQM high turns them off. In Write mode, DQM has a latency of zero and operates as a word mask by allowing input data to be written if it is low but blocks the write operation if DQM is high.
V _{DD} , V _{SS}	Supply	—	Power and ground for the input buffers and the core logic.
V _{DDQ} , V _{SSQ}	Supply	—	Isolated power supply and ground for the output buffers to provide improved noise immunity.

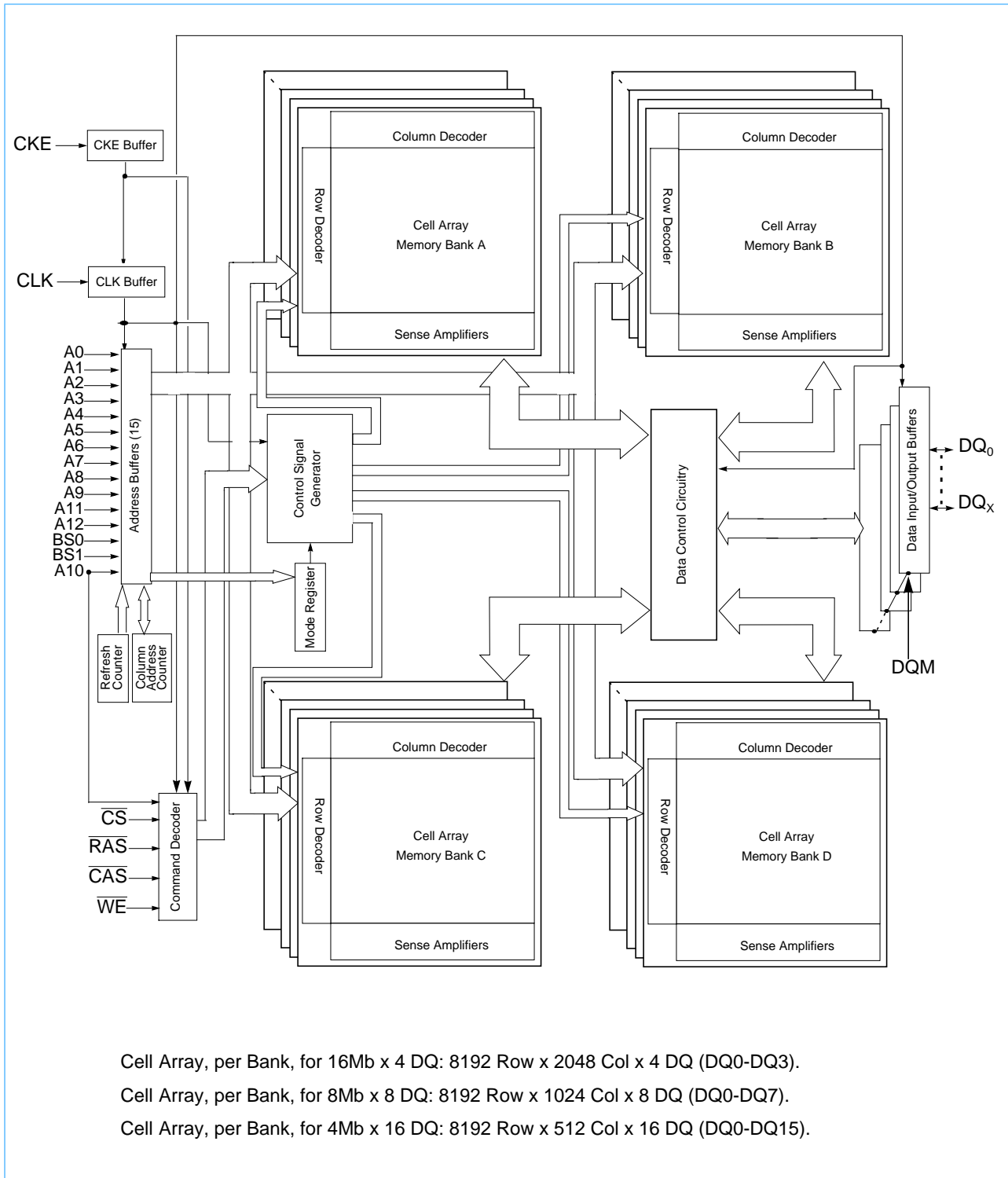
**Ordering Information - Planar Devices** (Single $\overline{\text{CS}}$ Pin)

Part Number	$\overline{\text{CAS}}$ Latencies	Power Supply	Clock Cycle	Package	Org.
IBM0325404CT3A-75A	3	3.3V	7.5ns	400mil Type II TSOP-54	x4
IBM0325404CT3A-260	2, 3	3.3V	10ns	400mil Type II TSOP-54	x4
IBM0325404CT3A-360	2, 3	3.3V	10ns	400mil Type II TSOP-54	x4
IBM0325404CT3A-10	2, 3	3.3V	10ns	400mil Type II TSOP-54	x4
IBM0325804CT3A-75A	3	3.3V	7.5ns	400mil Type II TSOP-54	x8
IBM0325804CT3A-260	2, 3	3.3V	10ns	400mil Type II TSOP-54	x8
IBM0325804CT3A-360	2, 3	3.3V	10ns	400mil Type II TSOP-54	x8
IBM0325804CT3A-10	2, 3	3.3V	10ns	400mil Type II TSOP-54	x8
IBM0325164CT3A-360	2, 3	3.3V	10ns	400mil Type II TSOP-54	x16

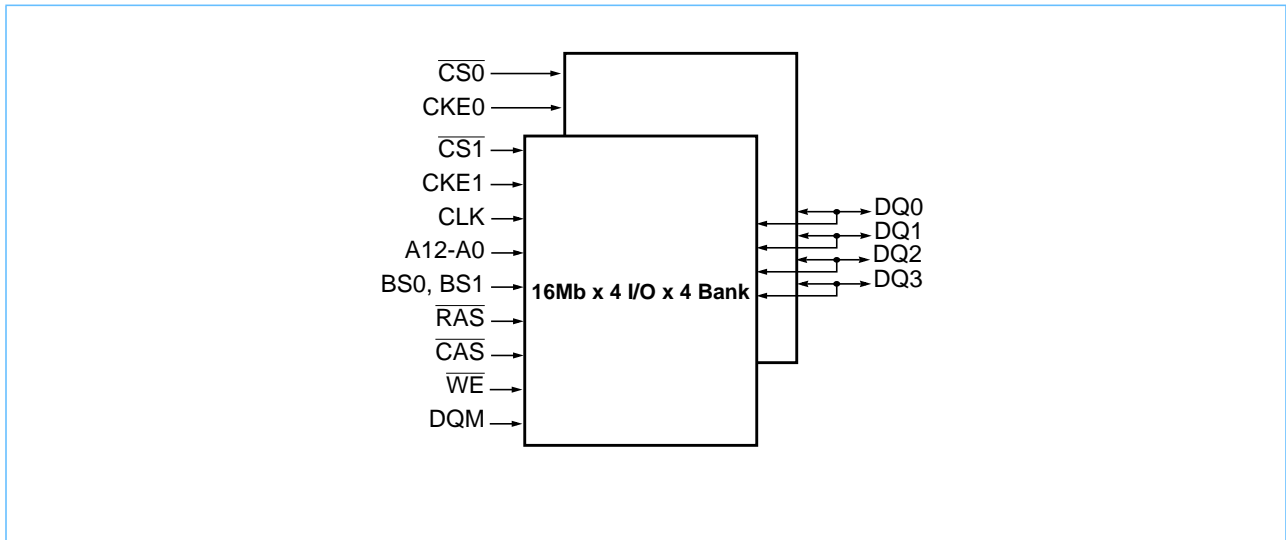
Ordering Information - 2 High Stacked Devices (Dual $\overline{\text{CS}}$ Pin)

Part Number	$\overline{\text{CAS}}$ Latencies	Power Supply	Clock Cycle	Package	Org.
IBM03254B4CT3A-75A	3	3.3V	7.5ns	400mil Type II TSOJ-66	x4
IBM03254B4CT3A-260	2, 3	3.3V	10ns	400mil Type II TSOJ-66	x4
IBM03254B4CT3A-360	2, 3	3.3V	10ns	400mil Type II TSOJ-66	x4
IBM03254B4CT3A-10	2, 3	3.3V	10ns	400mil Type II TSOJ-66	x4

Block Diagram - Planar Devices



Block Diagram - 32Mbit x 4 I/O x 4 Bank (2-High)



Power On and Initialization

The default power-on state of the mode register is supplier specific and may be undefined. The following power on and initialization sequence guarantees the device is preconditioned to each user's specific needs.

Like a conventional DRAM, the Synchronous DRAM must be powered up and initialized in a predefined manner. During Power On, all V_{DD} and V_{DDQ} pins must be built up simultaneously to the specified voltage when the input signals are held in the "NOP" state. The power-on voltage must not exceed $V_{DD}+0.3V$ on any of the input pins or V_{DD} supplies. The CLK signal must be started at the same time. After Power On, an initial pause of 200 μs is required followed by a precharge of all banks using the Precharge command. To prevent data contention on the DQ bus during Power On, it is required that the DQM and CKE pins be held high during the initial pause period. Once all banks have been precharged, the Mode Register Set command must be issued to initialize the Mode Register. A minimum of two Auto Refresh cycles (CBR) are also required. These may be done before or after programming the Mode Register. Failure to follow these steps may lead to unpredictable start-up modes.

Programming the Mode Register

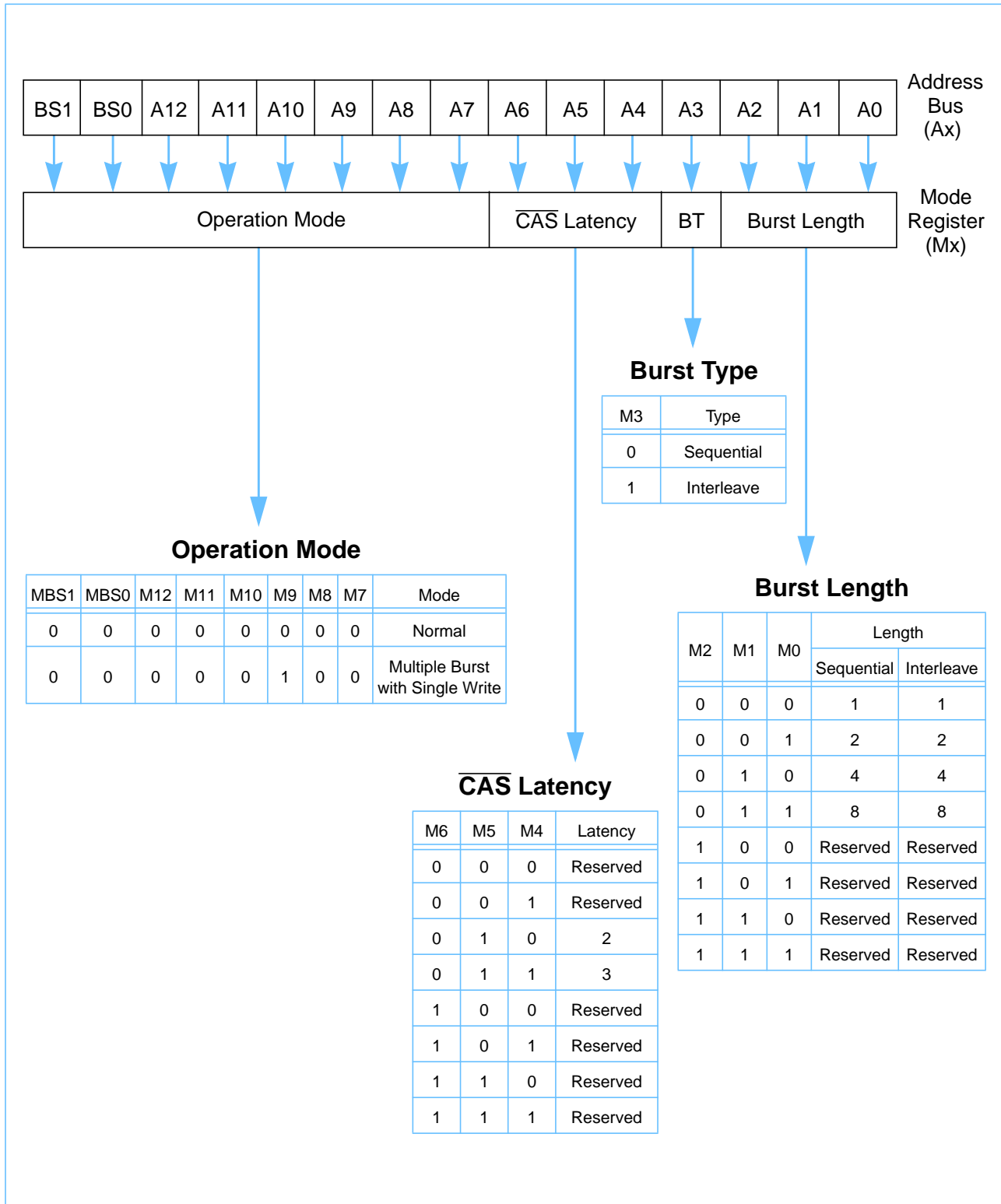
For application flexibility, \overline{CAS} latency, burst length, burst sequence, and operation type are user-defined variables and must be programmed into the SDRAM Mode Register with a single Mode Register Set command. Any content of the Mode Register can be altered by re-executing the Mode Register Set command. If the user chooses to modify only a subset of the Mode Register variables, all four variables must be redefined when the Mode Register Set command is issued.

After initial Power Up, the Mode Register Set command must be issued before read or write cycles may begin. All banks must be in a precharged state and CKE must be high at least one cycle before the Mode Register Set command can be issued. The Mode Register Set command is activated by the low signals of \overline{RAS} , \overline{CAS} , \overline{CS} and \overline{WE} at the positive edge of the clock. The address input data during this cycle defines the parameters to be set as shown in the Mode Register Operation table. A new command may be issued following the Mode Register Set command once a delay equal to t_{RSC} has elapsed.

\overline{CAS} Latency

The \overline{CAS} latency is a parameter that is used to define the delay from when a Read command is registered on a rising clock edge to when the data from that Read command becomes available at the outputs. The \overline{CAS} latency is expressed in terms of clock cycles and can have a value of 2 or 3 cycles. The value of the \overline{CAS} latency is determined by the speed grade of the device and the clock frequency that is used in the application. A table showing the relationship between the \overline{CAS} latency, speed grade, and clock frequency appears in the Electrical Characteristics section of this document. Once the appropriate \overline{CAS} latency has been selected it must be programmed into the mode register after Power Up; for an explanation of this procedure see Programming the Mode Register in the previous section.

Mode Register Operation (Address Input For Mode Set)



Burst Mode Operation

Burst mode operation is used to provide a constant flow of data to memory locations (write cycle), or from memory locations (read cycle). There are three parameters that define how the burst mode will operate. These parameters include burst sequence, burst length, and operation mode. The burst sequence and burst length are programmable, and are determined by address bits A0 - A3 during the Mode Register Set command. Operation mode is also programmable and is set by address bits A7 - A12, BS0, and BS1.

The burst type is used to define the order in which the burst data will be delivered or stored to the SDRAM. Two types of burst sequences are supported: sequential and interleaved. See the table below.

The burst length controls the number of bits that will be output after a Read command, or the number of bits to be input after a Write command. The burst length can be programmed to have values of 1, 2, 4, or 8.

Burst operation mode can be normal operation or Multiple Burst with single write operation. Normal operation implies that the device will perform burst operations on both read and write cycles until the desired burst length is satisfied. Multiple Burst with single write operation was added to support Write Through Cache operation. Here, the programmed burst length only applies to read cycles. All write cycles are single write operations when this mode is selected.

Burst Length and Sequence

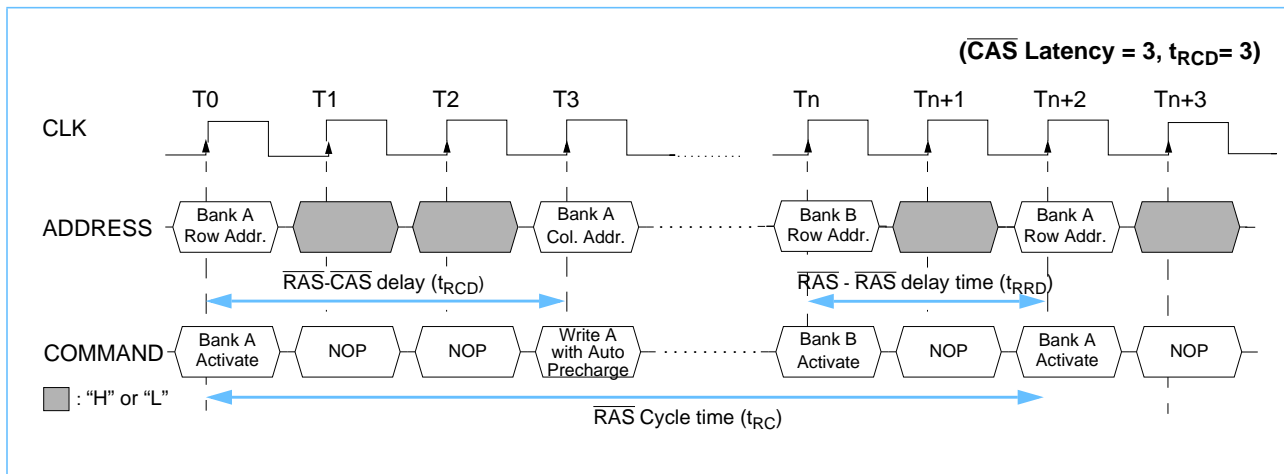
Burst Length	Starting Address (A2 A1 A0)	Sequential Addressing (decimal)	Interleave Addressing (decimal)
2	x x 0	0, 1	0, 1
	x x 1	1, 0	1, 0
4	x 0 0	0, 1, 2, 3	0, 1, 2, 3
	x 0 1	1, 2, 3, 0	1, 0, 3, 2
	x 1 0	2, 3, 0, 1	2, 3, 0, 1
	x 1 1	3, 0, 1, 2	3, 2, 1, 0
8	0 0 0	0, 1, 2, 3, 4, 5, 6, 7	0, 1, 2, 3, 4, 5, 6, 7
	0 0 1	1, 2, 3, 4, 5, 6, 7, 0	1, 0, 3, 2, 5, 4, 7, 6
	0 1 0	2, 3, 4, 5, 6, 7, 0, 1	2, 3, 0, 1, 6, 7, 4, 5
	0 1 1	3, 4, 5, 6, 7, 0, 1, 2	3, 2, 1, 0, 7, 6, 5, 4
	1 0 0	4, 5, 6, 7, 0, 1, 2, 3	4, 5, 6, 7, 0, 1, 2, 3
	1 0 1	5, 6, 7, 0, 1, 2, 3, 4	5, 4, 7, 6, 1, 0, 3, 2
	1 1 0	6, 7, 0, 1, 2, 3, 4, 5	6, 7, 4, 5, 2, 3, 0, 1
	1 1 1	7, 0, 1, 2, 3, 4, 5, 6	7, 6, 5, 4, 3, 2, 1, 0

Bank Activate Command

In relation to the operation of a fast page mode DRAM, the Bank Activate command corresponds to a falling $\overline{\text{RAS}}$ signal. The Bank Activate command is issued by holding $\overline{\text{CAS}}$ and $\overline{\text{WE}}$ high with $\overline{\text{CS}}$ and $\overline{\text{RAS}}$ low at the rising edge of the clock. The bank select address BS0, BS1 is used to select the desired bank. The row address A0 - A12 is used to determine which row to activate in the selected bank. Activation of banks within both decks of a 2-High stacked device is allowed.

The Bank Activate command must be applied before any Read or Write operation can be executed. The delay from when the Bank Activate command is applied to when the first read or write operation can begin must meet or exceed the $\overline{\text{RAS}}$ to $\overline{\text{CAS}}$ delay time (t_{RCD}). Once a bank has been activated it must be pre-charged before another Bank Activate command can be applied to the same bank. The minimum time interval between successive Bank Activate commands to the same bank is determined by the $\overline{\text{RAS}}$ cycle time of the device (t_{RC}). The minimum time interval between interleaved Bank Activate commands (Bank A to Bank B and vice versa) is the Bank to Bank delay time (t_{RRD}). The maximum time that each bank can be held active is specified as $t_{\text{RAS(max)}}$.

Bank Activate Command Cycle



Bank Select

The Bank Select inputs, BS0 and BS1, determine the bank to be used during a Bank Activate, Precharge, Read, or Write operation.

Bank Selection Bits

BS0	BS1	Bank
0	0	Bank 0
1	0	Bank 1
0	1	Bank 2
1	1	Bank 3

Read and Write Access Modes

After a bank has been activated, a read or write cycle can be executed. This is accomplished by setting \overline{RAS} high and \overline{CAS} low at the clock's rising edge after the necessary \overline{RAS} to \overline{CAS} delay (t_{RCD}). \overline{WE} must also be defined at this time to determine whether the access cycle is a read operation (\overline{WE} high) or a write operation (\overline{WE} low). The address inputs determine the starting column address.

The SDRAM provides a wide variety of fast access modes. A single Read or Write command will initiate a serial read or write operation on successive clock cycles up to 133 MHz. The number of serial data bits for each access is equal to the burst length, which is programmed into the Mode Register.

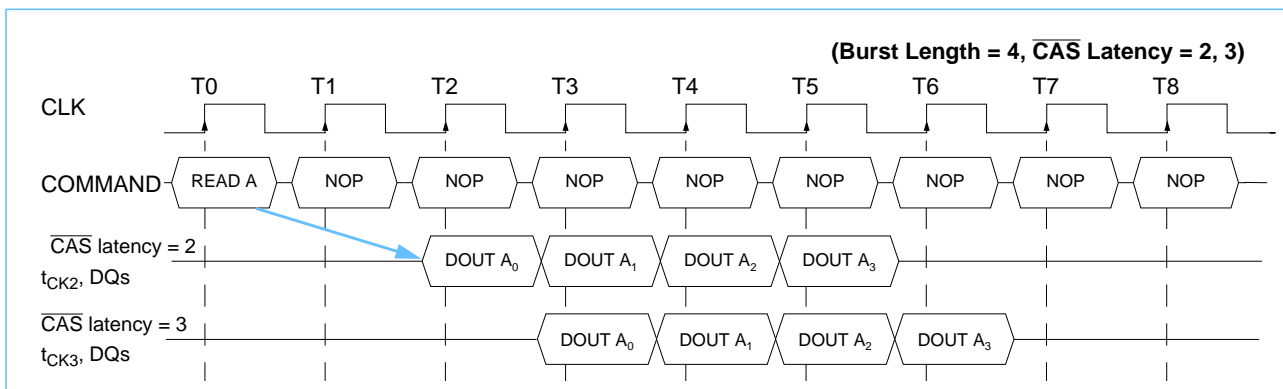
Similar to Page mode of conventional DRAMs, a read or write cycle cannot begin until the sense amplifiers latch the selected row address information. The refresh period (t_{REF}) is what limits the number of random column accesses to an activated bank. A new burst access can be done even before the previous burst ends. The ability to interrupt a Burst operation at every clock cycle is supported; this is referred to as the 1-N rule. When the previous burst is interrupted by another Read or Write command, the remaining addresses are overridden by the new address.

Precharging an active bank after each read or write operation is not necessary providing the same row is to be accessed again. To perform a read or write cycle to a different row within an activated bank, the bank must be precharged and a new Bank Activate command must be issued. When more than one bank is activated, interleaved (ping pong) bank Read or Write operations are possible. By using the programmed burst length and alternating the access and precharge operations between multiple banks, fast and seamless data access operation among many different pages can be realized. When multiple banks are activated, column-to-column interleave operation can be done between different pages. Finally, Read or Write commands can be issued to the same bank or between active banks on every clock cycle.

Burst Read Command

The Burst Read command is initiated by having \overline{CS} and \overline{CAS} low while holding \overline{RAS} and \overline{WE} high at the rising edge of the clock. The address inputs determine the starting column address for the burst, the Mode Register sets the type of burst (sequential or interleave) and the burst length (1, 2, 4, 8). The delay from the start of the command to when the data from the first cell appears on the outputs is equal to the value of the \overline{CAS} latency that is set in the Mode Register.

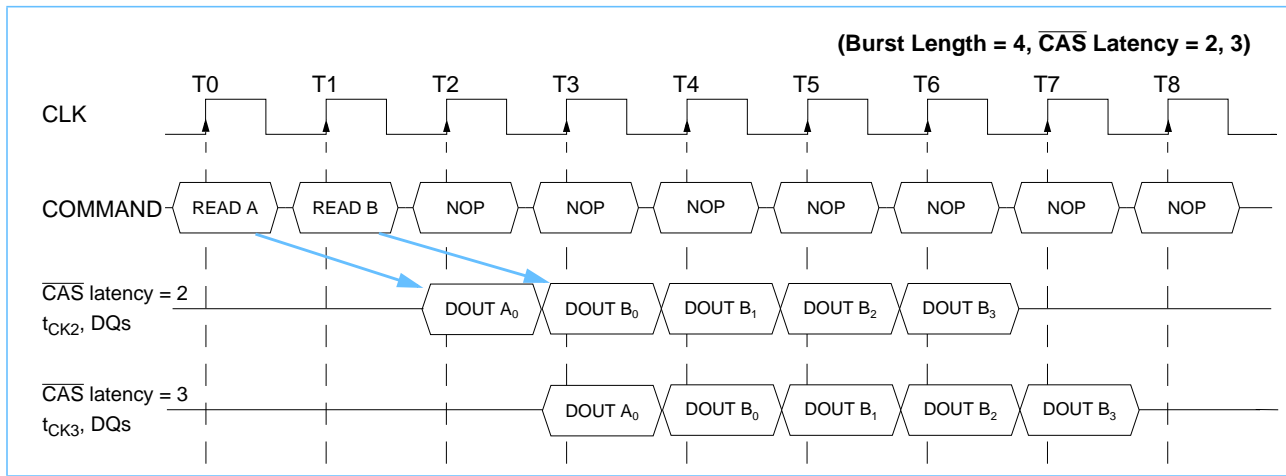
Burst Read Operation



Read Interrupted by a Read

A Burst Read may be interrupted before completion of the burst by another Read command, with the only restriction being that the interval that separates the commands must be at least one clock cycle. When the previous burst is interrupted, the remaining addresses are overridden by the new address with the full burst length. The data from the first Read command continues to appear on the outputs until the $\overline{\text{CAS}}$ latency from the interrupting Read command is satisfied; at this point the data from the interrupting Read command appears.

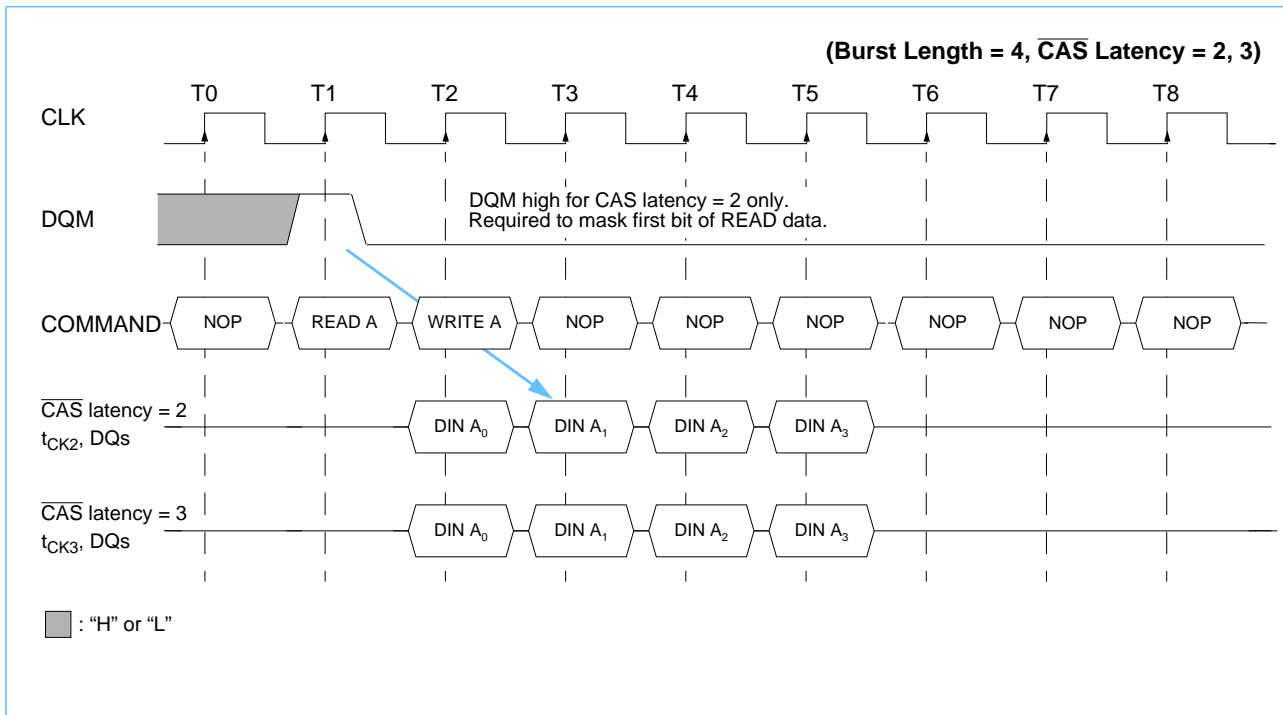
Read Interrupted by a Read



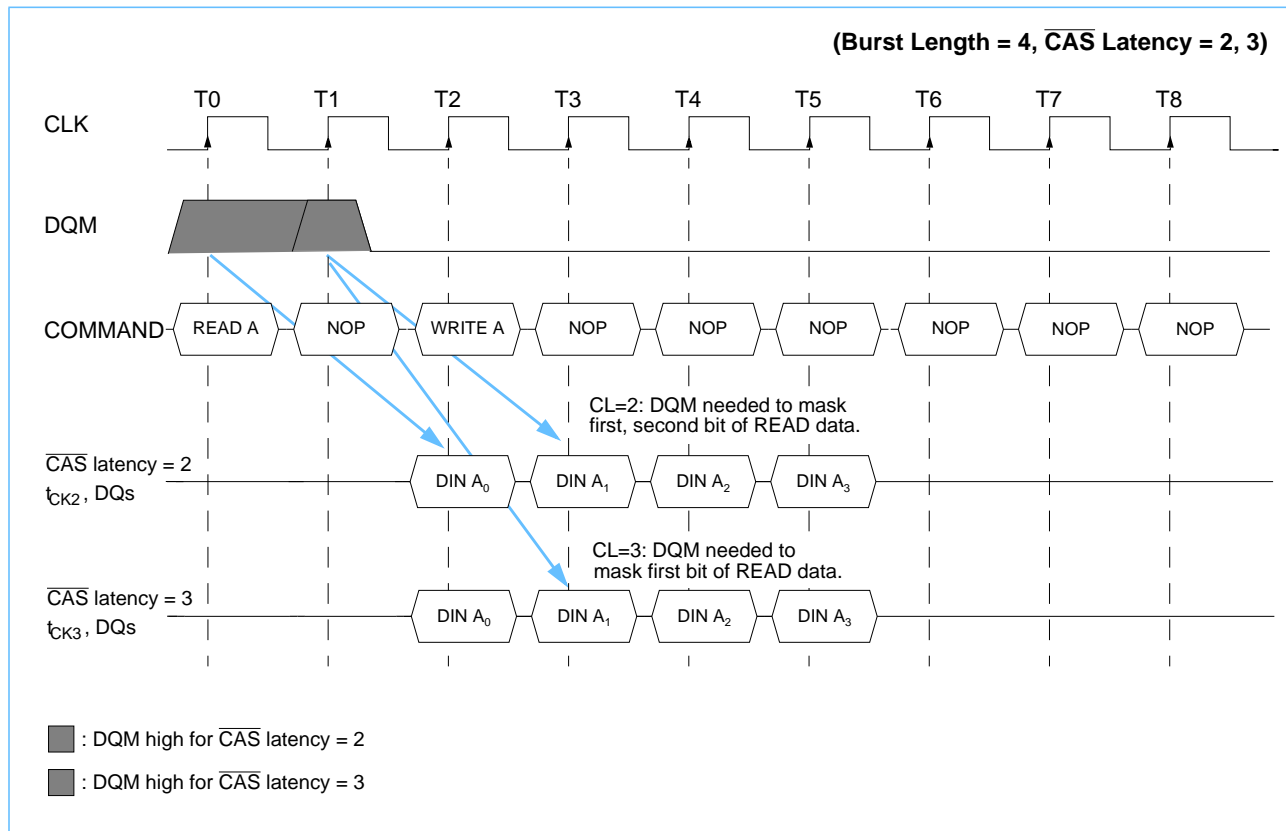
Read Interrupted by a Write

To interrupt a Burst Read with a Write command, DQM may be needed to place the DQs (output drivers) in a high impedance state to avoid data contention on the DQ bus. If a Read command will issue data on the first or second clocks cycles of the write operation, DQM is needed to ensure the DQs are tri-stated. After that point the Write command will have control of the DQ bus.

Minimum Read to Write Interval



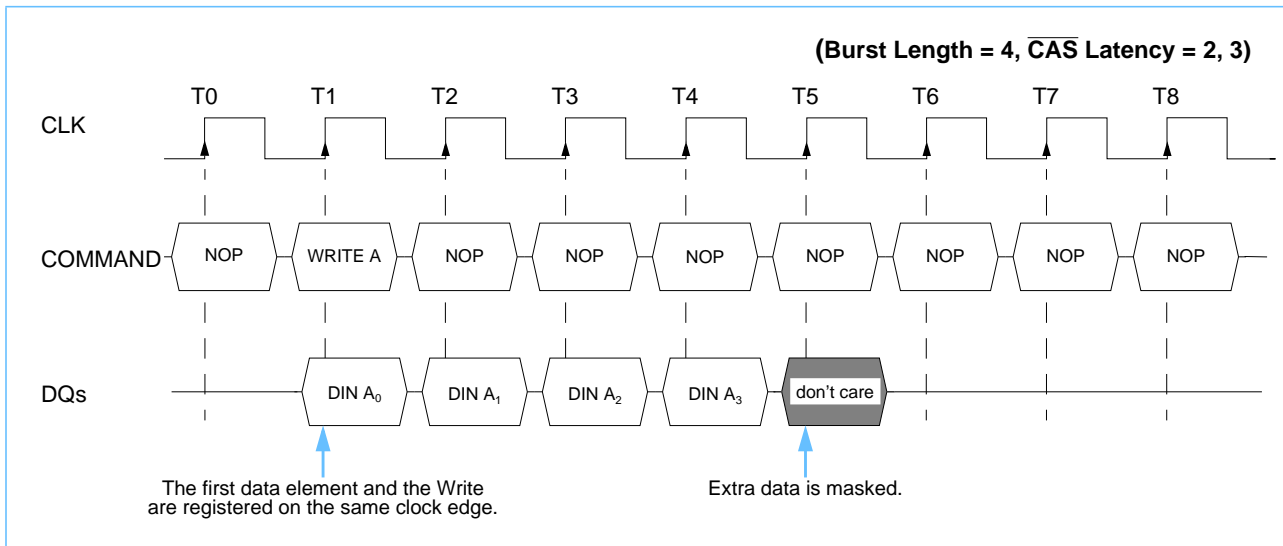
Non-Minimum Read to Write Interval



Burst Write Command

The Burst Write command is initiated by having \overline{CS} , \overline{CAS} , and \overline{WE} low while holding \overline{RAS} high at the rising edge of the clock. The address inputs determine the starting column address. There is no \overline{CAS} latency required for Burst Write cycles. Data for the first Burst Write cycle must be applied on the DQ pins on the same clock cycle that the Write command is issued. The remaining data inputs must be supplied on each subsequent rising clock edge until the burst length is completed. When the burst has finished, any additional data supplied to the DQ pins will be ignored.

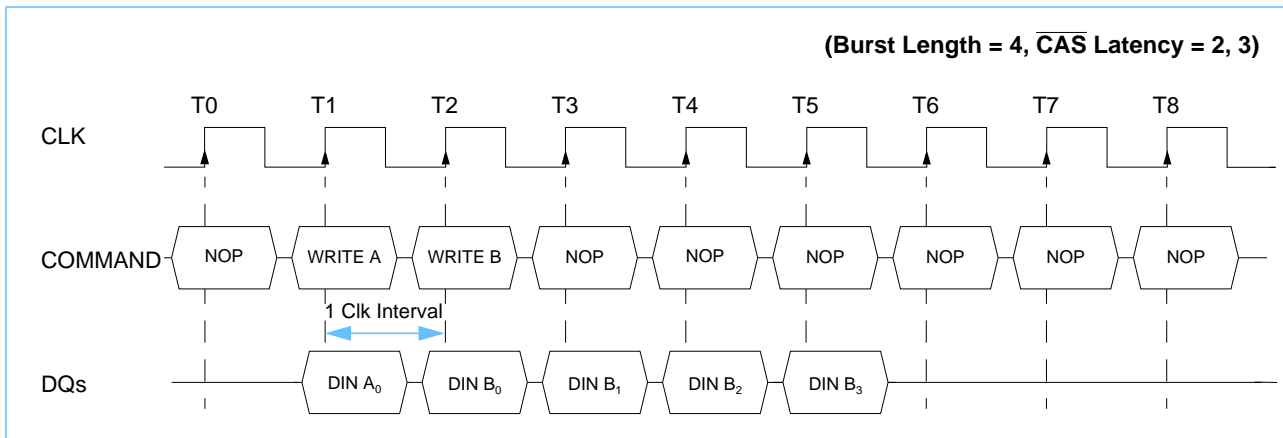
Burst Write Operation



Write Interrupted by a Write

A Burst Write may be interrupted before completion of the burst by another Write command. When the previous burst is interrupted, the remaining addresses are overridden by the new address and data will be written into the device until the programmed burst length is satisfied.

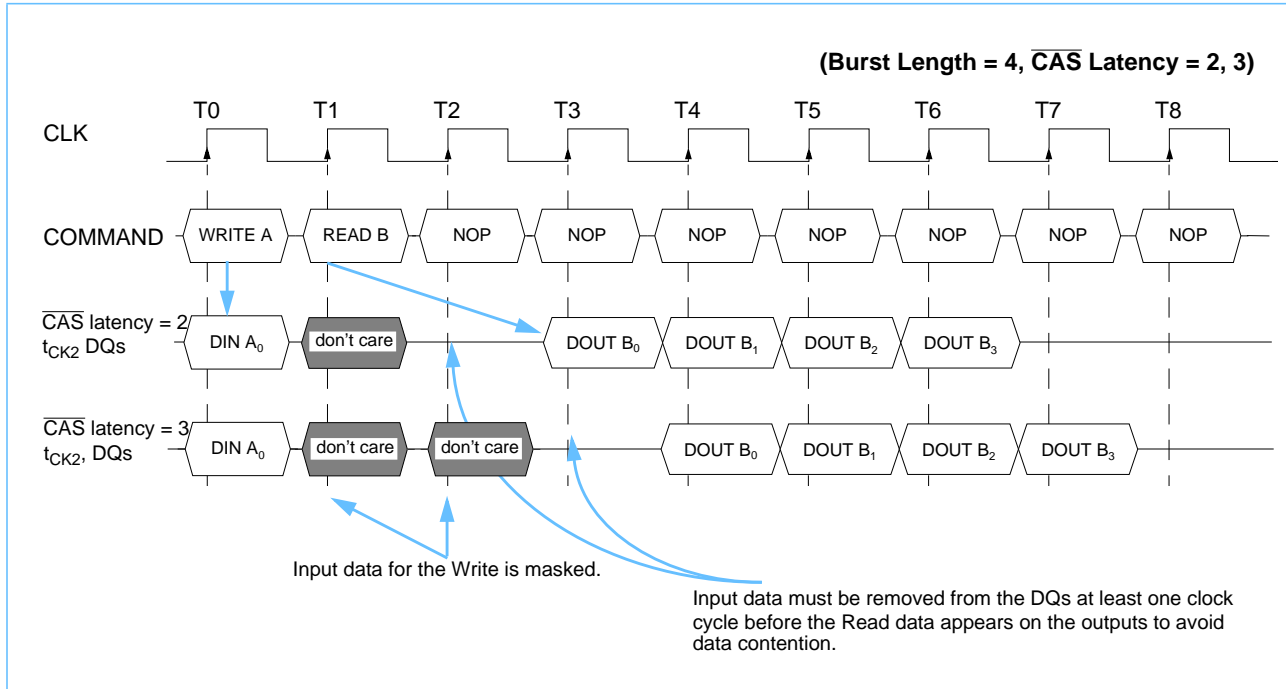
Write Interrupted by a Write



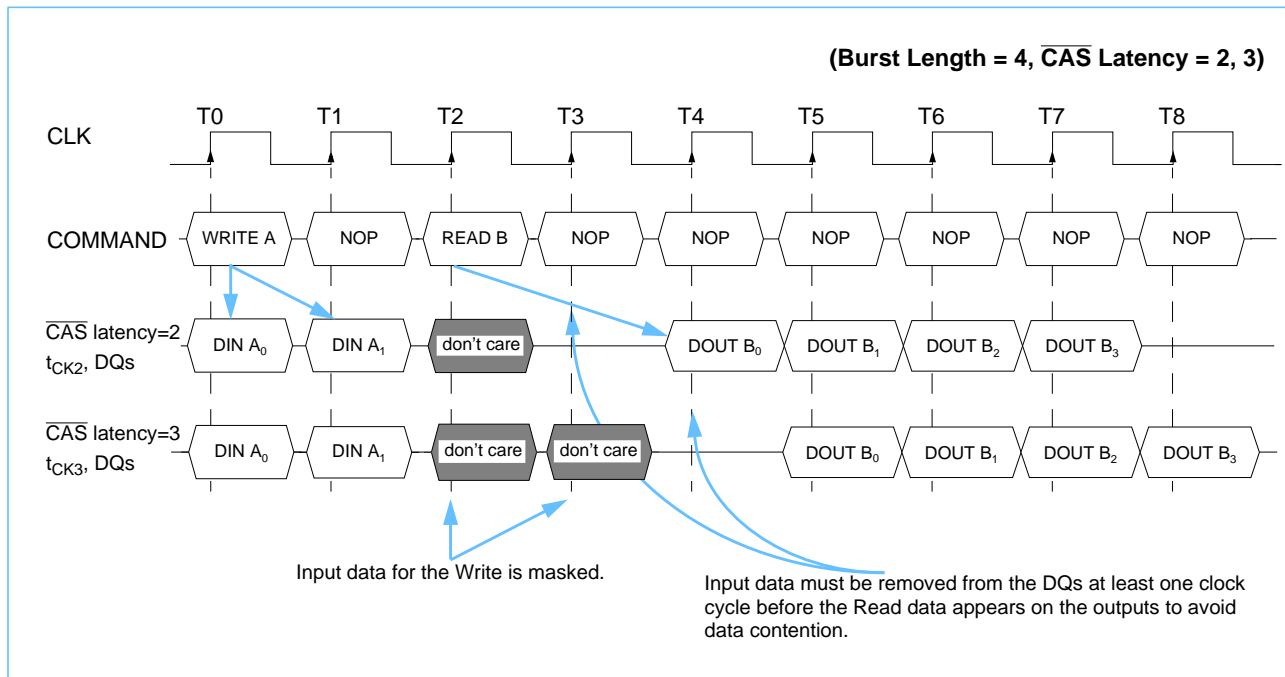
Write Interrupted by a Read

A Read command will interrupt a Burst Write operation on the same clock cycle that the Read command is registered. The DQs must be in the high impedance state at least one cycle before the interrupting read data appears on the outputs to avoid data contention. When the Read command is registered, any residual data from the Burst Write cycle will be ignored. Data that is presented on the DQ pins before the Read command is initiated will actually be written to the memory.

Minimum Write to Read Interval



Non-Minimum Write to Read Interval



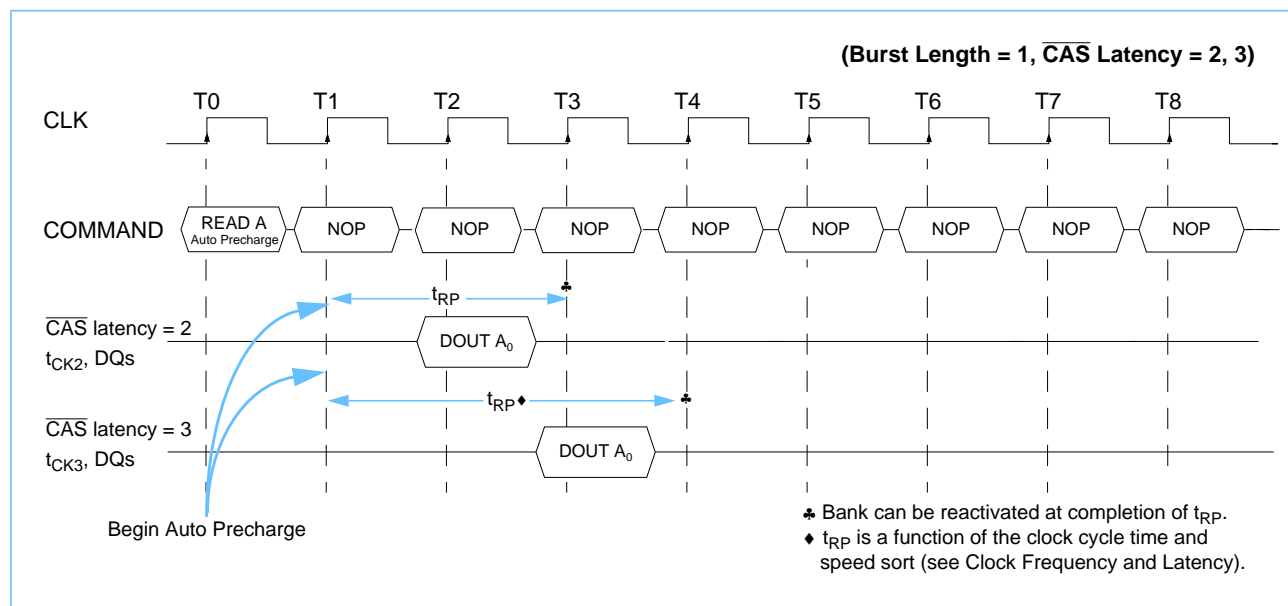
Auto Precharge Operation

Before a new row in an active bank can be opened, the active bank must be precharged using either the Precharge command or the Auto Precharge function. When a Read or a Write command is given to the SDRAM, the $\overline{\text{CAS}}$ timing accepts one extra address, column address A10, to allow the active bank to automatically begin precharge at the earliest possible moment during the Burst Read or Write cycle. If A10 is low when the Read or Write command is issued, then normal Read or Write Burst operation is executed and the bank remains active at the completion of the burst sequence. If A10 is high when the Read or Write command is issued, then the Auto Precharge function is engaged. During Auto Precharge, a Read command will execute as normal with the exception that the active bank will begin to precharge before all Burst Read cycles have been completed. Regardless of burst length, the precharge will begin ($\overline{\text{CAS}}$ latency - 1) clock prior to the last data output. Auto Precharge can also be implemented during Write commands.

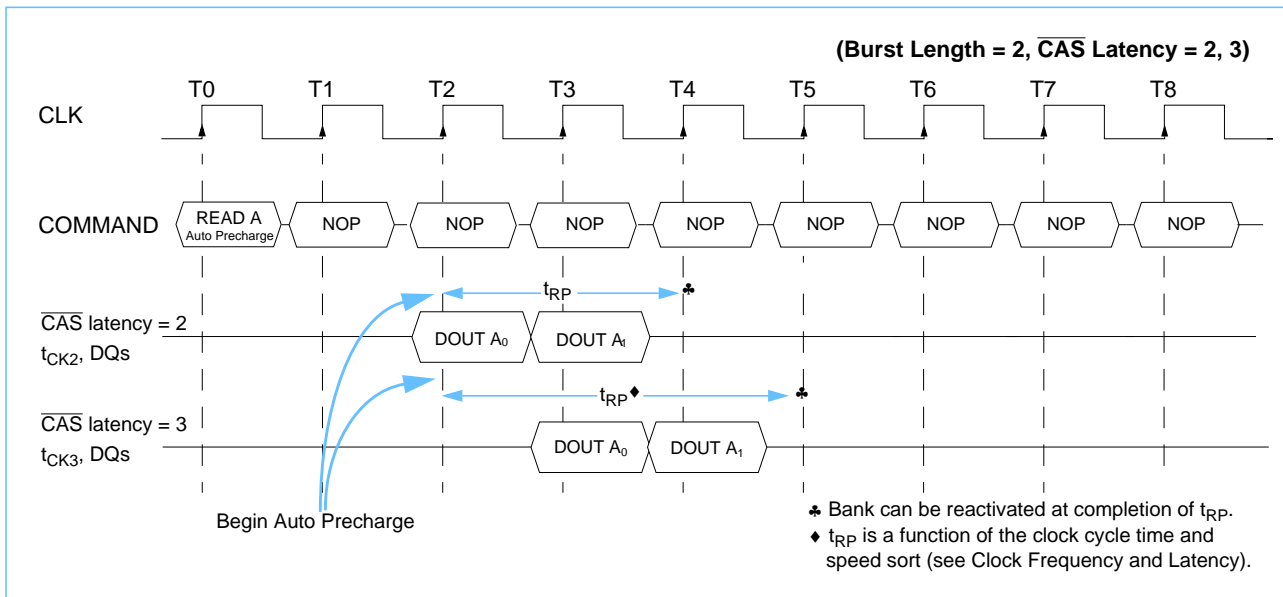
A Read or Write command without Auto Precharge can be terminated in the midst of a Burst operation. However, a Read or Write command with Auto Precharge cannot be interrupted by a command to the same bank. Therefore use of a Read, Write, or Precharge command to the same bank is prohibited during a read or write cycle with Auto Precharge until the entire Burst operation is completed. Once the Precharge operation has started the bank cannot be reactivated until the Precharge time (t_{RP}) has been satisfied.

When using the Auto Precharge command, the interval between the Bank Activate command and the beginning of the internal Precharge operation must satisfy $t_{RAS(\text{min})}$. If this interval does not satisfy $t_{RAS(\text{min})}$ then t_{RCD} must be extended.

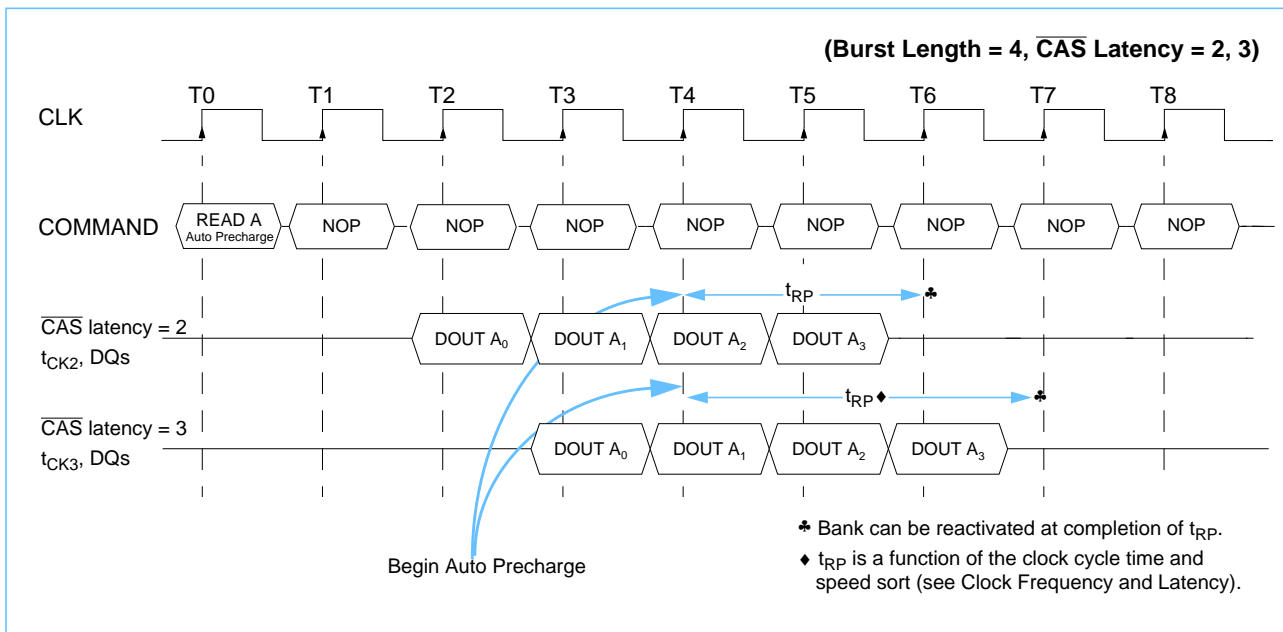
Burst Read with Auto Precharge



Burst Read with Auto Precharge

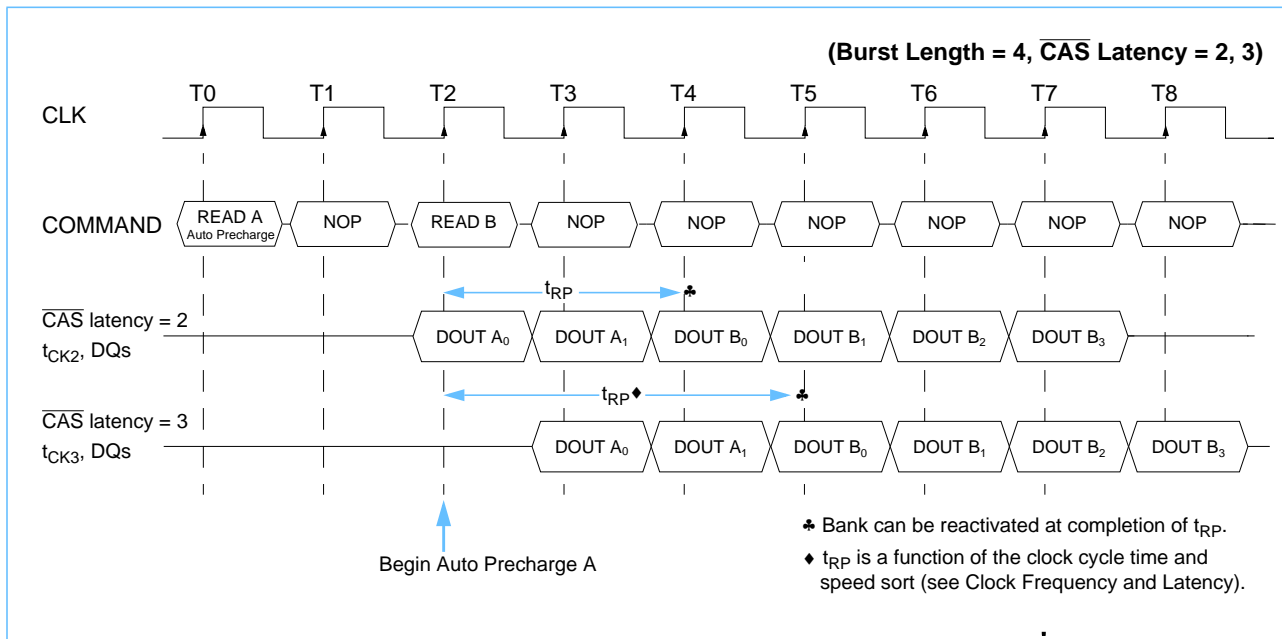


Burst Read with Auto Precharge



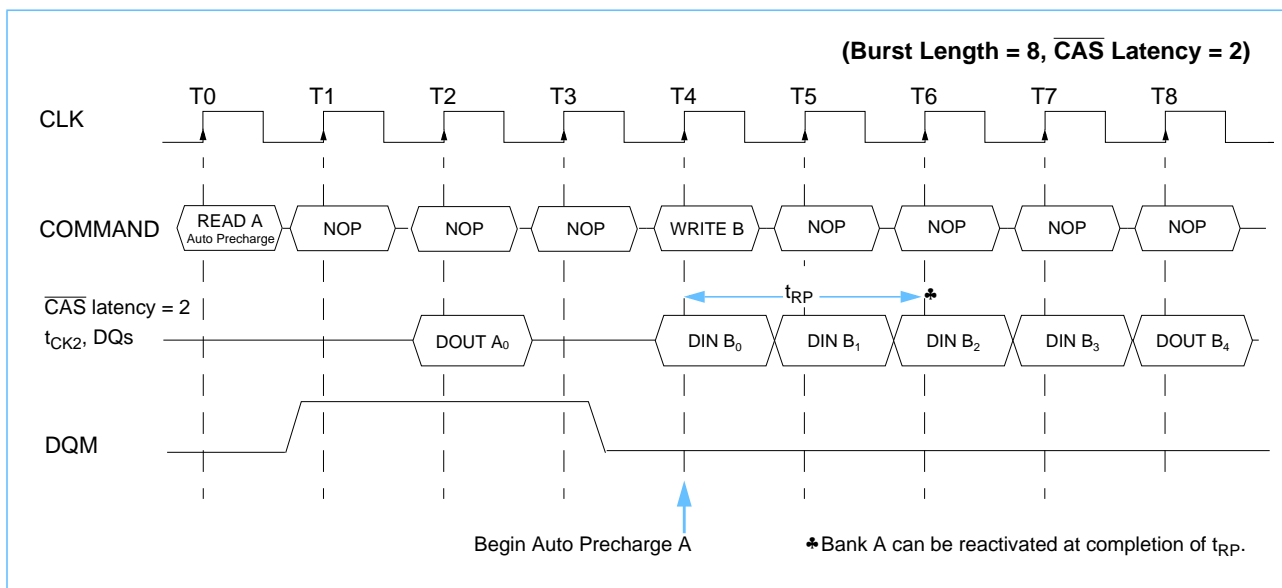
Although a Read command with Auto Precharge cannot be interrupted by a command to the same bank, it can be interrupted by a Read or Write command to a different bank. If the interrupting command is issued before Auto Precharge begins then the Precharge function will begin with the new command.

Burst Read with Auto Precharge Interrupted by Read



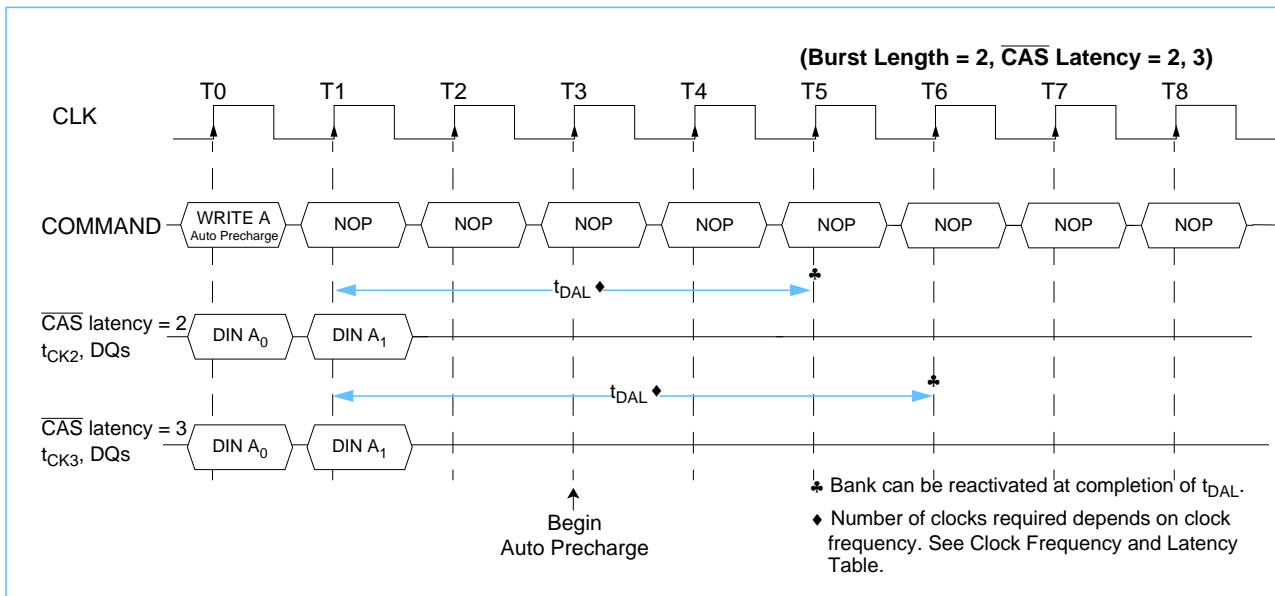
If interrupting a Read command with Auto Precharge with a Write command, DQM must be used to avoid DQ contention.

Burst Read with Auto Precharge Interrupted by Write



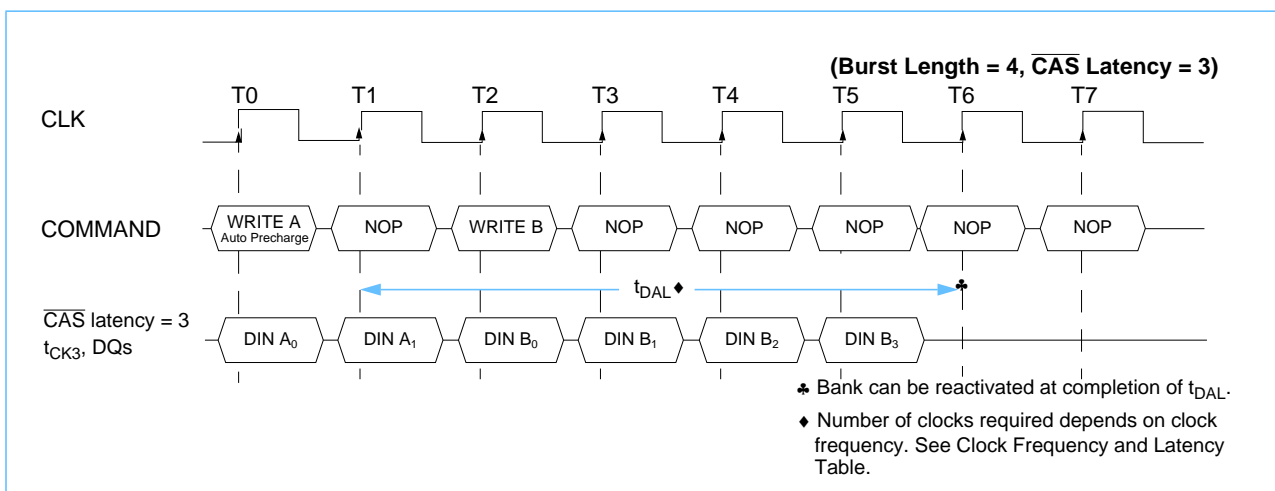
If A10 is high when a Write command is issued, the Write with Auto Precharge function is initiated. The bank undergoing Auto Precharge cannot be reactivated until t_{DAL} , Data-in to Active delay, is satisfied.

Burst Write with Auto Precharge

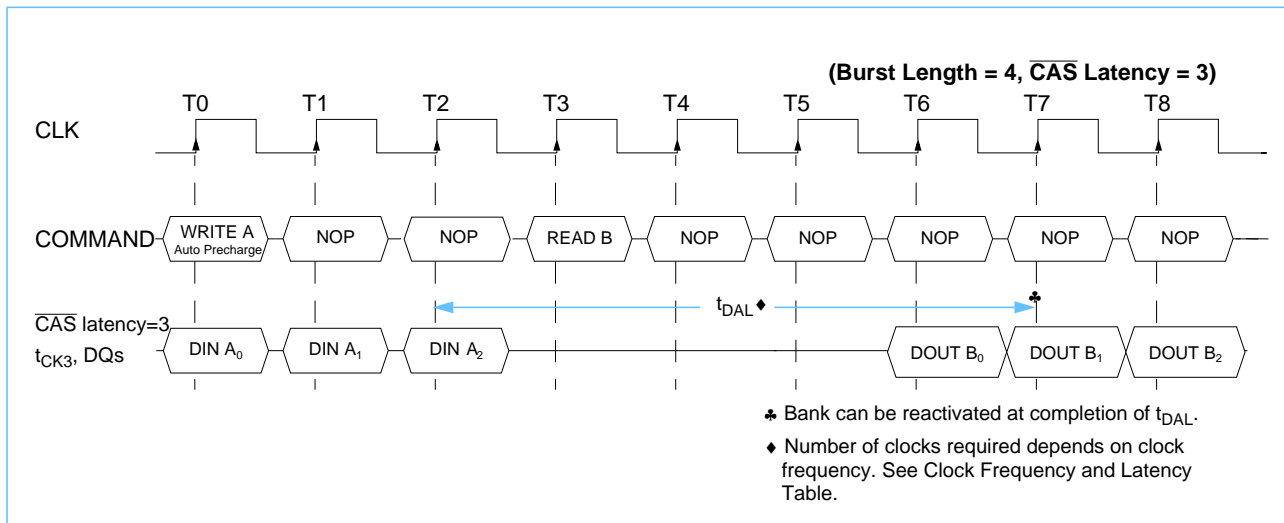


Similar to the Read command, a Write command with Auto Precharge cannot be interrupted by a command to the same bank. It can be interrupted by a Read or Write command to a different bank, however. The interrupting command will terminate the write. The bank undergoing Auto Precharge cannot be reactivated until t_{DAL} is satisfied.

Burst Write with Auto Precharge Interrupted by Write



Burst Write with Auto Precharge Interrupted by Read



Precharge Command

The Precharge command is used to precharge or close a bank that has been activated. The Precharge command is triggered when $\overline{\text{CS}}$, $\overline{\text{RAS}}$, and $\overline{\text{WE}}$ are low and $\overline{\text{CAS}}$ is high at the rising edge of the clock. The Precharge command can be used to precharge each bank separately or all banks simultaneously. Three address bits—A10, BS0, and BS1—are used to define which bank(s) is to be precharged when the command is issued.

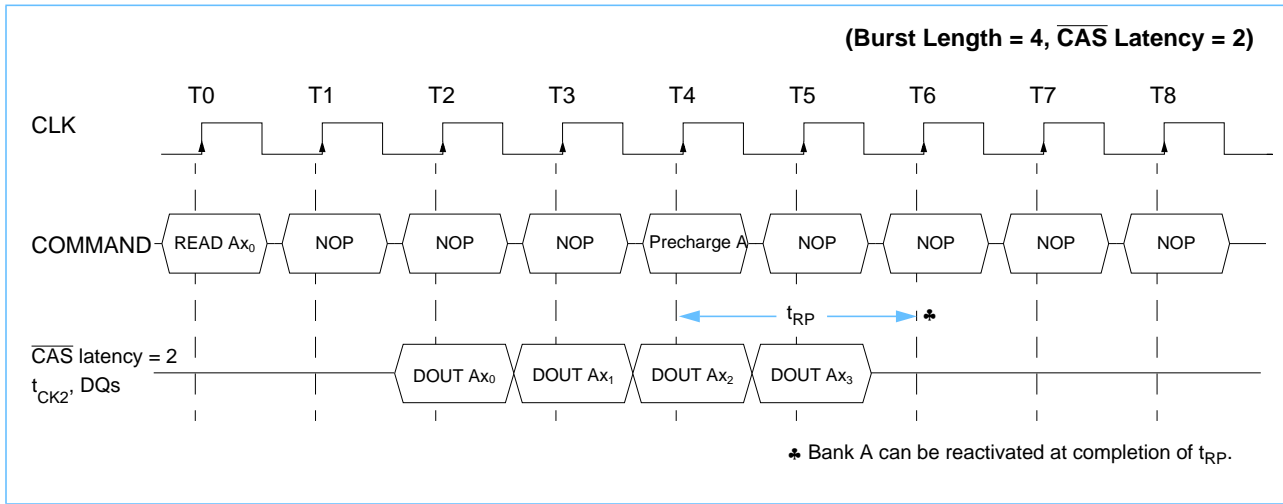
Bank Selection for Precharge by Address Bits

A10	Bank Select	Precharged Bank(s)
LOW	BS0, BS1	Single bank defined by BS0, BS1
HIGH	DON'T CARE	All Banks

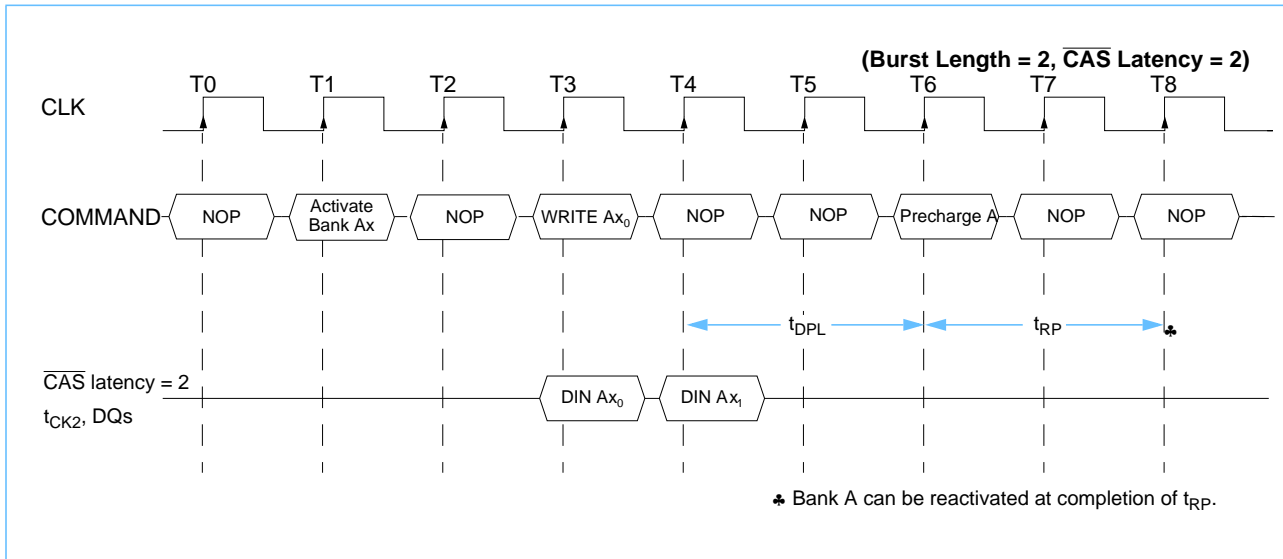
For read cycles, the Precharge command may be applied ($\overline{\text{CAS}}$ latency - 1) prior to the last data output. For write cycles, a delay must be satisfied from the start of the last Burst Write cycle until the Precharge command can be issued. This delay is known as t_{DPL} , Data-in to Precharge delay.

After the Precharge command is issued, the precharged bank must be reactivated before a new read or write access can be executed. The delay between the Precharge command and the Activate command must be greater than or equal to the Precharge time (t_{RP}).

Burst Read followed by the Precharge Command



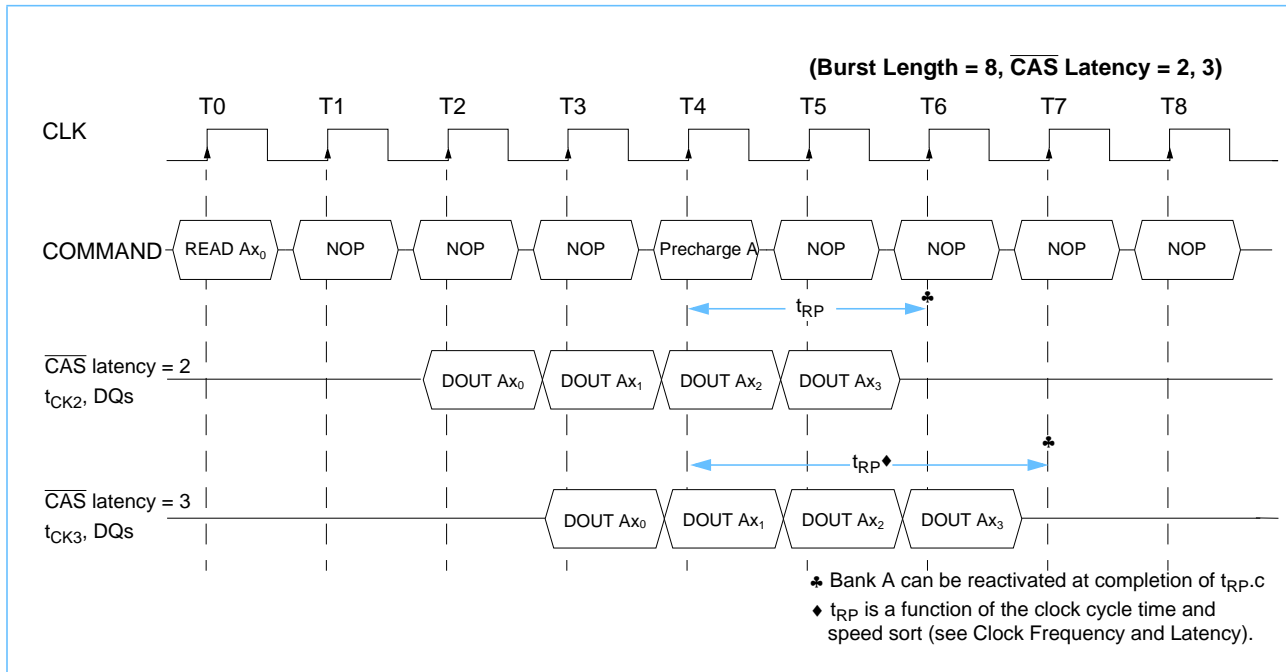
Burst Write followed by the Precharge Command



Precharge Termination

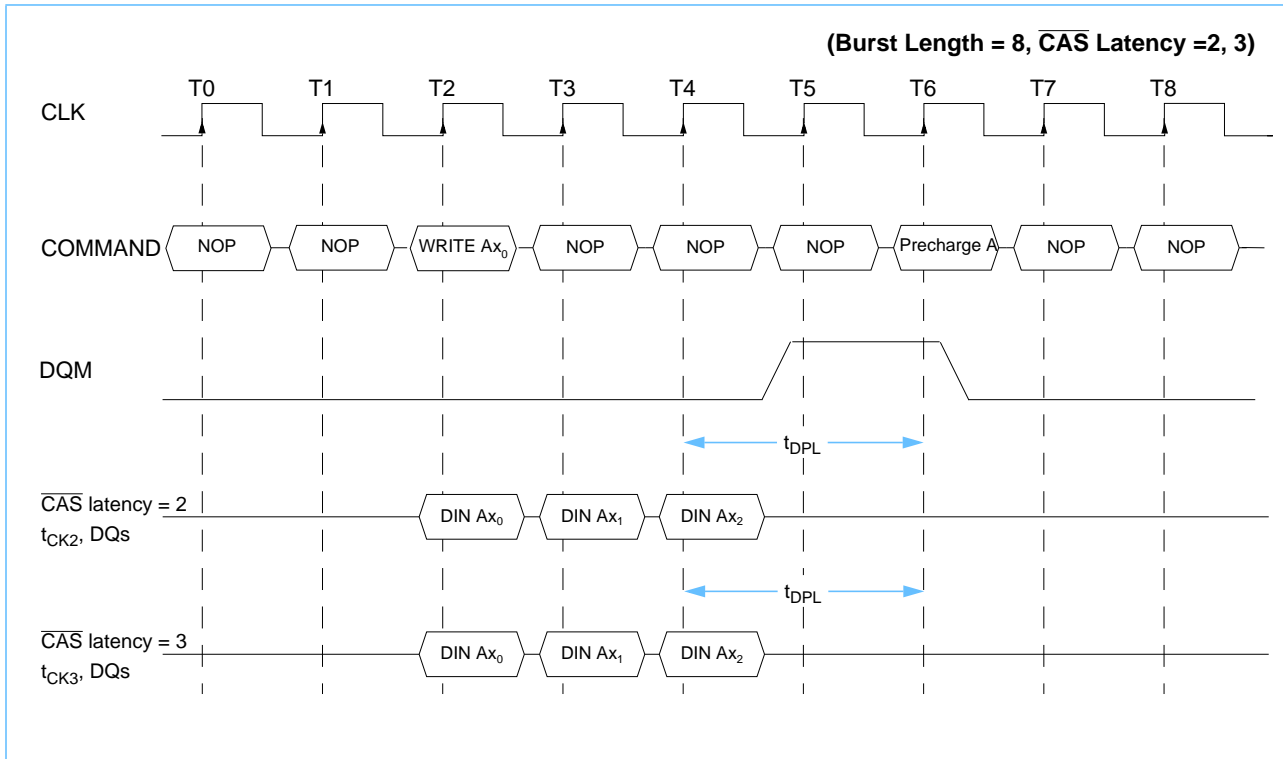
The Precharge command may be used to terminate either a Burst Read or Write operation. When the Precharge command is issued, the Burst operation is terminated and bank precharge begins. For Burst Read operations, valid data will continue to appear on the data bus as a function of $\overline{\text{CAS}}$ Latency.

Burst Read Interrupted by Precharge



Burst Write operations will be terminated by the Precharge command. The last write data that will be properly stored in the device is that write data that is presented to the device a number of clock cycles prior to the Precharge command equal to the Data-in to Precharge delay, t_{DPL} .

Precharge Termination of a Burst Write



Automatic Refresh Command (\overline{CAS} Before \overline{RAS} Refresh)

When \overline{CS} , \overline{RAS} , and \overline{CAS} are held low with CKE and \overline{WE} high at the rising edge of the clock, the chip enters the Automatic Refresh mode (CBR). All banks of the SDRAM must be precharged and idle for a minimum of the Precharge time (t_{RP}) before the Auto Refresh command (CBR) can be applied. For a stacked device, both decks may be refreshed at the same time using Automatic Refresh mode. An address counter internal to the device provides the address during the refresh cycle. No control of the external address pins is required once this cycle has started.

When the refresh cycle has completed, all banks of the SDRAM will be in the precharged (idle) state. A delay between the Auto Refresh command (CBR) and the next Activate command or subsequent Auto Refresh command must be greater than or equal to the \overline{RAS} cycle time (t_{RC}).

Self Refresh Command

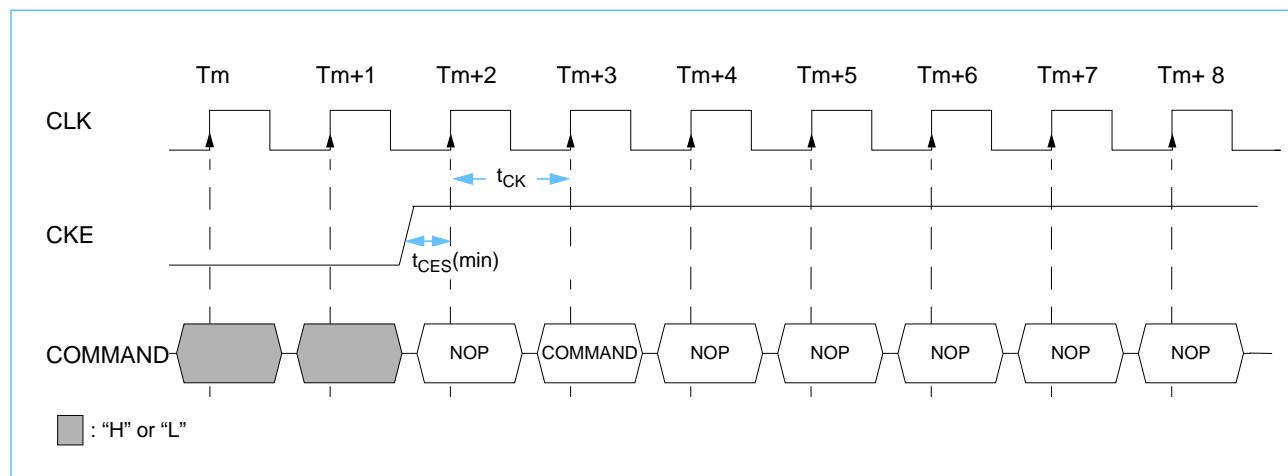
The SDRAM device has a built-in timer to accommodate Self Refresh operation. The Self Refresh command is defined by having \overline{CS} , \overline{RAS} , \overline{CAS} , and CKE held low with \overline{WE} high at the rising edge of the clock. All banks must be idle prior to issuing the Self Refresh command. Once the command is registered, CKE must be held low to keep the device in Self Refresh mode. When the SDRAM has entered Self Refresh mode all of the external control signals, except CKE, are disabled. The clock is internally disabled during Self Refresh operation to save power. The user may halt the external clock while the device is in Self Refresh mode; however, the clock must be restarted before the device can exit Self Refresh operation. Once the clock is cycling, the device will exit Self Refresh operation after CKE is returned high. A minimum delay time is required when the device exits Self Refresh operation and before the next command can be issued. This delay is equal to the \overline{RAS} cycle time (t_{RC}) plus the Self Refresh exit time (t_{SREX}). When using Self Refresh, both decks of a stacked device may be refreshed at the same time.

Power Down Mode

In order to reduce standby power consumption, two power down modes are available: Precharge and Active Power Down mode. To enter Precharge Power Down mode, all banks must be precharged and the necessary Precharge delay (t_{RP}) must occur before the SDRAM can enter the Power Down mode. If a bank is activated but not performing a Read or Write operation, Active Power Down mode will be entered. (Issuing a Power Down Mode command when the device is performing a Read or Write operation causes the device to enter Clock Suspend mode. See the following section.) Once the Power Down mode is initiated by holding CKE low, all of the receiver circuits except CKE are gated off. The Power Down mode does not perform any refresh operations; therefore the device can't remain in Power Down mode longer than the Refresh period (t_{REF}) of the device.

The Power Down mode is exited by bringing CKE high. When CKE goes high, a No Operation command or Device Deselect command is required on the next rising clock edge.

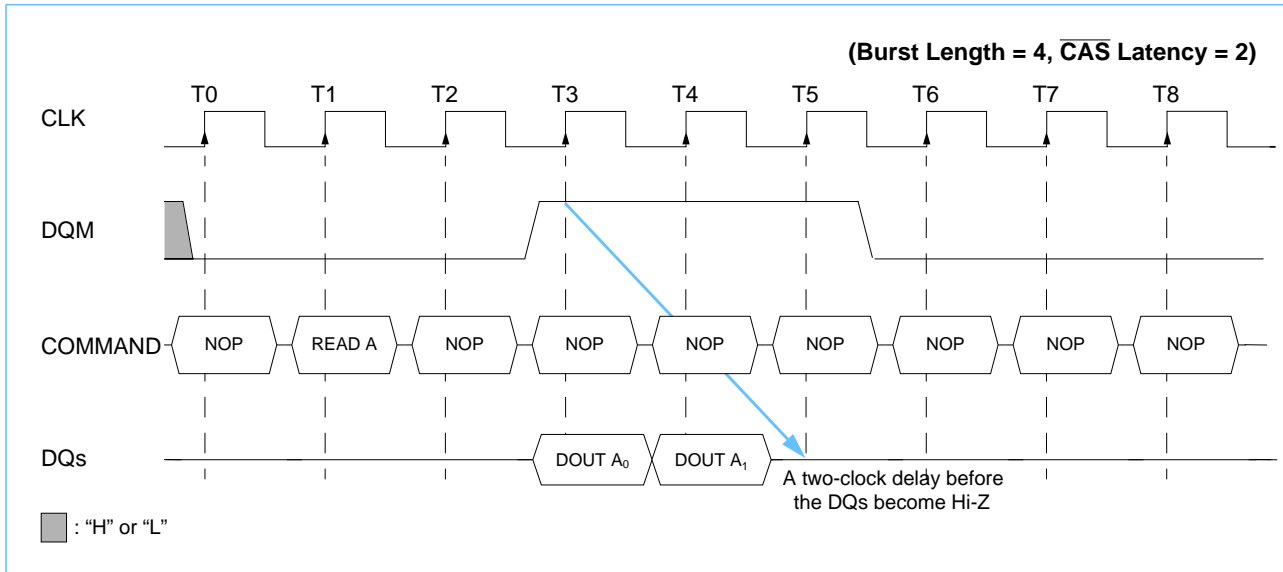
Power Down Mode Exit Timing



Data Mask

The SDRAM has a Data Mask function that can be used in conjunction with data read and write cycles. When the Data Mask is activated (DQM high) during a write cycle, the write operation is prohibited immediately (zero clock latency). If the Data Mask is activated during a read cycle, the data outputs are disabled and become high impedance after a two-clock delay, independent of $\overline{\text{CAS}}$ latency.

Data Mask Activated During a Read Cycle



No Operation Command

The No Operation command should be used in cases when the SDRAM is in an idle or a wait state. The purpose of the No Operation command is to prevent the SDRAM from registering any unwanted commands between operations. A No Operation command is registered when $\overline{\text{CS}}$ is low with $\overline{\text{RAS}}$, $\overline{\text{CAS}}$, and $\overline{\text{WE}}$ held high at the rising edge of the clock. A No Operation command will not terminate a previous operation that is still executing, such as a Burst Read or Write cycle.

Deselect Command

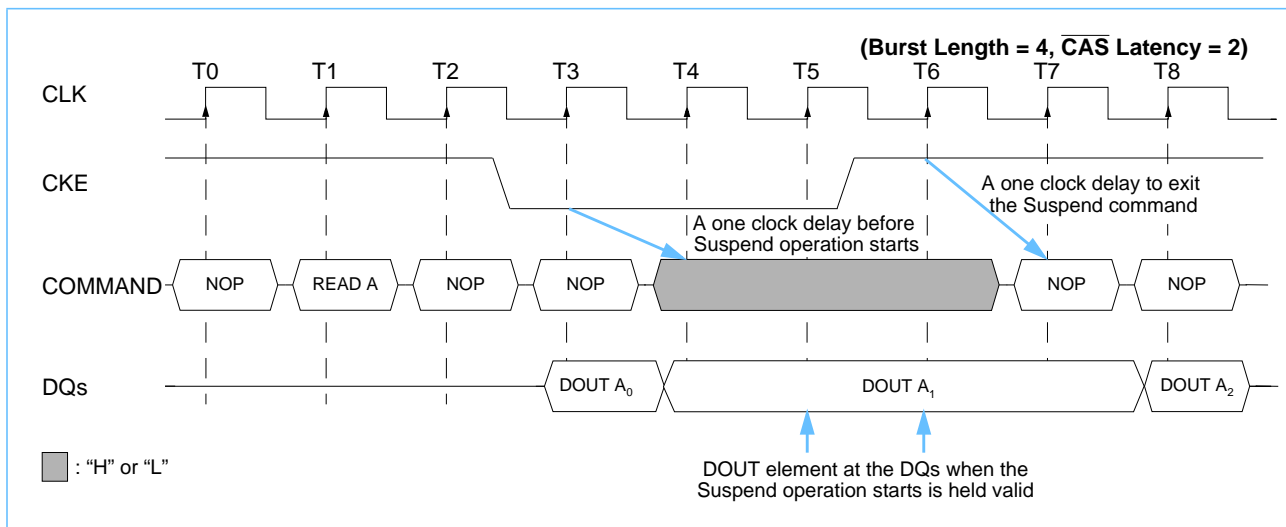
The Deselect command performs the same function as a No Operation command. Deselect command occurs when $\overline{\text{CS}}$ is brought high, the $\overline{\text{RAS}}$, $\overline{\text{CAS}}$, and $\overline{\text{WE}}$ signals become don't cares.

Clock Suspend Mode

During normal access mode, CKE is held high, enabling the clock. When CKE is registered low while at least one of the banks is active, Clock Suspend mode is entered. The Clock Suspend mode deactivates the internal clock and suspends or “freezes” any clocked operation that was currently being executed. There is a one-clock delay between the registration of CKE low and the time at which the SDRAM’s operation suspends. While in Clock Suspend mode, the SDRAM ignores any new commands that are issued. The Clock Suspend mode is exited by bringing CKE high. There is a one-clock-cycle delay from when CKE returns high to when Clock Suspend mode is exited.

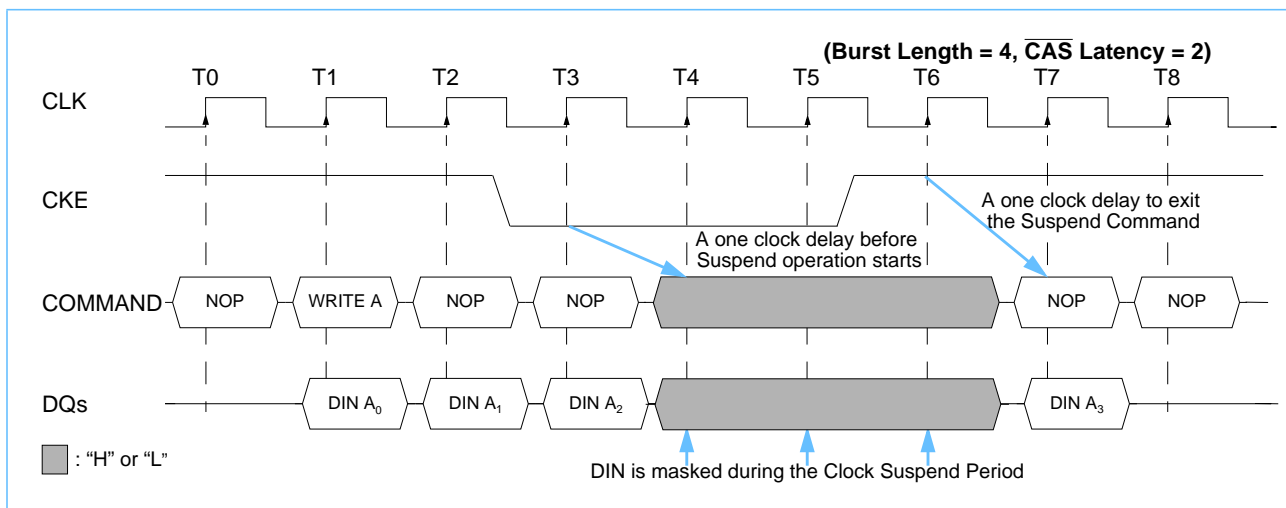
When the operation of the SDRAM is suspended during the execution of a Burst Read operation, the last valid data output onto the DQ pins will be actively held valid until Clock Suspend mode is exited.

Clock Suspend During a Read Cycle



If Clock Suspend mode is initiated during a Burst Write operation, then the input data is masked and ignored until the Clock Suspend mode is exited.

Clock Suspend During a Write Cycle



Command Truth Table (See note 1)

Function	Device State	CKE		\overline{CS}	\overline{RAS}	\overline{CAS}	\overline{WE}	DQM	BS0, BS1	A10	A12, A11, A9-A0	Notes
		Previous Cycle	Current Cycle									
Mode Register Set	Idle	H	X	L	L	L	L	X	OP Code			
Auto (CBR) Refresh	Idle	H	H	L	L	L	H	X	X	X	X	
Entry Self Refresh	Idle	H	L	L	L	L	H	X	X	X	X	
Exit Self Refresh	Idle (Self-Refresh)	L	H	H	X	X	X	X	X	X	X	
				L	H	H	H					
Single Bank Precharge	See Current State Table	H	X	L	L	H	L	X	BS	L	X	2
Precharge all Banks	See Current State Table	H	X	L	L	H	L	X	X	H	X	
Bank Activate	Idle	H	X	L	L	H	H	X	BS	Row Address		2
Write	Active	H	X	L	H	L	L	X	BS	L	Column	2
Write with Auto Precharge	Active	H	X	L	H	L	L	X	BS	H	Column	2
Read	Active	H	X	L	H	L	H	X	BS	L	Column	2
Read with Auto Precharge	Active	H	X	L	H	L	H	X	BS	H	Column	2
No Operation	Any	H	X	L	H	H	H	X	X	X	X	
Device Deselect	Any	H	X	H	X	X	X	X	X	X	X	
Clock Suspend Mode Entry	Active	H	L	X	X	X	X	X	X	X	X	3
Clock Suspend Mode Exit	Active	L	H	X	X	X	X	X	X	X	X	
Data Write/Output Enable	Active	H	X	X	X	X	X	L	X	X	X	4
Data Mask/Output Disable	Active	H	X	X	X	X	X	H	X	X	X	
Power Down Mode Entry	Idle/Active	H	L	H	X	X	X	X	X	X	X	5, 6
				L	H	H	H					
Power Down Mode Exit	Any (Power Down)	L	H	H	X	X	X	X	X	X	X	5, 6
				L	H	H	H					

1. All of the SDRAM operations are defined by states of \overline{CS} , \overline{WE} , \overline{RAS} , \overline{CAS} , and DQM at the positive rising edge of the clock. Operation of both decks of a stacked device at the same time is allowed, depending on the operation being performed on the other deck. Refer to the Current State Truth Table.
2. Bank Select (BS0, BS1): BS0, BS1 = 0,0 selects bank 0; BS0, BS1 = 1,0 selects bank 1; BS0, BS1 = 0,1 selects bank 2; BS0, BS1 = 1,1 selects bank 3.
3. During normal access mode, CKE is held high and CLK is enabled. When it is low, it freezes the internal clock and extends data Read and Write operations. One clock delay is required for mode entry and exit.
4. The DQM has two functions for the data DQ Read and Write operations. During a Read cycle, when DQM goes high at a clock timing the data outputs are disabled and become high impedance after a two clock delay. DQM also provides a Data Mask function for Write cycles. When it activates, the Write operation at the clock is prohibited (zero clock latency).
5. All banks must be precharged before entering the Power Down Mode. (If this command is issued during a Burst operation, the device state will be Clock Suspend mode.) The Power Down Mode does not perform any refresh operations; therefore the device can't remain in this mode longer than the Refresh period (t_{REF}) of the device. One clock delay is required for mode entry and exit.
6. A No Operation or Device Deselect command is required on the next clock edge following CKE going high.



Clock Enable (CKE) Truth Table

Current State	CKE		Command						Action	Notes
	Previous Cycle	Current Cycle	\overline{CS}	\overline{RAS}	\overline{CAS}	\overline{WE}	BS0,BS1	A12 - A0		
Self Refresh	H	X	X	X	X	X	X	X	INVALID	1
	L	H	H	X	X	X	X	X	Exit Self Refresh with Device Deselect	2
	L	H	L	H	H	H	X	X	Exit Self Refresh with No Operation	2
	L	H	L	H	H	L	X	X	ILLEGAL	2
	L	H	L	H	L	X	X	X	ILLEGAL	2
	L	H	L	L	X	X	X	X	ILLEGAL	2
	L	L	X	X	X	X	X	X	Maintain Self Refresh	
Power Down	H	X	X	X	X	X	X	X	INVALID	1
	L	H	H	X	X	X	X	X	Power Down mode exit, all banks idle	2
	L	H	L	X	X	X	X	X	ILLEGAL	2
	L	L	X	X	X	X	X	X	Maintain Power Down Mode	
All Banks Idle	H	H	H	X	X	X			Refer to the Idle State section of the Current State Truth Table	3
	H	H	L	H	X	X				3
	H	H	L	L	H	X				3
	H	H	L	L	L	H	X	X	CBR Refresh	
	H	H	L	L	L	L	OP Code		Mode Register Set	4
	H	L	H	X	X	X			Refer to the Idle State section of the Current State Truth Table	3
	H	L	L	H	X	X				3
	H	L	L	L	H	X				3
	H	L	L	L	L	H	X	X	Entry Self Refresh	4
	H	L	L	L	L	L	OP Code		Mode Register Set	
L	X	X	X	X	X	X	X	Power Down	4	
Any State other than listed above	H	H	X	X	X	X	X	X	Refer to operations in the Current State Truth Table	
	H	L	X	X	X	X	X	X	Begin Clock Suspend next cycle	5
	L	H	X	X	X	X	X	X	Exit Clock Suspend next cycle	
	L	L	X	X	X	X	X	X	Maintain Clock Suspend	

1. For the given Current State CKE must be low in the previous cycle.
2. When CKE has a low to high transition, the clock and other inputs are re-enabled asynchronously. The minimum setup time for CKE (t_{CES}) must be satisfied before any command other than Exit is issued. When exiting Power Down mode, a NOP command (or Device Deselect command) is required on the first rising clock after CKE goes high (see page 27).
3. The address inputs (A12 - A0, BS0, BS1) depend on the command that is issued. See the Idle State section of the Current State Truth Table for more information.
4. The Power Down Mode, Self Refresh Mode, and the Mode Register Set can only be entered from the all banks idle state.
5. Must be a legal command as defined in the Current State Truth Table.

Current State Truth Table (Part 1 of 4) (See note 1)

Current State	Command						Description	Action	Notes
	CS	RAS	CAS	WE	BS0,BS1	A12 - A0			
Idle	L	L	L	L	OP Code		Mode Register Set	Set the Mode Register	2
	L	L	L	H	X	X	Auto or Self Refresh	Start Auto or Self Refresh	2, 3
	L	L	H	L	BS	X	Precharge	No Operation	
	L	L	H	H	BS	Row Address	Bank Activate	Activate the specified bank and row	
	L	H	L	L	BS	Column	Write w/o Precharge	ILLEGAL	4
	L	H	L	H	BS	Column	Read w/o Precharge	ILLEGAL	4
	L	H	H	H	X	X	No Operation	No Operation	
	H	X	X	X	X	X	Device Deselect	No Operation or Power Down	5
Row Active	L	L	L	L	OP Code		Mode Register Set	ILLEGAL	
	L	L	L	H	X	X	Auto or Self Refresh	ILLEGAL	
	L	L	H	L	BS	X	Precharge	Precharge	6
	L	L	H	H	BS	Row Address	Bank Activate	ILLEGAL	4
	L	H	L	L	BS	Column	Write	Start Write; Determine if Auto Precharge	7, 8
	L	H	L	H	BS	Column	Read	Start Read; Determine if Auto Precharge	7, 8
	L	H	H	H	X	X	No Operation	No Operation	
	H	X	X	X	X	X	Device Deselect	No Operation	
Read	L	L	L	L	OP Code		Mode Register Set	ILLEGAL	
	L	L	L	H	X	X	Auto or Self Refresh	ILLEGAL	
	L	L	H	L	BS	X	Precharge	Terminate Burst; Start the Precharge	
	L	L	H	H	BS	Row Address	Bank Activate	ILLEGAL	4
	L	H	L	L	BS	Column	Write	Terminate Burst; Start the Write cycle	8, 9
	L	H	L	H	BS	Column	Read	Terminate Burst; Start a new Read cycle	8, 9
	L	H	H	H	X	X	No Operation	Continue the Burst	
	H	X	X	X	X	X	Device Deselect	Continue the Burst	

1. CKE is assumed to be active (high) in the previous cycle for all entries. The Current State is the state of the bank that the command is being applied to.
2. All Banks must be idle; otherwise, it is an illegal action.
3. If CKE is active (high) the SDRAM will start the Auto (CBR) Refresh operation; if CKE is inactive (low) the Self Refresh mode is entered.
4. The Current State refers to only one of the banks. If BS selects this bank then the action is illegal. If BS selects the bank not being referenced by the Current State then the action may be legal depending on the state of that bank.
5. If CKE is inactive (low) then the Power Down mode is entered; otherwise there is a No Operation.
6. The minimum and maximum Active time (t_{RAS}) must be satisfied.
7. The RAS to CAS delay (t_{RCD}) must occur before the command is given.
8. Column address A10 is used to determine if the Auto Precharge function is activated.
9. The command must satisfy any bus contention, bus turn around, and/or write recovery requirements.
10. The command is illegal if the minimum bank to bank delay time (t_{RRD}) is not satisfied.



Current State Truth Table (Part 2 of 4) (See note 1)

Current State	Command						Description	Action	Notes
	CS	RAS	CAS	WE	BS0,BS1	A12 - A0			
Write	L	L	L	L	OP Code		Mode Register Set	ILLEGAL	
	L	L	L	H	X	X	Auto or Self Refresh	ILLEGAL	
	L	L	H	L	BS	X	Precharge	Terminate Burst; Start the Precharge	
	L	L	H	H	BS	Row Address	Bank Activate	ILLEGAL	4
	L	H	L	L	BS	Column	Write	Terminate Burst; Start a new Write cycle	8, 9
	L	H	L	H	BS	Column	Read	Terminate Burst; Start the Read cycle	8, 9
	L	H	H	H	X	X	No Operation	Continue the Burst	
	H	X	X	X	X	X	Device Deselect	Continue the Burst	
Read with Auto Pre-charge	L	L	L	L	OP Code		Mode Register Set	ILLEGAL	
	L	L	L	H	X	X	Auto or Self Refresh	ILLEGAL	
	L	L	H	L	BS	X	Precharge	ILLEGAL	4
	L	L	H	H	BS	Row Address	Bank Activate	ILLEGAL	4
	L	H	L	L	BS	Column	Write	ILLEGAL	4
	L	H	L	H	BS	Column	Read	ILLEGAL	4
	L	H	H	H	X	X	No Operation	Continue the Burst	
	H	X	X	X	X	X	Device Deselect	Continue the Burst	
Write with Auto Pre-charge	L	L	L	L	OP Code		Mode Register Set	ILLEGAL	
	L	L	L	H	X	X	Auto or Self Refresh	ILLEGAL	
	L	L	H	L	BS	X	Precharge	ILLEGAL	4
	L	L	H	H	BS	Row Address	Bank Activate	ILLEGAL	4
	L	H	L	L	BS	Column	Write	ILLEGAL	4
	L	H	L	H	BS	Column	Read	ILLEGAL	4
	L	H	H	H	X	X	No Operation	Continue the Burst	
	H	X	X	X	X	X	Device Deselect	Continue the Burst	

1. CKE is assumed to be active (high) in the previous cycle for all entries. The Current State is the state of the bank that the command is being applied to.
2. All Banks must be idle; otherwise, it is an illegal action.
3. If CKE is active (high) the SDRAM will start the Auto (CBR) Refresh operation; if CKE is inactive (low) the Self Refresh mode is entered.
4. The Current State refers to only one of the banks. If BS selects this bank then the action is illegal. If BS selects the bank not being referenced by the Current State then the action may be legal depending on the state of that bank.
5. If CKE is inactive (low) then the Power Down mode is entered; otherwise there is a No Operation.
6. The minimum and maximum Active time (t_{RAS}) must be satisfied.
7. The RAS to CAS delay (t_{RCD}) must occur before the command is given.
8. Column address A10 is used to determine if the Auto Precharge function is activated.
9. The command must satisfy any bus contention, bus turn around, and/or write recovery requirements.
10. The command is illegal if the minimum bank to bank delay time (t_{RRD}) is not satisfied.



Current State Truth Table (Part 3 of 4) (See note 1)

Current State	Command						Description	Action	Notes
	CS	RAS	CAS	WE	BS0,BS1	A12 - A0			
Precharging	L	L	L	L	OP Code		Mode Register Set	ILLEGAL	
	L	L	L	H	X	X	Auto or Self Refresh	ILLEGAL	
	L	L	H	L	BS	X	Precharge	No Operation; Bank(s) idle after t_{RP}	
	L	L	H	H	BS	Row Address	Bank Activate	ILLEGAL	4
	L	H	L	L	BS	Column	Write	ILLEGAL	4
	L	H	L	H	BS	Column	Read	ILLEGAL	4
	L	H	H	H	X	X	No Operation	No Operation; Bank(s) idle after t_{RP}	
	H	X	X	X	X	X	Device Deselect	No Operation; Bank(s) idle after t_{RP}	
Row Activating	L	L	L	L	OP Code		Mode Register Set	ILLEGAL	
	L	L	L	H	X	X	Auto or Self Refresh	ILLEGAL	
	L	L	H	L	BS	X	Precharge	ILLEGAL	4
	L	L	H	H	BS	Row Address	Bank Activate	ILLEGAL	4, 10
	L	H	L	L	BS	Column	Write	ILLEGAL	4
	L	H	L	H	BS	Column	Read	ILLEGAL	4
	L	H	H	H	X	X	No Operation	No Operation; Row Active after t_{RCD}	
	H	X	X	X	X	X	Device Deselect	No Operation; Row Active after t_{RCD}	
Write Recovering	L	L	L	L	OP Code		Mode Register Set	ILLEGAL	
	L	L	L	H	X	X	Auto or Self Refresh	ILLEGAL	
	L	L	H	L	BS	X	Precharge	ILLEGAL	4
	L	L	H	H	BS	Row Address	Bank Activate	ILLEGAL	4
	L	H	L	L	BS	Column	Write	Start Write; Determine if Auto Precharge	9
	L	H	L	H	BS	Column	Read	Start Read; Determine if Auto Precharge	9
	L	H	H	H	X	X	No Operation	No Operation; Row Active after t_{DPL}	
	H	X	X	X	X	X	Device Deselect	No Operation; Row Active after t_{DPL}	

1. CKE is assumed to be active (high) in the previous cycle for all entries. The Current State is the state of the bank that the command is being applied to.
2. All Banks must be idle; otherwise, it is an illegal action.
3. If CKE is active (high) the SDRAM will start the Auto (CBR) Refresh operation; if CKE is inactive (low) the Self Refresh mode is entered.
4. The Current State refers to only one of the banks. If BS selects this bank then the action is illegal. If BS selects the bank not being referenced by the Current State then the action may be legal depending on the state of that bank.
5. If CKE is inactive (low) then the Power Down mode is entered; otherwise there is a No Operation.
6. The minimum and maximum Active time (t_{RAS}) must be satisfied.
7. The RAS to CAS delay (t_{RCD}) must occur before the command is given.
8. Column address A10 is used to determine if the Auto Precharge function is activated.
9. The command must satisfy any bus contention, bus turn around, and/or write recovery requirements.
10. The command is illegal if the minimum bank to bank delay time (t_{RRD}) is not satisfied.



Current State Truth Table (Part 4 of 4) (See note 1)

Current State	Command						Description	Action	Notes
	CS	RAS	CAS	WE	BS0,BS1	A12 - A0			
Write Recovering with Auto Precharge	L	L	L	L	OP Code		Mode Register Set	ILLEGAL	
	L	L	L	H	X	X	Auto or Self Refresh	ILLEGAL	
	L	L	H	L	BS	X	Precharge	ILLEGAL	4
	L	L	H	H	BS	Row Address	Bank Activate	ILLEGAL	4
	L	H	L	L	BS	Column	Write	ILLEGAL	4, 9
	L	H	L	H	BS	Column	Read	ILLEGAL	4, 9
	L	H	H	H	X	X	No Operation	No Operation; Precharge after t _{DPL}	
	H	X	X	X	X	X	Device Deselect	No Operation; Precharge after t _{DPL}	
Refreshing	L	L	L	L	OP Code		Mode Register Set	ILLEGAL	
	L	L	L	H	X	X	Auto or Self Refresh	ILLEGAL	
	L	L	H	L	BS	X	Precharge	ILLEGAL	
	L	L	H	H	BS	Row Address	Bank Activate	ILLEGAL	
	L	H	L	L	BS	Column	Write	ILLEGAL	
	L	H	L	H	BS	Column	Read	ILLEGAL	
	L	H	H	H	X	X	No Operation	No Operation; Idle after t _{RC}	
	H	X	X	X	X	X	Device Deselect	No Operation; Idle after t _{RC}	
Mode Register Accessing	L	L	L	L	OP Code		Mode Register Set	ILLEGAL	
	L	L	L	H	X	X	Auto or Self Refresh	ILLEGAL	
	L	L	H	L	BS	X	Precharge	ILLEGAL	
	L	L	H	H	BS	Row Address	Bank Activate	ILLEGAL	
	L	H	L	L	BS	Column	Write	ILLEGAL	
	L	H	L	H	BS	Column	Read	ILLEGAL	
	L	H	H	H	X	X	No Operation	No Operation; Idle after two clock cycles	
	H	X	X	X	X	X	Device Deselect	No Operation; Idle after two clock cycles	

1. CKE is assumed to be active (high) in the previous cycle for all entries. The Current State is the state of the bank that the command is being applied to.
2. All Banks must be idle; otherwise, it is an illegal action.
3. If CKE is active (high) the SDRAM will start the Auto (CBR) Refresh operation; if CKE is inactive (low) the Self Refresh mode is entered.
4. The Current State refers to only one of the banks. If BS selects this bank then the action is illegal. If BS selects the bank not being referenced by the Current State then the action may be legal depending on the state of that bank.
5. If CKE is inactive (low) then the Power Down mode is entered; otherwise there is a No Operation.
6. The minimum and maximum Active time (t_{RAS}) must be satisfied.
7. The RAS to CAS delay (t_{RCD}) must occur before the command is given.
8. Column address A10 is used to determine if the Auto Precharge function is activated.
9. The command must satisfy any bus contention, bus turn around, and/or write recovery requirements.
10. The command is illegal if the minimum bank to bank delay time (t_{RPD}) is not satisfied.

Absolute Maximum Ratings

Symbol	Parameter	Rating	Units	Notes
VDD	Power Supply Voltage	-0.3 to +4.6	V	1
VDDQ	Power Supply Voltage for Output	-0.3 to +4.6	V	1
V _{IN}	Input Voltage	-0.3 to VDD+0.3	V	1
V _{OUT}	Output Voltage	-0.3 to VDD+0.3	V	1
T _A	Operating Temperature (ambient)	0 to +70	°C	1
T _{STG}	Storage Temperature	-55 to +125	°C	1
P _D	Power Dissipation	1.0	W	1
I _{OUT}	Short Circuit Output Current	50	mA	1

1. Stresses greater than those listed under “Absolute Maximum Ratings” may cause permanent damage to the device. This is a stress rating only and functional operation of the device at these or any other conditions above those indicated in the operational sections of this specification is not implied. Exposure to absolute maximum rating conditions for extended periods may affect reliability.

Recommended DC Operating Conditions (T_A = 0 to 70°C)

Symbol	Parameter	Rating			Units	Notes
		Min.	Typ.	Max.		
VDD	Supply Voltage	3.0	3.3	3.6	V	1
VDDQ	Supply Voltage for Output	3.0	3.3	3.6	V	1
V _{IH}	Input High Voltage	2.0	—	VDD + 0.3	V	1, 2
V _{IL}	Input Low Voltage	-0.3	—	0.8	V	1, 3

1. All voltages referenced to V_{SS} and VSSQ.
 2. V_{IH} (max) = VDD/VDDQ + 1.2V for pulse width ≤ 5ns.
 3. V_{IL} (min) = VSS/VSSQ - 1.2V for pulse width ≤ 5ns.

Capacitance (T_A = 25°C, f = 1MHz, V_{DD} = 3.3V ± 0.3V)

Symbol	Parameter	Min.	Typ.	Max.	Units	Notes
C _I	Input Capacitance (A0-A12, BS0, BS1, \overline{CS} , \overline{RAS} , \overline{CAS} , \overline{WE} , CKE, DQM)	2.5	3.4	3.8	pF	1
	Input Capacitance (CLK)	2.5	3.2	3.5	pF	1
C _O	Output Capacitance (DQ0 - DQ15)	4.0	4.8	6.5	pF	1

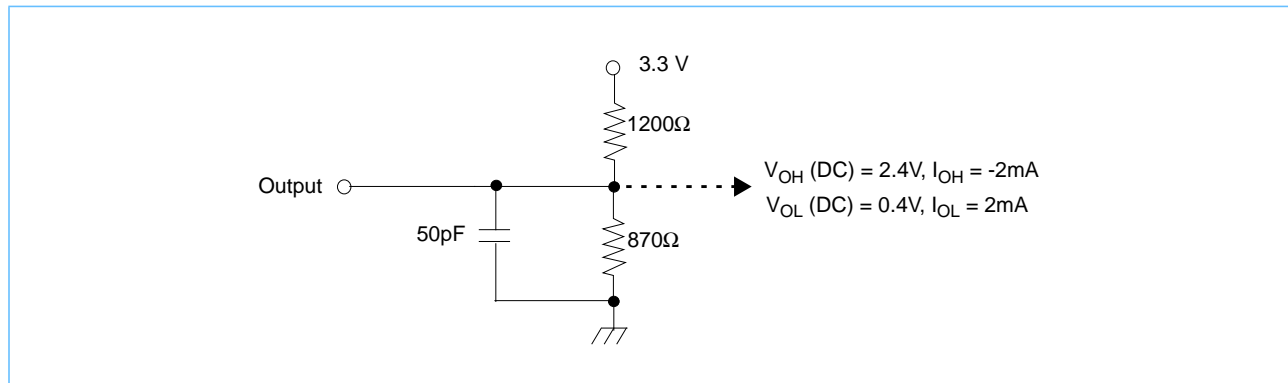
1. Multiply given planar values by 2 for 2-High stacked device (except \overline{CS} and CKE).

DC Electrical Characteristics ($T_A = 0$ to $+70^\circ\text{C}$, $V_{DD} = 3.3\text{V} \pm 0.3\text{V}$)

Symbol	Parameter	Min.	Max.	Units	Notes
$I_{I(L)}$	Input Leakage Current, any input ($0.0\text{V} \leq V_{IN} \leq V_{DD}$), All Other Pins Not Under Test = 0V	-1	+1	μA	1
$I_{O(L)}$	Output Leakage Current (D_{OUT} is disabled, $0.0\text{V} \leq V_{OUT} \leq V_{DDQ}$)	-1	+1	μA	1
V_{OH}	Output Level (LVTTL) Output "H" Level Voltage ($I_{OUT} = -2.0\text{mA}$)	2.4	—	V	
V_{OL}	Output Level (LVTTL) Output "L" Level Voltage ($I_{OUT} = +2.0\text{mA}$)	—	0.4	V	

1. Multiply given planar values by 2 for 2-High stacked device.

DC Output Load Circuit



Operating, Standby and Refresh Currents ($T_A = 0$ to $+70^\circ\text{C}$, $V_{DD} = 3.3\text{V} \pm 0.3\text{V}$)

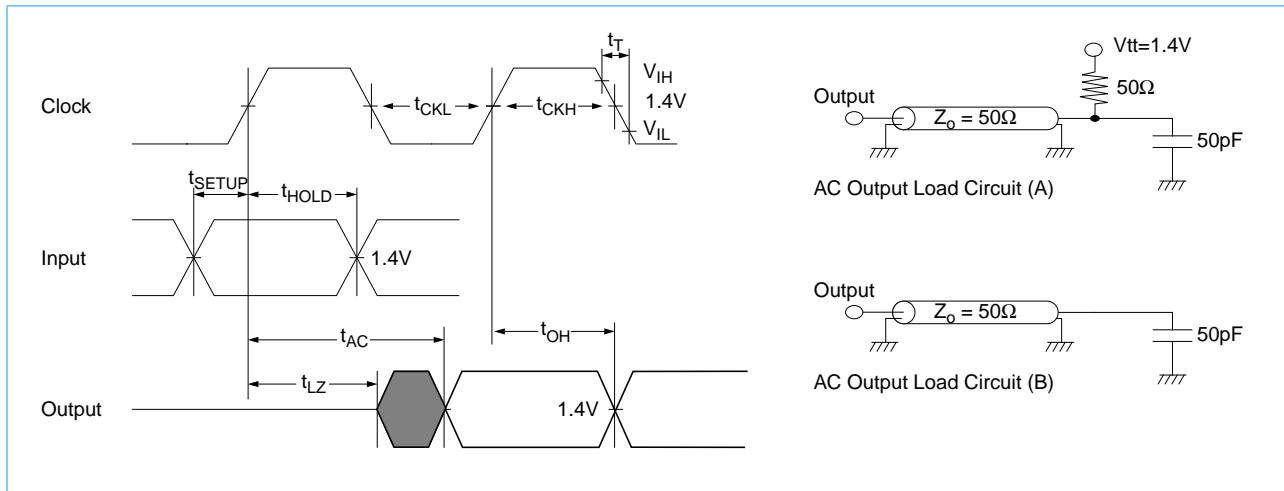
Parameter	Symbol	Test Condition	Speed				Units	Notes
			-75A	-260	-360	-10		
Operating Current	I_{CC1}	1 bank operation, $t_{RC} = t_{RC}(\text{min})$, $t_{CK} = \text{min}$, Active Precharge Command cycling without Burst operation	120	115	115	90	mA	1, 2, 3
Precharge Standby Current in Power Down Mode	I_{CC2P}	$\text{CKE} \leq V_{IL}(\text{max})$, $t_{CK} = \text{min}$, $\overline{\text{CS}} = V_{IH}(\text{min})$	2	2	2	2	mA	1
	I_{CC2PS}	$\text{CKE} \leq V_{IL}(\text{max})$, $t_{CK} = \text{Infinity}$, $\overline{\text{CS}} = V_{IH}(\text{min})$	2	2	2	2	mA	1
Precharge Standby Current in Non-Power Down Mode	I_{CC2N}	$\text{CKE} \geq V_{IH}(\text{min})$, $t_{CK} = \text{min}$, $\overline{\text{CS}} = V_{IH}(\text{min})$	30	20	20	20	mA	1, 4
	I_{CC2NS}	$\text{CKE} \geq V_{IH}(\text{min})$, $t_{CK} = \text{Infinity}$	6	6	6	6	mA	1, 7
No Operating Current (Active state: 4 bank)	I_{CC3N}	$\text{CKE} \geq V_{IH}(\text{min})$, $t_{CK} = \text{min}$, $\overline{\text{CS}} = V_{IH}(\text{min})$	60	45	45	55	mA	1, 5
	I_{CC3P}	$\text{CKE} \leq V_{IL}(\text{max})$, $t_{CK} = \text{min}$	6	6	6	6	mA	1, 6
Operating Current (Burst Mode)	I_{CC4}	$t_{CK} = \text{min}$, Read/ Write Command cycling, Multiple banks active, gapless data, BL=4	155	115	115	115	mA	1, 3, 4
Auto (CBR) Refresh Current	I_{CC5}	$t_{CK} = \text{min}$, $t_{RC} = t_{RC}(\text{min})$ CBR Command cycling	175	170	170	130	mA	1
Self Refresh Current	I_{CC6}	$\text{CKE} \leq 0.2\text{V}$	3	3	3	3	mA	1

1. Currents given are valid for a single device. The total current for a stacked device depends on the operation being performed on the other deck.
2. These parameters depend on the cycle rate and are measured with the cycle determined by the minimum value of t_{CK} and t_{RC} . Input signals are changed up to three times during $t_{RC}(\text{min})$.
3. The specified values are obtained with the output open.
4. Input signals are changed once during $t_{CK}(\text{min})$.
5. Input signals are changed once during three clock cycles.
6. Active Standby Current will be higher if Clock Suspend is entered during a Burst Read cycle (add 1mA per DQ).
7. Input signals are stable.

AC Characteristics $(T_A = 0 \text{ to } +70^\circ\text{C}, V_{DD} = 3.3\text{V} \pm 0.3\text{V})$

1. An initial pause of 200 μs , with DQM and CKE held high, is required after Power Up. A Precharge All Banks command must be given followed by a minimum of two Auto (CBR) Refresh cycles before or after the Mode Register Set operation.
2. The Transition time is measured between V_{IH} and V_{IL} (or between V_{IL} and V_{IH}).
3. In addition to meeting the transition rate specification, the clock and CKE must transit between V_{IH} and V_{IL} (or between V_{IL} and V_{IH}) in a monotonic manner.
4. Load Circuit A: AC timing tests have $V_{IL} = 0.4 \text{ V}$ and $V_{IH} = 2.4 \text{ V}$ with the timing referenced to the 1.40V crossover point
5. Load Circuit A: AC measurements assume $t_T = 1.0 \text{ ns}$.
6. Load Circuit B: AC timing tests have $V_{IL} = 0.8 \text{ V}$ and $V_{IH} = 2.0 \text{ V}$ with the timing referenced to the 1.40V crossover point
7. Load Circuit B: AC measurements assume $t_T = 1.2 \text{ ns}$.

AC Diagrams



Clock and Clock Enable Parameters

Symbol	Parameter	-75A		-260		-360		-10		Units	Notes
		Min.	Max.	Min.	Max.	Min.	Max.	Min.	Max.		
t_{CK3}	Clock Cycle Time, $\overline{\text{CAS}}$ Latency = 3	7.5	1000	10	1000	10	1000	10	1000	ns	
t_{CK2}	Clock Cycle Time, $\overline{\text{CAS}}$ Latency = 2	—	—	10	1000	15	1000	14	1000	ns	
$t_{AC3(A)}$	Clock Access Time, $\overline{\text{CAS}}$ Latency = 3	—	—	—	—	—	—	—	7	ns	1
$t_{AC2(A)}$	Clock Access Time, $\overline{\text{CAS}}$ Latency = 2	—	—	—	—	—	—	—	8	ns	1
$t_{AC3(B)}$	Clock Access Time, $\overline{\text{CAS}}$ Latency = 3	—	5.4	—	6	—	6	—	9	ns	2
$t_{AC2(B)}$	Clock Access Time, $\overline{\text{CAS}}$ Latency = 2	—	—	—	6	—	9	—	9	ns	2
t_{CKH}	Clock High Pulse Width	2.5	—	3	—	3	—	3	—	ns	
t_{CKL}	Clock Low Pulse Width	2.5	—	3	—	3	—	3	—	ns	
t_{CES}	Clock Enable Setup Time	1.5	—	2	—	2	—	3	—	ns	
t_{CEH}	Clock Enable Hold Time	0.8	—	1	—	1	—	1	—	ns	
t_{SB}	Power Down mode Entry Time	0	7.5	0	10	0	10	0	10	ns	
t_T	Transition Time (Rise and Fall)	0.5	10	0.5	10	0.5	10	0.5	10	ns	

1. Access time is measured at 1.4V. See AC Characteristics: notes: 1, 2, 3, 4, 5 and load circuit A.
2. Access time is measured at 1.4V. See AC Characteristics: notes: 1, 2, 3, 6, 7 and load circuit B.

Common Parameters

Symbol	Parameter	-75A		-260		-360		-10		Units	Notes
		Min.	Max.	Min.	Max.	Min.	Max.	Min.	Max.		
t _{CS}	Command Setup Time	1.5	—	2	—	2	—	3	—	ns	
t _{CH}	Command Hold Time	0.8	—	1	—	1	—	1	—	ns	
t _{AS}	Address and Bank Select Setup Time	1.5	—	2	—	2	—	3	—	ns	
t _{AH}	Address and Bank Select Hold Time	0.8	—	1	—	1	—	1	—	ns	
t _{RCD}	$\overline{\text{RAS}}$ to $\overline{\text{CAS}}$ Delay	20	—	20	—	20	—	28	—	ns	1
t _{RC}	Bank Cycle Time	67.5	—	70	—	70	—	84	—	ns	1
t _{RAS}	Active Command Period	45	100000	50	100000	50	100000	56	100000	ns	1
t _{RP}	Precharge Time	20	—	20	—	20	—	14	—	ns	1
t _{RRD}	Bank to Bank Delay Time	15	—	20	—	20	—	20	—	ns	1
t _{CCD}	$\overline{\text{CAS}}$ to $\overline{\text{CAS}}$ Delay Time	1	—	1	—	1	—	1	—	CLK	

1. These parameters account for the number of clock cycle and depend on the operating frequency of the clock, as follows:
 the number of clock cycles = specified value of timing / clock period (count fractions as a whole number).

Mode Register Set Cycle

Symbol	Parameter	-75A		-260		-360		-10		Units	Notes
		Min.	Max.	Min.	Max.	Min.	Max.	Min.	Max.		
t _{RSC}	Mode Register Set Cycle Time	2	—	2	—	2	—	2	—	CLK	1

1. These parameters account for the number of clock cycle and depend on the operating frequency of the clock, as follows:
 the number of clock cycles = specified value of timing / clock period (count fractions as a whole number).

Read Cycle

Symbol	Parameter	-75A		-260		-360		-10		Units	Notes
		Min.	Max.	Min.	Max.	Min.	Max.	Min.	Max.		
t _{OH}	Data Out Hold Time	—	—	2.5	—	2.5	—	3	—	ns	1
		2.7	—	3	—	3	—	3	—	ns	2, 4
t _{LZ}	Data Out to Low Impedance Time	0	—	0	—	0	—	0	—	ns	
t _{HZ3}	Data Out to High Impedance Time	3	5.4	3	6	3	6	3	7	ns	3
t _{HZ2}	Data Out to High Impedance Time	—	—	3	6	3	8	3	8	ns	3
t _{DQZ}	DQM Data Out Disable Latency	2	—	2	—	2	—	2	—	CLK	

1. AC Output Load Circuit A.
 2. AC Output Load Circuit B.
 3. Referenced to the time at which the output achieves the open circuit condition, not to output voltage levels.
 4. Data Out Hold Time with no load must meet 1.8ns (-75A).



Refresh Cycle

Symbol	Parameter	-75A		-260		-360		-10		Units	Notes
		Min.	Max.	Min.	Max.	Min.	Max.	Min.	Max.		
t _{REF}	Refresh Period	—	64	—	64	—	64	—	64	ms	1
t _{SREX}	Self Refresh Exit Time	10	—	10	—	10	—	10	—	ns	

1. 8192 Auto Refresh cycles.

Write Cycle

Symbol	Parameter	-75A		-260		-360		-10		Units
		Min.	Max.	Min.	Max.	Min.	Max.	Min.	Max.	
t _{DS}	Data In Setup Time	1.5	—	2	—	2	—	3	—	ns
t _{DH}	Data In Hold Time	0.8	—	1	—	1	—	1	—	ns
t _{DPL}	Data Input to Precharge	15	—	20	—	20	—	20	—	ns
t _{DAL3}	Data Input to Active, CL = 3	5	—	5	—	5	—	5	—	CLK
t _{DAL2}	Data Input to Active, CL = 2	—	—	5	—	5	—	3	—	CLK
t _{DQW}	DQM Write Mask Latency	0	—	0	—	0	—	0	—	CLK

Clock Frequency and Latency

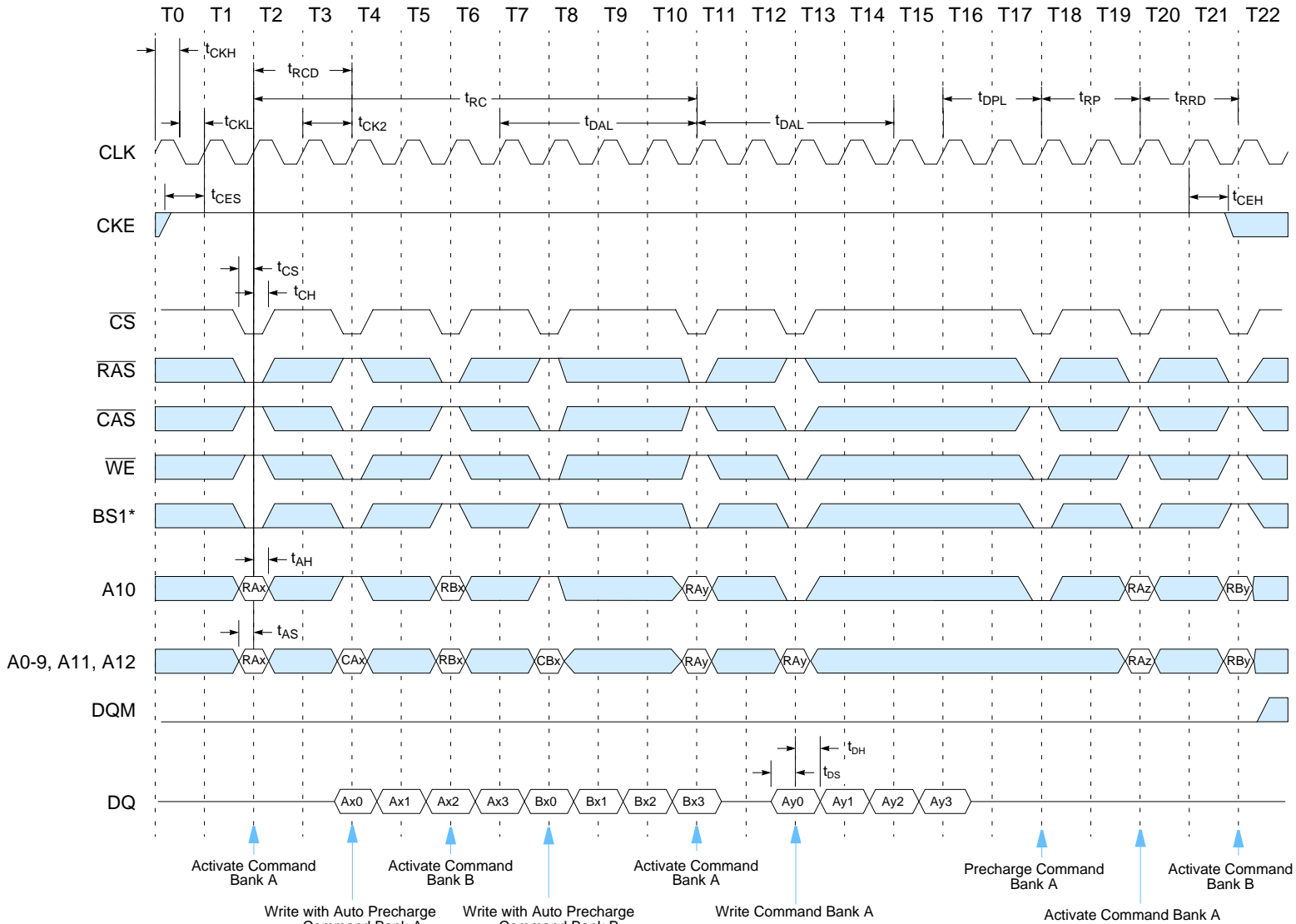
Symbol	Parameter	-75A	-260		-360		-10		Units
f _{CK}	Clock Frequency	133	100	100	100	66	100	71	MHz
t _{CK}	Clock Cycle Time	7.5	10	10	10	15	10	14	ns
t _{AA}	$\overline{\text{CAS}}$ Latency	3	3	2	3	2	3	2	CLK
t _{RP}	Precharge Time	3	2	2	2	2	3	1	CLK
t _{RCD}	$\overline{\text{RAS}}$ to $\overline{\text{CAS}}$ Delay	3	2	2	2	2	3	2	CLK
t _{RC}	Bank Cycle Time	9	7	7	7	6	9	5	CLK
t _{RAS}	Minimum Bank Active Time	6	5	5	5	4	6	4	CLK
t _{DPL}	Data In to Precharge	2	2	2	2	2	2	2	CLK
t _{DAL}	Data In to Active/Refresh	5	5	5	5	5	5	3	CLK
t _{RRD}	Bank to Bank Delay Time	2	2	2	2	2	2	2	CLK
t _{CCD}	$\overline{\text{CAS}}$ to $\overline{\text{CAS}}$ Delay Time	1	1	1	1	1	1	1	CLK
t _{WL}	Write Latency	0	0	0	0	0	0	0	CLK
t _{DQW}	DQM Write Mask Latency	0	0	0	0	0	0	0	CLK
t _{DQZ}	DQM Data Disable Latency	2	2	2	2	2	2	2	CLK
t _{CSL}	Clock Suspend Latency	1	1	1	1	1	1	1	CLK

Timing Diagrams	Page
AC Parameters for Write Timing	43
AC Parameters for Read Timing (3/3/3), BL=4	44
AC Parameters for Read Timing (2/2/2), BL=2	45
AC Parameters for Read Timing (3/2/2), BL=2	46
AC Parameters for Read Timing (3/3/3), BL=2	47
Mode Register Set	48
Power On Sequence and Auto Refresh (CBR)	49
Clock Suspension / DQM During a Burst Read	50
Clock Suspension / DQM During a Burst Write	51
Power Down Mode and Clock Suspend	52
Auto Refresh (CBR)	53
Self Refresh (Entry and Exit)	54
Random Row Read (Interleaving Banks) with Precharge, BL=8	55
Random Row Read (Interleaving Banks) with Auto Precharge, BL=8	56
Random Row Write (Interleaving Banks) with Auto Precharge, BL=8	57
Random Row Write (Interleaving Banks) with Precharge, BL=8	58
Read And Write Cycle	59
Interleaved Column Read Cycle	60
Auto Precharge after a Read Burst, BL=4	61
Auto Precharge after a Write Burst, BL=4	62
Burst Read and Single Write Operation	63
\overline{CS} Function (Only \overline{CS} signal needs to be asserted at minimum rate)	64



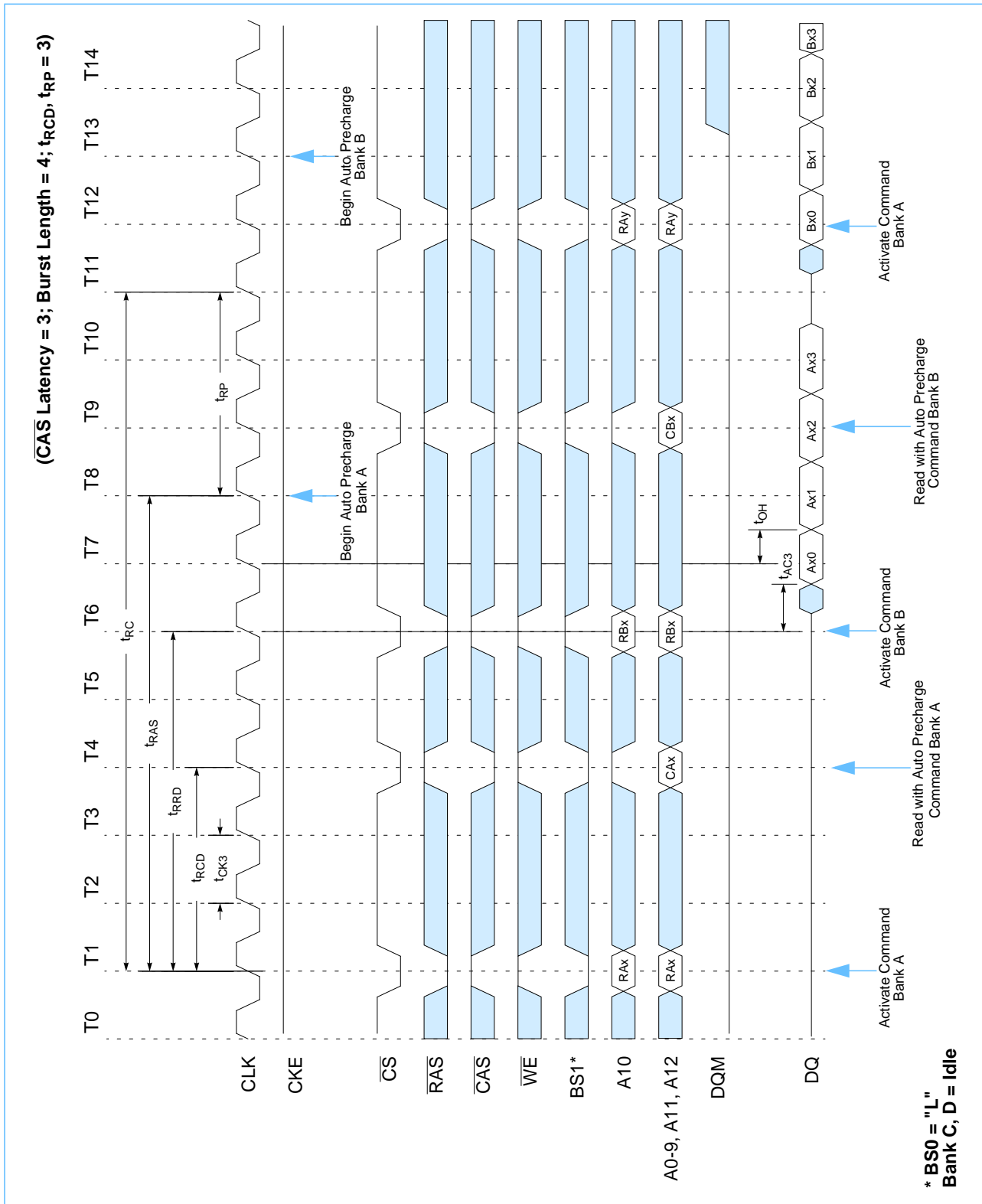
AC Parameters for Write Timing

(CAS Latency = 2; Burst Length = 4)



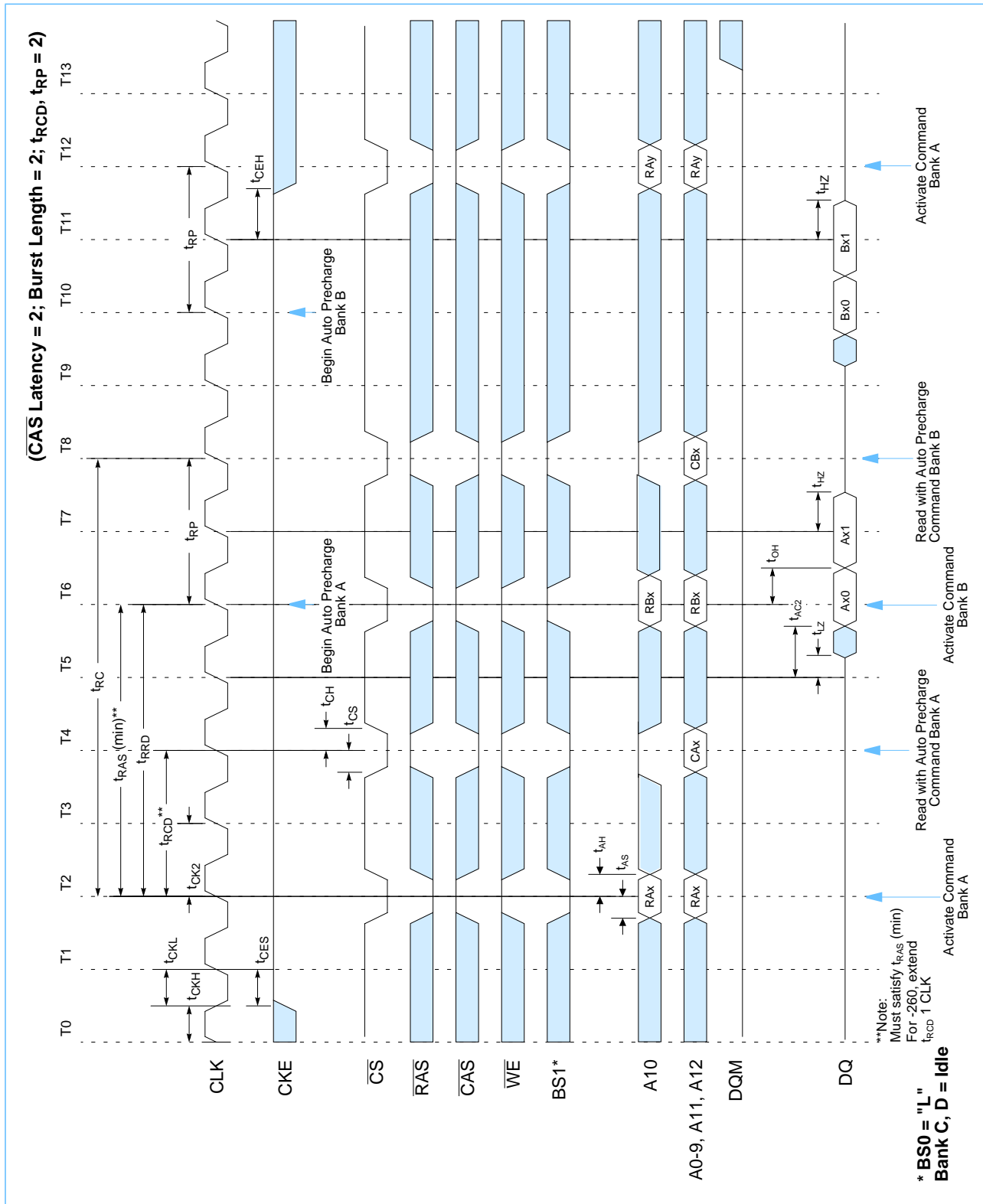
* BS0 = "L"
Bank C, D = Idle

AC Parameters for Read Timing (3/3/3)



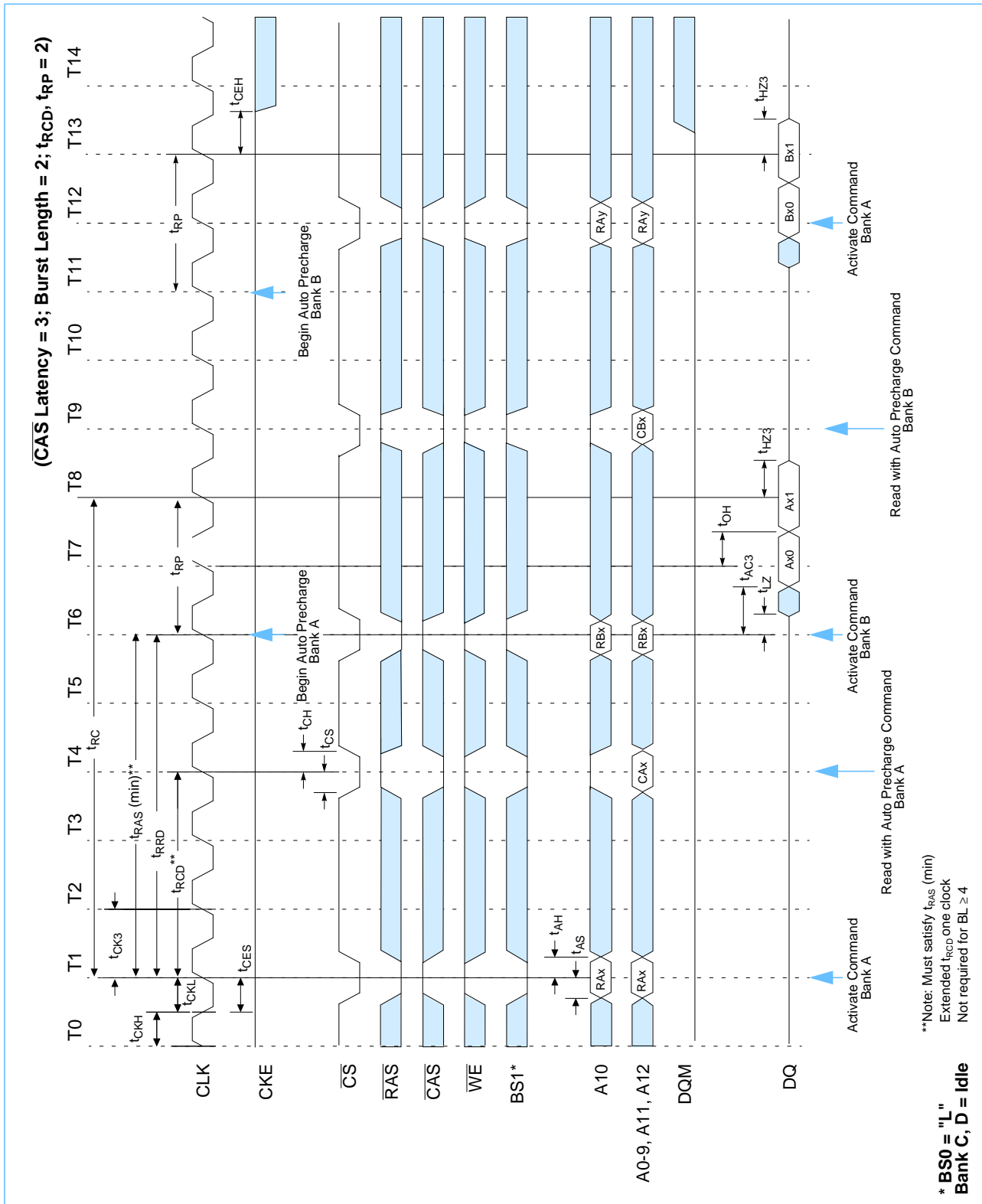


AC Parameters for Read Timing (2/2/2)



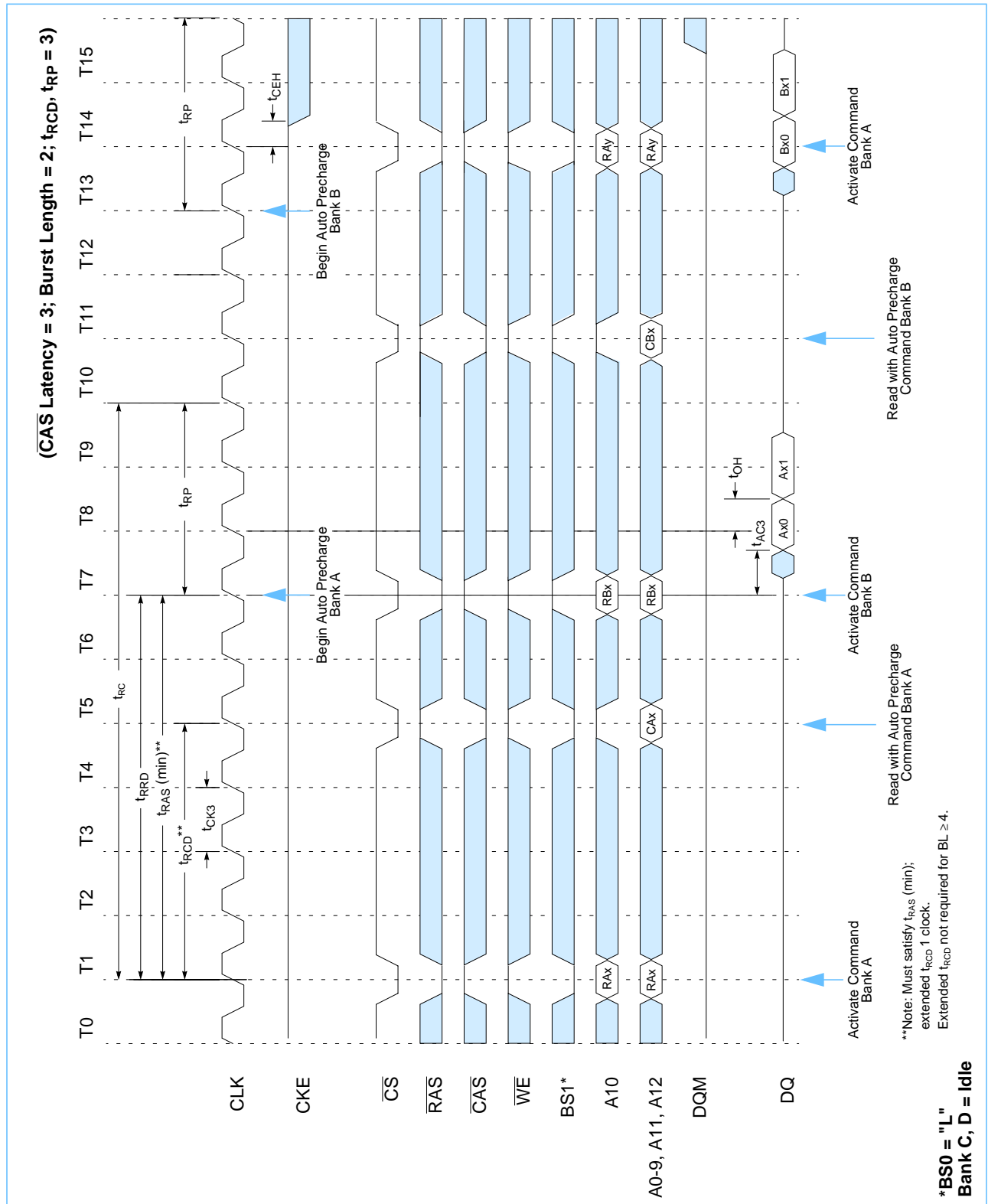


AC Parameters for Read Timing (3/2/2)



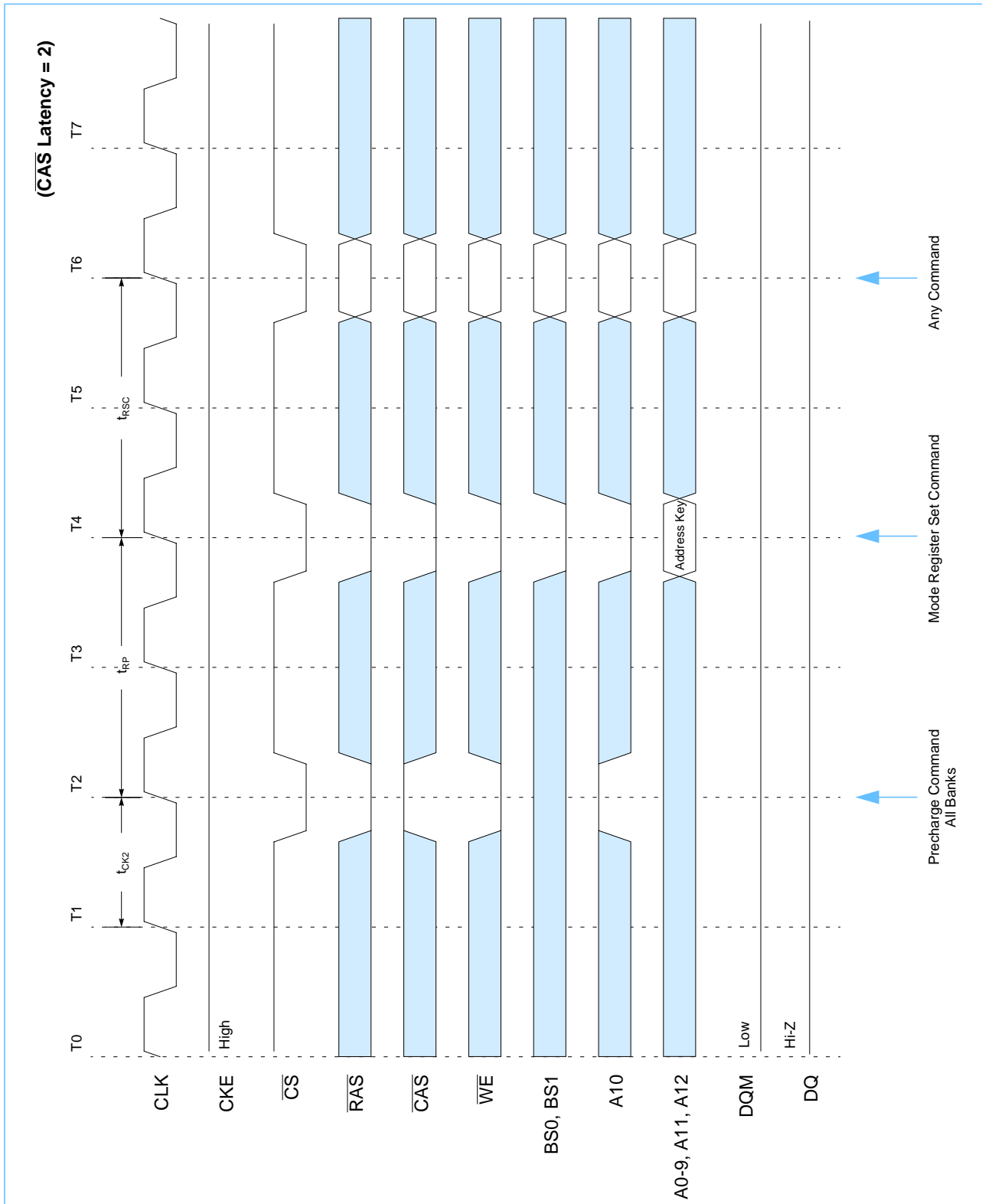


AC Parameters for Read Timing (3/3/3)



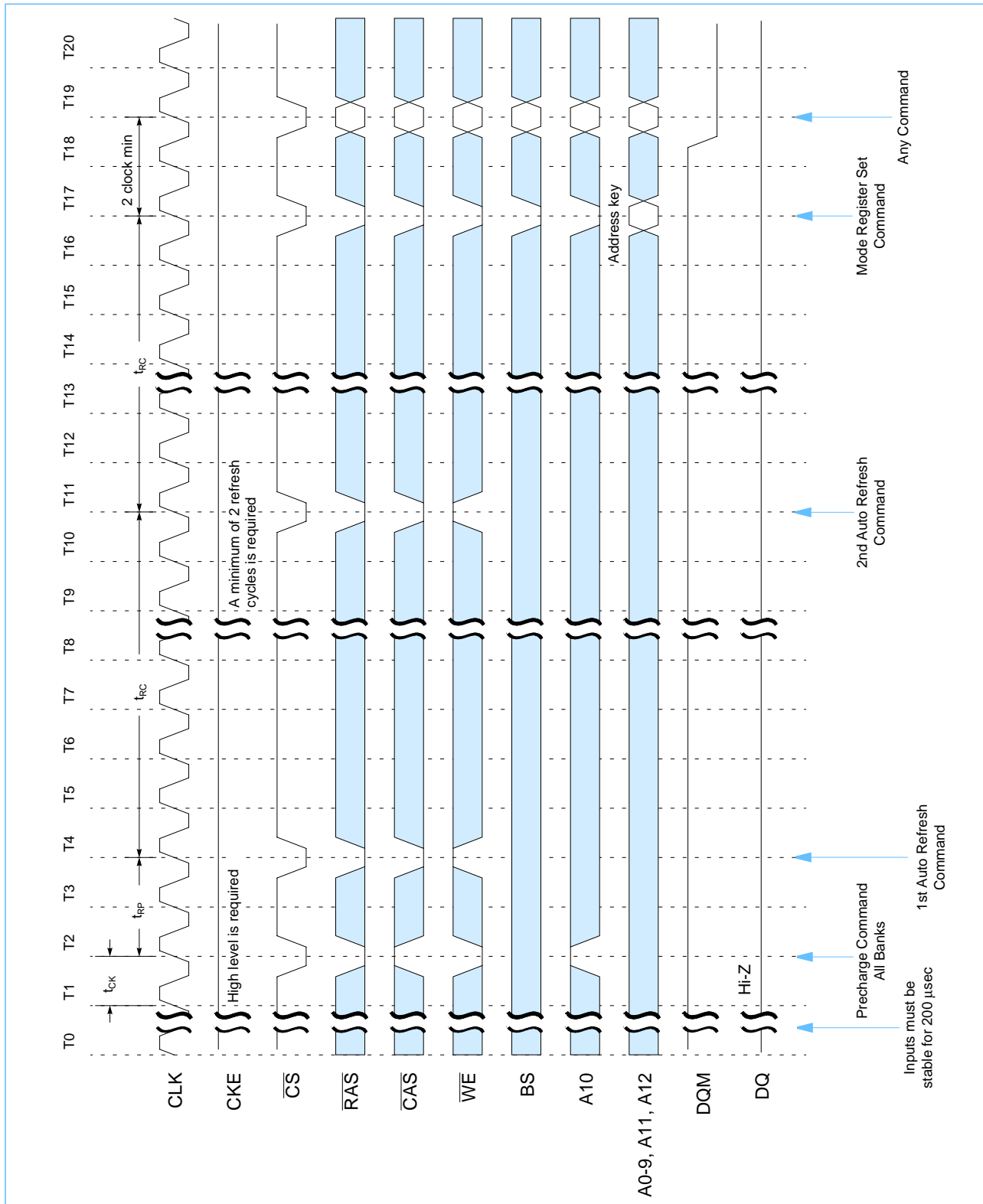


Mode Register Set



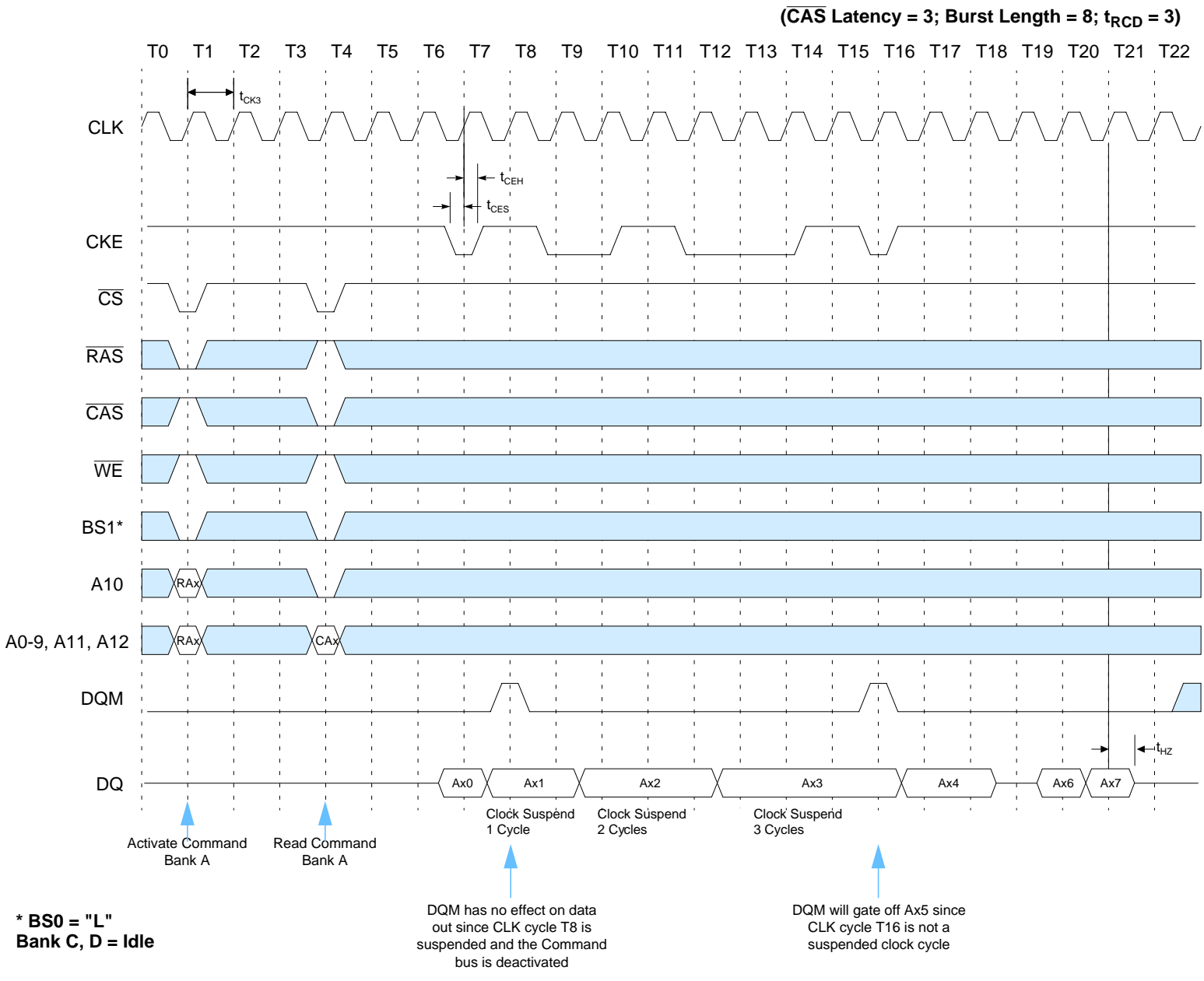


Power On Sequence and Auto Refresh (CBR)





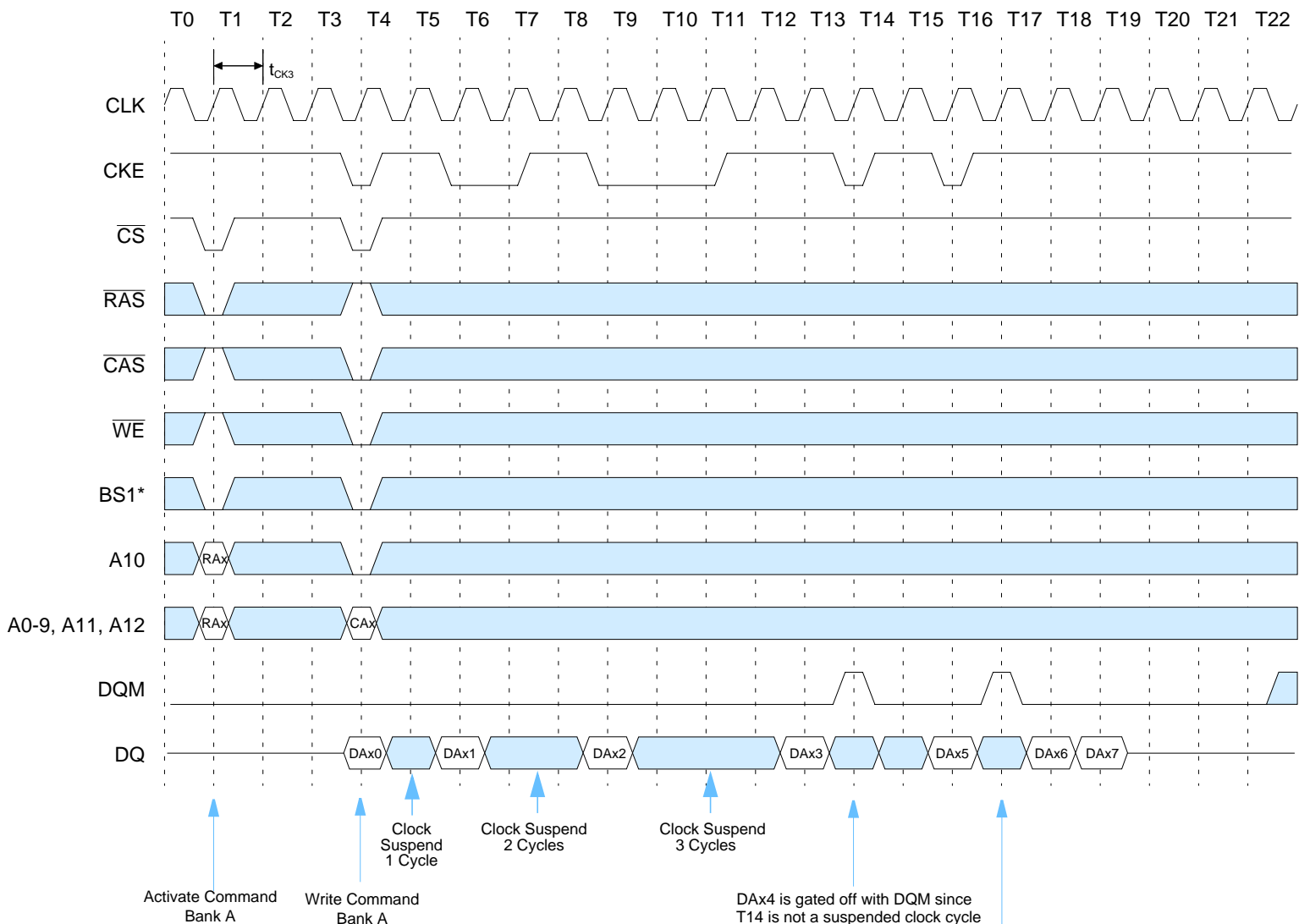
Clock Suspension, DQM during Burst Read





Clock Suspension, DQM during Burst Write

(CAS Latency = 3; Burst Length = 8; $t_{RCD} = 3$)



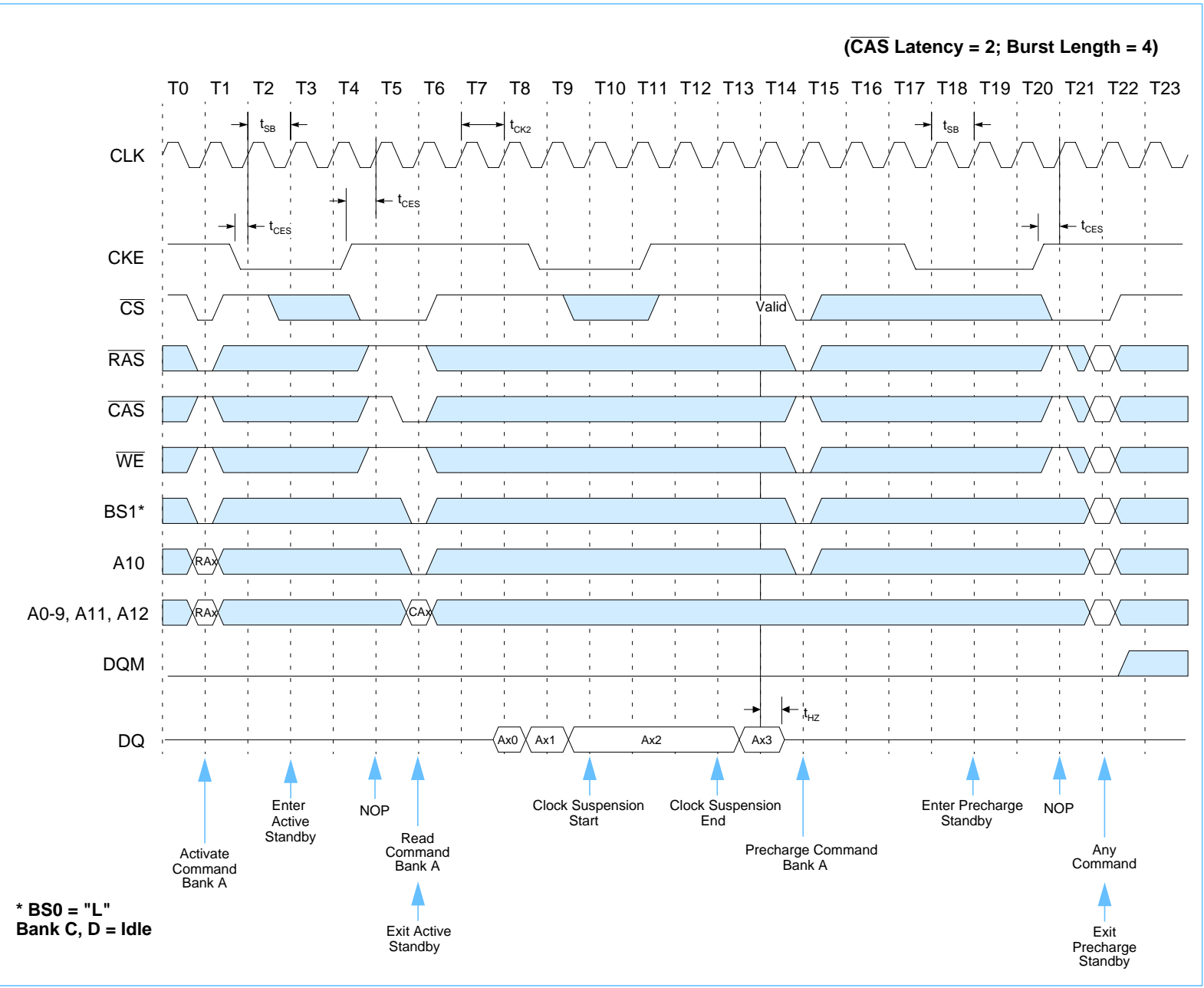
* BS0 = "L"
Bank C, D = Idle

DAx4 is gated off with DQM since T14 is not a suspended clock cycle

DQM is ignored since T17 is a suspended clock cycle

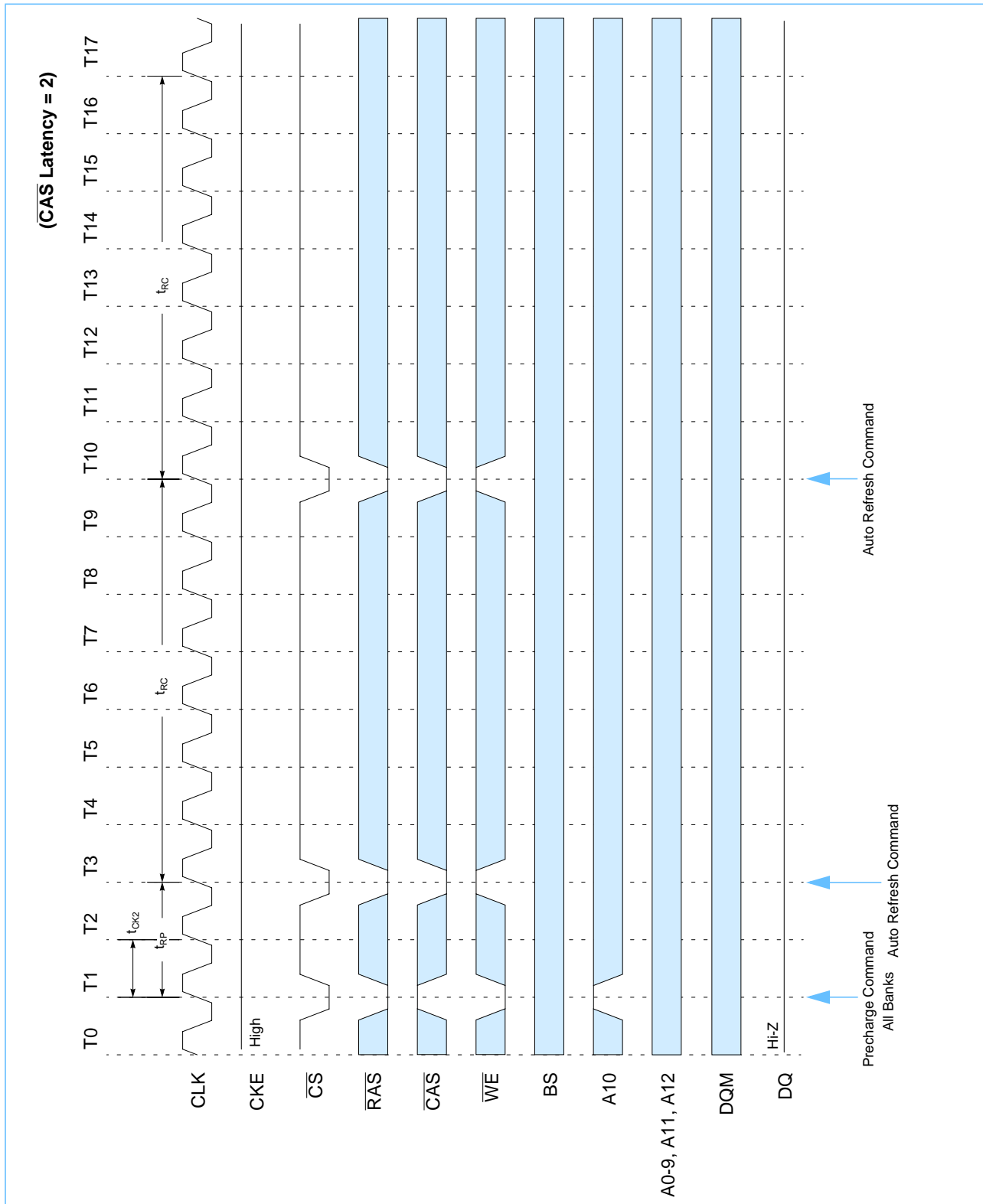


Power Down Mode and Clock Suspend



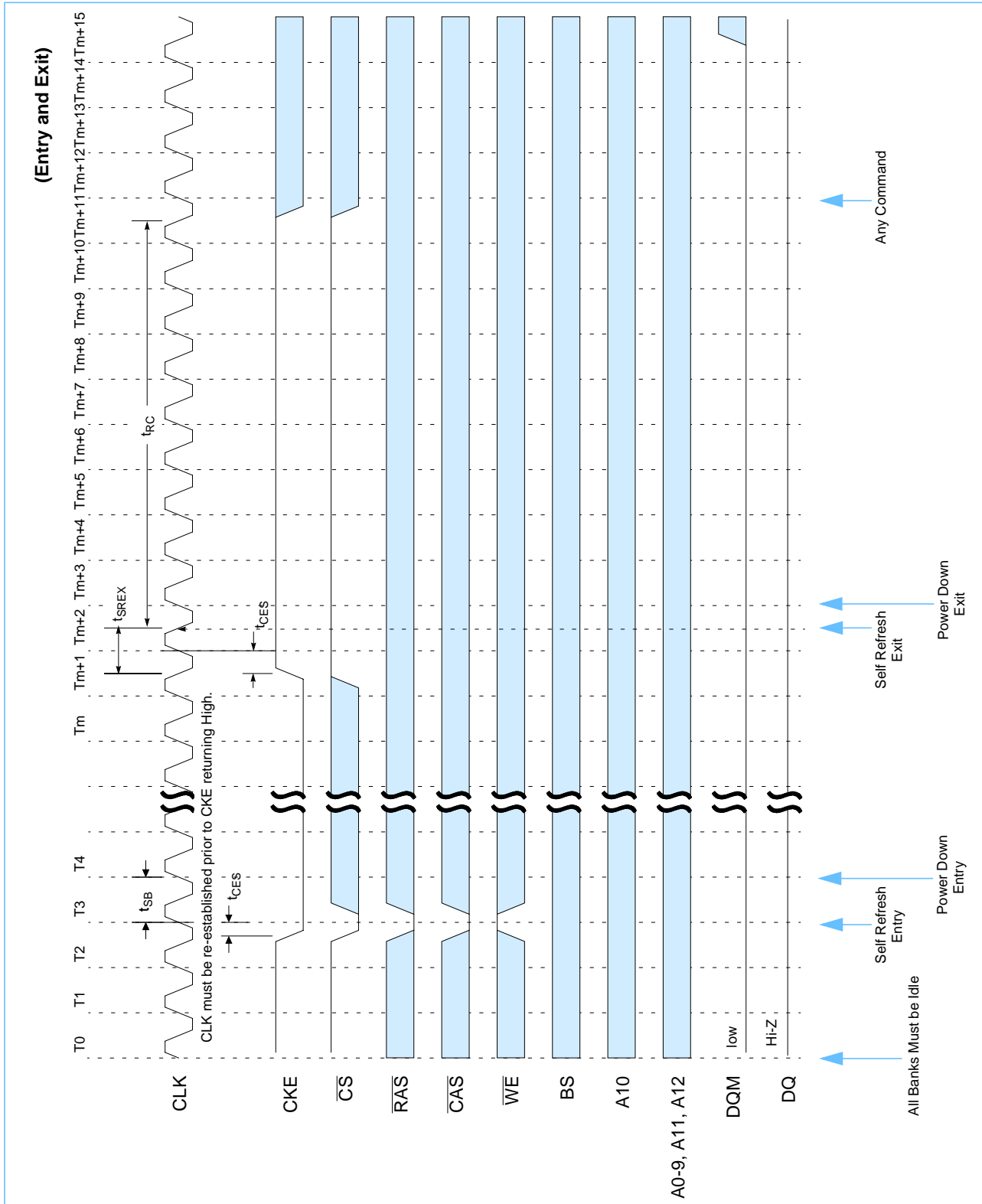


Auto Refresh (CBR)



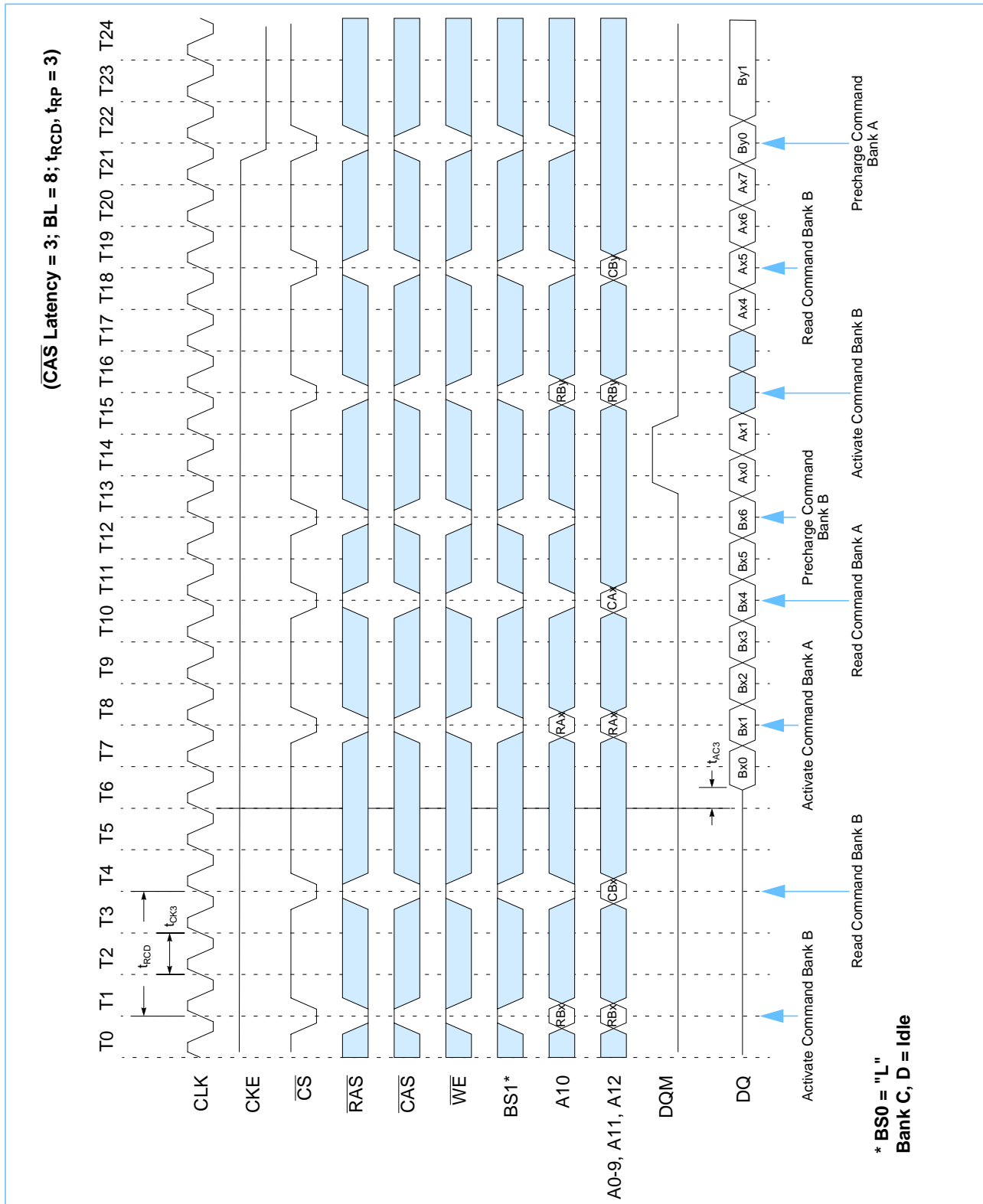


Self Refresh



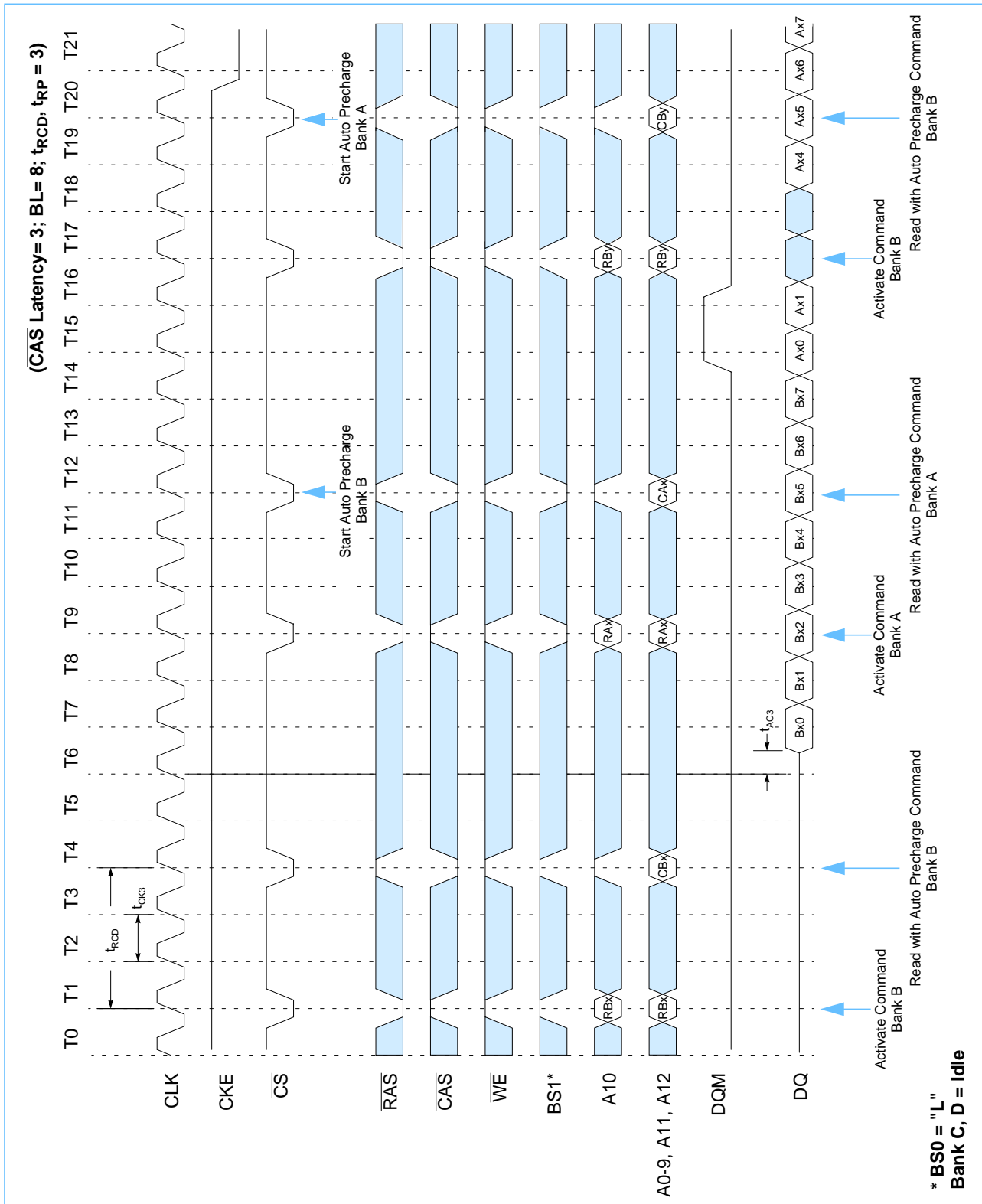


Random Row Read (Interleaving Banks) with Precharge



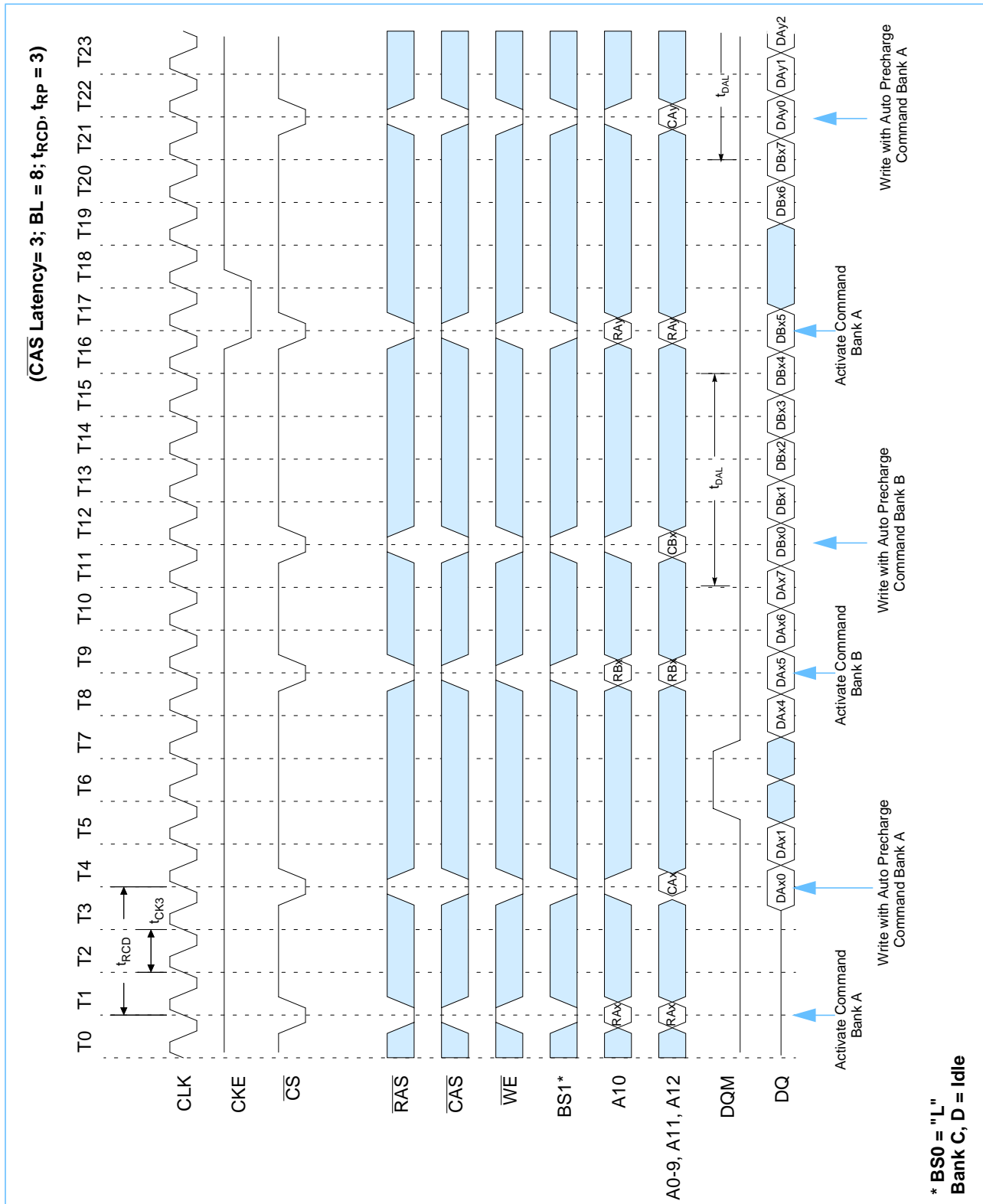


Random Row Read (Interleaving Banks) with Auto Precharge



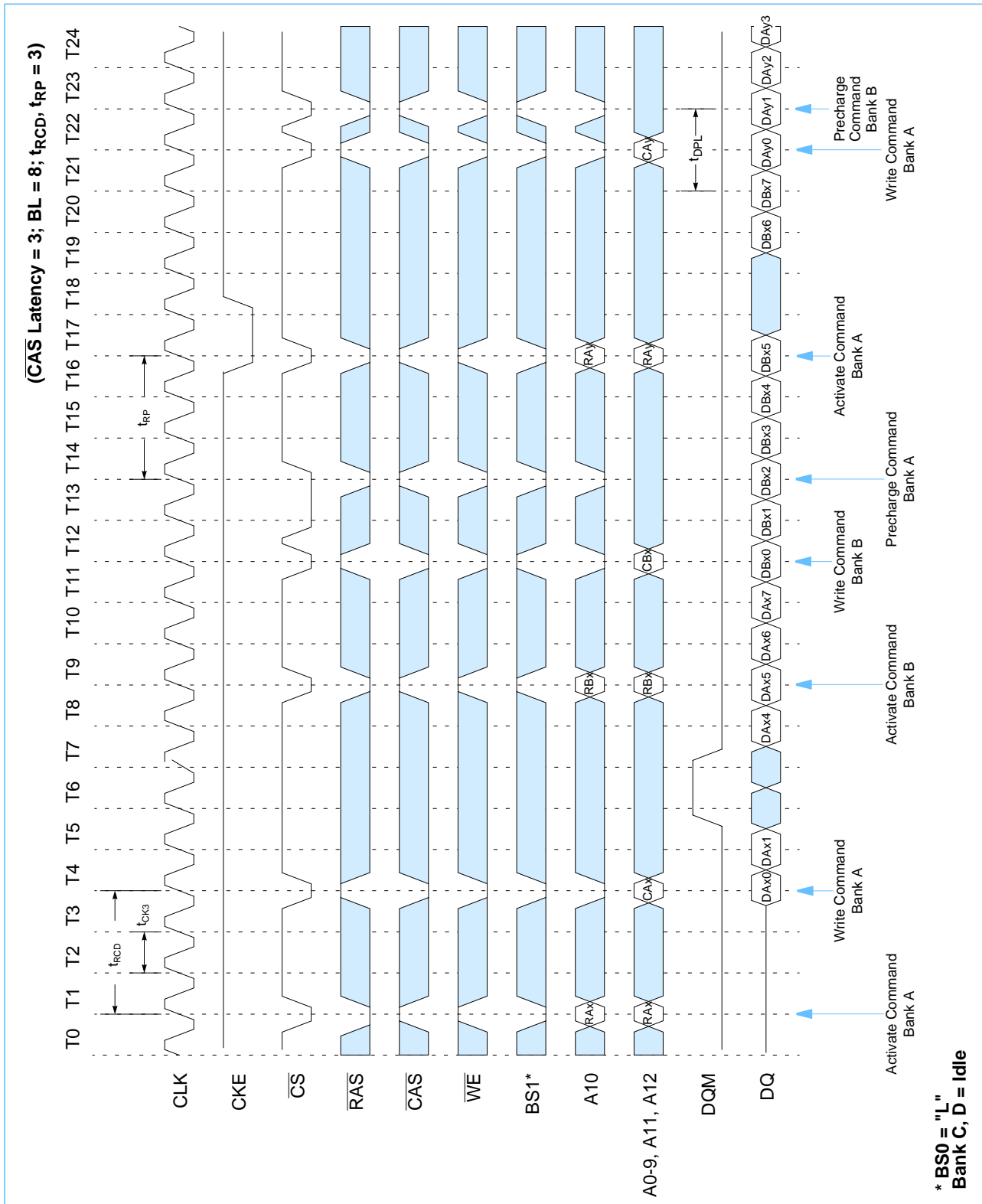


Random Row Write (Interleaving Banks) with Auto Precharge





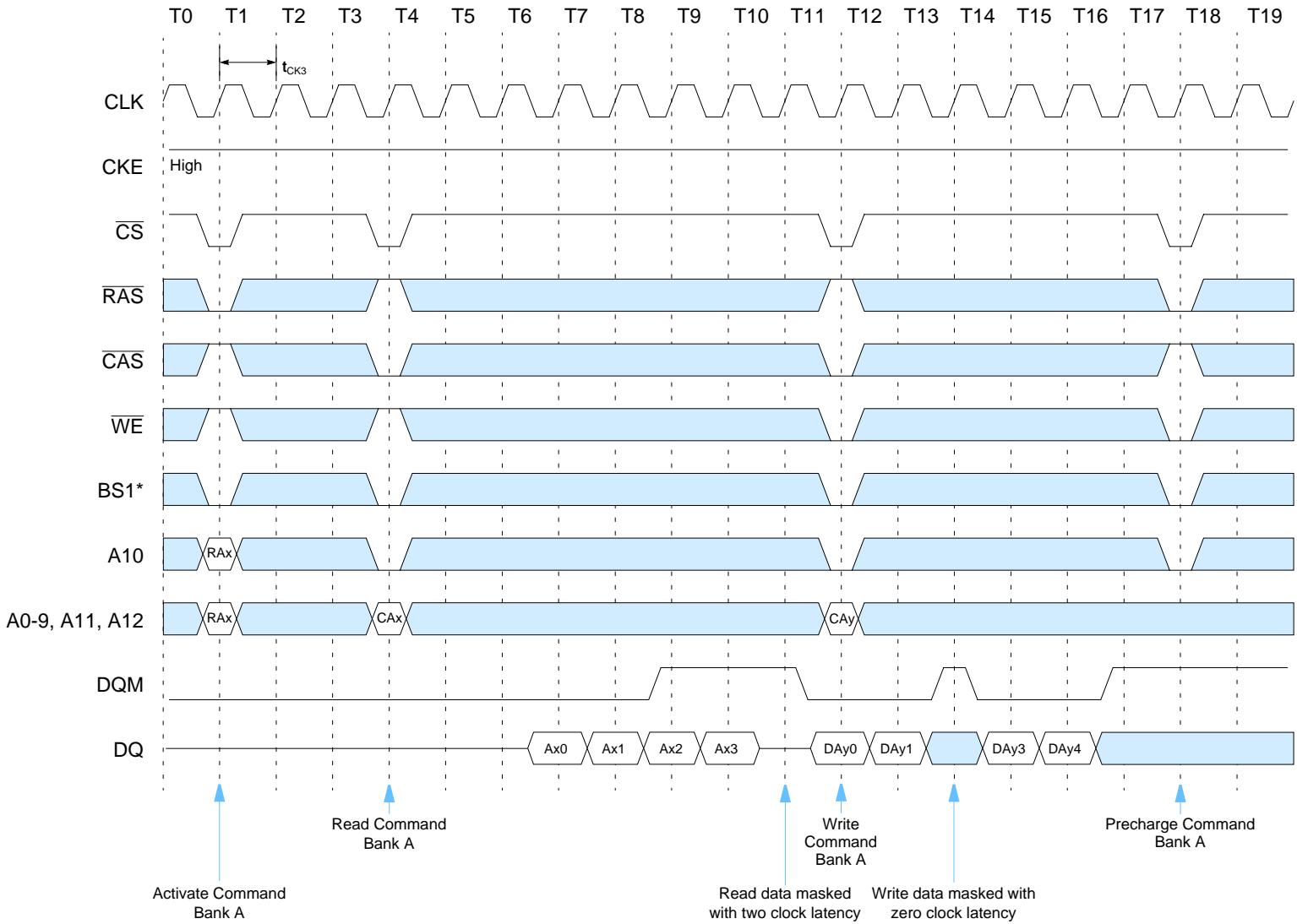
Random Row Write (Interleaving Banks) with Precharge





Read-Write Cycle

(CAS Latency = 3; Burst Length = 8; t_{RCD} = 3)

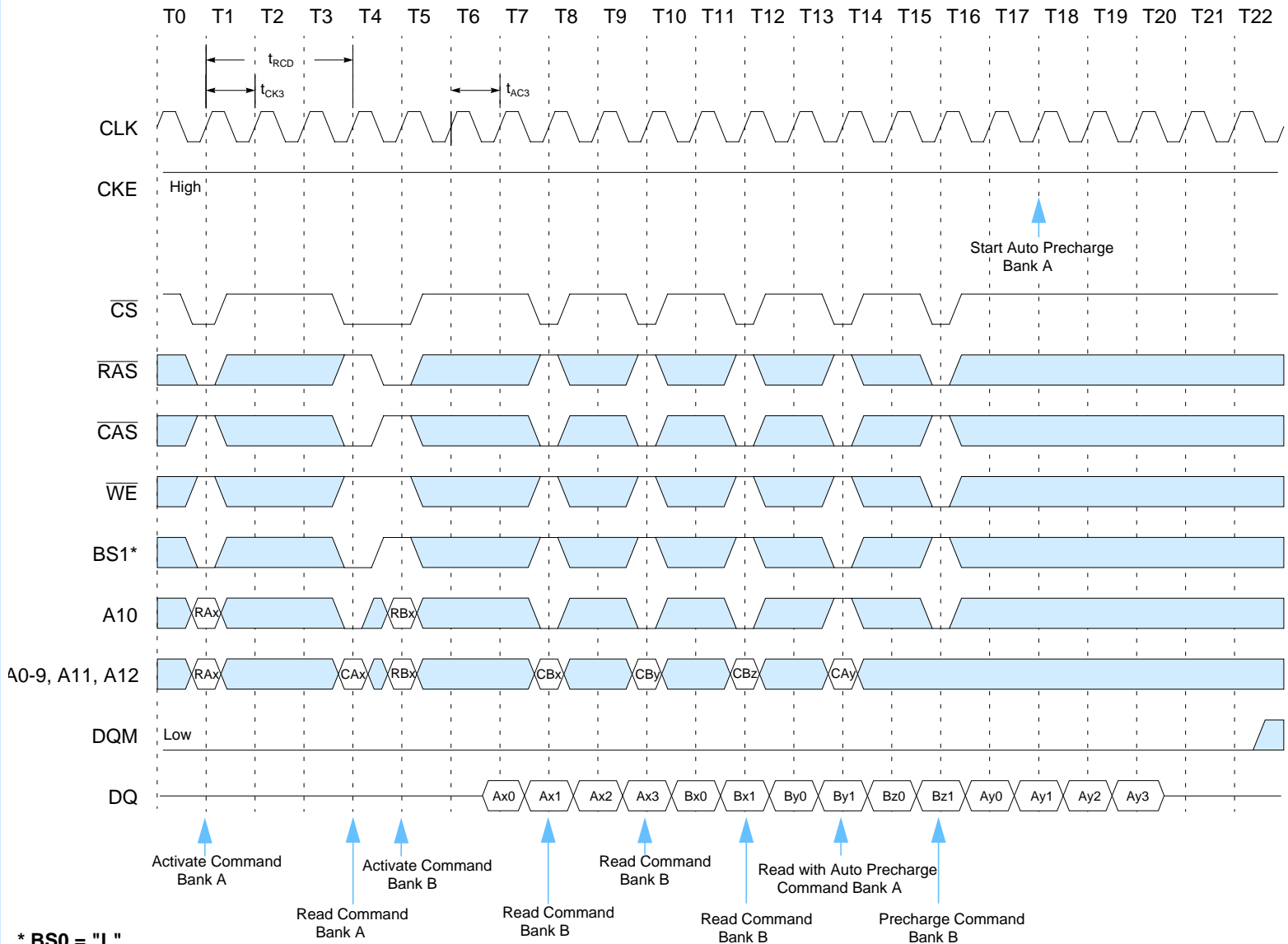


* BS0 = "L"
Bank C, D = Idle



Interleaved Column Read Cycle

($\overline{\text{CAS}}$ Latency = 3; Burst Length = 4; $t_{\text{RCD}} = 3$)

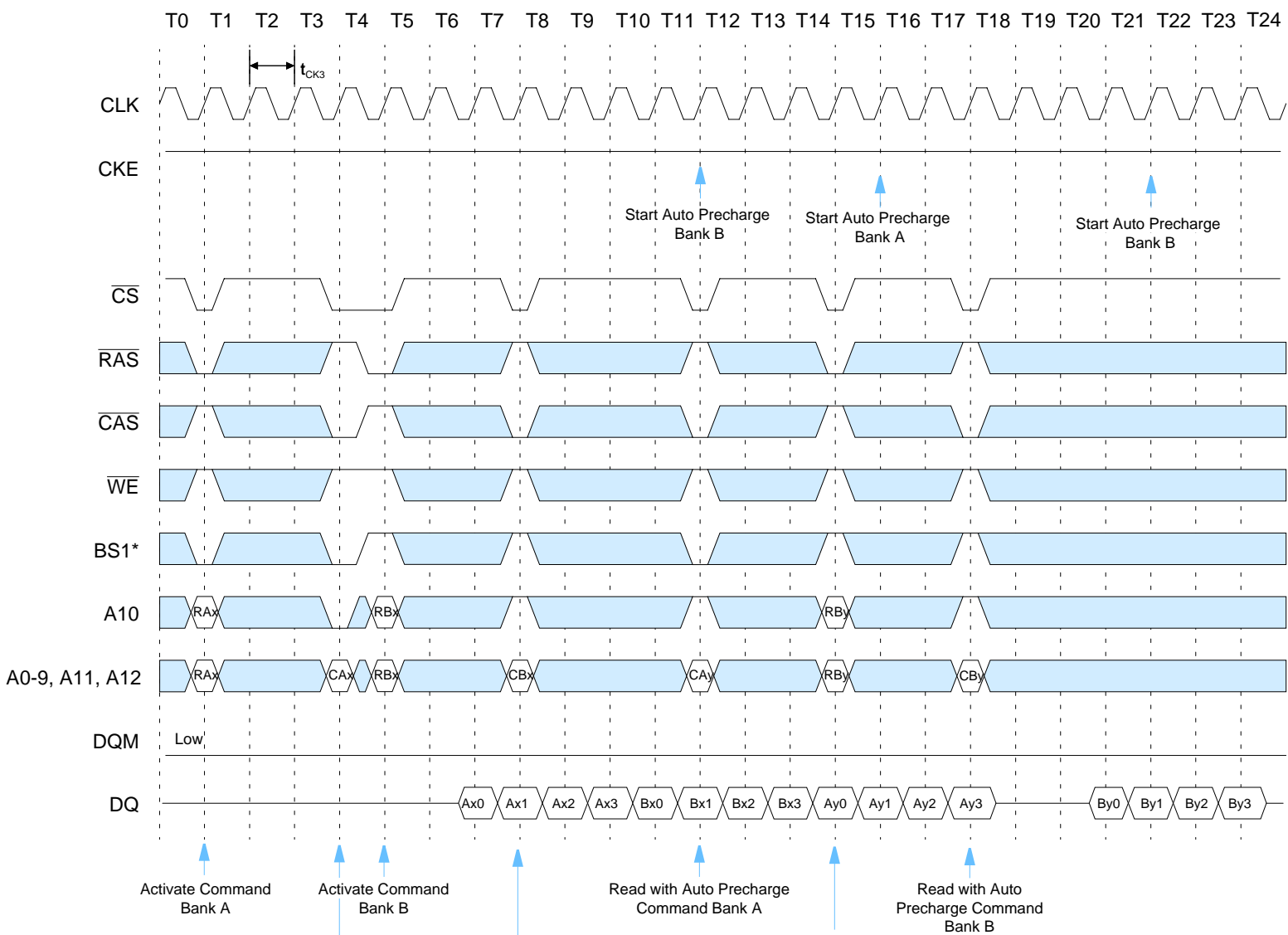


* BS0 = "L"
Bank C, D = Idle



Auto Precharge after Read Burst

(CAS Latency = 3; Burst Length = 4; $t_{RCD} = 3$)

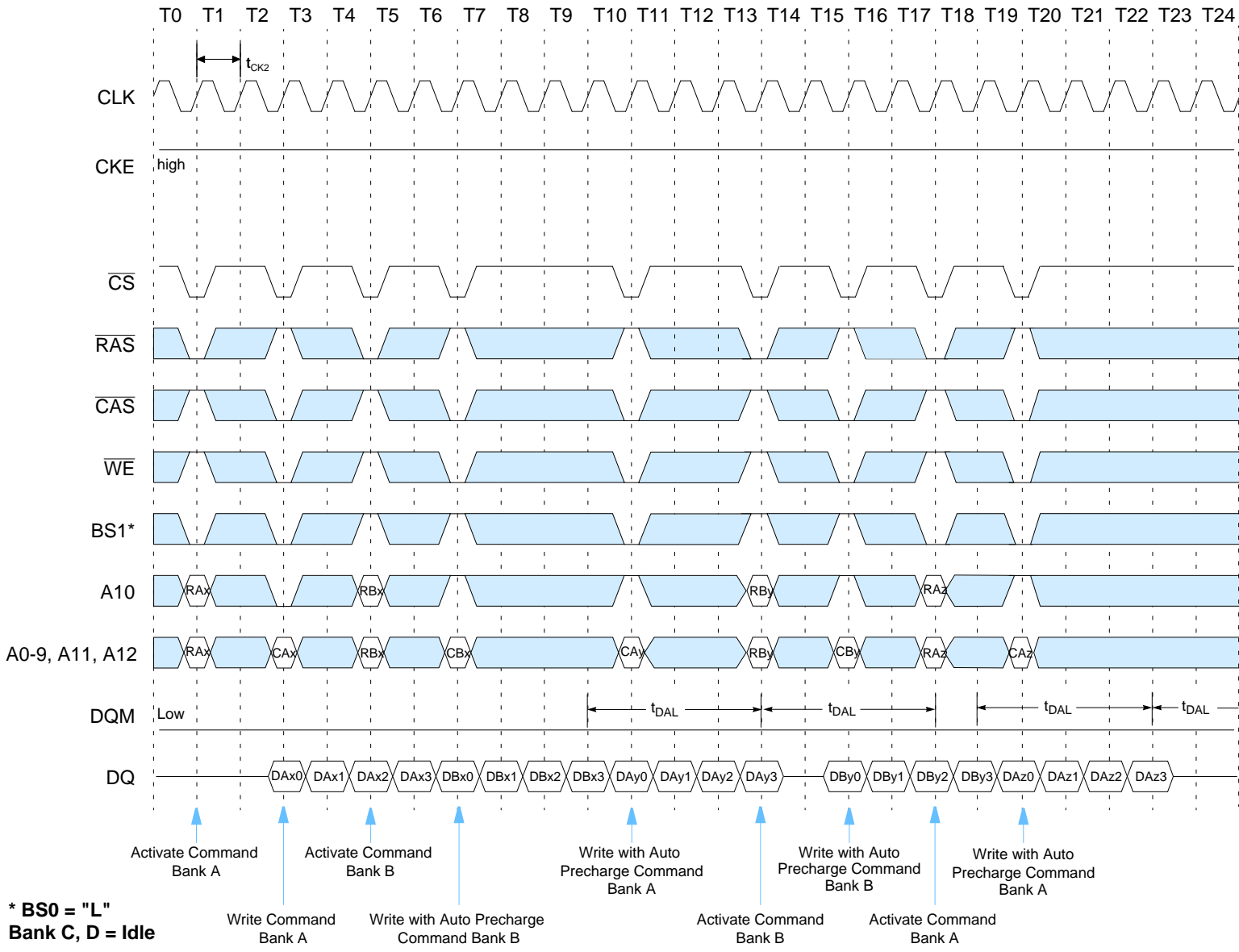


* $BS0 = "L"$
Bank C, D = Idle



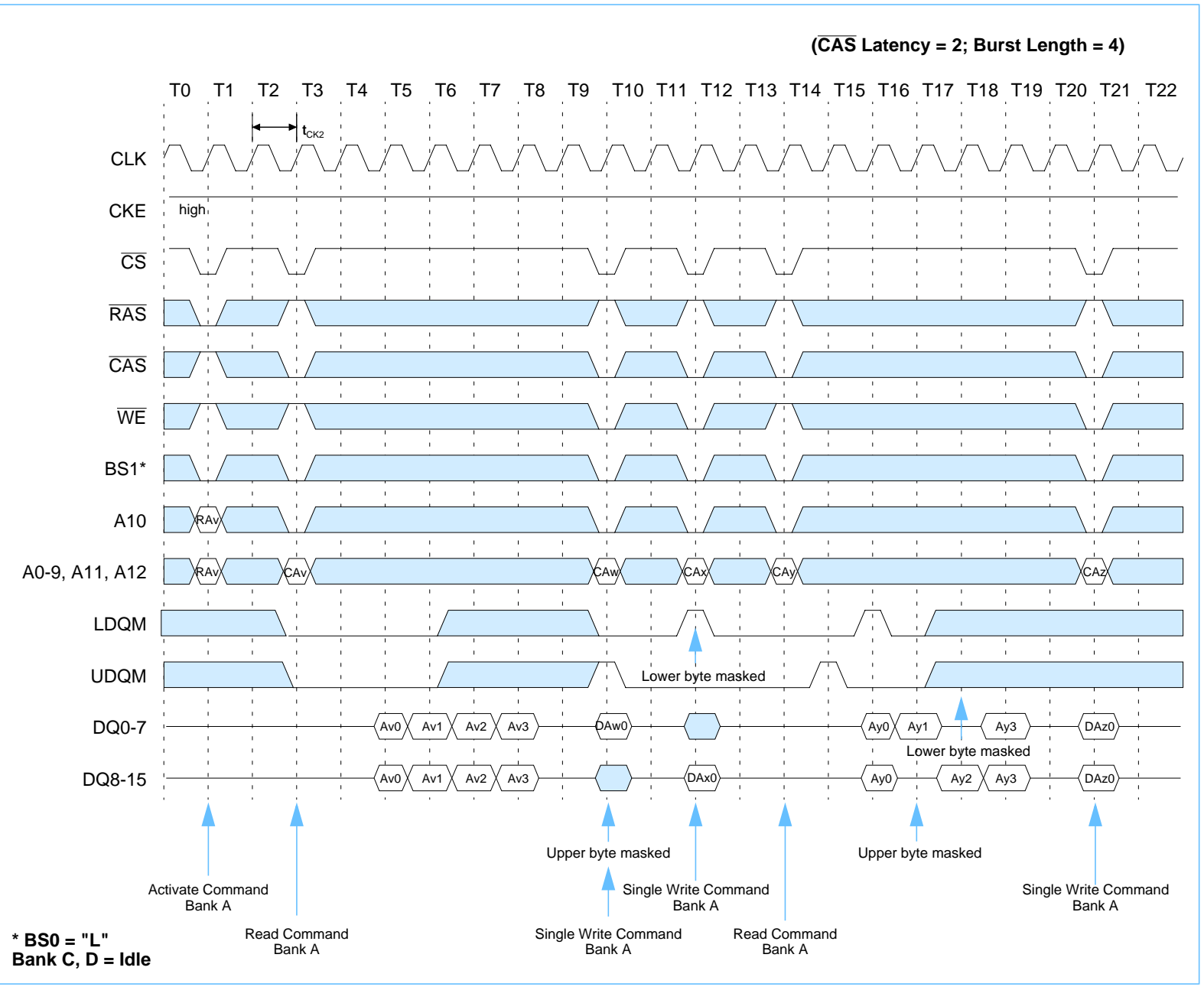
Auto Precharge after Write Burst

(CAS Latency = 2; Burst Length = 4)



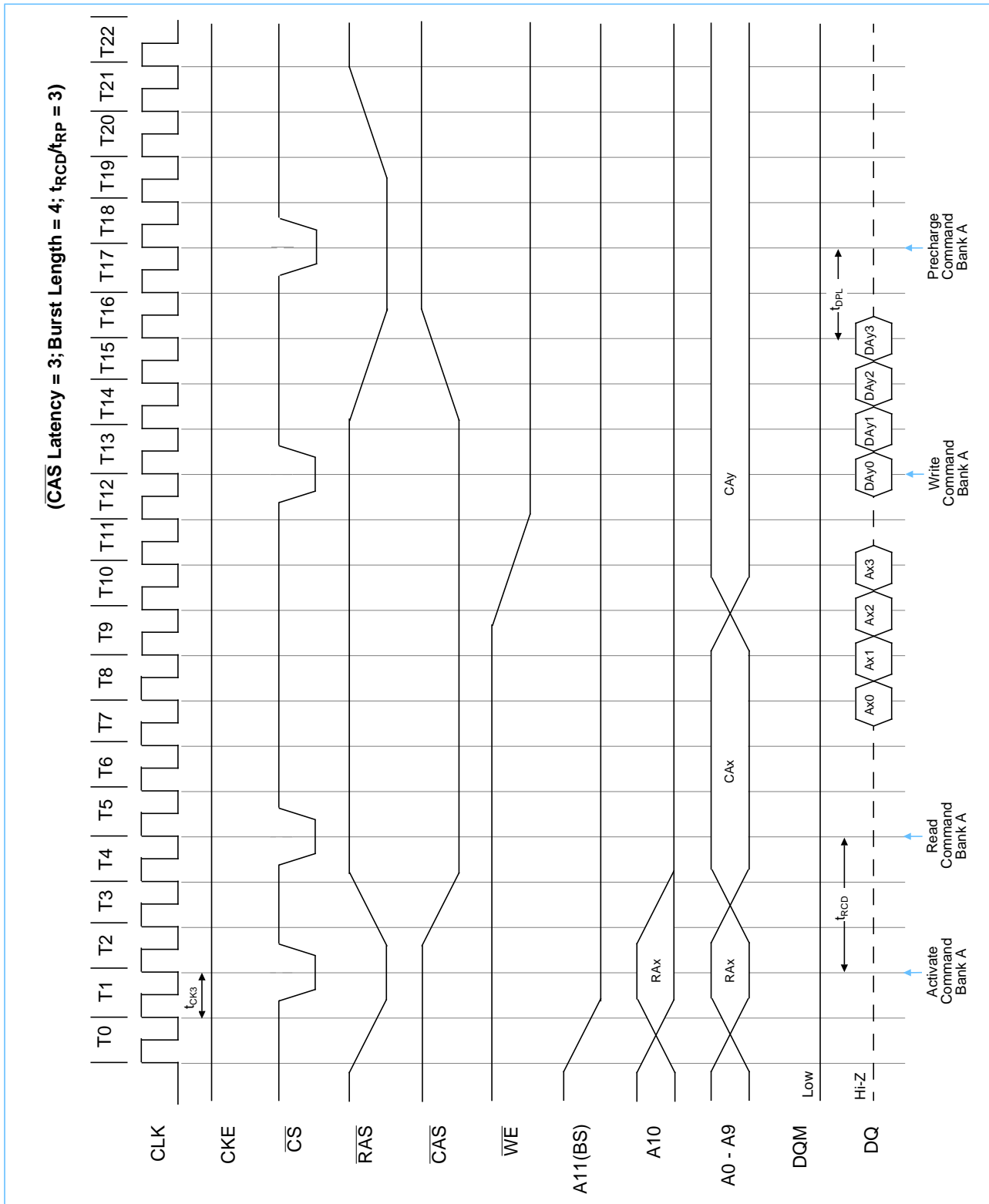


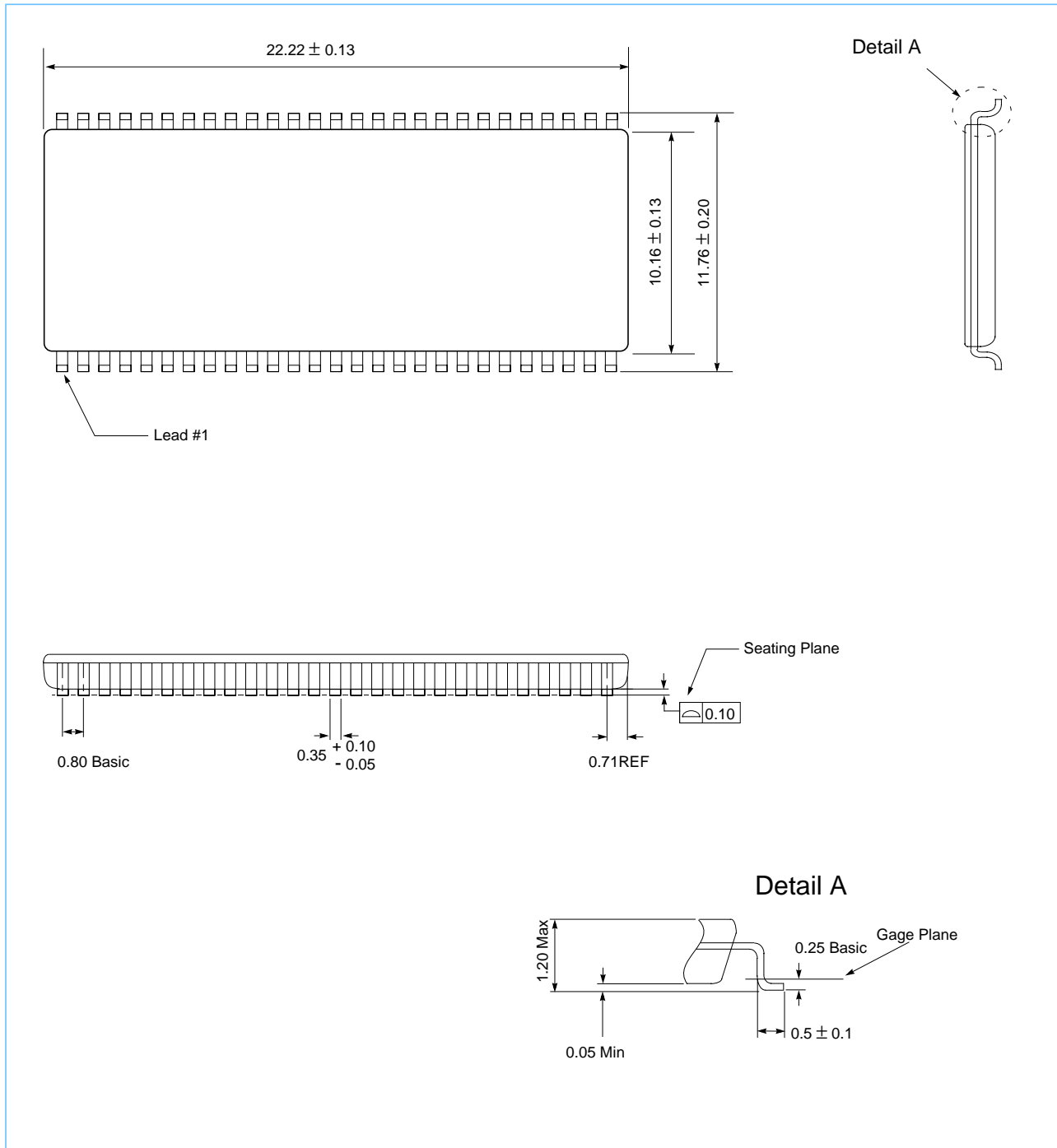
Burst Read and Single Write Operation



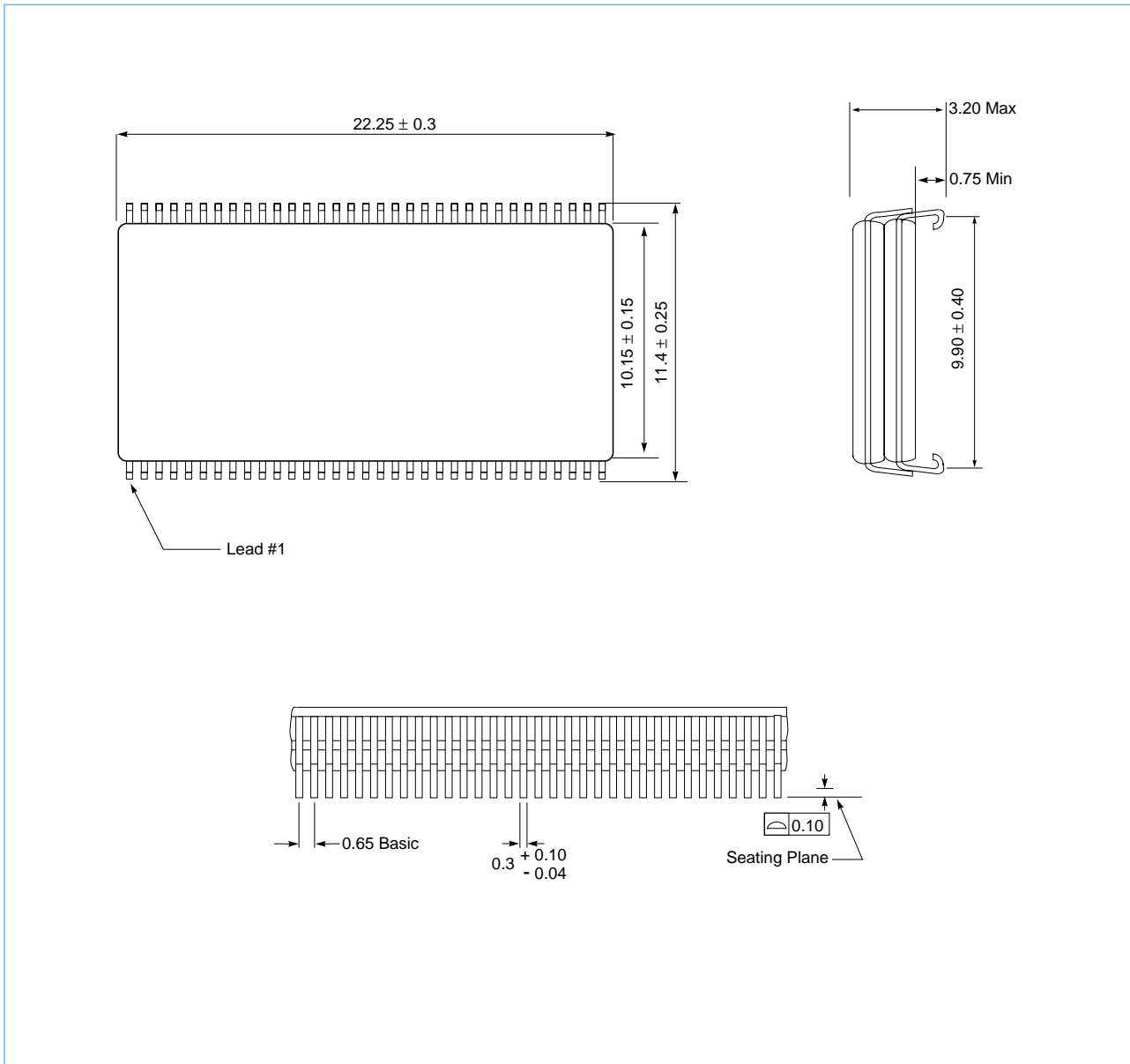


CS Function (Only CS signal needs to be asserted at minimum rate)



Package Dimensions (400mil; 54 lead; Thin Small Outline Package)


Package Dimensions (400mil; 66 lead; 2 High Stack; Thin Small Outline J Lead Package)





Revision Log

Revision	Location	Contents of Modification
8/24/98	--	Initial Release
1/7/99	page 1	Change -260 to 135 MHz maximum, -360 to 100MHz maximum. Also page 39 and page 41. Remove -68, low power.
	page 5	Update clock cycle for -260, -360. Remove -68, low power.
	page 6	Correct cell array information.
	page 9	Update Mode Register Figure.
	page 22-23	Correct Burst Write with Auto Precharge / Interrupt.
	page 24	Correct Burst Read followed by a Precharge Command timing diagram.
	page 30	Update bank designation for consistency.
	page 32	Remove Burst Termination from Current State Truth Table.
	page 38	Update currents.
	page 39	Correct number of CBRs required (note 1).
2/11/99	page 39-page 41	Update timings: -260 (t_{CK3} , t_{SETUP} , t_{HOLD} , t_{RC} , t_{RAS} , t_{RRD} , t_{SB} , t_{RSC} , t_{DPL} , t_{DAL}); -360 (t_{CK3} , t_{RAS} , t_{RRD} , t_{SB} , t_{RSC} , t_{DPL} , t_{DAL}); -10 (t_{CK2} , t_{RC} , t_{RAS} , t_{RCD} , t_{RP} , t_{RSC} , t_{DPL} , t_{DAL}) . Remove -68.
	page 44-page 47, page 49, page 50, page 52, page 54, page 55, page 56, page 61, page 62	Correct timing diagrams.
	page 65, 66	Correct package dimensions. Correct drawing of 2 high stack package.
3/19/99	page 1	Add -75A. Change -260 to 100 MHz maximum.
	page 5	Add -75A. Update clock cycle for -260.
	page 36	Update capacitance table.
	page 38	Update currents.
	page 39 - page 41	Add -75A timings. Update -260 timings: t_{CK3} , t_{SETUP} , t_{HOLD} , t_{RC} , t_{RAS} , t_{RRD} , t_{DPL} .
6/30/99	page 11	Update Bank Selection Bits.
	page 40	Update t_{RP} t_{RCD} for -75A (22.5 to 20ns)
	page 41	Update t_{DPL} from 15 to 20ns (-260, -360), t_{DAL2} from 4 to 5 clk (-360)
7/27/99	page 40, 41	Update t_{RP} (28ns to14ns), t_{DPL} (14ns to 20ns), t_{DAL2} (4clk to 3clk), for -10 sort



© International Business Machines Corp.1999

Printed in the United States of America
All rights reserved

IBM and the IBM logo are registered trademarks of the IBM Corporation.

This document may contain preliminary information and is subject to change by IBM without notice. IBM assumes no responsibility or liability for any use of the information contained herein. Nothing in this document shall operate as an express or implied license or indemnity under the intellectual property rights of IBM or third parties. The products described in this document are not intended for use in implantation or other direct life support applications where malfunction may result in direct physical harm or injury to persons. **NO WARRANTIES OF ANY KIND, INCLUDING, BUT NOT LIMITED TO, THE IMPLIED WARRANTIES OF MERCHANTABILITY OR FITNESS FOR A PARTICULAR PURPOSE, ARE OFFERED IN THIS DOCUMENT.**

For more information contact your IBM Microelectronics sales representative or visit us on World Wide Web at <http://www.chips.ibm.com>

IBM Microelectronics manufacturing is ISO 9000 compliant.