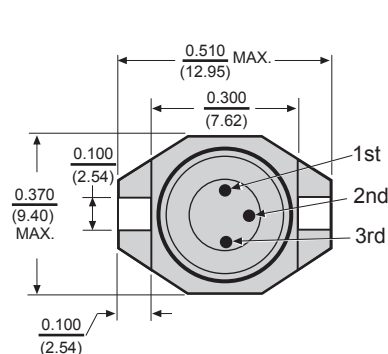
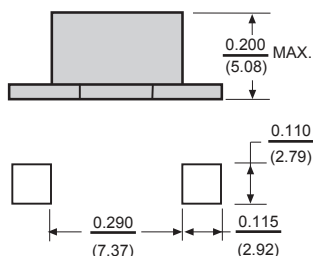


PCIS40 Power Chip Shielded Inductors



Dimensions: $\frac{\text{Inches}}{\text{(mm)}}$



Features

- Small size for high mounting density.
- Magnetically Shielded
- Minimum power loss can help increase battery life.
- High energy storage and very low DCR.
- Designed with high heat resistant materials for reflow operation.
- Flat top for pick and place assembly.

Electrical

Inductance Range: 1.0 μ h to 47 μ h.

Tolerance: $\pm 20\%$ over the entire inductance range.

Test Frequency: Inductance and Q measured at 100KHz, 0.1Vrms.

Operating Temp. Range: -40°C to +85°C

Inductance Drop: 10% typical at rated Isat.

Temperature Rise: $\Delta T = 40^\circ\text{C}$ rise typical at Irms.

Physical

Marking: Color Code using standard EIA three dot system.

Packaging: 1000 pieces per 13 inch reel.

Allied Part Number	Inductance (μ h)	Q Min.	Q Test Frequency (KHz)	DCR Max. (Ω)	SRF Reference (MHz)	Isat (A)	Irms (A)
PCIS40-1R0M-RC	1.0	3	100	.021	110	5.6	5.0
PCIS40-1R5M-RC	1.5	5	100	.022	90	5.2	4.5
PCIS40-2R2M-RC	2.2	5	100	.032	60	5.0	3.8
PCIS40-3R3M-RC	3.3	5	100	.039	55	3.9	3.3
PCIS40-4R7M-RC	4.7	10	100	.054	30	3.2	2.7
PCIS40-6R8M-RC	6.8	10	100	.075	30	2.8	2.2
PCIS40-100M-RC	10	10	100	.101	28	2.4	2.0
PCIS40-150M-RC	15	15	100	.150	20	2.0	1.5
PCIS40-220M-RC	22	20	100	.207	15	1.6	1.3
PCIS40-330M-RC	33	20	100	.334	12	1.4	1.1
PCIS40-470M-RC	47	20	100	.472	10	1.0	0.8

All specifications subject to change without notice.