

TECHNICAL DATA SHEET 4198, REV. -

**TRANSIENT VOLTAGE SUPPRESSOR 1500 WATT SERIES
GLASS PASSIVATED DIE PLUS DUAL HEAT STRIPS**

FEATURES

- Low Profile
- Broad Voltage Range Available - - 6.8 to 440 V
- Broad Spectrum Transient Suppression
- 1500W Surge Capability at 1 ms
- Built-in Heat Absorbing Terminations
- Electrically Similar to MIL-PRF-19500/516

APPLICATIONS

- Connector I/O Surge Suppression
- Data Line Protection

DESCRIPTION

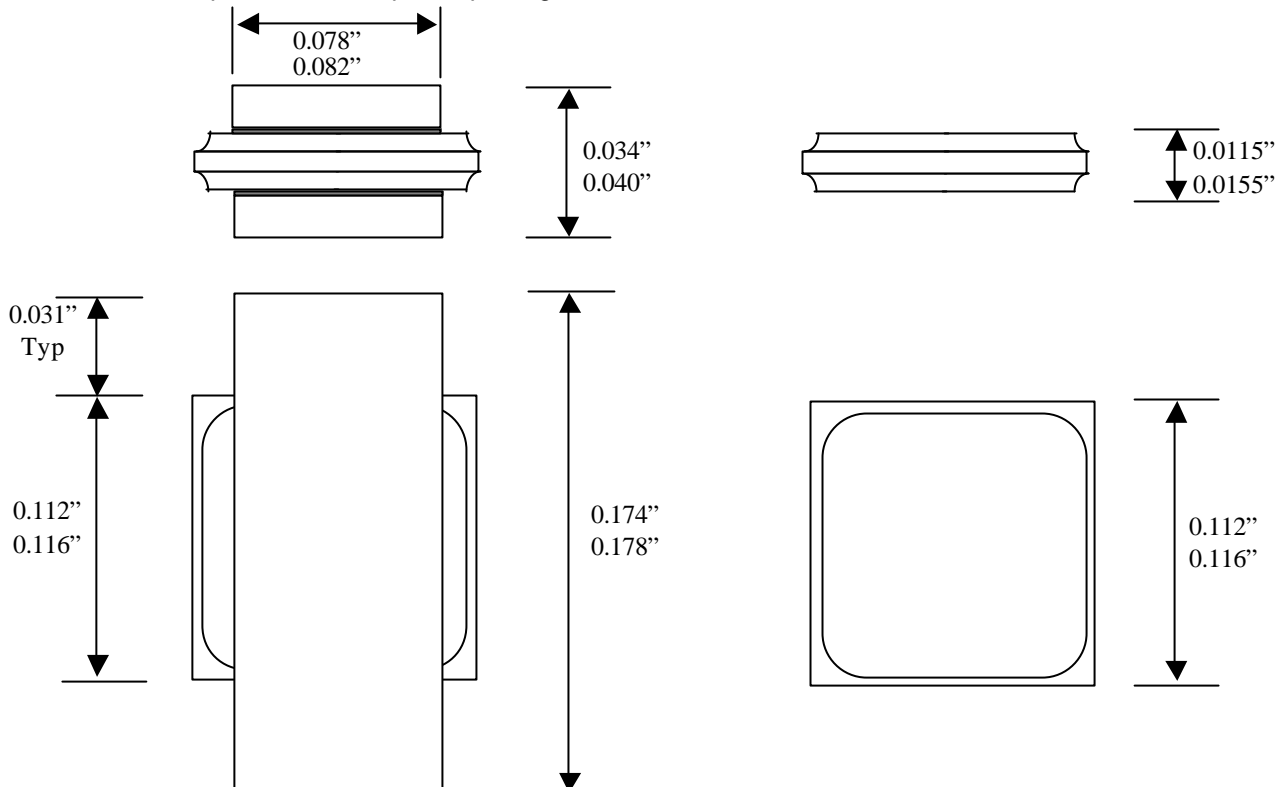
This is a bipolar transient voltage suppressor series extending from 6.8 volts to 440 volts intended for surface mount applications.

Each device comes as a "Cell" with its own heat absorbing terminals pre-bonded at high temperature. This permits mounting on printed circuit boards that cannot provide their own heat sinking. Each terminal is silver plated and is solderable permitting solder down attachment with a very small footprint. Each unit is bi-symmetrical so any orientation can be used.

ELECTRICAL CHARACTERISTICS

PARAMETER	SYMBOL	Test Conditions	Min	TYP	Max	Unit
Peak Pulse Power	Pppm	TA = 25 8C, Tp = 1 ms (Note 1)	1500			Watts
Electrical Parameters				See Table		
Maximum Solder Temperature	Tmax	10 Second exposure			250	8C
Operating & Storage Tempature		Tj, Tstg	-55		175	8C

Note 1: Non-repetitive current pulse, per Fig. 3 and derated above TA = 25 8C per Fig. 2.



Note: "Die only configuration requires user to provide adequate energy absorption.

TECHNICAL DATA SHEET 4198, REV. -

SEN-R-1034-XXX 1500 Watt TVS Series

Part Number	Nominal	Iz (mA)	Vz min	Vz max
	Vz (V)		@ Iz (V)	@ Iz (V)
SEN-R-1034-001	6.8	10	6.45	7.14
SEN-R-1034-002	7.5	10	7.13	7.88
SEN-R-1034-003	8.2	10	7.79	8.61
SEN-R-1034-004	9.1	10	8.65	9.55
SEN-R-1034-005	10	1	9.50	10.50
SEN-R-1034-006	11	1	10.50	11.60
SEN-R-1034-007	12	1	11.40	12.60
SEN-R-1034-008	13	1	12.40	13.70
SEN-R-1034-009	15	1	14.30	15.80
SEN-R-1034-010	16	1	15.20	16.80
SEN-R-1034-011	18	1	17.10	18.90
SEN-R-1034-012	20	1	19.00	21.00
SEN-R-1034-013	22	1	20.90	23.10
SEN-R-1034-014	24	1	22.80	25.20
SEN-R-1034-015	27	1	25.70	28.40
SEN-R-1034-016	30	1	28.50	31.50
SEN-R-1034-017	33	1	31.40	34.70
SEN-R-1034-018	36	1	34.20	37.80
SEN-R-1034-019	39	1	37.10	41.00
SEN-R-1034-020	43	1	40.90	45.20
SEN-R-1034-021	47	1	44.70	49.40
SEN-R-1034-022	51	1	48.50	53.60
SEN-R-1034-023	56	1	53.20	58.80
SEN-R-1034-024	62	1	58.90	65.10
SEN-R-1034-025	68	1	64.60	71.40
SEN-R-1034-026	75	1	71.30	78.80
SEN-R-1034-027	82	1	77.90	86.10
SEN-R-1034-028	91	1	86.50	95.50
SEN-R-1034-029	100	1	95.00	105.00
SEN-R-1034-030	110	1	105.00	116.00
SEN-R-1034-031	120	1	114.00	126.00
SEN-R-1034-032	130	1	124.00	137.00
SEN-R-1034-033	150	1	143.00	158.00
SEN-R-1034-034	160	1	152.00	168.00
SEN-R-1034-035	170	1	162.00	179.00
SEN-R-1034-036	180	1	171.00	189.00
SEN-R-1034-037	200	1	190.00	210.00
SEN-R-1034-038	220	1	209.00	231.00
SEN-R-1034-039	250	1	237.00	263.00
SEN-R-1034-040	300	1	285.00	315.00
SEN-R-1034-041	350	1	332.00	368.00
SEN-R-1034-042	400	1	380.00	420.00
SEN-R-1034-043	440	1	418.00	462.00

Vr (V)	Ir max	Vcc (V)	Ip (A)
	@ Vr (uA)		
5.80	2000	10.5	144.8
6.40	1000	11.3	134.5
7.02	400	12.1	125.6
7.78	100	13.4	113.4
8.55	20	14.5	104.8
9.40	10	15.6	97.4
10.20	5	16.7	91.0
11.10	5	18.2	83.5
12.80	5	21.2	71.7
13.60	5	22.5	67.6
15.30	5	25.2	60.3
17.10	5	27.7	54.9
18.80	5	30.6	49.7
20.50	5	33.2	45.8
23.10	5	37.5	40.5
25.60	5	41.4	36.7
28.20	5	45.7	33.3
30.80	5	49.9	30.5
33.30	5	53.9	28.2
36.80	5	59.3	25.6
40.20	5	64.8	23.5
43.60	5	70.1	21.7
47.80	5	77.0	19.7
53.00	5	85.0	17.9
58.10	5	92.0	16.5
64.10	5	103.0	14.8
70.10	5	113.0	13.5
77.80	5	125.0	12.2
85.50	5	137.0	11.1
94.00	5	152.0	10.0
102.00	5	165.0	9.2
111.00	5	179.0	8.5
128.00	5	207.0	7.3
136.00	5	219.0	6.9
145.00	5	234.0	6.5
154.00	5	246.0	6.2
171.00	5	274.0	5.5
185.00	5	328.0	4.6
214.00	5	344.0	4.4
256.00	5	414.0	3.7
300.00	5	482.0	3.2
342.00	5	548.0	2.8
376.00	5	600.0	2.5

SENSITRON

SEMICONDUCTOR

TECHNICAL DATA

DISCLAIMER:

- 1- The information given herein, including the specifications and dimensions, is subject to change without prior notice to improve product characteristics. Before ordering, purchasers are advised to contact the Sensitron Semiconductor sales department for the latest version of the datasheet(s).
- 2- In cases where extremely high reliability is required (such as use in nuclear power control, aerospace and aviation, traffic equipment, medical equipment, and safety equipment), safety should be ensured by using semiconductor devices that feature assured safety or by means of users' fail-safe precautions or other arrangement.
- 3- In no event shall Sensitron Semiconductor be liable for any damages that may result from an accident or any other cause during operation of the user's units according to the datasheet(s). Sensitron Semiconductor assumes no responsibility for any intellectual property claims or any other problems that may result from applications of information, products or circuits described in the datasheets.
- 4- In no event shall Sensitron Semiconductor be liable for any failure in a semiconductor device or any secondary damage resulting from use at a value exceeding the absolute maximum rating.
- 5- No license is granted by the datasheet(s) under any patents or other rights of any third party or Sensitron Semiconductor.
- 6- The datasheet(s) may not be reproduced or duplicated, in any form, in whole or part, without the expressed written permission of Sensitron Semiconductor.
- 7- The products (technologies) described in the datasheet(s) are not to be provided to any party whose purpose in their application will hinder maintenance of international peace and safety nor are they to be applied to that purpose by their direct purchasers or any third party. When exporting these products (technologies), the necessary procedures are to be taken in accordance with related laws and regulations.