

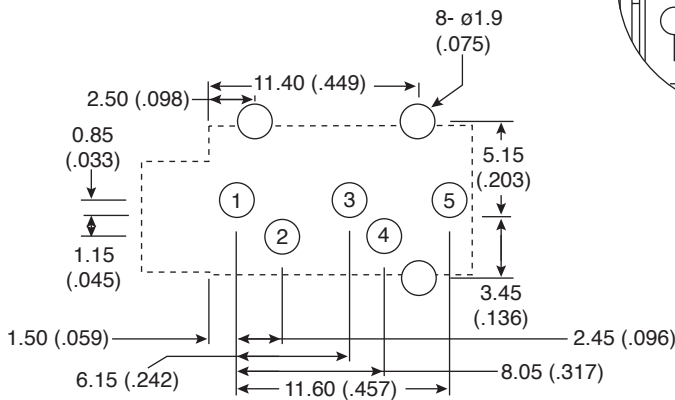
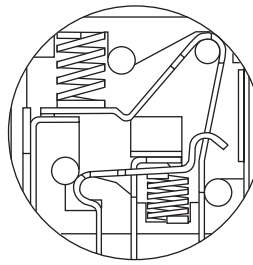
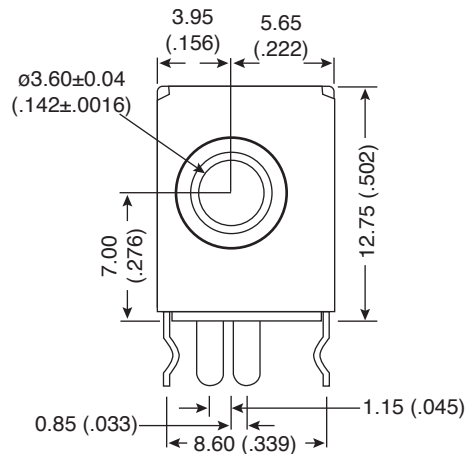
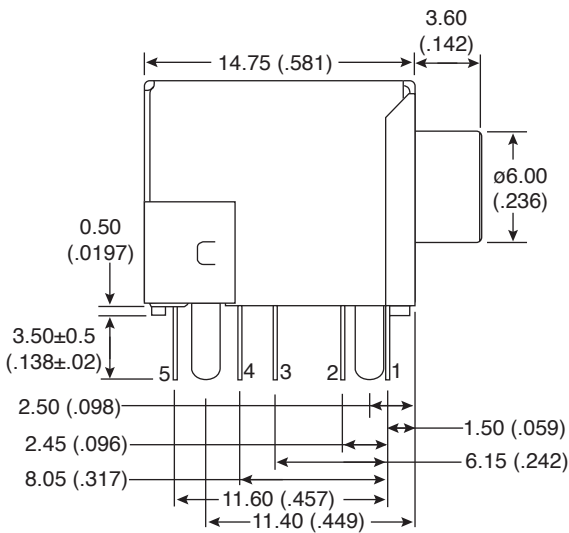
3.5mm Stereo Jacks, Shielded

161-3153-E, 161-3155-E



3.5mm Stereo Jacks, Shielded

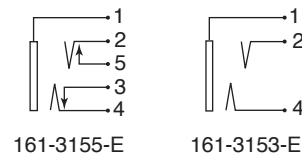
161-3153-E, 161-3155-E



PCB LAYOUT
BOTTOM VIEW

Dimensions: mm (In)

SCHEMATIC



SPECIFICATIONS

Housing:	PBT with 15% glass
Shield:	Tin Plated Steel
Terminals:	Tin Plated Brass
Insertion/Extraction Force:	.3-3.0 Kgs
Dielectric Strength:	500VAC for 1 Minute
Insulation Resistance:	100MΩ min.
Contact Resistance:	50mΩ max.
Life Cycle:	5,000 Matings min.
Operating Temperature:	-25°C to +85°C
RoHS Compliant	

Date Last Revised: 2-15-06

Available from Mouser Electronics
1-800-346-6873
www.mouser.com

KC-300964