

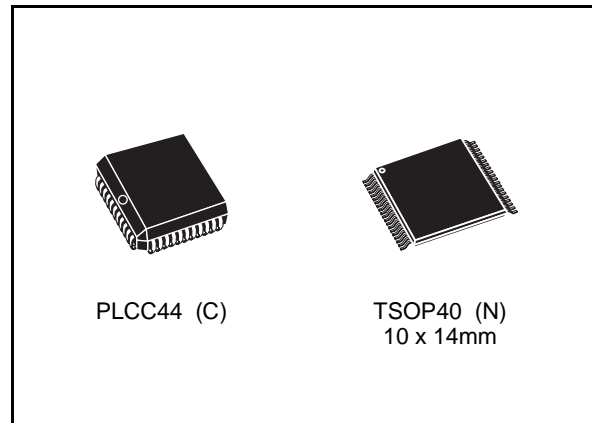


M27C516

512 Kbit (32Kb x16) OTP EPROM

DATA BRIEFING

- 5V \pm 10% SUPPLY VOLTAGE in READ OPERATION
- FAST ACCESS TIME: 35ns
- LOW POWER CONSUMPTION:
 - Active Current 30mA at 5MHz
 - Stand-by Current 100 μ A
- PROGRAMMING VOLTAGE: 12.75V \pm 0.25V
- PROGRAMMING TIME: 100 μ s/word (typical)
- ELECTRONIC SIGNATURE
 - Manufacturer Code: 0020h
 - Device Code: 000Fh

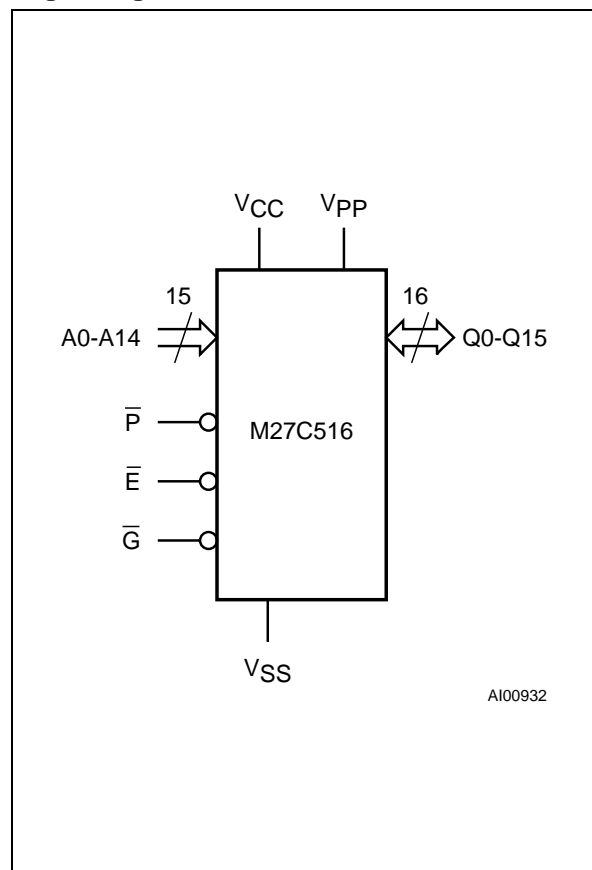


DESCRIPTION

The M27C516 is a 512 Kbit EPROM offered in the OTP range (one time programmable). It is ideally suited for microprocessor systems requiring large data or program storage and is organized as 32,768 words of 16 bits.

The M27C516 is offered in a PLCC44 and TSOP40 (10 x 14mm) packages.

Logic Diagram

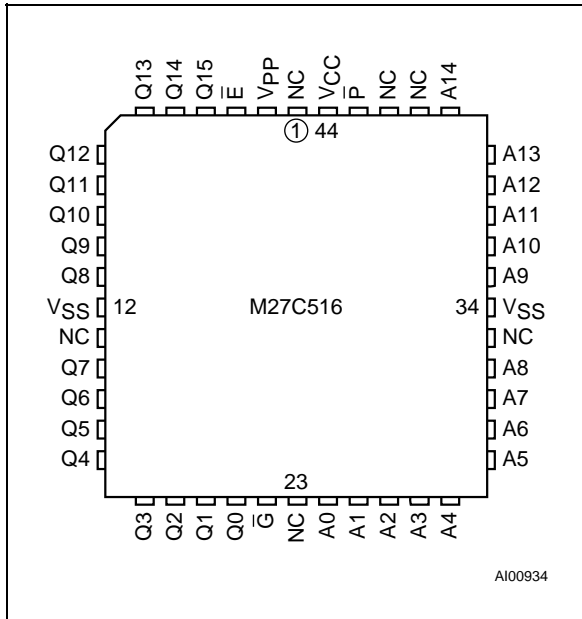


Signal Names

A0-A14	Address Inputs
Q0-Q15	Data Outputs
\bar{E}	Chip Enable
\bar{G}	Output Enable
\bar{P}	Program Enable
V _{CC}	Supply Voltage
V _{PP}	Program Supply
V _{SS}	Ground

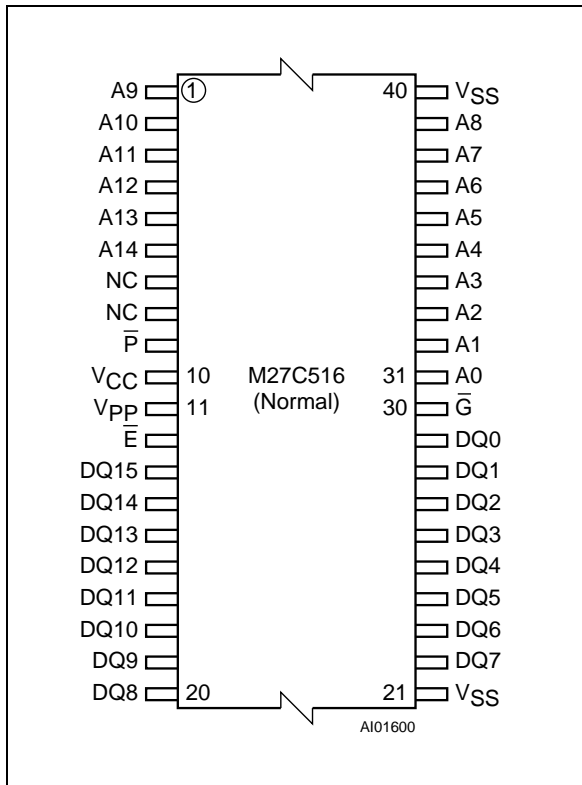
M27C516

LCC Pin Connections



Warning: NC = Not Connected.

TSOP Pin Connections



Warning: NC = Not Connected.

Ordering Information Scheme

For a list of available options or for further information on any aspect of this device, please contact the STMicroelectronics Sales Office nearest to you.

Example: M27C516 -70 X N 1 TR

Speed	
-35 ⁽¹⁾ 35ns	
-45 ⁽¹⁾ 45ns	
-55 ⁽²⁾ 55ns	
-70 ⁽²⁾ 70ns	
-85 85ns	
-10 100ns	
V_{CC} Tolerance	
blank ± 10V	
X ± 5V	
Package	
C PLCC44	
N TSOP40 10 x 14mm	
Temp. Range	
1 0 to 70 °C	
6 -40 to 85 °C	
Option	
TR Tape & Reel Packing	

Notes: 1. High Speed load. See full data sheet for further information.
2. Speed obtained with a load capacitance of 60pF.