

## 8CH DARLINGTON SINK DRIVER

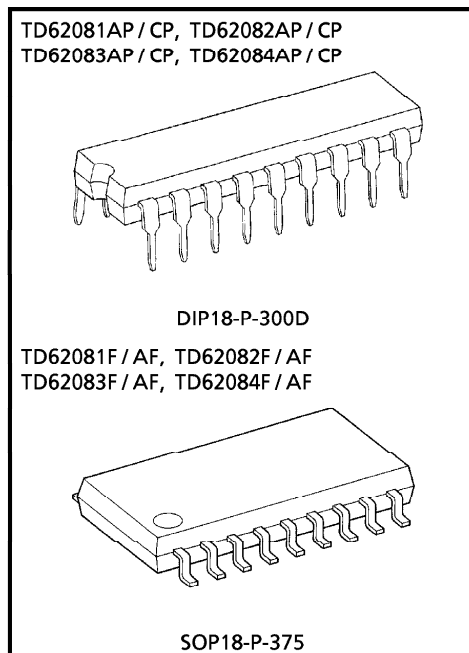
The TD62081AP/CP/F/AF Series are high-voltage, high-current darlington drivers comprised of eight NPN darlington pairs.

All units feature integral clamp diodes for switching inductive loads.

Applications include relay, hammer, lamp and display (LED) drivers.

### FEATURES

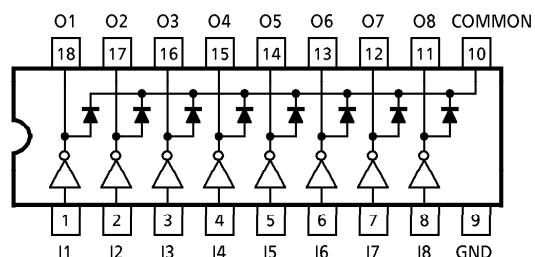
- Output current (single output)  
500mA (Max.) (TD62081AP/F/AF series)  
400mA (Max.) (TD62081CP series)
- High sustaining voltage output  
35V (Min.) (TD62081F series)  
50V (Min.) (TD62081AP/AF series)  
100V (Min.) (TD62081CP series)
- Output clamp diodes
- Inputs compatible with various types of logic.
- Package type-AP, CP : DIP-18pin
- Package type-F, AF : SOP-18pin



Weight DIP18-P-300D : 1.478g (Typ.)  
SOP18-P-375 : 0.41g (Typ.)

TYPE	INPUT BASE RESISTOR	DESIGNATION
TD62081AP/CP/F/AF	External	General Purpose
TD62082AP/CP/F/AF	10.5-k $\Omega$ + 7V Zenner diode	14~25V PMOS
TD62083AP/CP/F/AF	2.7k $\Omega$	TTL, 5V CMOS
TD62084AP/CP/F/AF	10.5k $\Omega$	6~15V PMOS, CMOS

### PIN CONNECTION (TOP VIEW)



© The information contained herein is presented only as a guide for the applications of our products. No responsibility is assumed by TOSHIBA CORPORATION for any infringements of intellectual property or other rights of the third parties which may result from its use. No license is granted by implication or otherwise under any intellectual property or other rights of TOSHIBA CORPORATION or others.

© These TOSHIBA products are intended for use in general commercial applications (office equipment, communication equipment, measuring equipment, domestic appliances, etc.). please make sure that you consult with us before you use these TOSHIBA products in equipment which requires extraordinarily high quality and/or reliability, and in equipment which may involve life threatening or critical application, including but not limited to such uses as atomic energy control, airplane or spaceship instrumentation, traffic signals, medical instrumentation, combustion control, all types of safety devices, etc. TOSHIBA cannot accept and hereby disclaims liability for any damage which may occur in case the TOSHIBA products are used in such equipment or applications without prior consultation with TOSHIBA.



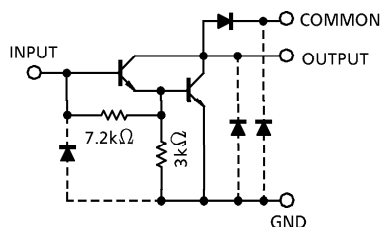
TD62081AP - 1

1995 - 5 - 29

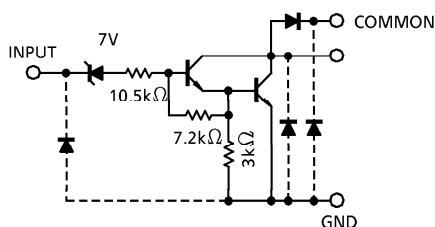
**TOSHIBA CORPORATION**

**SCHEMATICS (EACH DRIVER)**

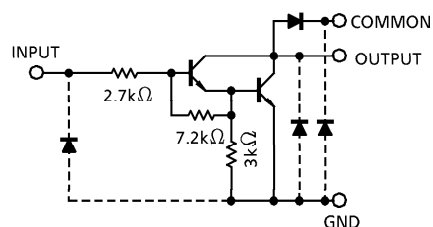
TD62081AP/CP/F/AF



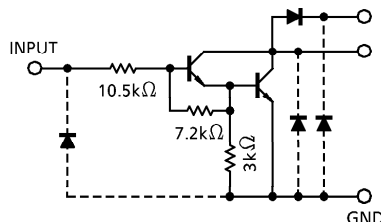
TD62082AP/CP/F/AF



TD62083AP/CP/F/AF



TD62084AP/CP/F/AF



(Note) The input and output parasitic diodes cannot be used as clamp diodes.

**MAXIMUM RATINGS (Ta = 25°C)**

CHARACTERISTIC		SYMBOL	RATING	UNIT
Output Sustaining Voltage	AP, AF	V <sub>CE (SUS)</sub>	- 0.5~50	V
	CP		- 0.5~100	
	F		- 0.5~35	
Output Current	CP	I <sub>OUT</sub>	500	mA / ch
			400	
Input Voltage		V <sub>IN</sub> (Note 1)	- 0.5~30	V
Input Current		I <sub>IN</sub> (Note 2)	25	mA
Clamp Diode Reverse Voltage	AP, AF	V <sub>R</sub>	50	V
	CP		100	
	F		35	
Clamp Diode Forward Current	CP	I <sub>F</sub>	500	mA
			400	
Power Dissipation	AP, CP	P <sub>D</sub>	1.47	W
	F, AF		0.96	
Operating Temperature		T <sub>opr</sub>	- 40~85	°C
Storage Temperature		T <sub>stg</sub>	- 55~150	°C

(Note 1) Except TD62081AP/CP/F/AF

(Note 2) Only TD62081AP/CP/F/AF

RECOMMENDED OPERATING CONDITIONS (Ta = -40~85°C)

CHARACTERISTIC		SYMBOL	TEST CONDITION	MIN.	TYP.	MAX.	UNIT
Output Sustaining Voltage	AP, AF	V <sub>CE (SUS)</sub>		0	—	50	V
	CP			0	—	100	
	F			0	—	35	
Output Current	AP, CP	I <sub>OUT</sub>	T <sub>pw</sub> = 25ms, Duty = 10%, 8 Circuits	0	—	347	mA / ch
			T <sub>pw</sub> = 25ms, Duty = 50%, 8 Circuits	0	—	123	
	F, AF		T <sub>pw</sub> = 25ms, Duty = 10%, 8 Circuits	0	—	268	
			T <sub>pw</sub> = 25ms, Duty = 50%, 8 Circuits	0	—	90	
Input Voltage	Except TD62081AP/ CP/F/AF	V <sub>IN</sub>		0	—	30	V
Input Voltage (Output On)	TD62082AP/ CP/F/AF	V <sub>IN (ON)</sub>		14	—	30	V
	TD62083AP/ CP/F/AF			3.5	—	30	
	TD62084AP/ CP/F/AF			8	—	30	
Input Current	Only TD62081AP/ CP/F/AF	I <sub>IN</sub>		0	—	5	mA
Clamp Diode Reverse Voltage	AP, AF	V <sub>R</sub>		—	—	50	V
	CP			—	—	100	
	F			—	—	35	
Clamp Diode Forward Current		I <sub>F</sub>		—	—	400	mA
	CP			—	—	320	
Power Dissipation	AP, CP	P <sub>D</sub>		—	—	0.52	W
	F, AF			—	—	0.4	

**ELECTRICAL CHARACTERISTICS** (Ta = 25°C)

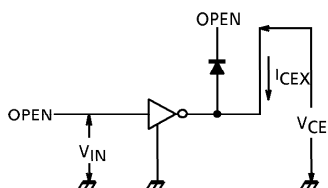
CHARACTERISTIC		SYMBOL	TEST CIRCUIT	TEST CONDITION	MIN.	TYP.	MAX.	UNIT	
Output Leakage Current	AP, AF CP F	I <sub>CEX</sub>	1	V <sub>CE</sub> = 50V	Ta = 25°C	—	—	50	
				V <sub>CE</sub> = 100V					
				V <sub>CE</sub> = 35V					
	AP, AF CP F			TD62082	V <sub>CE</sub> = 50V	Ta = 85°C	—	—	100
					V <sub>CE</sub> = 100V				
					V <sub>CE</sub> = 35V				
	AP, AF CP F			TD62084	V <sub>CE</sub> = 50V	V <sub>IN</sub> = 6V	—	—	500
					V <sub>CE</sub> = 100V				
					V <sub>CE</sub> = 35V				
	AP, AF CP F			TD62084	V <sub>CE</sub> = 50V	V <sub>IN</sub> = 1V	—	—	500
					V <sub>CE</sub> = 100V				
					V <sub>CE</sub> = 35V				
Collector-Emitter Saturation Voltage		V <sub>CE</sub> (sat)	2	I <sub>OUT</sub> = 350mA, I <sub>IN</sub> = 500μA	—	1.3	1.6	V	
				I <sub>OUT</sub> = 200mA, I <sub>IN</sub> = 350μA	—	1.1	1.3		
				I <sub>OUT</sub> = 100mA, I <sub>IN</sub> = 250μA	—	0.9	1.1		
Input Current	TD62082AP / CP / F / AF	I <sub>IN</sub> (ON)	2	V <sub>IN</sub> = 17V	—	0.82	1.25	mA	
	TD62083AP / CP / F / AF			V <sub>IN</sub> = 3.85V	—	0.93	1.35		
	TD62084AP / CP / F / AF			V <sub>IN</sub> = 5V	—	0.35	0.5		
				V <sub>IN</sub> = 12V	—	1.0	1.45		
		I <sub>IN</sub> (OFF)	4	I <sub>OUT</sub> = 500μA, Ta = 85°C	50	65	—	μA	
Input Voltage (Output On)	TD62082AP / CP / F / AF	V <sub>IN</sub> (ON)	5	V <sub>CE</sub> = 2V, I <sub>OUT</sub> = 300mA	—	—	13	V	
	TD62083AP / CP / F / AF			V <sub>CE</sub> = 2V, I <sub>OUT</sub> = 200mA	—	—	2.4		
				V <sub>CE</sub> = 2V, I <sub>OUT</sub> = 250mA	—	—	2.7		
	TD62084AP / CP / F / AF			V <sub>CE</sub> = 2V, I <sub>OUT</sub> = 300mA	—	—	3.0		
				V <sub>CE</sub> = 2V, I <sub>OUT</sub> = 125mA	—	—	5.0		
				V <sub>CE</sub> = 2V, I <sub>OUT</sub> = 200mA	—	—	6.0		
				V <sub>CE</sub> = 2V, I <sub>OUT</sub> = 275mA	—	—	7.0		
				V <sub>CE</sub> = 2V, I <sub>OUT</sub> = 350mA	—	—	8.0		
DC Current Transfer Ratio		h <sub>FE</sub>	2	V <sub>CE</sub> = 2V, I <sub>OUT</sub> = 350mA	1000	—	—		
Clamp Diode Reverse Current		I <sub>R</sub>	6	Ta = 25°C (Note)	—	—	50	μA	
				Ta = 85°C (Note)	—	—	100		
Clamp Diode Forward Voltage	CP	V <sub>F</sub>	7	I <sub>F</sub> = 350mA	—	—	2.0	V	
				I <sub>F</sub> = 280mA	—	—	1.8		
Input Capacitance		C <sub>IN</sub>	—		—	15	—	pF	

(Note) V<sub>R</sub> = V<sub>R</sub> MAX.

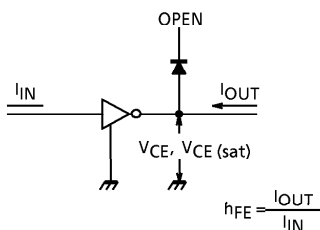
CHARACTERISTIC		SYMBOL	TEST CIRCUIT	TEST CONDITION	MIN.	TYP.	MAX.	UNIT
Turn-On Delay	AP, AF	$t_{ON}$	8	$R_L = 125\Omega, V_{OUT} = 50V$	—	0.1	—	$\mu s$
	CP			$R_L = 312\Omega, V_{OUT} = 100V$	—	0.1	—	
	F			$R_L = 87.5\Omega, V_{OUT} = 35V$	—	0.1	—	
Turn-Off Delay	AP, AF	$t_{OFF}$		$R_L = 125\Omega, V_{OUT} = 50V$	—	0.2	—	
	CP			$R_L = 312\Omega, V_{OUT} = 100V$	—	3.0	—	
	F			$R_L = 87.5\Omega, V_{OUT} = 35V$	—	0.2	—	

**TEST CIRCUIT**

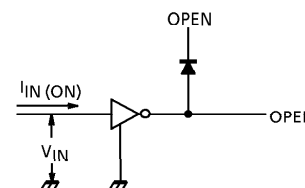
1.  $I_{CEX}$



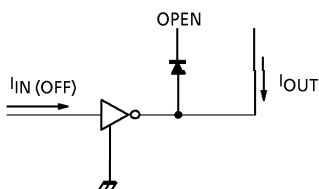
2.  $V_{CE(sat)}, h_{FE}$



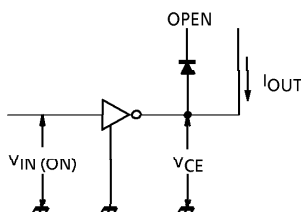
3.  $I_{IN(ON)}$



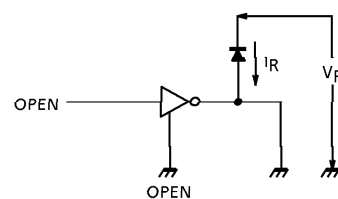
4.  $I_{IN(OFF)}$



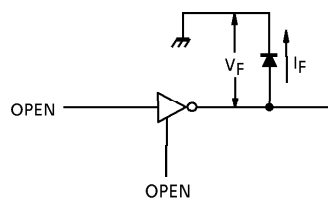
5.  $V_{IN(ON)}$



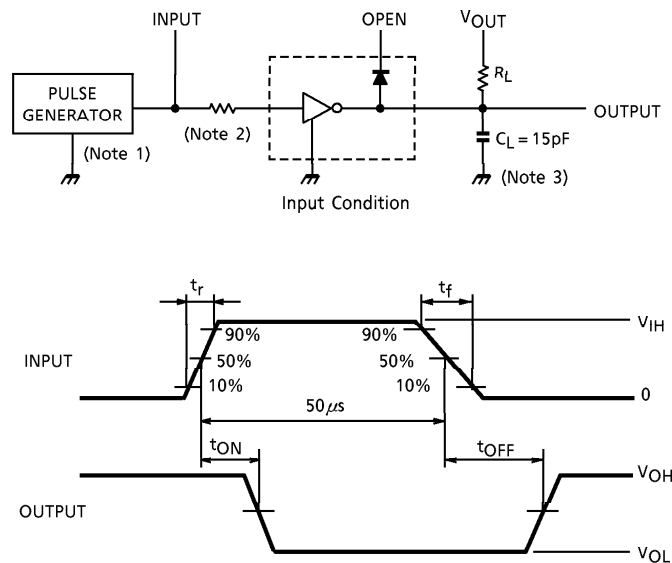
6.  $I_R$



7.  $V_F$



8.  $t_{ON}$ ,  $t_{OFF}$

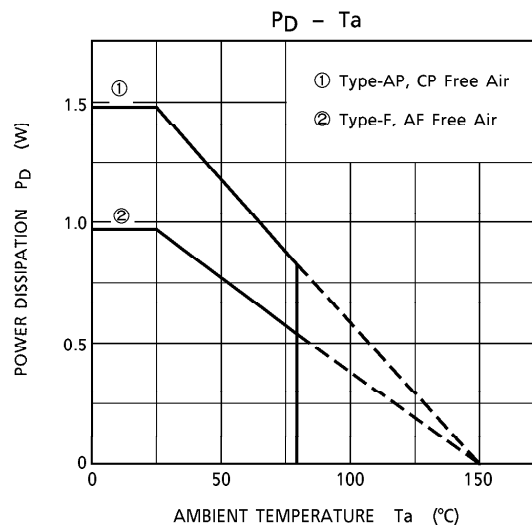
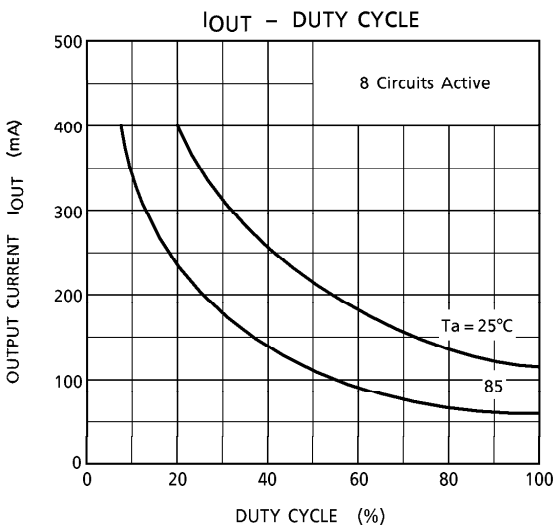
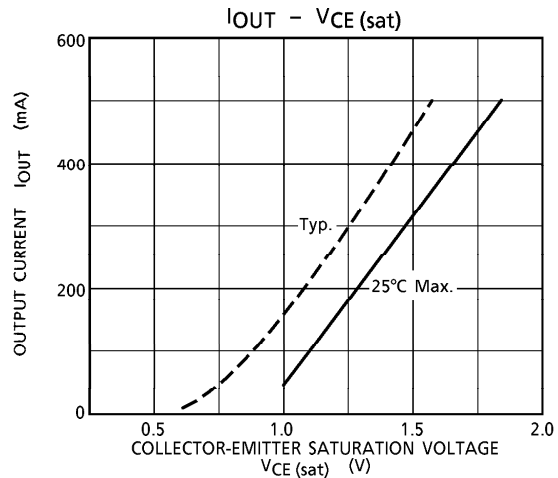
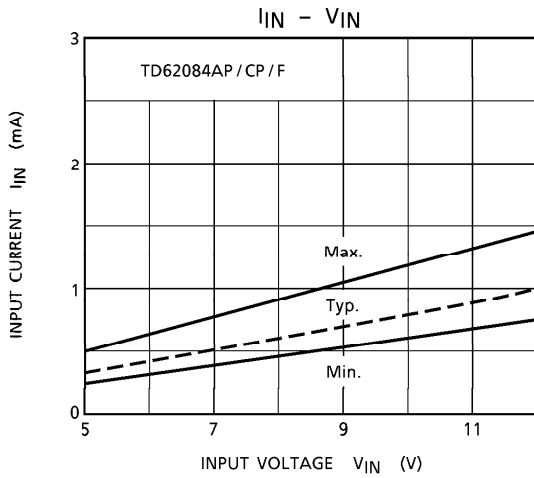
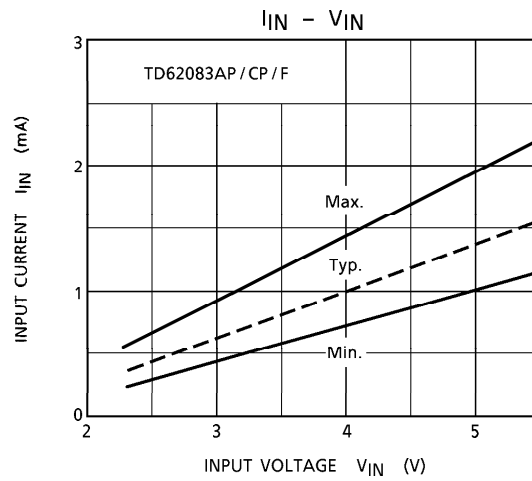
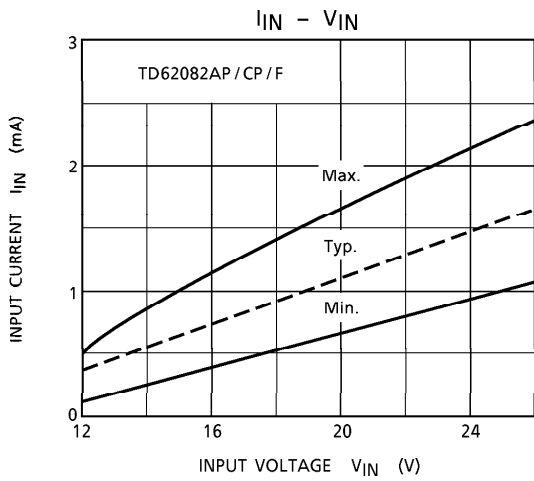


- (Note 1) Pulse Width  $50\mu s$ , Duty Cycle 10%  
Output Impedance  $50\Omega$ ,  $t_r \leq 5ns$ ,  $t_f \leq 10ns$   
(Note 2) See below.

INPUT CONDITION

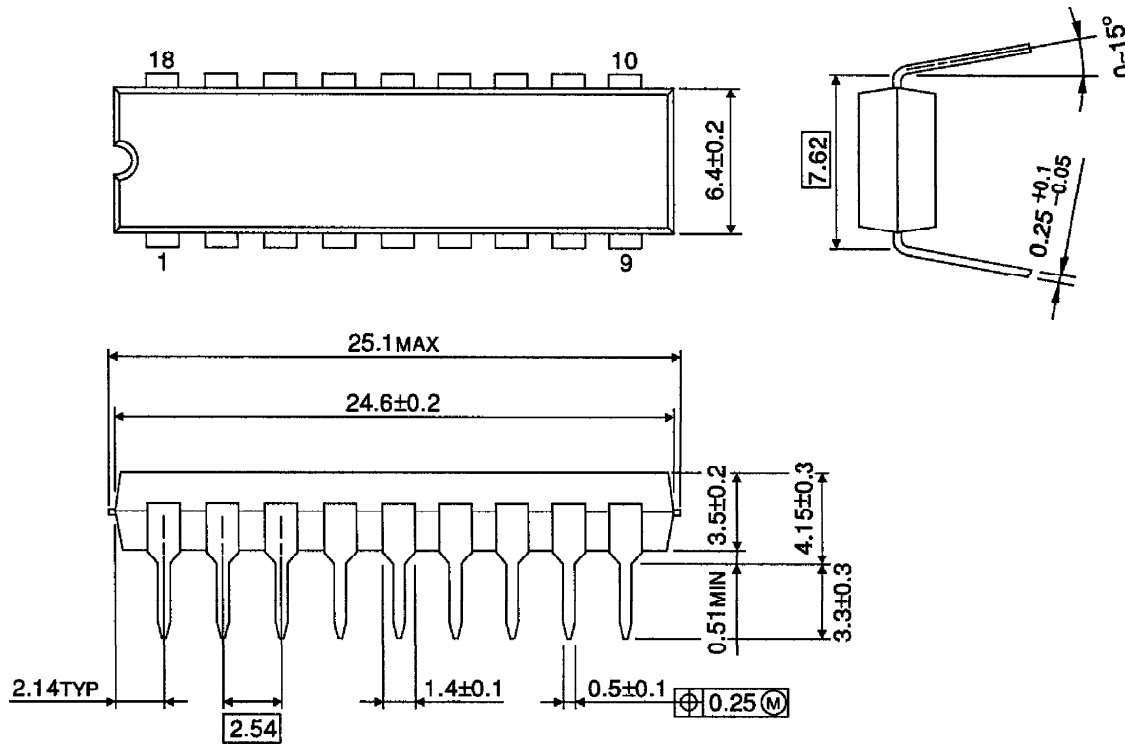
TYPE NUMBER	R1	$V_{IH}$
TD62081AP/CP/F/AF	$2.7k\Omega$	3V
TD62082AP/CP/F/AF	$0\Omega$	13V
TD62083AP/CP/F/AF	$0\Omega$	3V
TD62084AP/CP/F/AF	$0\Omega$	8V

- (Note 3)  $C_L$  includes probe and jig capacitance



OUTLINE DRAWING  
DIP18-P-300D

Unit : mm

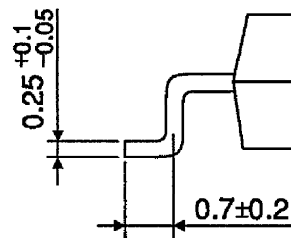
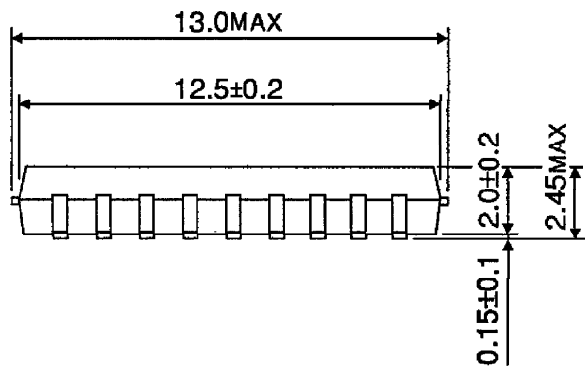
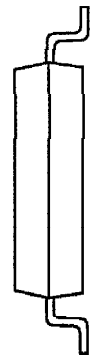
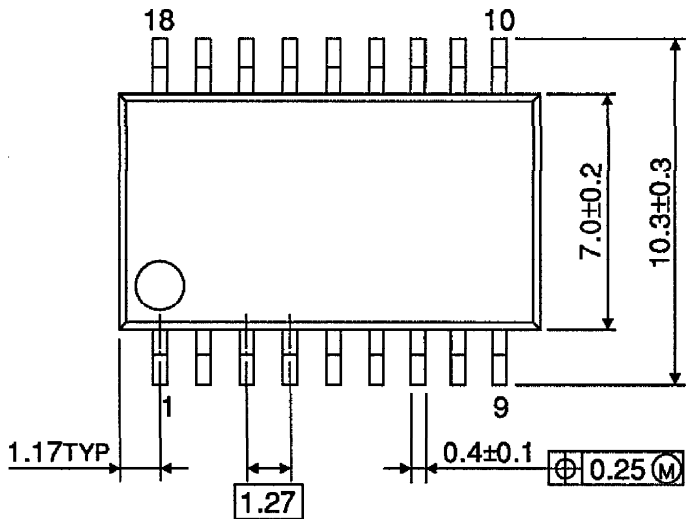


Weight : 1.478g (Typ.)



OUTLINE DRAWING  
SOP18-P-375

Unit : mm



Weight : 0.41g (Typ.)