



CAT28F256

256K-Bit CMOS Flash Memory

**Licensed Intel
second source**

FEATURES

- Fast Read Access Time: 90/120/150 ns
- Low Power CMOS Dissipation:
 - Active: 30 mA max (CMOS/TTL levels)
 - Standby: 1 mA max (TTL levels)
 - Standby: 100 μ A max (CMOS levels)
- High Speed Programming:
 - 10 μ s per byte
 - 0.5 Sec Typ Chip Program
- 12.0V \pm 5% Programming and Erase Voltage
- Commercial and Industrial Temperature Ranges
- Stop Timer for Program/Erase
- On-Chip Address and Data Latches
- JEDEC Standard Pinouts:
 - 32-pin DIP
 - 32-pin PLCC
 - 32-pin TSOP (8 x 14; 8 x 20)
- 100,000 Program/Erase Cycles
- 10 Year Data Retention
- Electronic Signature

DESCRIPTION

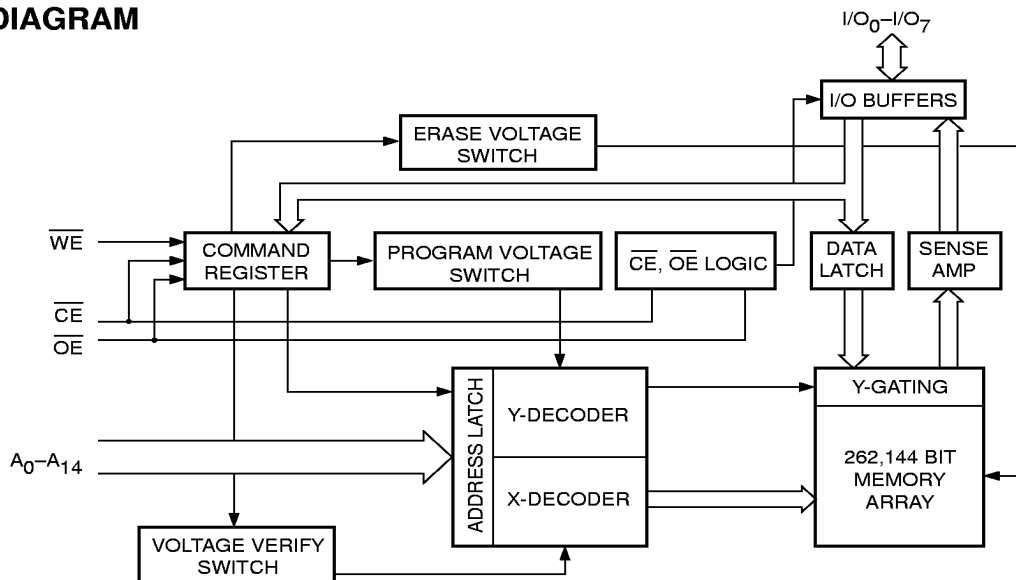
The CAT28F256 is a high speed 32K x 8-bit electrically erasable and reprogrammable Flash memory ideally suited for applications requiring in-system or after-sale code updates. Electrical erasure of the full memory contents is achieved typically within 0.5 second.

It is Read timing compatible with standard EPROM and E²PROM devices. Programming and Erase are performed through an operation and verify algorithm. The instructions are input via the I/O bus, using a two write

cycle scheme. Address and Data are latched to free the I/O bus and address bus during the write operation.

The CAT28F256 is manufactured using Catalyst's advanced CMOS floating gate technology. It is designed to endure 100,000 program/erase cycles and has a data retention of 10 years. The device is available in JEDEC approved 32-pin plastic DIP, 32-pin PLCC or 32-pin TSOP packages.

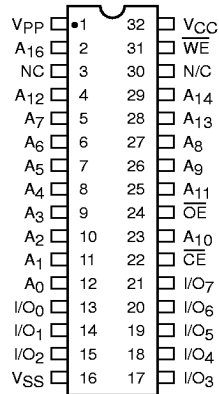
BLOCK DIAGRAM



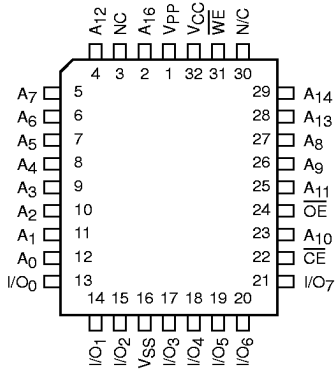
28F256 F01

PIN CONFIGURATION

DIP Package (P)



PLCC Package (N)



28F256 F02

PIN FUNCTIONS

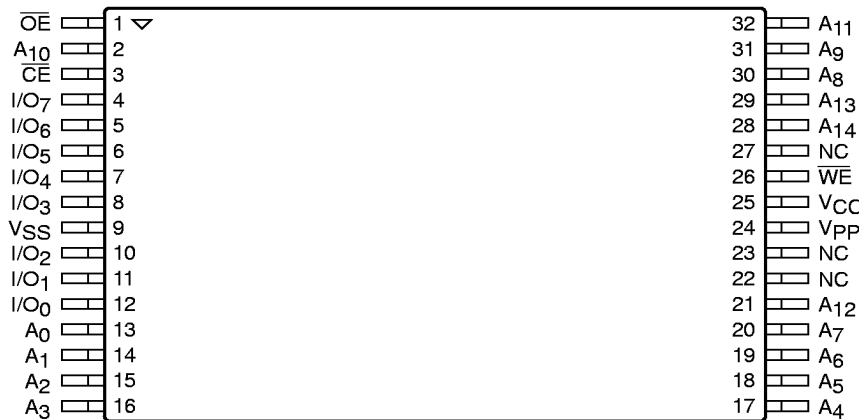
| Pin Name | Type | Function |
|------------------------------------|-------|--------------------------------------|
| A ₀ -A ₁₄ | Input | Address Inputs for memory addressing |
| I/O ₀ -I/O ₇ | I/O | Data Input/Output |
| CE | Input | Chip Enable |
| OE | Input | Output Enable |
| WE | Input | Write Enable |
| VCC | | Voltage Supply |
| VSS | | Ground |
| VPP | | Program/Erase Voltage Supply |

TSOP Package (Standard Pinout 8mm x 20mm) (T)

TSOP Package (Standard Pinout 8mm x 14mm) (T14)



TSOP Package (Reverse Pinout) (TR)



28F256 F03

ABSOLUTE MAXIMUM RATINGS*

Temperature Under Bias -55°C to +95°C
 Storage Temperature -65°C to +150°C
 Voltage on Any Pin with
 Respect to Ground⁽¹⁾ -2.0V to +V_{CC} + 2.0V
 Voltage on Pin A₉ with
 Respect to Ground⁽¹⁾ -2.0V to +13.5V
 V_{PP} with Respect to Ground
 during Program/Erase⁽¹⁾ -2.0V to +14.0V
 V_{CC} with Respect to Ground⁽¹⁾ -2.0V to +7.0V
 Package Power Dissipation
 Capability (T_A = 25°C) 1.0 W
 Lead Soldering Temperature (10 secs) 300°C
 Output Short Circuit Current⁽²⁾ 100 mA

***COMMENT**

Stresses above those listed under “Absolute Maximum Ratings” may cause permanent damage to the device. These are stress ratings only, and functional operation of the device at these or any other conditions outside of those listed in the operational sections of this specification is not implied. Exposure to any absolute maximum rating for extended periods may affect device performance and reliability.

RELIABILITY CHARACTERISTICS

| Symbol | Parameter | Min. | Max. | Units | Test Method |
|------------------------------------|--------------------|------|------|-------------|-------------------------------|
| N _{END} ⁽³⁾ | Endurance | 100K | | Cycles/Byte | MIL-STD-883, Test Method 1033 |
| T _{DR} ⁽³⁾ | Data Retention | 10 | | Years | MIL-STD-883, Test Method 1008 |
| V _{ZAP} ⁽³⁾ | ESD Susceptibility | 2000 | | Volts | MIL-STD-883, Test Method 3015 |
| I _{LTH} ⁽³⁾⁽⁴⁾ | Latch-Up | 100 | | mA | JEDEC Standard 17 |

CAPACITANCE T_A = 25°C, f = 1.0 MHz

| Symbol | Test | Limits | | Units | Conditions |
|---------------------------------|------------------------------------|--------|------|-------|-----------------------|
| | | Min | Max. | | |
| C _{IN} ⁽³⁾ | Input Pin Capacitance | | 6 | pF | V _{IN} = 0V |
| C _{OUT} ⁽³⁾ | Output Pin Capacitance | | 10 | pF | V _{OUT} = 0V |
| C _{VPP} ⁽³⁾ | V _{PP} Supply Capacitance | | 25 | pF | V _{PP} = 0V |

Note:

- (1) The minimum DC input voltage is -0.5V. During transitions, inputs may undershoot to -2.0V for periods of less than 20 ns. Maximum DC voltage on output pins is V_{CC} + 0.5V, which may overshoot to V_{CC} + 2.0V for periods of less than 20ns.
- (2) Output shorted for no more than one second. No more than one output shorted at a time.
- (3) This parameter is tested initially and after a design or process change that affects the parameter.
- (4) Latch-up protection is provided for stresses up to 100 mA on address and data pins from -1V to V_{CC} + 1V.

D.C. OPERATING CHARACTERISTICS

$V_{CC} = +5V \pm 10\%$, unless otherwise specified.

| Symbol | Parameter | Limits | | | Test Conditions |
|-----------------|--------------------------------------|--------------------|--------------|---------|---|
| | | Min. | Max. | Unit | |
| I_{LI} | Input Leakage Current | | ± 1 | μA | $V_{IN} = V_{CC}$ or V_{SS} $V_{CC} = 5.5V, \overline{OE} = V_{IH}$ |
| I_{LO} | Output Leakage Current | | ± 1 | μA | $V_{OUT} = V_{CC}$ or V_{SS} , $V_{CC} = 5.5V, \overline{OE} = V_{IH}$ |
| I_{SB1} | V_{CC} Standby Current CMOS | | 100 | μA | $\overline{CE} = V_{CC} \pm 0.5V$, $V_{CC} = 5.5V$ |
| I_{SB2} | V_{CC} Standby Current TTL | | 1 | mA | $\overline{CE} = V_{IH}, V_{CC} = 5.5V$ |
| I_{CC1} | V_{CC} Active Read Current | | 30 | mA | $V_{CC} = 5.5V, \overline{CE} = V_{IL}$, $I_{OUT} = 0mA, f = 6 MHz$ |
| $I_{CC2}^{(1)}$ | V_{CC} Programming Current | | 15 | mA | $V_{CC} = 5.5V$, Programming in Progress |
| $I_{CC3}^{(1)}$ | V_{CC} Erase Current | | 15 | mA | $V_{CC} = 5.5V$, Erase in Progress |
| $I_{CC4}^{(1)}$ | V_{CC} Prog./Erase Verify Current | | 15 | mA | $V_{CC} = 5.5V$, Program or Erase Verify in Progress |
| I_{PPS} | V_{PP} Standby Current | | ± 10 | μA | $V_{PP} = V_{PPL}$ |
| I_{PP1} | V_{PP} Read Current | | 200 | μA | $V_{PP} = V_{PPH}$ |
| $I_{PP2}^{(1)}$ | V_{PP} Programming Current | | 30 | mA | $V_{PP} = V_{PPH}$, Programming in Progress |
| $I_{PP3}^{(1)}$ | V_{PP} Erase Current | | 30 | mA | $V_{PP} = V_{PPH}$, Erase in Progress |
| $I_{PP4}^{(1)}$ | V_{PP} Prog./Erase Verify Current | | 5 | mA | $V_{PP} = V_{PPH}$, Program or Erase Verify in Progress |
| V_{IL} | Input Low Level TTL | -0.5 | 0.8 | V | |
| V_{ILC} | Input Low Level CMOS | -0.5 | 0.8 | V | |
| V_{OL} | Output Low Level | | 0.45 | V | $I_{OL} = 5.8mA, V_{CC} = 4.5V$ |
| V_{IH} | Input High Level TTL | 2 | $V_{CC}+0.5$ | V | |
| V_{IHC} | Input High Level CMOS | $V_{CC} \cdot 0.7$ | $V_{CC}+0.5$ | V | |
| V_{OH1} | Output High Level TTL | 2.4 | | V | $I_{OH} = -2.5mA, V_{CC} = 4.5V$ |
| V_{OH2} | Output High Level CMOS | $V_{CC}-0.4$ | | V | $I_{OH} = -400\mu A, V_{CC} = 4.5V$ |
| V_{ID} | A_9 Signature Voltage | 11.4 | 13 | V | $A_9 = V_{ID}$ |
| $I_{ID}^{(1)}$ | A_9 Signature Current | | 200 | μA | $A_9 = V_{ID}$ |
| V_{LO} | V_{CC} Erase/Prog. Lockout Voltage | 2.5 | | V | |

Note:

(1) This parameter is tested initially and after a design or process change that affects the parameter.

SUPPLY CHARACTERISTICS

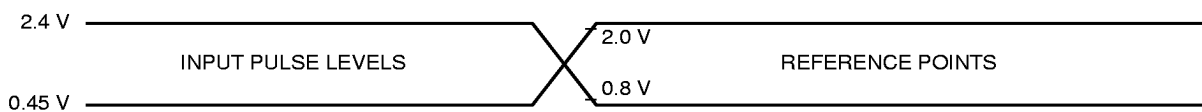
| Symbol | Parameter | Limits | | Unit |
|------------------|---|--------|------|------|
| | | Min | Max. | |
| V _{CC} | V _{CC} Supply Voltage | 4.5 | 5.5 | V |
| V _{PPL} | V _{PP} During Read Operations | 0 | 6.5 | V |
| V _{PPH} | V _{PP} During Read/Erase/Program | 11.4 | 12.6 | V |

A.C. CHARACTERISTICS, Read Operation

V_{CC} = +5V ±10%, unless otherwise specified.

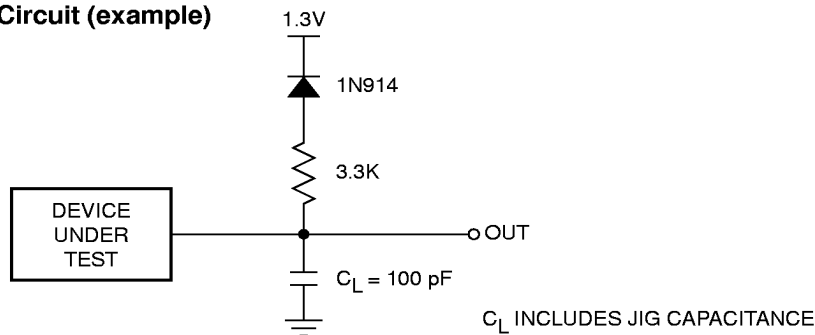
| JEDEC Symbol | Standard Symbol | Parameter | 28F256-90 | | 28F256-12 | | 28F256-15 | | Unit |
|----------------------------------|------------------------------------|---|-----------|------|-----------|------|-----------|------|------|
| | | | Min. | Max. | Min. | Max. | Min. | Max. | |
| t _{AVAV} | t _{RC} | Read Cycle Time | 90 | | 120 | | 150 | | ns |
| t _{ELQV} | t _{CE} | \overline{CE} Access Time | | 90 | | 120 | | 150 | ns |
| t _{AVQV} | t _{ACC} | Address Access Time | | 90 | | 120 | | 150 | ns |
| t _{GLQV} | t _{OE} | \overline{OE} Access Time | | 35 | | 50 | | 55 | ns |
| t _{AXQX} | t _{OH} | Output Hold from Address $\overline{OE}/\overline{CE}$ Change | 0 | | 0 | | 0 | | ns |
| t _{GLQX} | t _{OLZ} ⁽¹⁾⁽⁶⁾ | \overline{OE} to Output in Low-Z | 0 | | 0 | | 0 | | ns |
| t _{ELQX} | t _{LZ} ⁽¹⁾⁽⁶⁾ | \overline{CE} to Output in Low-Z | 0 | | 0 | | 0 | | ns |
| t _{GHQZ} | t _{DF} ⁽¹⁾⁽²⁾ | \overline{OE} High to Output High-Z | | 20 | | 30 | | 35 | ns |
| t _{EHQZ} | t _{DF} ⁽¹⁾⁽²⁾ | \overline{CE} High to Output High-Z | | 30 | | 40 | | 45 | ns |
| t _{WHGL} ⁽¹⁾ | - | Write Recovery Time Before Read | 6 | | 6 | | 6 | | μs |

Figure 1. A.C. Testing Input/Output Waveform⁽³⁾⁽⁴⁾⁽⁵⁾



5108 FHD F03

Figure 2. A.C. Testing Load Circuit (example)



C_L INCLUDES JIG CAPACITANCE

5108 FHD F04

Note:

- (1) This parameter is tested initially and after a design or process change that affects the parameter.
- (2) Output floating (High-Z) is defined as the state where the external data line is no longer driven by the output buffer.
- (3) Input Rise and Fall Times (10% to 90%) < 10 ns.
- (4) Input Pulse Levels = 0.45V and 2.4V.
- (5) Input and Output Timing Reference = 0.8V and 2.0V.
- (6) Low-Z is defined as the state where the external data may be driven by the output buffer but may not be valid.

A.C. CHARACTERISTICS, Program/Erase Operation

$V_{CC} = +5V \pm 10\%$, unless otherwise specified.

| JEDEC Symbol | Standard Symbol | Parameter | 28F256-90 | | 28F256-12 | | 28F256-15 | | Unit |
|-----------------------------------|------------------|---|-----------|------|-----------|------|-----------|------|------|
| | | | Min. | Max. | Min. | Max. | Min. | Max. | |
| t _{AVAV} | t _{WC} | Write Cycle Time | 90 | | 120 | | 150 | | ns |
| t _{AVWL} | t _{AS} | Address Setup Time | 0 | | 0 | | 0 | | ns |
| t _{WLAX} | t _{AH} | Address Hold Time | 40 | | 40 | | 40 | | ns |
| t _{DVWH} | t _{DS} | Data Setup Time | 40 | | 40 | | 40 | | ns |
| t _{WHDX} | t _{DH} | Data Hold Time | 10 | | 10 | | 10 | | ns |
| t _{ELWL} | t _{CS} | \overline{CE} Setup Time | 0 | | 0 | | 0 | | ns |
| t _{WHEH} | t _{CH} | \overline{CE} Hold Time | 0 | | 0 | | 0 | | ns |
| t _{WLWH} | t _{WP} | \overline{WE} Pulse Width | 40 | | 40 | | 40 | | ns |
| t _{WHWL} | t _{WPH} | \overline{WE} High Pulse Width | 20 | | 20 | | 20 | | ns |
| t _{WHWH1} ⁽²⁾ | - | Program Pulse Width | 10 | | 10 | | 10 | | μs |
| t _{WHWH2} ⁽²⁾ | - | Erase Pulse Width | 9.5 | | 9.5 | | 9.5 | | ms |
| t _{WHGL} | - | Write Recovery Time Before Read | 6 | | 6 | | 6 | | μs |
| t _{GHWL} | - | Read Recovery Time Before Write | 0 | | 0 | | 0 | | μs |
| t _{VPEL} | - | V _{PP} Setup Time to \overline{CE} | 100 | | 100 | | 100 | | ns |

ERASE AND PROGRAMMING PERFORMANCE⁽¹⁾

| Parameter | 28F256-90 | | | 28F256-12 | | | 28F256-15 | | | Unit |
|-------------------------------------|-----------|------|------|-----------|------|------|-----------|------|------|------|
| | Min. | Typ. | Max. | Min. | Typ. | Max. | Min. | Typ. | Max. | |
| Chip Erase Time ⁽³⁾⁽⁵⁾ | | 0.5 | 10 | | 0.5 | 10 | | 0.5 | 10 | sec |
| Chip Program Time ⁽³⁾⁽⁴⁾ | | 0.5 | 3 | | 0.5 | 3 | | 0.5 | 3 | sec |

Note:

- (1) Please refer to Supply characteristics for the value of V_{PPH} and V_{PLL}. The V_{PP} supply can be either hardwired or switched. If V_{PP} is switched, V_{PLL} can be ground, less than V_{CC} + 2.0V or a no connect with a resistor tied to ground.
- (2) Program and Erase operations are controlled by internal stop timers.
- (3) 'Typicals' are not guaranteed, but based on characterization data. Data taken at 25°C, 12.0V V_{PP}.
- (4) Minimum byte programming time (excluding system overhead) is 16 μs (10 μs program + 6 μs write recovery), while maximum is 400 μs/byte (16 μs x 25 loops). Max chip programming time is specified lower than the worst case allowed by the programming algorithm since most bytes program significantly faster than the worst case byte.
- (5) Excludes 00H Programming prior to Erasure.

FUNCTION TABLE⁽¹⁾

| Mode | Pins | | | | | Notes |
|--------------------|-----------------|-----------------|-----------------|-------------------|------------------|---|
| | \overline{CE} | \overline{OE} | \overline{WE} | V _{PP} | I/O | |
| Read | V _{IL} | V _{IL} | V _{IH} | V _{PP} L | D _{OUT} | |
| Output Disable | V _{IL} | V _{IH} | V _{IH} | X | High-Z | |
| Standby | V _{IH} | X | X | V _{PP} L | High-Z | |
| Signature (MFG) | V _{IL} | V _{IL} | V _{IH} | X | 31H | A ₀ = V _{IL} , A ₉ = 12V |
| Signature (Device) | V _{IL} | V _{IL} | V _{IH} | X | B9H | A ₀ = V _{IH} , A ₉ = 12V |
| Program/Erase | V _{IL} | V _{IH} | V _{IL} | V _{PP} H | D _{IN} | See Command Table |
| Write Cycle | V _{IL} | V _{IH} | V _{IL} | V _{PP} H | D _{IN} | During Write Cycle |
| Read Cycle | V _{IL} | V _{IL} | V _{IH} | V _{PP} H | D _{OUT} | During Write Cycle |

WRITE COMMAND TABLE

Commands are written into the command register in one or two write cycles. The command register can be altered only when V_{PP} is high and the instruction byte is latched on the rising edge of \overline{WE} . Write cycles also internally latch addresses and data required for programming and erase operations.

| Mode | Pins | | | | | | |
|--------------------|-----------------|-----------------|-----------------|------------------|-----------------|-----------------|------------------|
| | First Bus Cycle | | | Second Bus Cycle | | | |
| | Operation | Address | D _{IN} | Operation | Address | D _{IN} | D _{OUT} |
| Set Read | Write | X | 00H | Read | A _{IN} | | D _{OUT} |
| Read Sig. (MFG) | Write | X | 90H | Read | 00 | | 31H |
| Read Sig. (Device) | Write | X | 90H | Read | 01 | | B9H |
| Erase | Write | X | 20H | Write | X | 20H | |
| Erase Verify | Write | A _{IN} | A0H | Read | X | | D _{OUT} |
| Program | Write | X | 40H | Write | A _{IN} | D _{IN} | |
| Program Verify | Write | X | C0H | Read | X | | D _{OUT} |
| Reset | Write | X | FFH | Write | X | FFH | |

Note:

(1) Logic Levels: X = Logic 'Do not care' (V_{IH}, V_{IL}, V_{PP}L, V_{PP}H)

READ OPERATIONS

Read Mode

A Read operation is performed with both \overline{CE} and \overline{OE} low and with \overline{WE} high. V_{PP} can be either high or low, however, if V_{PP} is high, the Set READ command has to be sent before reading data (see Write Operations). The data retrieved from the I/O pins reflects the contents of the memory location corresponding to the state of the 15 address pins. The respective timing waveforms for the read operation are shown in Figure 3. Refer to the AC Read characteristics for specific timing parameters.

Signature Mode

The signature mode allows the user to identify the IC manufacturer and the type of device while the device resides in the target system. This mode can be activated in either of two ways; through the conventional method of applying a high voltage (12V) to address pin A_9 or by sending an instruction to the command register (see Write Operations).

The conventional mode is entered as a regular READ mode by driving the \overline{CE} and \overline{OE} pins low (with \overline{WE} high), and applying the required high voltage on address pin A_9 while all other address lines are held at V_{IL} .

A Read cycle from address 0000H retrieves the binary code for the IC manufacturer on outputs I/O₀ to I/O₇:

$$\text{CATALYST Code} = 00110001 \text{ (31H)}$$

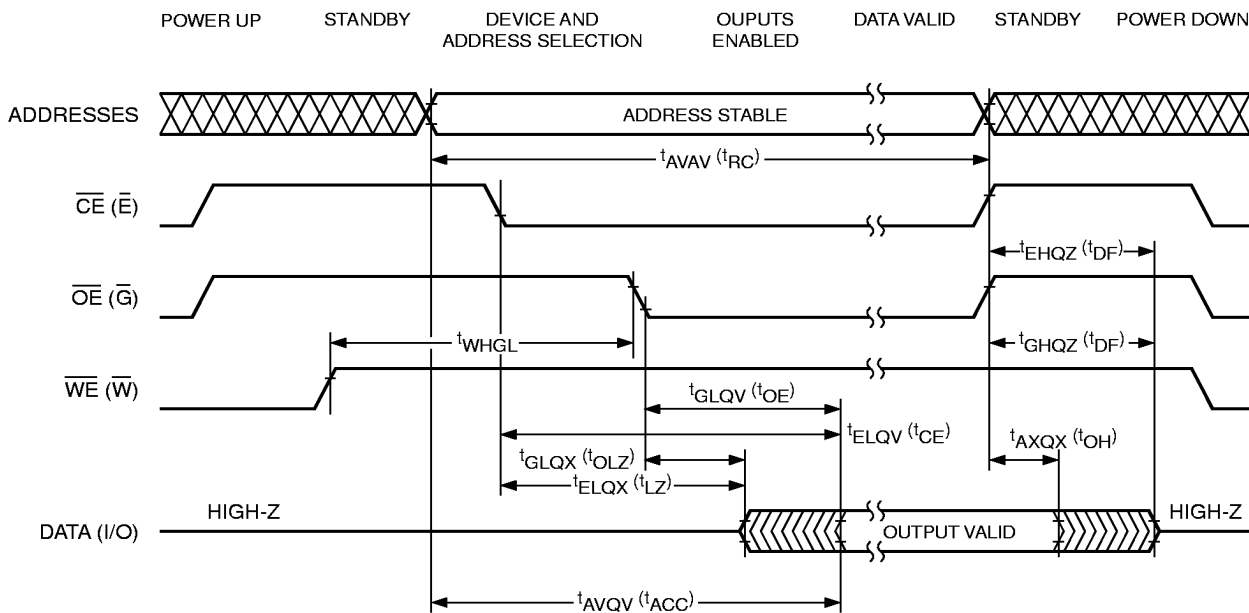
A Read cycle from address 0001H retrieves the binary code for the device on outputs I/O₀ to I/O₇.

$$\text{28F256 Code} = 1011\ 1001 \text{ (B9H)}$$

Standby Mode

With \overline{CE} at a logic-high level, the CAT28F256 is placed in a standby mode where most of the device circuitry is disabled, thereby substantially reducing power consumption. The outputs are placed in a high-impedance state.

Figure 3. A.C. Timing for Read Operation



28F256 F06

WRITE OPERATIONS

The following operations are initiated by observing the sequence specified in the Write Command Table.

Read Mode

The device can be put into a standard READ mode by initiating a write cycle with 00H on the data bus. The subsequent read cycles will be performed similar to a standard EPROM or E²PROM Read.

Signature Mode

An alternative method for reading device signature (see Read Operations Signature Mode), is initiated by writing the code 90H into the command register while keeping V_{PP} high. A read cycle from address 0000H with \overline{CE} and \overline{OE} low (and \overline{WE} high) will output the device signature.

CATALYST Code = 00110001 (31H)

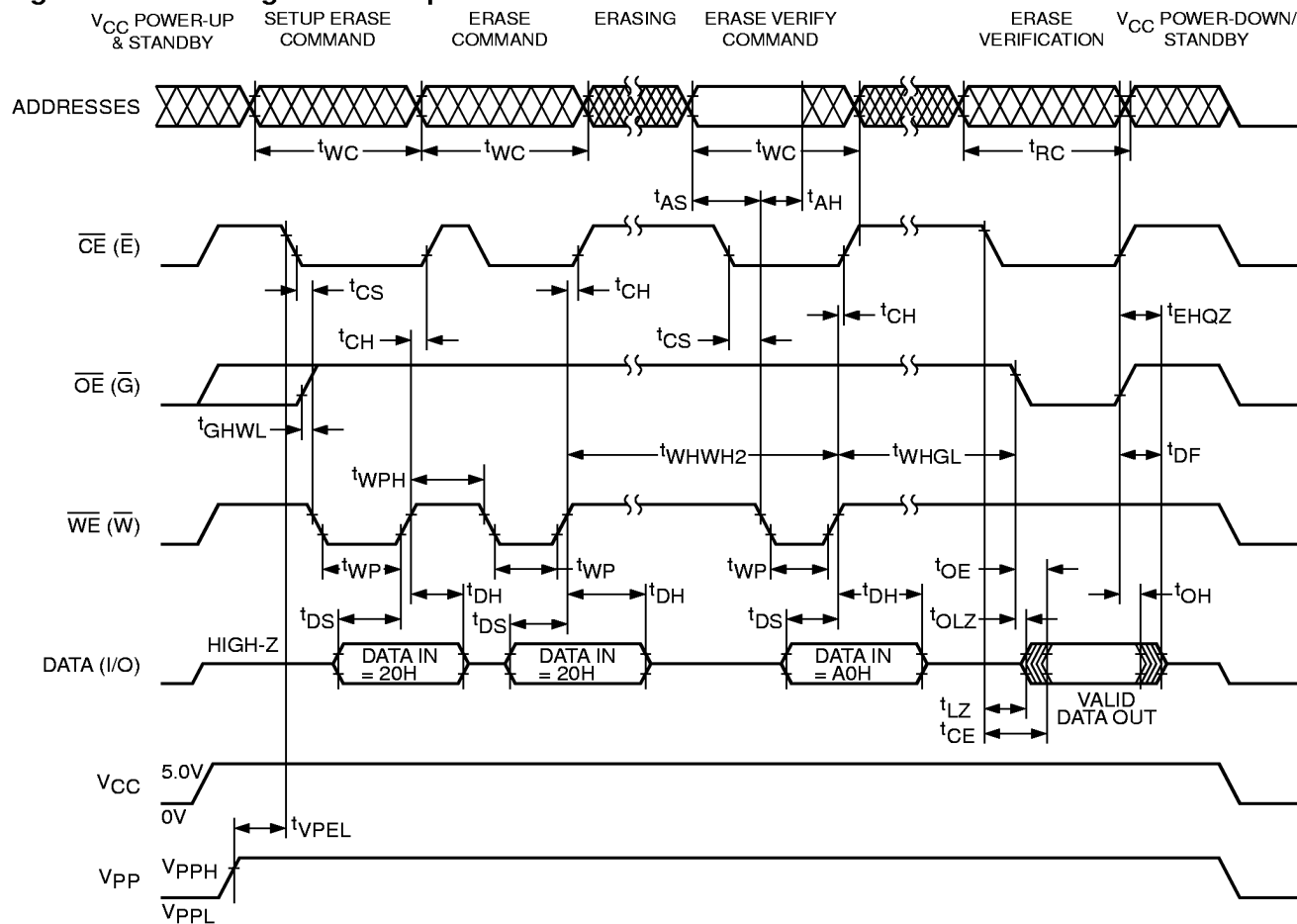
A Read cycle from address 0001H retrieves the binary code for the device on outputs I/O₀ to I/O₇.

28F256 Code = 1011 1001 (B9H)

Erase Mode

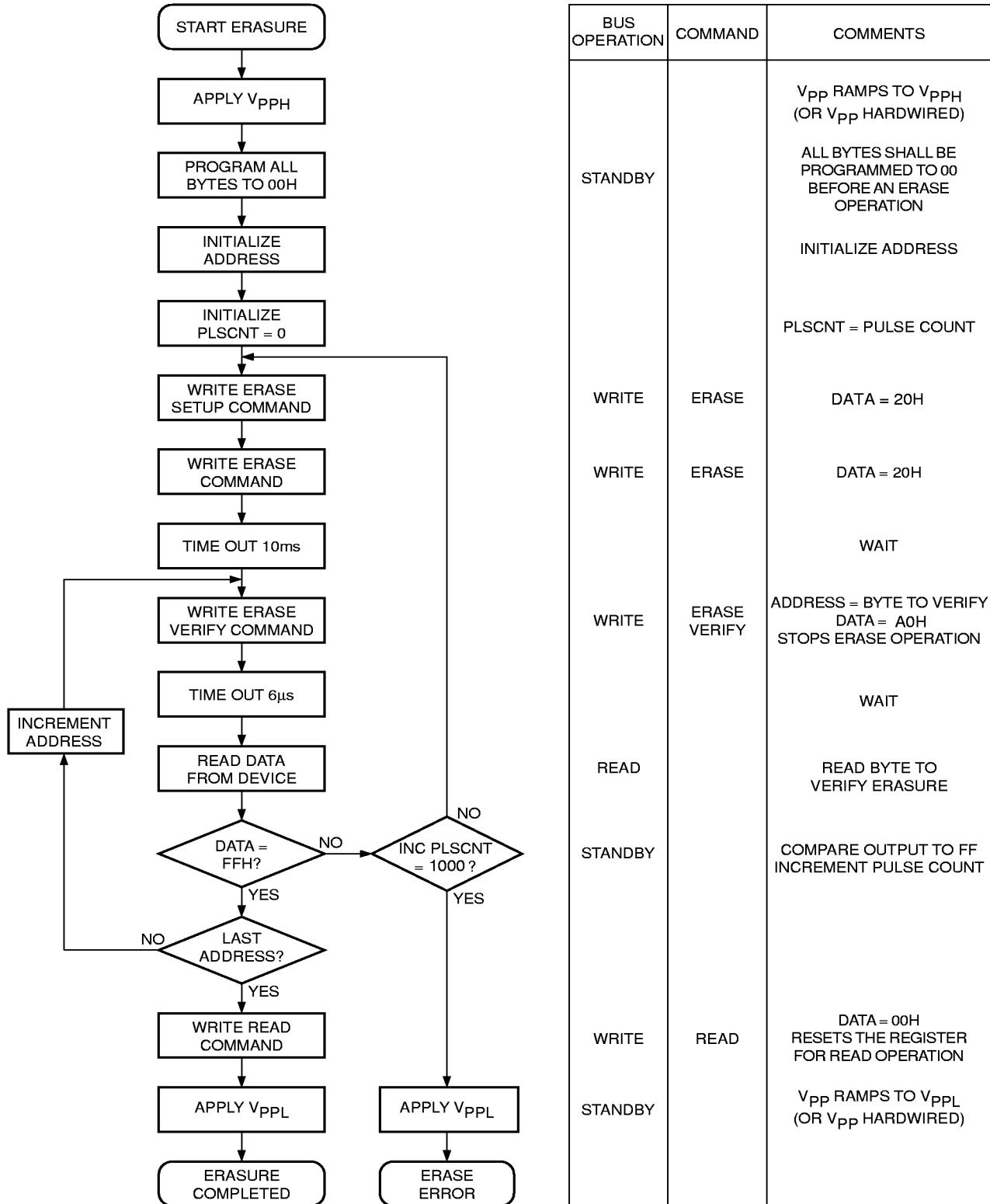
During the first Write cycle, the command 20H is written into the command register. In order to commence the erase operation, the identical command of 20H has to be written again into the register. This two-step process ensures against accidental erasure of the memory contents. The final erase cycle will be stopped at the rising edge of \overline{WE} , at which time the Erase Verify command (A0H) is sent to the command register. During this cycle, the address to be verified is sent to the address bus and latched when \overline{WE} goes low. An integrated stop timer allows for automatic timing control over this operation, eliminating the need for a maximum erase timing specification. Refer to AC Characteristics (Program/Erase) for specific timing parameters.

Figure 4. A.C. Timing for Erase Operation



28F256 F11

Figure 5. Chip Erase Algorithm⁽¹⁾



Note:

(1) The algorithm MUST BE FOLLOWED to ensure proper and reliable operation of the device.

5108 FHD F10

Stock No. 21054-02 4/97

Erase-Verify Mode

The Erase-verify operation is performed on every byte after each erase pulse to verify that the bits have been erased.

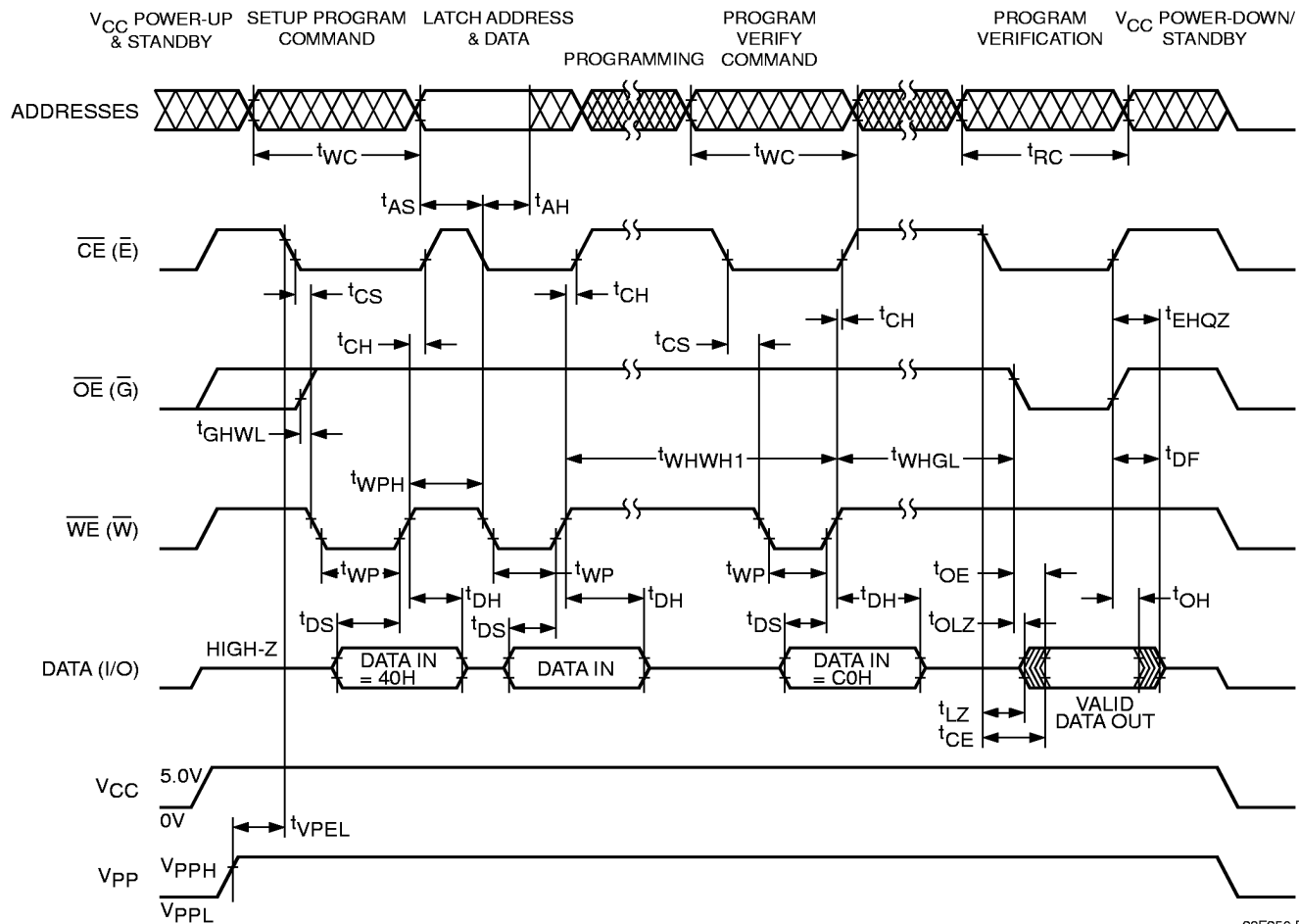
Programming Mode

The programming operation is initiated using the programming algorithm of Figure 7. During the first write cycle, the command 40H is written into the command register. During the second write cycle, the address of the memory location to be programmed is latched on the falling edge of WE, while the data is latched on the rising edge of WE. The program operation terminates with the next rising edge of WE. An integrated stop timer allows for automatic timing control over this operation, eliminating the need for a maximum program timing specification. Refer to AC Characteristics (Program/Erase) for specific timing parameters.

Program-Verify Mode

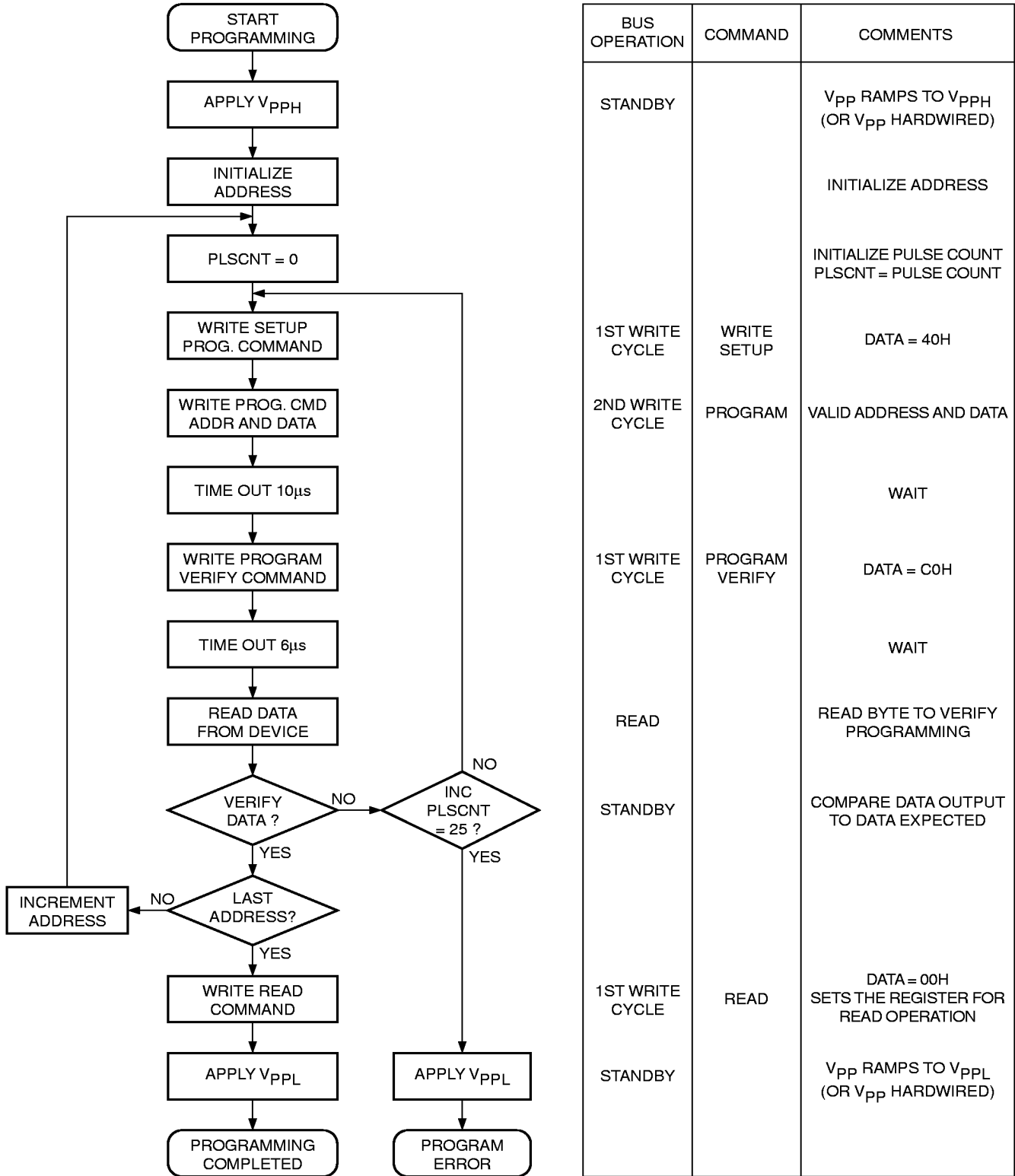
A Program-verify cycle is performed to ensure that all bits have been correctly programmed following each byte programming operation. The specific address is already latched from the write cycle just completed, and stays latched until the verify is completed. The Program-verify operation is initiated by writing C0H into the command register. An internal reference generates the necessary high voltages so that the user does not need to modify VCC. Refer to AC Characteristics (Program/Erase) for specific timing parameters.

Figure 6. A.C. Timing for Programming Operation



28F256 F08

Figure 7. Programming Algorithm⁽¹⁾



Note:

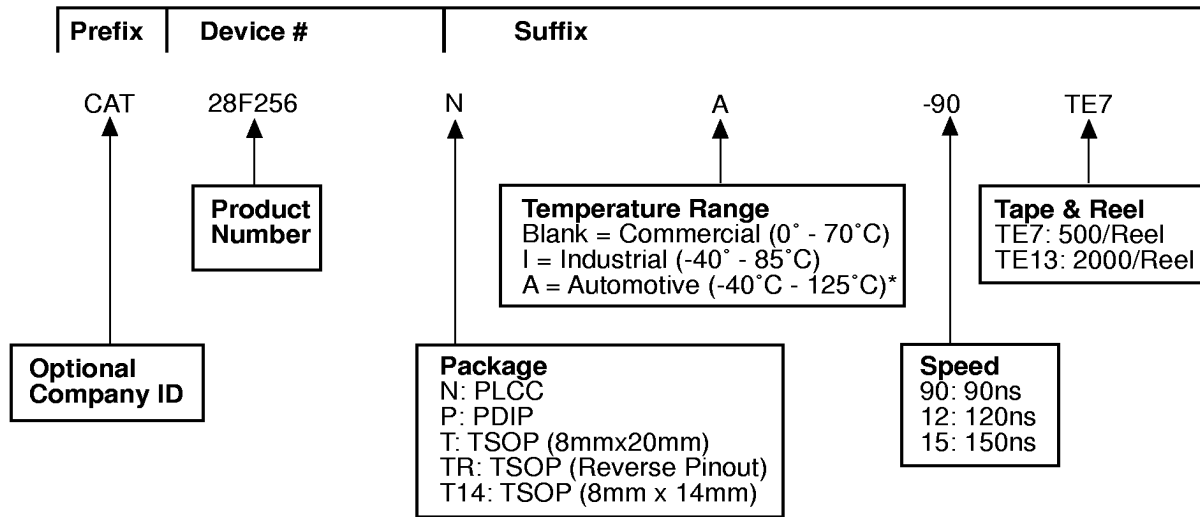
(1) The algorithm MUST BE FOLLOWED to ensure proper and reliable operation of the device.

28F256 F09

ALTERNATE \overline{CE} -CONTROLLED WRITES

| JEDEC Symbol | Standard Symbol | Parameter | 28F256-90 | | 28F256-12 | | 28F256-15 | | Unit |
|--------------|-----------------|---|-----------|------|-----------|------|-----------|------|------|
| | | | Min. | Max. | Min. | Max. | Min. | Max. | |
| tAVAV | tWC | Write Cycle Time | 90 | | 120 | | 120 | | ns |
| tAVEL | tAS | Address Setup Time | 0 | | 0 | | 0 | | ns |
| tELAX | tAH | Address Hold Time | 40 | | 40 | | 40 | | ns |
| tDVEH | tDS | Data Setup Time | 40 | | 40 | | 40 | | ns |
| tEHDX | tDH | Data Hold Time | 10 | | 10 | | 10 | | ns |
| tEHGL | - | Write Recovery Time Before Read | 6 | | 6 | | 6 | | μs |
| tGHEL | - | Read Recovery Time Before Write | 0 | | 0 | | 0 | | μs |
| tWLEL | tWS | \overline{WE} Setup Time Before \overline{CE} | 0 | | 0 | | 0 | | ns |
| tEHWH | - | \overline{WE} Hold Time After \overline{CE} | 0 | | 0 | | 0 | | ns |
| tELEH | tCP | Write Pulse Width | 40 | | 40 | | 40 | | ns |
| tEHEL | tCPH | Write Pulse Width High | 20 | | 20 | | 20 | | ns |
| tVPEL | - | V _{PP} Setup Time to \overline{CE} Low | 100 | | 100 | | 100 | | ns |

ORDERING INFORMATION



* -40°C to +125°C is available upon request

28F256 F12

Notes:

(1) The device used in the above example is a CAT28F256NI-90TE7 (PLCC, Industrial Temperature, 90ns Access Time, Tape & Reel)