

Type: PFN0716

◆ **Product Description**

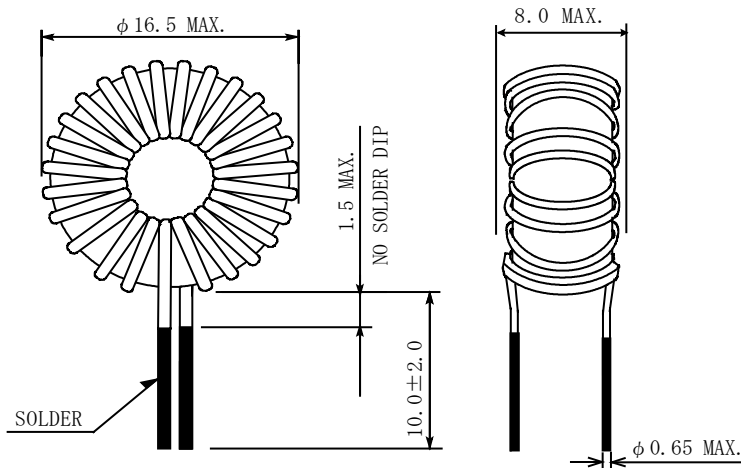
- ϕ 16.5mm \times 8.0mm. Max
- In addition to the typical versions of parameters shown here, custom parameters are available to meet your exact requirements.



◆ **Feature**

- Iron dust core is used to realize better DC Saturation characteristics and higher noise absorption effect.
- Less leakage magnetic flux.
- Ideally used as normal mode chokes EMI suppression in power supplies or signal lines.
- Elimination for impulse noise.
- RoHS Compliance

◆ **Dimensions (mm)**



www.DataSheet4U.com

◆ **Specification**

Part Name.	Inductance (μ H) [MIN.] At 1kHz	D.C.R.(m Ω) [MAX.] (at 20°C)	Impedance [MIN.]			Rated Current (A)※1
			①	②	③	
PFN0716NP-NM29A	21	43	544 Ω at 5MHz	1180 Ω at 10MHz	1245 Ω at 20MHz	5.4
PFN0716NP-NM39A	37	58	1245 Ω at 5MHz	2070 Ω at 7MHz	950 Ω at 15MHz	2.9

※1. Rated current: The DC current at which the temperature rise is $\Delta t = 40^\circ\text{C}$. ($T_a = 20^\circ\text{C}$).