

**PLEASE CHECK WWW.MOLEX.COM FOR LATEST PART INFORMATION**

**Part Number:** [5033980891](#)  
**Status:** **Active**  
**Description:** 1.10mm (.043") Pitch microSD Memory Card Connector, Normal Mount SMT, Push-Push Type, 1.28mm (.050") Height

**Documents:**

[3D Model](#) [Product Specification PS-503398-001 \(PDF\)](#)  
[Drawing \(PDF\)](#) [RoHS Certificate of Compliance \(PDF\)](#)

**General**

Product Family	Memory Card Sockets
Series	<a href="#">503398</a>
Button Type	Push-Push
Component Type	Header & Ejector (Host)
Product Name	microSD Card
Type	N/A

**Physical**

Card Detection Switch	Yes
Circuits (Loaded)	8
Color - Resin	Black
Durability (mating cycles max)	10,000
Ejector Button Side	No Ejector Button Present
Entry Angle	90° Angle
Keying to Mating Part	Yes
Material - Metal	Phosphor Bronze, Stainless Steel
Material - Plating Mating	Gold
Material - Plating Termination	Gold, Tin
PCB Locator	No
PCB Mounting Side	Normal
PCB Retention	Yes
Packaging Type	Embossed Tape on Reel
Pitch - Mating Interface (in)	0.043 In
Pitch - Mating Interface (mm)	1.10 mm
Ports	1
Temperature Range - Operating	-25°C to +85°C
Termination Interface: Style	Surface Mount

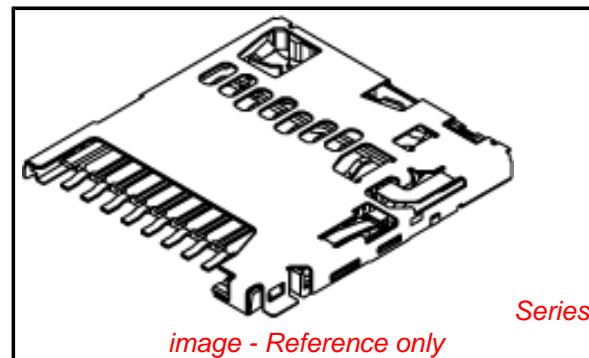
**Electrical**

Current - Maximum per Contact	0.5A
Shielded	Yes
Voltage - Maximum	10V AC (RMS)/DC

**Material Info**

**Reference - Drawing Numbers**

Product Specification	PS-503398-001, RPS-503398-001
Sales Drawing	SD-503398-001, SD-503398-002



*image - Reference only*

**EU RoHS**

**ELV and RoHS  
Compliant**  
**REACH SVHC**  
 Not Reviewed  
**Halogen-Free  
Status**  
 Not Reviewed

**China RoHS**



**Need more information on product  
environmental compliance?**

Email [productcompliance@molex.com](mailto:productcompliance@molex.com)  
 For a multiple part number RoHS Certificate of Compliance, [click here](#)

Please visit the [Contact Us](#) section for any non-product compliance questions.

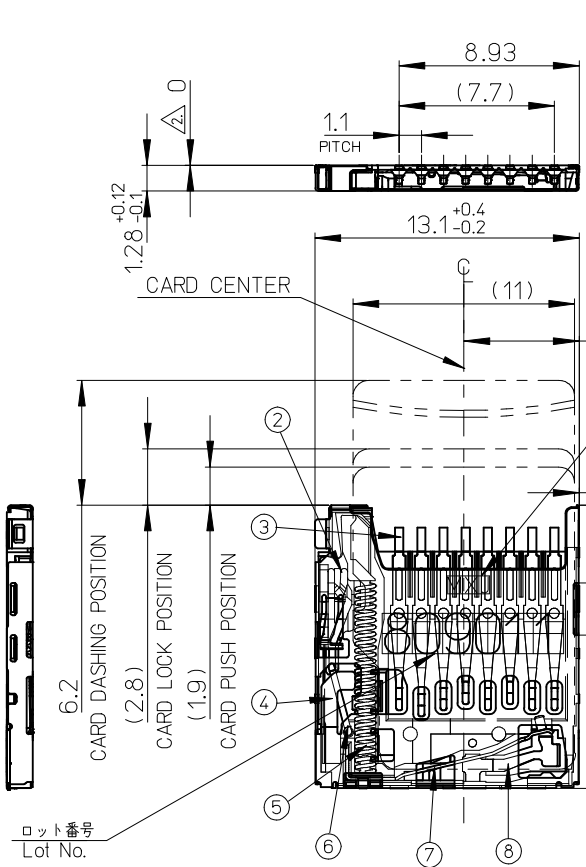
**Search Parts in this Series**

[503398Series](#)

**Use With**

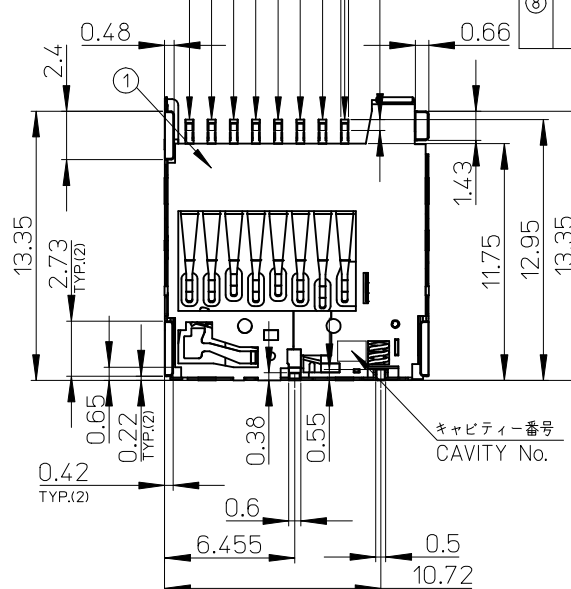
microSD Card

CONFIDENTIAL



- Pin No.1: DAT2
- Pin No.2: CD/DAT3<sup>2</sup>
- Pin No.3: CMD
- Pin No.4: Vdd
- Pin No.5: CLK
- Pin No.6: Vss
- Pin No.7: DAT0
- Pin No.8: DAT1

社名  
COMPANY NAME  
(0.48)  
(WITHOUT SEAL OF CARD)

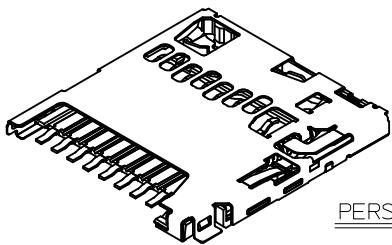


番号 NO.	名称 NAME	材料 MATERIAL	仕上げ (めっき) FINISHES (PLATING)
①	ハウジング HOUSING	液晶ポリマー(LCP)、ガラス充填、UL94 V-0、黒	LIQUID CRYSTAL POLYMER (LCP), GLASS FILLED, UL94 V-0, BLACK
②	カムスライダ CAM SLIDER	液晶ポリマー(LCP)、ガラス充填、UL94 V-0、黒	LIQUID CRYSTAL POLYMER (LCP), GLASS FILLED, UL94 V-0, BLACK
③	ターミナル TERMINAL	燐青銅 PHOSPHOR BRONZE	接触部: 金めっき (0.5µm MIN.) テール部: 錫めっき (2.0µm MIN.) 下地: ニッケルめっき (1.0µm MIN.) CONTACT AREA: GOLD PLATING (0.5 MICROMETER MINIMUM.) SOLDER TAIL AREA: TIN PLATING (2.0 MICROMETER MINIMUM.) UNDERPLATE: NICKEL OVERALL (1.0 MICROMETER MINIMUM.)
④	シェル SHELL	ステンレス鋼 STAINLESS STEEL	下地: ニッケルめっき NAIL AREA: GOLD PLATING UNDERPLATE: NICKEL OVERALL
⑤	スプリング SPRING	ピアノ線 SWP	全面: ニッケルめっき NICKEL OVERALL
⑥	ピン PIN	ステンレス鋼 STAINLESS STEEL	基板実装部: 金めっき
⑦	ディテクトレバー DETECT LEVER	燐青銅 PHOSPHOR BRONZE	接触部: 金めっき (0.2µm MIN.) 基板実装部: 金めっき 下地: ニッケルめっき CONTACT AREA: GOLD PLATING (0.2 MICROMETER MINIMUM.) NAIL AREA: GOLD PLATING UNDERPLATE: NICKEL OVERALL
⑧	ディテクトスイッチ DETECT SWITCH	燐青銅 PHOSPHOR BRONZE	接触部: 金めっき (0.2µm MIN.) 基板実装部: 金めっき 下地: ニッケルめっき CONTACT AREA: GOLD PLATING (0.2 MICROMETER MINIMUM.) NAIL AREA: GOLD PLATING UNDERPLATE: NICKEL OVERALL

NOTES

1. ターミナル及びネイルの平坦度は 0.1 MAX. (測定用定板面を基準)  
TERMINAL AND NAIL COPLANARITY TO BE 0.1 MAX.(FROM GAUGE PLANE)
  - △ スタンドオフ寸法 STAND OFF
  - △ パターン禁止エリア PATTERN PROHIBITION AREA
  4. カード検知スイッチ DETECT SWITCH
- |                                |            |
|--------------------------------|------------|
| カード挿入時 CARD INSERTING POSITION | クローズ CLOSE |
| カード未挿入時 NO CARD                | オープン OPEN  |
5. 肉抜き位置は任意とする。CAVITY IS TO BE OPTIONAL.
  6. ロット印字は任意とする。LOT NUMBERING IS TO BE OPTIONAL.
  - △ GND 推奨パターン GND RECOMMENDED PATTERN.
  8. ELV 及び RoHS 適合品 ELV AND RoHS COMPLIANT.
  - △ カード裏挿し誤挿入時、カード突出エリア (他の部品の設置、非推奨範囲)  
WHEN A CARD IS MISS-MATED IN THE REVERSE ORIENTATION, PART OF THE CARD PROTRUDES FROM THE SHELL DUE TO THE CARD-MISS MATING PREVENTION FEATURE. THEREFORE, NO COMPONENTS ARE ALLOWED TO BE PLACED IN THIS AREA.

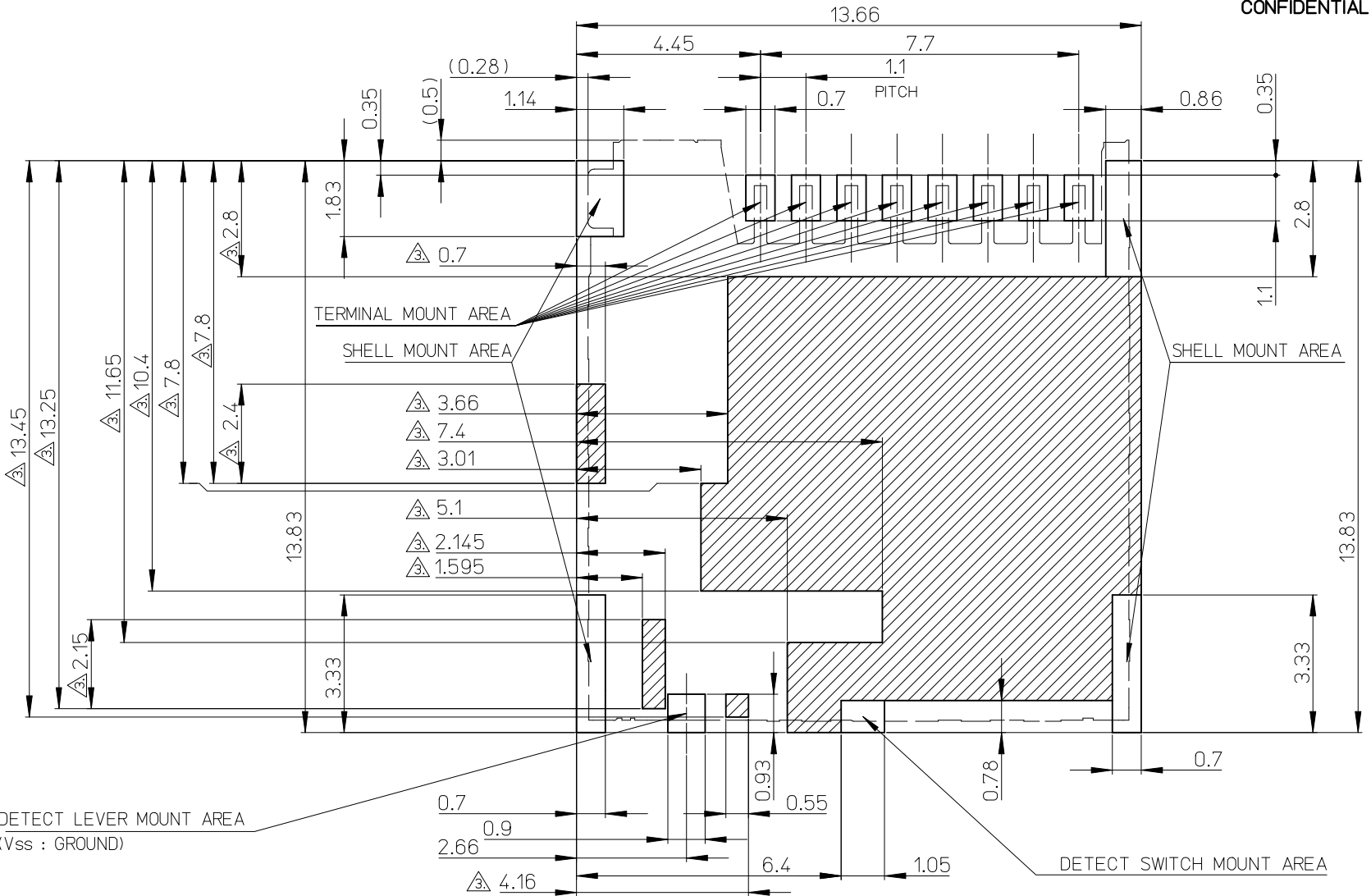
ロット番号 Lot No.  
809011  
8 : Year(2008)  
09: Month(9)  
01: Day(1)  
1 : Line No.



PERSPECTIVE VIEW

503398-0891	8
EMBOSSED PACKAGE	極数
オーダー番号 ORDER NO.	CIRCUITS
CONNECTOR SERIES No. 503398-0811	

PROPOSED EC NO: J22010-00000 DRWN: YMATSUMOTO 2009/09/17 CHKD: MTOMITA 2009/09/17 APPR: NUKITA 2009/09/17	DESCRIPTION REV: 0	GENERAL TOLERANCES (UNLESS SPECIFIED)		DIMENSION STYLE MM ONLY		SCALE 4:1	DESIGN UNITS METRIC	THIRD ANGLE PROJECTION	
		10 UNDER ±0.2	10 OVER 30 UNDER ±0.25	30 OVER ±0.3	DRAWN BY YMATSUMOTO	DATE 2009/09/09	TITLE MICRO SD CONN. PUSH/PUSH & NORMAL SUPER-SMALL TYPE		
		ANGULAR ±1 °			APPROVED BY NUKITA	DATE 2009/09/09	MOLEX INCORPORATED		
		DRAFT WHERE APPLICABLE MUST REMAIN WITHIN DIMENSIONS			MATERIAL NO. SEE CHART	DOCUMENT NO. SD-503398-001	SHEET NO. 1 OF 2		
THIS DRAWING CONTAINS INFORMATION THAT IS PROPRIETARY TO MOLEX INCORPORATED AND SHOULD NOT BE USED WITHOUT WRITTEN PERMISSION									

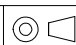


  
 パターン禁止エリア  
 PATTERN PROHIBITION AREA

 DETECT LEVER MOUNT AREA  
 (Vss : GROUND)

DETECT SWITCH MOUNT AREA

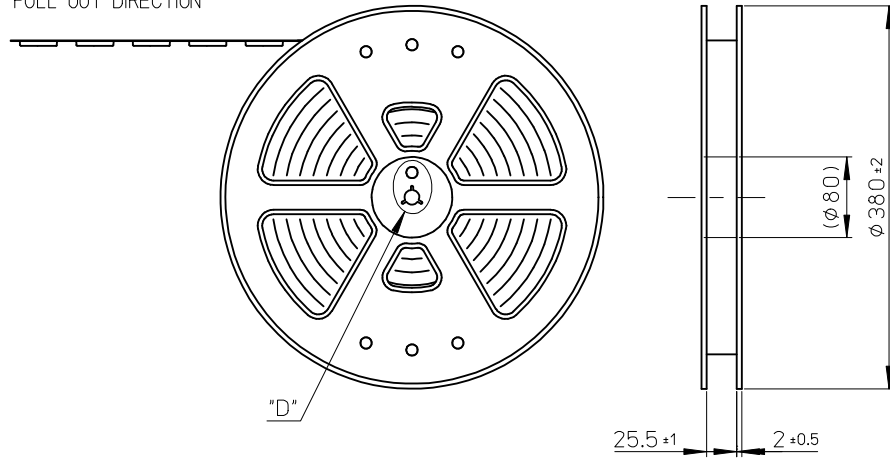
RECOMMENDED  
 PCB PATTERN LAYOUT  
 (GENERAL TOLERANCE : ±0.05)

PROPOSED EC NO: JZ0100-000000 DRWN: YMATSUMOTO 2009/09/17 CHKD: MTOMITA 2009/09/17 APPR: NUKITA 2009/09/17	GENERAL TOLERANCES (UNLESS SPECIFIED)		DIMENSION STYLE MM ONLY		SCALE 4:1	DESIGN UNITS METRIC	 THIRD ANGLE PROJECTION		
	10 UNDER ±0.2	10 OVER 30 UNDER ±0.25	30 OVER ±0.3	DRAWN BY YMATSUMOTO	DATE 2009/09/09	TITLE MICRO SD CONN. PUSH/PUSH & NORMAL SUPER-SMALL TYPE			
	ANGULAR ±1 °			CHECKED BY MTOMITA	DATE 2009/09/09	MOLEX INCORPORATED			
	DRAFT WHERE APPLICABLE MUST REMAIN WITHIN DIMENSIONS			APPROVED BY NUKITA	DATE 2009/09/09	MATERIAL NO. SEE CHART	DOCUMENT NO. SD-503398-001	SHEET NO. 2 OF 2	

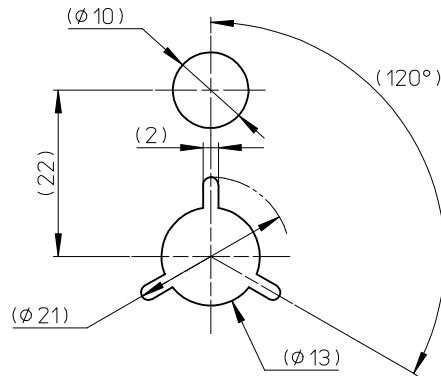
NOTES

1. 製品詳細寸法については、SD 図面を参照下さい。  
RE DETAILED DIMENSION, SEE SALES DRAWING.
2. 梱包数量：2400個／リール  
NUMBER OF CONNECTORS：2400 PCS/REEL.
3. リードテープ長さ LEAD TAPE LENGTH.

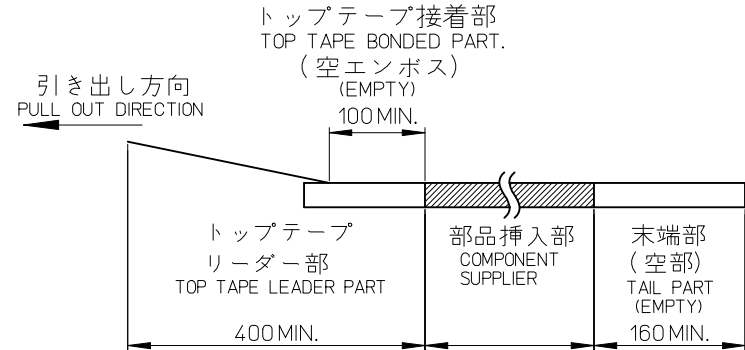
引き出し方向  
PULL OUT DIRECTION



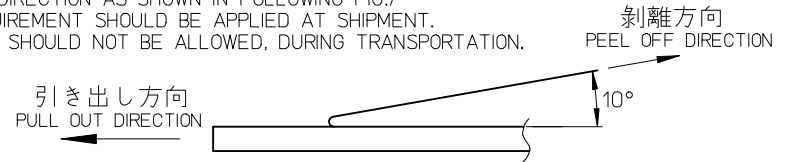
"D"



DETAIL "D"



4. トップテープの剥離強度：JIS C0806-3に準拠(剥離方向は下図参照)尚、本規格値は出荷時に適用。(但し、輸送時に剥離が発生しないこと。)  
PEELING OFF FORCE OF TOP TAPE：BASED UPON JIS C0806-3 (PEELING DIRECTION AS SHOWN IN FOLLOWING FIG.) THIS REQUIREMENT SHOULD BE APPLIED AT SHIPMENT. PEEL OFF SHOULD NOT BE ALLOWED, DURING TRANSPORTATION.

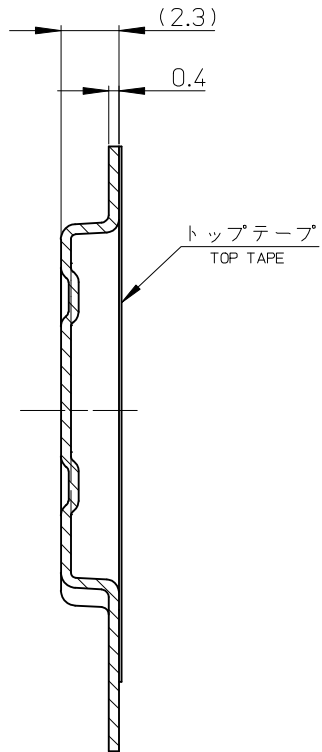


5. 材料 MATERIAL  
キャリアテープ (CARRIER TAPE)：ポリスチレン (POLYSTYRENE)  
トップテープ (TOP TAPE)：PET, PE, PEF  
リール (REEL)：ポリスチレン(PS) <リサイクル材含む>  
POLYSTYRENE (PS) <RECYCLE MATERIAL CONTAINED>

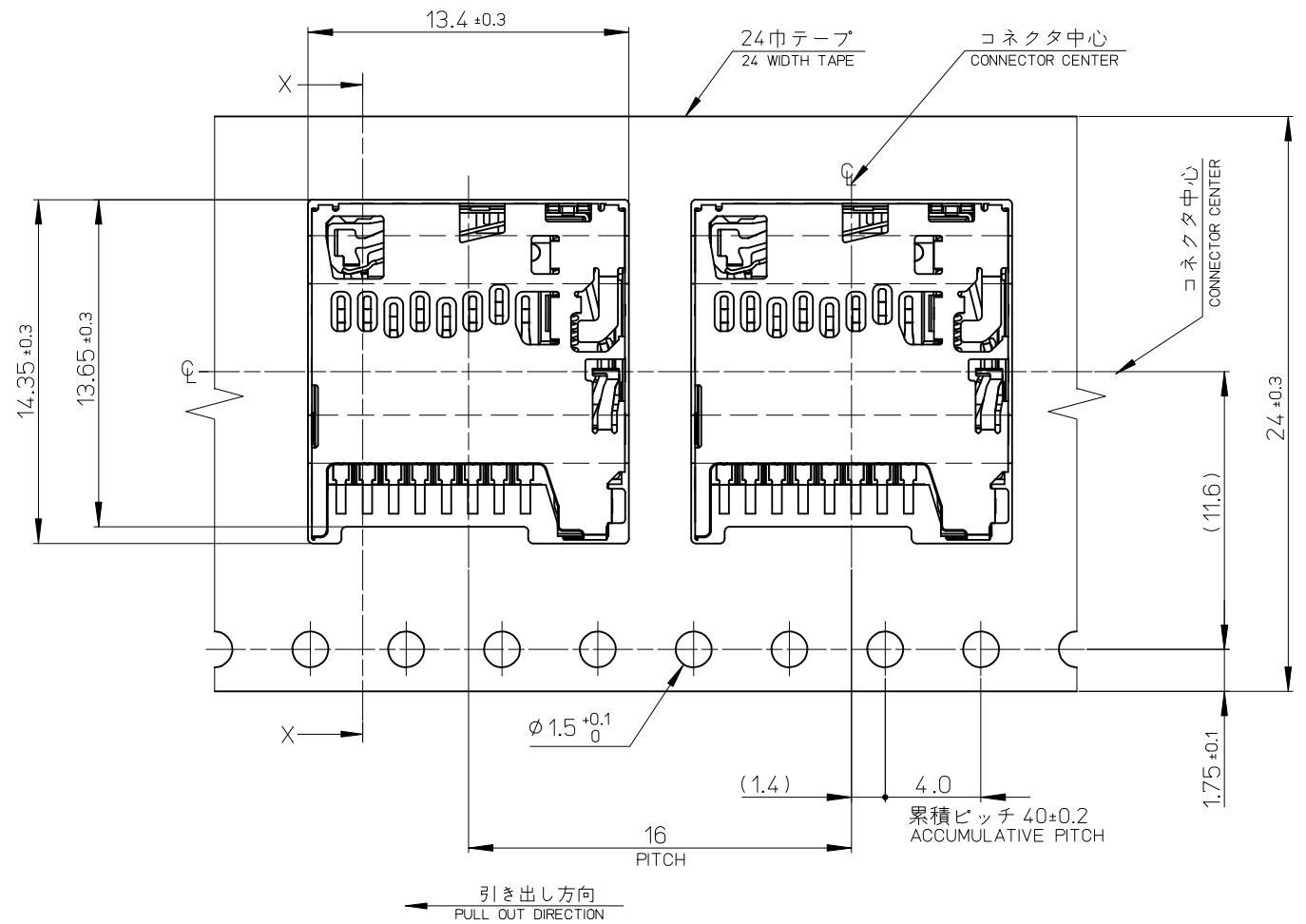
503398-0891	8
EMBOSSED PACKAGE	極数
オーダー番号 ORDER NO.	CIRCUITS
CONNECTOR SERIES No. 503398-0811	

PROPOSED EC NO: J2010-0539 DRWN: YMATSUMOTO 2009/09/17 CHKD: YMATSUMOTO 2009/09/17 APPR: NUKITA 2009/09/17 REV: 0	DESCRIPTION GENERAL TOLERANCES (UNLESS SPECIFIED)	10 UNDER	±0.2	DIMENSION STYLE MM ONLY	SCALE 4:1	DESIGN UNITS METRIC	THIRD ANGLE PROJECTION
		10 OVER 30 UNDER	±0.25				
		30 OVER	±0.3				
		ANGULAR ±1 °					
		DRAFT WHERE APPLICABLE MUST REMAIN WITHIN DIMENSIONS					
DRAWN BY DATE		CHECKED BY DATE		APPROVED BY DATE		TITLE	
		YMATSUMOTO 2009/02/02		MTOMITA 2009/02/02		EMBOSSED TAPE PACKAGE FOR 503398-08**	
		NUKITA 2009/02/02		MATERIAL NO.		DOCUMENT NO.	
		SEE CHART		SD-503398-002		SHEET NO.	
		SIZE A3		THIS DRAWING CONTAINS INFORMATION THAT IS PROPRIETARY TO MOLEX INCORPORATED AND SHOULD NOT BE USED WITHOUT WRITTEN PERMISSION			

10 9 8 7 6 5 4 3 2 1



SECTION X-X



PROPOSED EC NO: J2010-03339 DRWN: YMATSUMOTO 2009/09/17 CHKD: YMATSUMOTO 2009/09/17 APPR: NUKITA 2009/09/17	GENERAL TOLERANCES (UNLESS SPECIFIED)		DIMENSION STYLE MM ONLY	SCALE 5:1	DESIGN UNITS METRIC	THIRD ANGLE PROJECTION
	10 UNDER	± 0.2	DRAWN BY YMATSUMOTO	DATE 2009/02/02	TITLE EMBOSSED TAPE PACKAGE FOR 503398-08**	
	10 OVER 30 UNDER	± 0.25	CHECKED BY MTOMITA	DATE 2009/02/02	MOLEX INCORPORATED DOCUMENT NO. SD-503398-002 SHEET NO. 2 OF 2	
	30 OVER	± 0.3	APPROVED BY NUKITA	DATE 2009/02/02		
	ANGULAR ± 1 °		MATERIAL NO. SEE CHART	THIS DRAWING CONTAINS INFORMATION THAT IS PROPRIETARY TO MOLEX INCORPORATED AND SHOULD NOT BE USED WITHOUT WRITTEN PERMISSION		
DRAFT WHERE APPLICABLE MUST REMAIN WITHIN DIMENSIONS		SIZE A3				