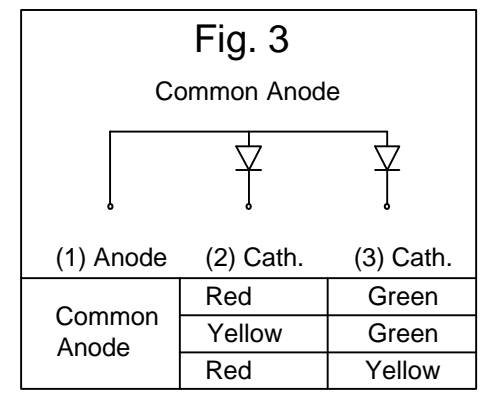
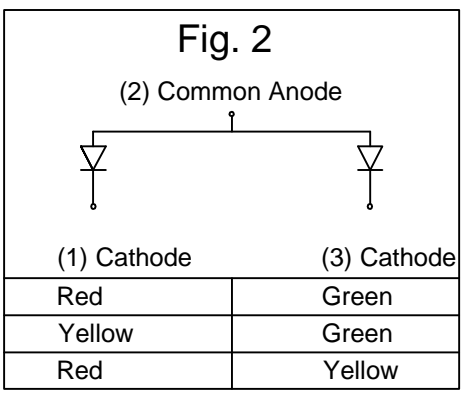
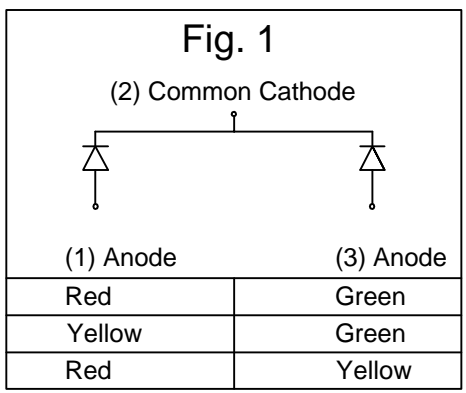
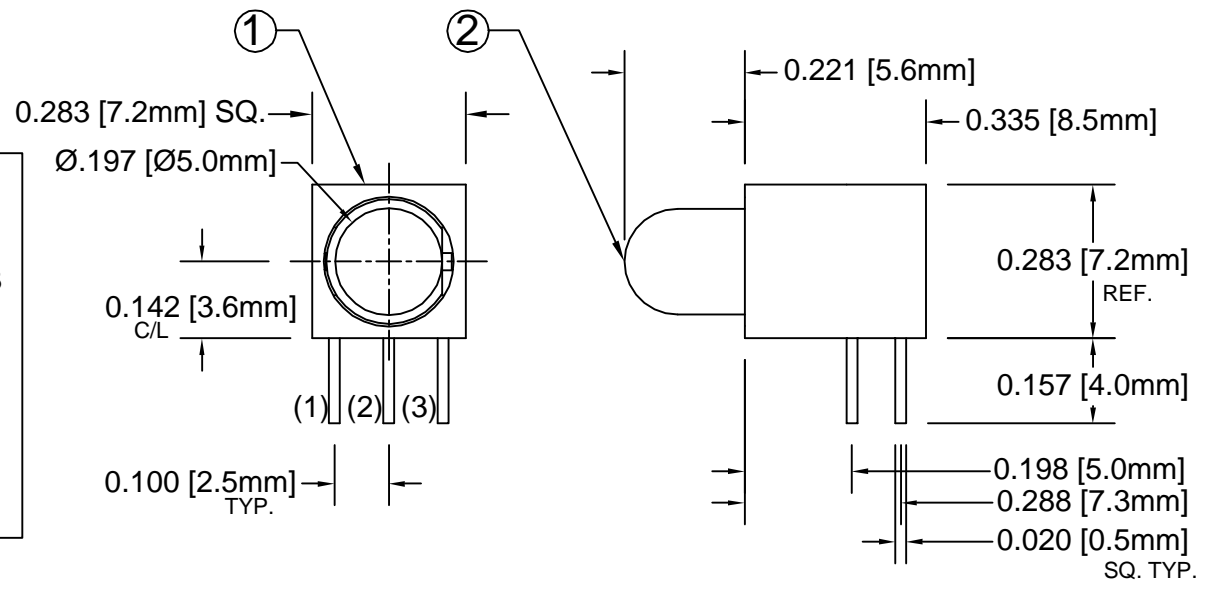
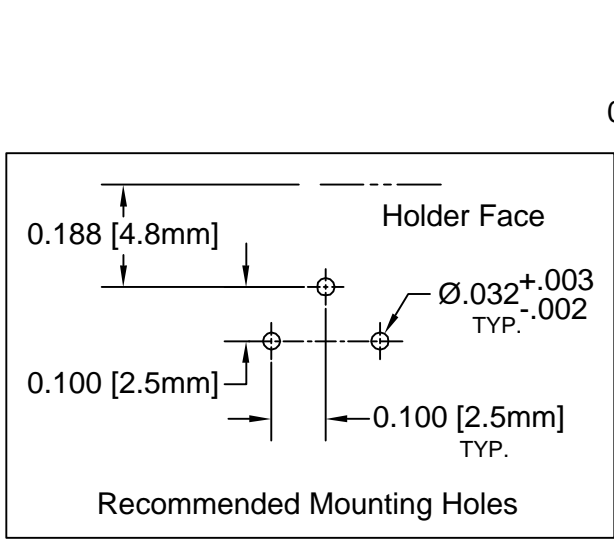


ITEM	Q'TY	PART NUMBER	PART DESCRIPTION
1	1	H-190C	T-1¼ (5mm) Single-Level Tri-Lead LED Holder, 90° Mount
2	1	5BC-3-XXXX-F	T-1¼ (5mm) Bi-Color/Tri-Color Flanged LED, See Page 2

REV.	DESCRIPTION	DATE	APPROVED
C	Engineering Update w/o Changes	03/05/04	M. C.



ABSOLUTE MAXIMUM RATINGS (Ta=25° C)

REVERSE VOLTAGE _____ 5V

REVERSE CURRENT _____ 100µA

OPERATING TEMPERATURE RANGE _____ -25° C - 85° C


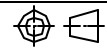
STORAGE TEMPERATURE _____ -30° C - 100° C

LEAD SOLDERING TEMPERATURE (1/16" FROM BODY) _____ 260° C FOR 5 SECONDS

STANDARD TOLERANCE (UNLESS OTHERWISE SPECIFIED)		 BIVAR [®] 4 THOMAS, IRVINE, CA. 92618 TEL: (949) 951-8808 FAX: (949) 951-3974	
DECIMALS	ANGULAR		
.X ± .1	X° ± 1°		
.XX ± .02		 TITLE: T-1¼ (5MM) BI-COLOR 3 LEAD 90° SINGLE-LEVEL LED ASSY	
.XXX ± .010			
DESIGNED: David Green	DATE: 06/04/03	PART NO: H190C-3-XX	REVISION: C
CHECKED: M. Chen	DATE: 06/04/03	CAGE CODE : 32559	SHEET # 1 OF 2
CAD GENERATED DOCUMENT, DO NOT MEASURE DRAWING.			

REV.	DESCRIPTION	DATE	APPROVED
	SEE SHEET#1.		

LED Assy. No.	Peak Wave Length λ_p (nm)	Emitted Color	Lens Appearance	Abs. Max. Rating	Electro-Optical Data @ 20mA			Viewing Angle $2\theta \pm \frac{1}{2}$ (Deg)	LED P/N	
					If (mA)	Vf (V)				Iv (mcd)
						TYP	MAX			TYP
H190C-3 (Fig. 1)	635	HE RED	WHITE DIFFUSED	30	2.0	2.6	35.0	40	5BC-3-F	
	568	GREEN		30	2.2	2.6	35.0			
H190C-3-Y/G (Fig. 1)	585	YELLOW	WHITE DIFFUSED	30	2.1	2.6	30.0	40	5BC-3-Y/G-F	
	568	GREEN		30	2.2	2.6	35.0			
H190C-3-CA (Fig. 2)	635	HE RED	WHITE DIFFUSED	30	2.0	2.6	35.0	40	5BC-3-CA-F	
	568	GREEN		30	2.2	2.6	35.0			
H190C-3-Y/G-CA (Fig. 2)	585	YELLOW	WHITE DIFFUSED	30	2.1	2.6	30.0	40	5BC-3-Y/G-CA-F	
	568	GREEN		30	2.2	2.6	35.0			
H190C-3-B (Fig. 3)	585	YELLOW	WHITE DIFFUSED	30	2.0	2.6	35.0	40	5BC-3-CA-B-F	
	635	HE RED		30	2.2	2.6	35.0			
H190C-3-Y/G-B (Fig. 3)	585	YELLOW	WHITE DIFFUSED	30	2.1	2.6	30.0	40	5BC-3-Y/G-CA-B-F	
	568	GREEN		30	2.2	2.6	35.0			

STANDARD TOLERANCE (UNLESS OTHERWISE SPECIFIED) <u>±10% ALL VALUES</u> <u>ANGULAR</u> X° ±5°		 BIVAR [®] 4 THOMAS, IRVINE, CA. 92618 TEL: (949) 951-8808 FAX: (949) 951-3974	
			
DESIGNED: David Green	DATE: 06/04/03	PART NO: H190C-3-XX	REVISION: C
CHECKED: M. Chen	DATE: 06/04/03	CAGE CODE : 32559	SHEET # 2 OF 2
CAD GENERATED DOCUMENT. DO NOT MEASURE DRAWING.			