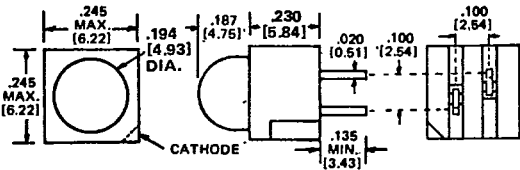
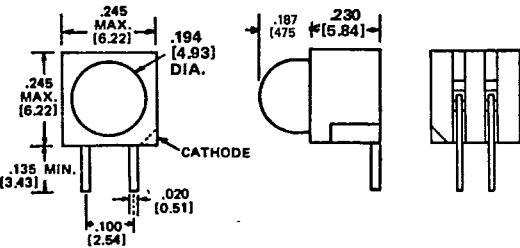


Super Efficient LED Circuit Board Indicators with Red, Yellow or Green LEDs For Low Current 2mA Operation 550 series

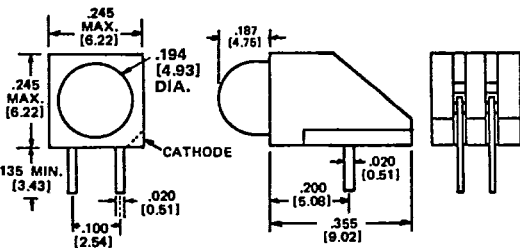
550-1104 Red
550-1204 Yellow
550-1304 Green



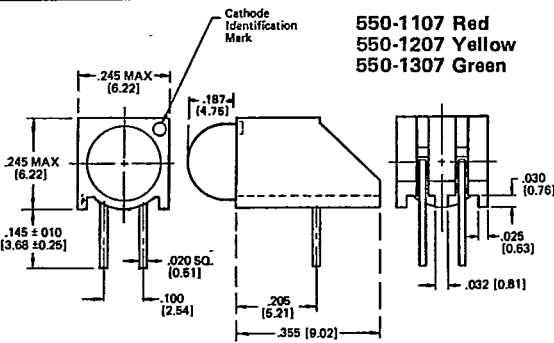
550-1105 Red
550-1205 Yellow
550-1305 Green



550-1106 Red
550-1206 Yellow
550-1306 Green



550-1107 Red
550-1207 Yellow
550-1307 Green



() Metric dimension in mm.

Applications

- Circuit Board Indicator.
- Panel Illumination.
- Back Lighting.
- Logic Status Indicator.
- Binary Data Display.

Features

- Low input current — only 2mA!
- Can be driven directly from IC chip without usual drive circuitry.
- Wide viewing angle.
- High reliability — life measured in years.
- Designed for ease in PCB assembly.
- Low cost.
- Black case enhances contrast ratio.
- Vibration and shock resistant.
- Polarity identified.

Note: To obtain units with a .340 min. lead length, add -100 suffix to part number.

Absolute Maximum Ratings at TA = 25°C

Parameter	Red	Green	Yellow	Units
Power Dissipation (derate linearly from 92°C at 1.0mA/°C)	24	24	36	mW
Forward DC Current	7	7	7	mA
Transient Forward Current (10µsec. pulse width)	500m	500m	25 m	A
Operating and Storage Temperature	-55°C to +100°C			°C
Lead Soldering Temperature (5 sec., 1/16" from case)	260°C	260°C	260°C	°C

Operating Characteristics at TA = 25°C

Symbol	Parameter	Color	Min	Typ	Max	Units	Test Conditions
VF	Forward Voltage	Red		1.8	2.2	V	IF = 2 mA
		Green		1.8	2.2	V	IF = 2 mA
		Yellow		1.9	2.7	V	IF = 2 mA
BVR	Reverse Voltage	Red	5.0	30		V	IR = 50 µA
		Green	5.0	30		V	IR = 50 µA
		Yellow	5.0	40		V	IR = 50 µA
λpk	Wavelength at Peak	Red		635		nm	Measurement at Peak
		Green		565		nm	Measurement at Peak
		Yellow		583		nm	Measurement at Peak
IV	Luminous Intensity	Red	1.2	2.0		mcd	IF = 2 mA
		Green	1.2	1.8		mcd	IF = 2 mA
		Yellow	1.2	1.8		mcd	IF = 2 mA

Dialight reserves the right to make changes at anytime in order to improve design and to supply the best product possible.