

PLEASE CHECK WWW.MOLEX.COM FOR LATEST PART INFORMATION

Part Number: [0391001210](#)
Status: **Active**
Description: 12.00mm (.472") Pitch Beau™ Eurostyle™ Two-Screw Terminal Strips, 10 Circuits

Documents:

[3D Model](#) [RoHS Certificate of Compliance \(PDF\)](#)
[Drawing \(PDF\)](#)

Agency Certification

CSA 25562
 UL E82573

General

Product Family Terminal Blocks
 Series [39100](#)
 Application Wire-to-Wire
 Component Type One Piece
 Product Literature Order No USA-303
 Product Name Eurostyle™ Two Screw
 Type Euro Block

Physical

Circuits (Loaded) 10
 Entry Angle Horizontal
 Flammability 94V-2
 Lock to Mating Part None
 Number of Rows 2
 Orientation Vertical
 PCB Retention Yes
 Panel Mount Mounting Holes Between Circuit
 Pitch - Mating Interface (in) 0.472 In
 Pitch - Mating Interface (mm) 12.00 mm
 Pitch - Term. Interface (in) 0.315 In
 Pitch - Term. Interface (mm) 8.00 mm
 Polarized to Mating Part No
 Stackable No
 Temperature Range - Operating 100°C
 Wire Size AWG 10, 12, 14, 16, 18, 20, 8

Electrical

Current - Maximum per Contact 40A
 Voltage - Maximum 600V

Material Info

Reference - Drawing Numbers

Sales Drawing SD-39100-006

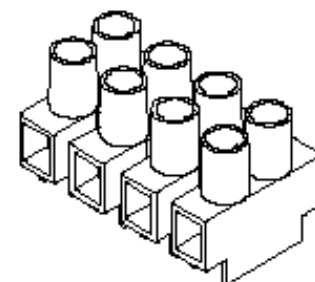


image - Reference only Series

EU RoHS

**ELV and RoHS
 Compliant**
**REACH SVHC
 Contains SVHC: No**
**Halogen-Free
 Status
 Not Reviewed**

China RoHS

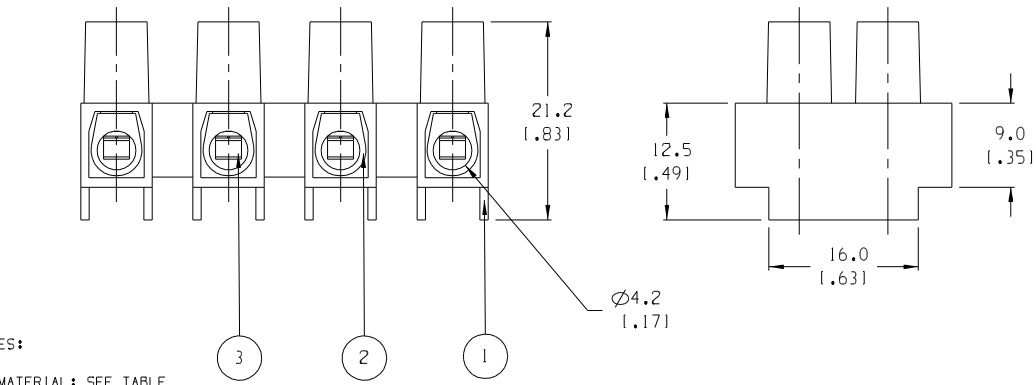
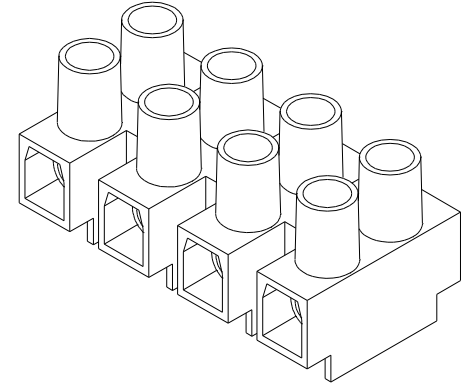
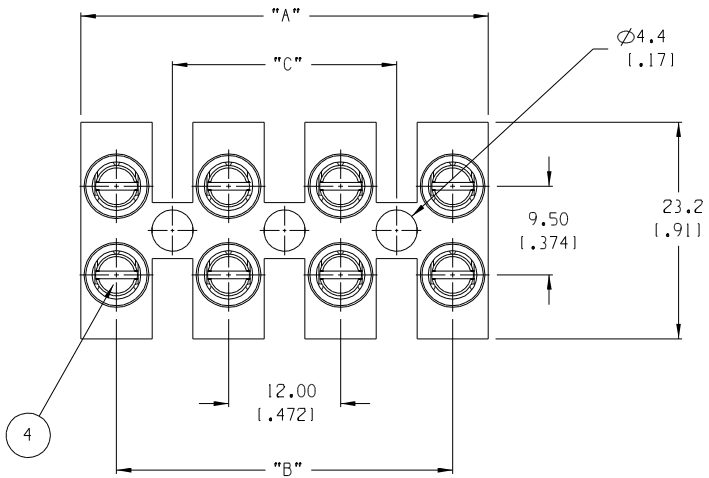


**Need more information on product
 environmental compliance?**

Email productcompliance@molex.com
 For a multiple part number RoHS Certificate of
 Compliance, [click here](#)

Please visit the [Contact Us](#) section for any
 non-product compliance questions.

Search Parts in this Series
[39100Series](#)



NUMBER OF CIRCUITS	"A" DIM.	"B" DIM.	"C" DIM.	MATERIAL NUMBER
01	8.00 (1.315)	N/A	N/A	391001201
02	20.00 (1.787)	12.00 (1.472)	N/A	391001202
03	32.00 (1.260)	24.00 (1.944)	12.00 (1.472)	391001203
04	44.00 (1.732)	36.00 (1.416)	24.00 (1.945)	391001204
05	56.00 (1.205)	48.00 (1.888)	36.00 (1.417)	391001205
06	68.00 (1.267)	60.00 (1.235)	48.00 (1.890)	391001206
07	80.00 (1.150)	72.00 (1.283)	60.00 (1.262)	391001207
08	92.00 (1.322)	84.00 (1.303)	72.00 (1.283)	391001208
09	104.00 (1.094)	96.00 (1.375)	84.00 (1.307)	391001209
10	116.00 (1.567)	108.00 (1.247)	96.00 (1.380)	391001210
11	128.00 (1.539)	120.00 (1.471)	108.00 (1.252)	391001211
12	140.00 (1.512)	132.00 (1.519)	120.00 (1.474)	391001212

- NOTES:
1. MATERIAL: SEE TABLE
 2. FINISHES: SEE TABLE
 3. PRODUCT SPECIFICATION: NOT REQUIRED
 4. PACKAGING: NOT REQUIRED
 5. MATES WITH: NONE
 6. "XX" REFERS TO THE NUMBER OF CIRCUITS

ITEM	QTY.	DESCRIPTION	MATERIAL	FINISH
4	XX*2	CLAMPING SCREWS, M3.5	STEEL	ZINC
3	XX	WIRE PROTECTOR	BRASS	NICKEL
2	XX	TERMINAL	BRASS	NICKEL
1	1	INSULATOR	NYLON 6	CLEAR

EC NO. RELEASED
DRAWN: JF 09-16-04
CHK'G:
APPR:

DESCRIPTION: MAJOR, CRITICAL, SPC

REV: A

QUALITY SYMBOLS

GENERAL TOLERANCES: (UNLESS SPECIFIED)

	mm	INCH
4 PLACES		±.0015
3 PLACES	±.038	±.005
2 PLACES	±.13	±.01
1 PLACE	±.3	

ANGULAR: ±2°

DRAFT WHERE APPLICABLE MUST REMAIN WITHIN DIMENSIONS

SCALE: 2:1

DESIGN UNITS: mm INCH

THIRD ANGLE PROJECTION

DIMENSIONS: mm INCH mm ONLY

DRAWN BY & DATE: J.FARMER 09-16-04

CHECKED BY & DATE:

APPROVED BY & DATE:

CAD FILENAME: 39100-12XX

PROJECT NO. - -

SHT - REV -

REVISE ON CAD ONLY

TITLE: 12MM HIGH PROFILE WITH WIRE PROTECTORS

MOLEX INCORPORATED

MATERIAL NO. SEE CHART

DRAWING NO. SD-39100-006

SHEET NO. 1 OF 1

THIS DRAWING CONTAINS INFORMATION THAT IS PROPRIETARY TO MOLEX INCORPORATED AND SHOULD NOT BE USED WITHOUT WRITTEN PERMISSION.

SIZE B