

106 862 + 106 866

	MODEL 2000	MODEL 2002
Standard Amp Ratings	3, 4, 5.	3, 4, 5, 7½, 8, 10, 12, & 15. Others on request.
Voltages	3 to 5 240VAC/50VDC	3-10A 240VAC/50VDC 12, 15A 120 VAC/50VDC
UL Recognized	UL 1077 Motor Load #E66224	UL 1077 General Load #E66224
CSA	LR27156	LR27156
Minimum Ultimate Trip	100% at 77°F	100% at 77°F
Maximum Ultimate Trip	135% at 77°F	135% at 77°F
Interrupt Capacity	1000A (UL1077)	1000A (UL1077)
Overload Capacity	6-10X Rating	6-10X Rating
Voltage Drop	.25 Volts Maximum	.25 Volts Maximum
Dielectric Strength	1500VAC	1500VAC
Recommended Panel Thickness	.020" - .075"	.020" - .075"

**TRIP TIME (IN SECONDS) VS. AMPS**

MODEL	CURRENT RATING	OVERLOAD PERCENTAGE						
		200%	300%	400%	500%	600%	800%	1000%
MP2000/2	3-15A	2.2-15	1.0-4.5	.55-1.8	.35-1.1	.27-.8	.15-.6	.12-.4

MODEL	CURRENT RATING	DERATING FACTORS				
		32°F	77°F	100°F	120°F	140°F
MP2000/2	3-15A	.83	1.0	1.13	1.31	1.6

**ORDERING INFORMATION**

Each Mechanical Product Circuit Protector/Breaker has a part number consisting of three groups of numbers.

Example: **2000-001-050**

**BASIC SERIES NUMBER**

2000 = Motor load rating  
Per UL1077  
  
2002 = General load rating  
Per UL1077

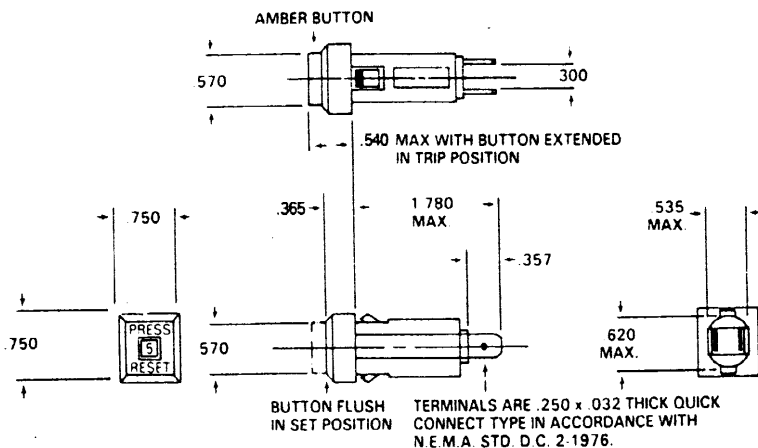
**PHYSICAL CONFIGURATION**

- 001 Orange button:  
Round/D hole mount.  
Interchangeable with  
Heinemann KD1 Series.
- 002 Orange button:  
Round/D hole mount.  
Interchangeable with  
P&B 28 Series.
- 003 Red button:  
Round/D hole mount.  
Interchangeable with  
Heinemann KD1 Series

- 004 Red button:  
Round/D hole mount.  
Interchangeable with  
P&B 28 Series.
- 005 Orange button:  
Square hole mount.  
Interchangeable with  
Littlefuse 348 Series.
- 006 Red button:  
Square hole mount.  
Interchangeable with  
Littlefuse 348 Series.

**AMP RATING**  
050 = 5 amps  
075 = 7.5 amps  
100 = 10 amps  
etc.

Other variations available.



Mechanical Products, Inc.  
1824 River Street  
P.O. Box 729  
Jackson, MI 49204

(517) 782-0391  
TWX 8102530827  
FAX 517-782-2810

