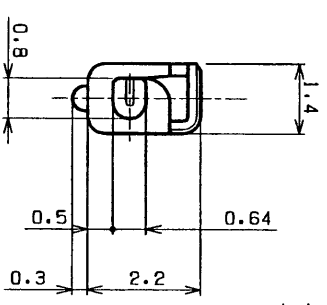
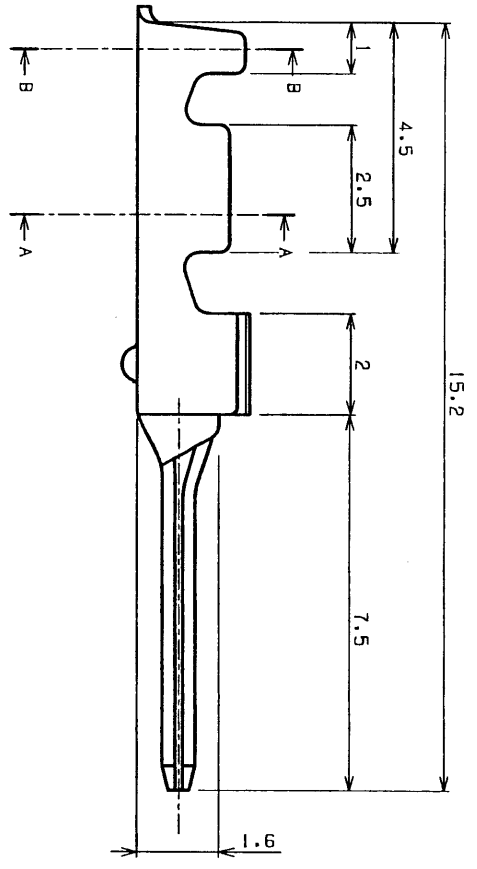
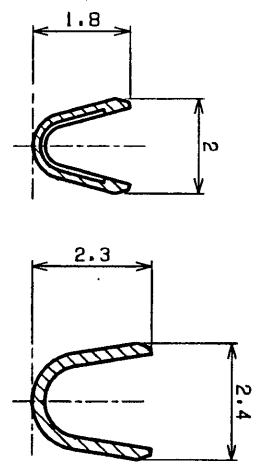
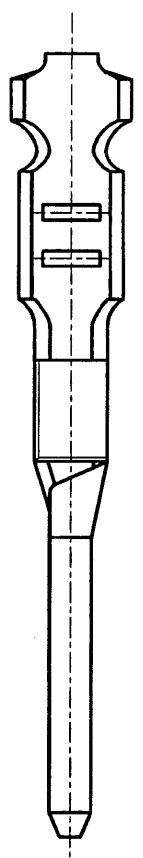


3849780

J.S.T. (U.S.A.)
08 AUG 2001
TECH-SALES
SUPPORT

REV	DESCRIPTION	DATE	DESIGNED
1	Drawing renewal	SEP.20.2000	K. YUASA



NOTE
1. Applicable wire range AWG#22-#24 #26
Outer diameter 1.4~1.74
2. Unless otherwise specified tolerances are
3±0.20±0.2
L±0.3

UNCONTROLLED ISSUE

1	TAB Contact	BRASS	t=0.25	TIN-PLATED	
No.	PART NAME	MATERIAL		SURFACE FINISH	REMARKS
SIZE	UNIT	SCALE	PROJECTION DATE	CUSTOMER	
A3	METRIC	10:1	SEP.20.2000		
APPROVED	CHECKED	DESIGNED	DRAWN	SERIES NAME	TAB CONTACT, JWPF CONNECTOR
A. Tomita		K. Yuasa	N. Murata	PART NO.	SWPT-001T-025
JST J.S.T.MFG.CO.,LTD				DRAWING NO.	KRD-25213-1
					RD

THIS DRAWING CONTAINS INFORMATION THAT IS PROPRIETARY TO J.S.T. AND SHOULD NOT BE USED WITHOUT WRITTEN PERMISSION.

EC4109-2

Cover sheet for
JWPF range.

New Product

JST



Compact water-proof wire-to-wire connector, with the use of the 025 terminals and the solid wire-sealing rubber.

Double-leaf construction

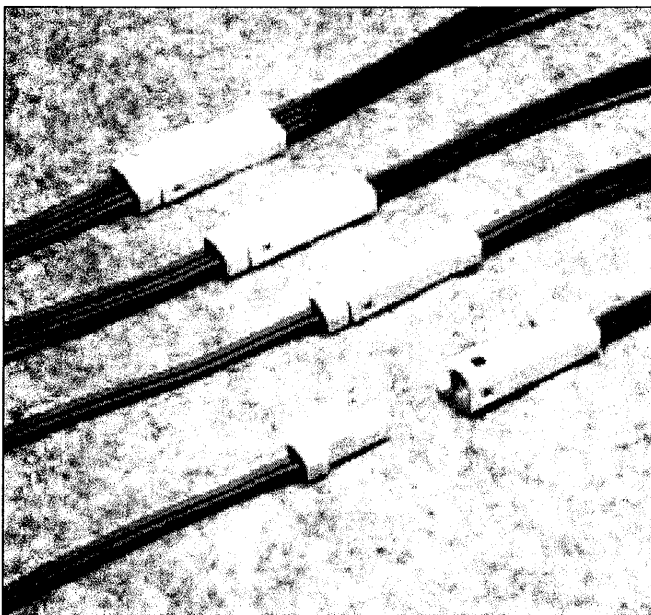
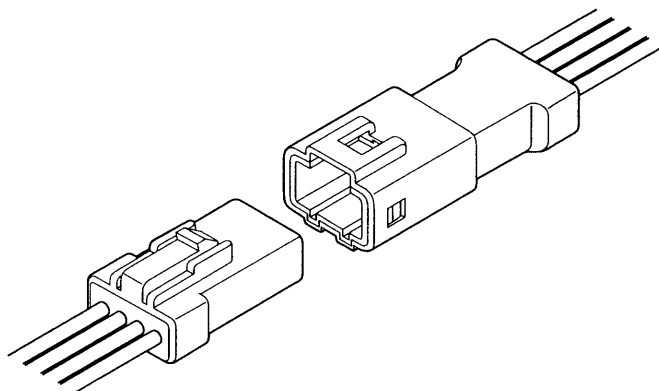
Superior contact performance is provided by the double-leaf construction, consisting of the main leaf and the assist leaf.

Housing lances

The contact retention lances on the resilient housing allow the confirmation of contact lock-in for easy and secure insertion.

Inter-housing lock

This inter-housing lock secures the plug to the receptacle and prevents accidental disconnection. The lock protected and is not affected by external forces that might result from the routing of wires.



■ Specifications

- Current rating : 3.0A AC, DC
- Voltage rating : 100V AC, DC
- Temperature : - 25 °C ~ + 85 °C (including temperature range rise in applying electrical current)
- Wires applicable : AWG #26 ~ #22
Insulation O.D. : 1.4 ~ 1.74 mm dia
- No. of circuits : 2 ~ 4 circuits

J.S.T. MFG. CO., LTD.

(URL) <http://www.jst-mfg.com>

Sales offices

Utsunomiya, Yokohama, Hachioji, Nagano, Aichi, Osaka, Kurayoshi, Hiroshima, Fukuoka in Japan and Belgium, Spain, U.K., Germany, France, Italy, U.S.A., Singapore, Thailand, Malaysia, China (Hong Kong, Shanghai), Taiwan, Korea, Australia

Engineering Centers

Osaka, Yokohama, Nagoya, Tsuyama, Kurayoshi in Japan and U.S.A., U.K., Singapore

Plants

Nishi-Kurayoshi, Kurayoshi, Misasa, In-no-sho, Tsuyama, Utsunomiya, Ooda, Oohara, Urayasu in Japan and Belgium, France, U.S.A., Indonesia

00.10-3