



# Series H12WD

25-125Amp • 480 Vac • AC Output

- **1200 Volt Blocking**
- **Panel Mount**
- **Up to 660 Vac**
- **Zero Voltage and Random Turn-On**
- **SCR Output**
- **Integrated Overvoltage Protection by Automatic Self Turn-On (Suffix P)**

High voltage relays use IC driven circuits for switching loads up to 660 VAC. All models come with 1200 Volts blocking. Type H12WD is a snubberless (reduced leakage current). Manufactured in Crydom's ISO 9001 Certified facility for optimum product performance and reliability.

MODEL NUMBERS	H12WD4825	H12WD4850	H12WD4875	H12WD4890	H12WD48125 <sup>⑥</sup>
<b>OUTPUT SPECIFICATIONS ①</b>					
Operating Voltage (47-63 Hz) [Vrms]	48-660	48-660	48-660	48-660	48-660
Max. Load Current ③ [Arms]	25	50	75	90	125
Min. Load Current, [mArms]	150	150	150	150	150
Transient Overvoltage [Vpk]	1200	1200	1200	1200	1200
Max. Surge Current, (16.6ms) [Apk]	250	625	1000	1200	1750
Max. On-State Voltage Drop @ Rated Current [Vpk]	1.6	1.6	1.6	1.6	1.7
Thermal Resistance Junction to Case ( $R_{\theta JC}$ ) [°C/W]	1.02	.63	.31	.28	.22
Maximum $I^2 t$ for Fusing, (8.3 msec.) [A <sup>2</sup> sec]	260	1620	4150	6000	12700
Max. Off-State Leakage Current @ Rated Voltage [mArms]	1.0	1.0	1.0	1.0	1.0
Min. Off-State dv/dt @ Max. Rated Voltage [V/μsec] ②	500	500	500	500	500
Max. Turn-On Time ④	1/2 Cycle	1/2 Cycle	1/2 Cycle	1/2 Cycle	1/2 Cycle
Max. Turn-Off Time	1/2 Cycle	1/2 Cycle	1/2 Cycle	1/2 Cycle	1/2 Cycle
Power Factor (Min.) with Max. Load	0.5	0.5	0.5	0.5	0.5

## INPUT SPECIFICATIONS ①

Control Voltage Range	4-32 Vdc
Max. Turn-On Voltage	4.0 Vdc
Min. Turn-Off Voltage	1.0 Vdc
Nominal Input Impedance	See Note 5
Typical Input Current	15 mA @ 5 Vdc ⑤

## GENERAL NOTES

© 2002 CRYDOM CORP. Specifications subject to change without notice.

- ① All parameters at 25°C unless otherwise specified.
- ② Off-State dv/dt test method per EIA/NARM standard RS-443, paragraph 13.11.1
- ③ Heat sinking required, for derating curves see page 2.
- ④ Turn-on time for DC control random turn-on versions is 0.02 msec.
- ⑤ Input circuitry incorporates active current limiter.
- ⑥ **CE** Compliant only.



# CRYDOM

Control over power

## Series H12WD

25-125Amp • 480 Vac • AC Output

### GENERAL SPECIFICATIONS

Dielectric Strength 50/60Hz Input/Output/Base	4000 Vrms
Insulation Resistance (Min.) @ 500 Vdc	10 <sup>9</sup> Ohm
Max. Capacitance Input/Output	8 pF
Ambient Operating Temperature Range	-40 to 80°C
Ambient Storage Temperature Range	-40 to 125°C

### MECHANICAL SPECIFICATIONS

Weight: (typical)	3.0 oz. (86.5g)
Encapsulation:	Thermally Conductive Epoxy
Terminals:	Screws and Saddle Clamps Furnished, Unmounted

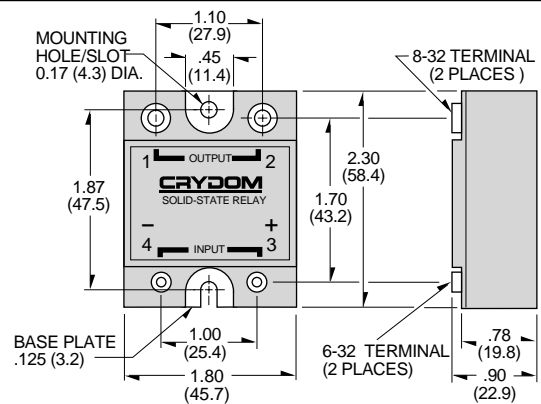
**Crydom Heat Sinks** offer excellent thermal management and are perfectly matched to the load current ratings of Crydom panel mount relays. Request Crydom's Heat Sink specification sheet for all the details.

#### Available Options

- F** Faston Terminals.  
(Up to 50 Amp Models)  
Example: **H12WD4850F**
- G** Input Status LED.  
Agencies Approval Pending  
Example: **H12WD4850G**  
**Note:** Control Voltage Range 5.5-32 Vdc
- P** Internal Overvoltage Protection.  
Relay Will Self Trigger Between 900-1200Vpk. Not Suitable For Capacitive Loads.  
Agencies Approval Pending.  
Example: **H12WD4850P**
- 10** Random Turn-On.  
Example: **H12WD4850-10**

**Ordering System:** Combination of the suffixes should be made in the following order:  
**FPG-10.**

Example: **H12WD4850FPG-10**

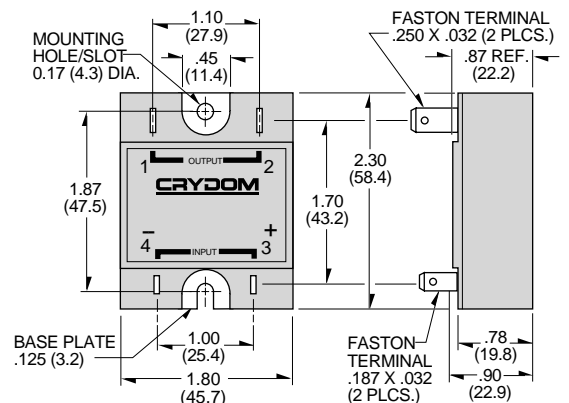


#### Screw Torque Requirements:

6-32 Screws - 10 in. lbs.,  
8-32 and 10-32 Screws - 20in. lbs.  
(Screws dry without grease.)

#### Fastons:

Single pair (up to 25A)  
Double pair\* (up to 50A).  
\*Caution: User must connect to both pairs



All dimensions are in inches (millimeters)

#### APPROVALS

UL E116949  
CSA LR81689  
VDE 10143 UG



SERIES H12WD.  
REV. 031802  
PAGE 2 OF 3

© 2002 CRYDOM CORP, Specifications subject to change without notice.

For recommended applications and more information contact:  
**USA: Sales Support (877) 502-5500 Tech Support (877) 702-7700 FAX (619) 710-8540**  
Crydom Corp, 2320 Paseo de las Americas, Ste. 201, San Diego, CA 92154  
**Email:** sales@crydom.com **WEB SITE:** http://www.crydom.com  
**UK:** +44 (0)1202 365070 • **FAX** +44 (0)1202 365090 Crydom International Ltd., 7 Cobham Road, Ferndown Industrial Estate, Ferndown, Dorset BH21 7PE, **Email:** intsales@crydom.com.  
**GERMANY:** +49 (0)180 3000 506

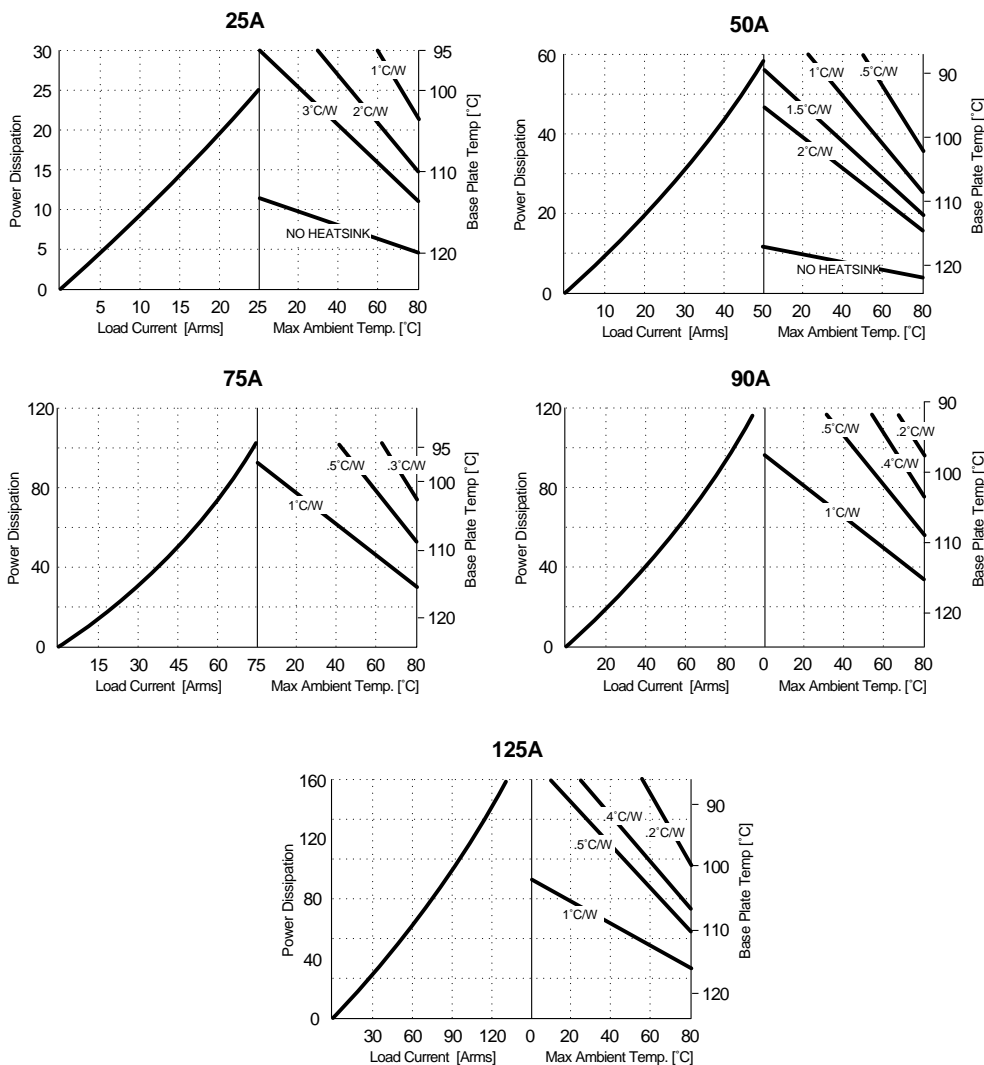


# Series H12WD

25-125Amp • 480 Vac • AC Output



## CURRENT DERATING CURVES



© 2002 CRYDOM CORP, Specifications subject to change without notice.

