

HD74LV1GT66A

Analog Switch

REJ03D0121-0700Z
(Previous ADE-205-565E (Z))
Rev.7.00
Sep.25.2003

Description

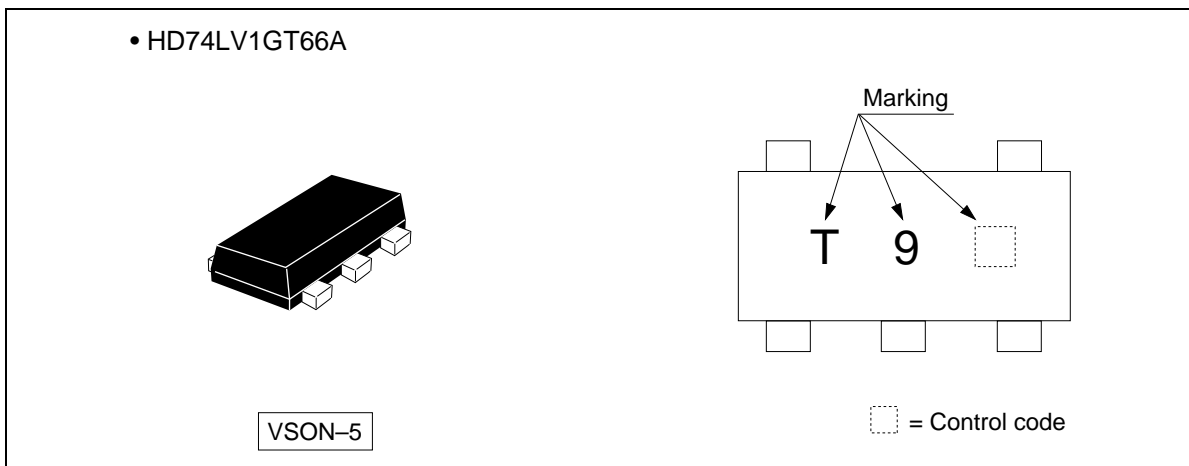
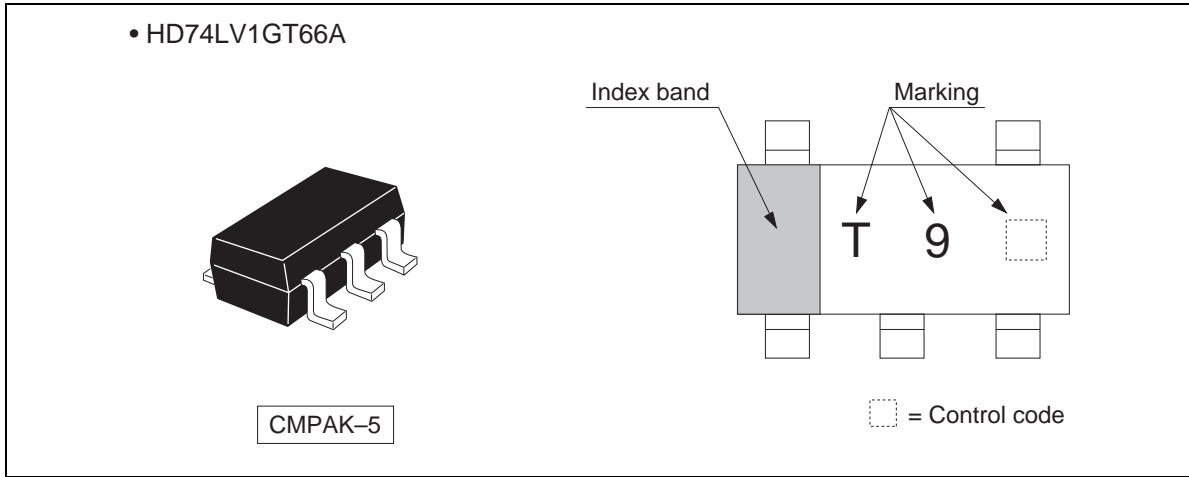
The HD74LV1GT66A has an analog switch in a 5 pin package. Switch section has its enable input control (C). High-level voltage applied to C turns on the switch section. Applications include signal gating, chopping, modulation, or demodulation (modem), and signal multiplexing for analog to digital and digital to analog conversion systems. Low voltage and high-speed operation is suitable for the battery powered products (e.g., notebook computers), and the low power consumption extends the battery life.

Features

- The basic gate function is lined up as Renesas uni logic series.
- Supplied on emboss taping for high-speed automatic mounting.
- Control input is TTL compatible input level.
Supply voltage range : 3.0 to 5.5 V
Operating temperature range : -40 to +85°C
- Control inputs V_{IH} (Max.) = 5.5 V (@ V_{CC} = 0 V to 5.5 V)
- Control inputs have hysteresis voltage for the slow transition.
- Ordering Information

Part Name	Package Type	Package Code	Package Abbreviation	Taping Abbreviation (Quantity)
HD74LV1GT66ACME	CMPAK-5 pin	CMPAK-5V	CM	E (3,000 pcs/reel)
		CMPAK-5V(O)		
HD74LV1GT66AVSE	VSON-5 pin	TNP-5DV	VS	

Outline and Article Indication



HD74LV1GT66A

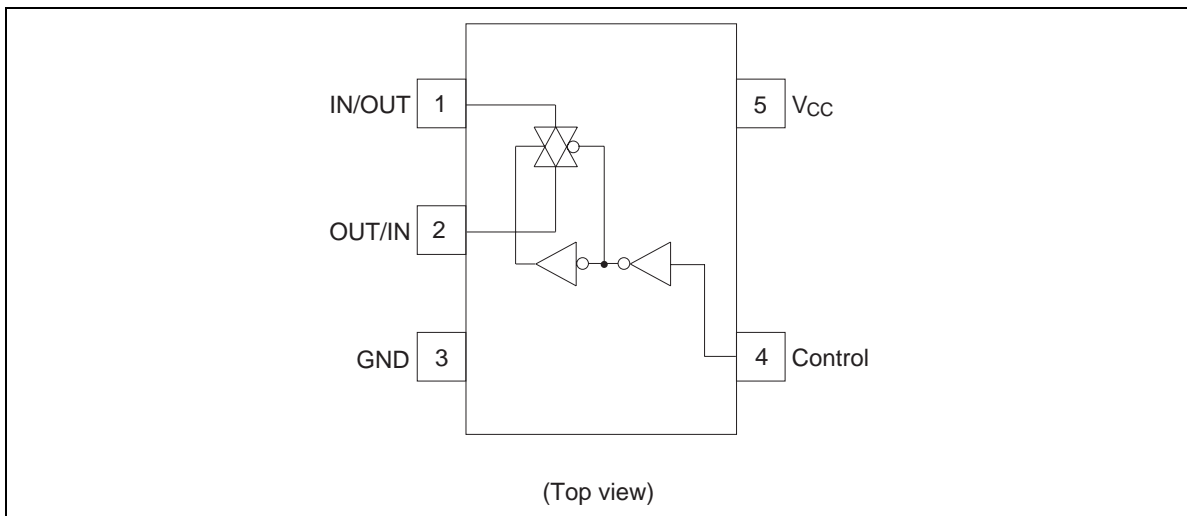
Function Table

Control	Switch
L	OFF
H	ON

H : High level

L : Low level

Pin Arrangement



Absolute Maximum Ratings

Item	Symbol	Ratings	Unit	Test Conditions
Supply voltage range	V_{CC}	-0.5 to 7.0	V	
Input voltage range ^{*1}	V_I	-0.5 to 7.0	V	
Output voltage range ^{*1, 2}	V_O	-0.5 to $V_{CC} + 0.5$	V	Output : H or L
Input clamp current	I_{IK}	-20	mA	$V_I < 0$
Output clamp current	I_{OK}	± 50	mA	$V_O < 0$ or $V_O > V_{CC}$
Continuous output current	I_O	± 25	mA	$V_O = 0$ to V_{CC}
Continuous current through V_{CC} or GND	I_{CC} or I_{GND}	± 50	mA	
Maximum power dissipation at $T_a = 25^\circ\text{C}$ (in still air) ^{*3}	P_T	200	mW	
Storage temperature	T_{stg}	-65 to 150	$^\circ\text{C}$	

Notes: The absolute maximum ratings are values, which must not individually be exceeded, and furthermore no two of which may be realized at the same time.

1. The input and output voltage ratings may be exceeded if the input and output clamp-current ratings are observed.
2. This value is limited to 5.5 V maximum.
3. The maximum package power dissipation was calculated using a junction temperature of 150 $^\circ\text{C}$.

Recommended Operating Conditions

Item	Symbol	Min	Max	Unit	Conditions
Supply voltage range	V_{CC}	3.0	5.5	V	
Input voltage range	V_I	0	5.5	V	
Input / output voltage range	V_{IO}	0	V_{CC}	V	
Input transition rise or fall rate	$\Delta t / \Delta v$	0	100	ns / V	$V_{CC} = 3.0$ to 3.6 V
		0	20		$V_{CC} = 4.5$ to 5.5 V
Operating free-air temperature	T_a	-40	85	$^\circ\text{C}$	

Note: Unused or floating control inputs must be held high or low.

Electrical Characteristics

Item	Symbol	V_{CC} (V)	$T_a = 25^\circ\text{C}$			$T_a = -40 \text{ to } 85^\circ\text{C}$			Unit	Test Conditions
			Min	Typ	Max	Min	Typ	Max		
Input voltage	V_{IH}	3.0 to 3.6	—	—	—	1.5	—	—	V	Control input only
		4.5 to 5.5	—	—	—	2.0	—	—		
	V_{IL}	3.0 to 3.6	—	—	—	—	—	0.6		
		4.5 to 5.5	—	—	—	—	—	0.8		
Hysteresis voltage	V_H	3.3	—	—	—	—	0.10	—	V	$V_T^+ - V_T^-$
		5.0	—	—	—	—	0.15	—		
On-state switch resistance	R_{ON}	3.0	—	50	150	—	—	190	Ω	$V_{IN} = V_{CC}$ or GND $V_C = V_{IH}$ $I_T = 1 \text{ mA}$
		4.5	—	40	75	—	—	100		
Peak on resistance	$R_{ON(P)}$	3.0	—	100	180	—	—	225	Ω	$V_{IN} = V_{CC}$ to GND $V_C = V_{IH}$ $I_T = 1 \text{ mA}$
		4.5	—	50	100	—	—	125		
Off-state switch leakage current	$I_{s(OFF)}$	5.5	—	—	± 0.1	—	—	± 1.0	μA	$V_{IN} = V_{CC}$, $V_{OUT} = \text{GND}$ or $V_{IN} = \text{GND}$, $V_O = V_{CC}$, $V_C = V_{IL}$
On-state switch leakage current	$I_{s(ON)}$	5.5	—	—	± 0.1	—	—	± 1.0	μA	$V_{IN} = V_{CC}$ or GND $V_C = V_{IH}$
Input current	I_{IN}	0 to 5.5	—	—	± 0.1	—	—	± 1.0	μA	$V_{IN} = 5.5 \text{ V}$ or GND
Quiescent supply current	I_{CC}	5.5	—	—	—	—	—	10	μA	$V_{IN} = V_{CC}$ or GND
		ΔI_{CC}	5.5	—	—	—	—	—		
Control input capacitance	C_{IC}	—	—	3.5	—	—	—	—	pF	
Switch terminal capacitance	$C_{IN/OUT}$	—	—	4.0	—	—	—	—	pF	
Feed through capacitance	C_{IN-OUT}	—	—	0.5	—	—	—	—	pF	

Switching Characteristics

- $V_{CC} = 3.3 \pm 0.3$ V

Item	Symbol	Ta = 25°C			Ta = -40 to 85°C		Unit	Test Conditions	FROM (Input)	TO (Output)
		Min	Typ	Max	Min	Max				
Propagation delay time	t _{PLH}	—	1.5	6.0	—	10.0	ns	C _L = 15 pF	IN/OUT or OUT/IN	OUT/IN or IN/OUT
	t _{PHL}	—	4.0	9.0	—	12.0		C _L = 50 pF		
Enable time	t _{ZH}	—	4.0	11.0	—	15.0	ns	C _L = 15 pF	C	IN/OUT or OUT/IN
	t _{ZL}	—	6.0	18.0	—	22.0		C _L = 50 pF		
Disable time	t _{HZ}	—	5.0	11.0	—	15.0	ns	C _L = 15 pF	C	IN/OUT or OUT/IN
	t _{LZ}	—	8.0	18.0	—	22.0		C _L = 50 pF		

- $V_{CC} = 5.0 \pm 0.5$ V

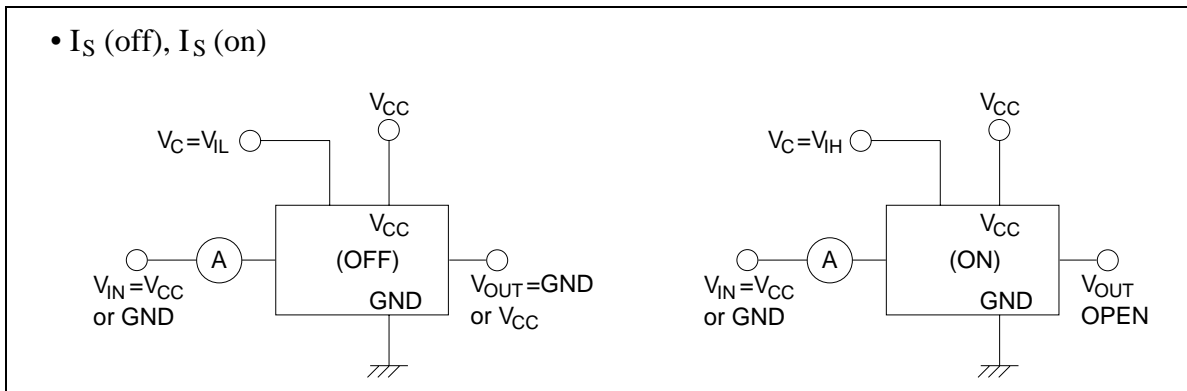
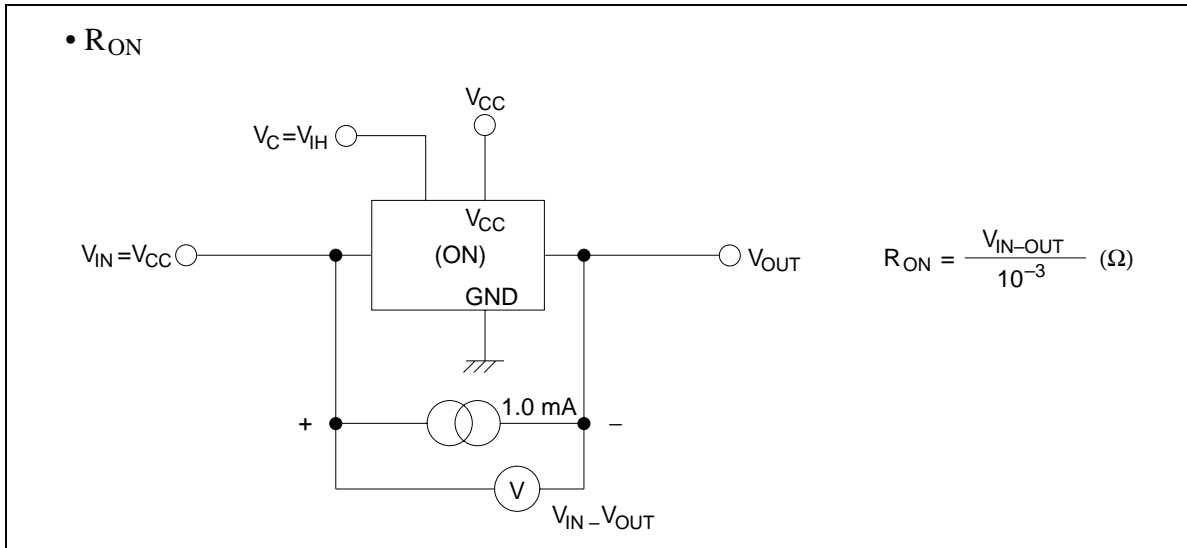
Item	Symbol	Ta = 25°C			Ta = -40 to 85°C		Unit	Test Conditions	FROM (Input)	TO (Output)
		Min	Typ	Max	Min	Max				
Propagation delay time	t _{PLH}	—	1.0	4.0	—	7.0	ns	C _L = 15 pF	IN/OUT or OUT/IN	OUT/IN or IN/OUT
	t _{PHL}	—	3.0	6.0	—	8.0		C _L = 50 pF		
Enable time	t _{ZH}	—	3.0	7.0	—	10.0	ns	C _L = 15 pF	C	IN/OUT or OUT/IN
	t _{ZL}	—	5.0	12.0	—	16.0		C _L = 50 pF		
Disable time	t _{HZ}	—	4.0	7.0	—	10.0	ns	C _L = 15 pF	C	IN/OUT or OUT/IN
	t _{LZ}	—	6.0	12.0	—	16.0		C _L = 50 pF		

Operating Characteristics

- C_L = 50 pF

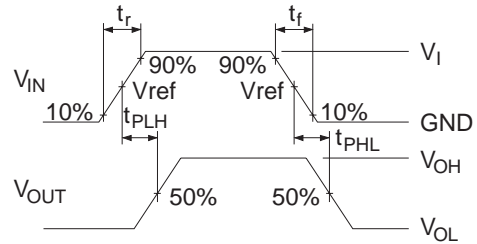
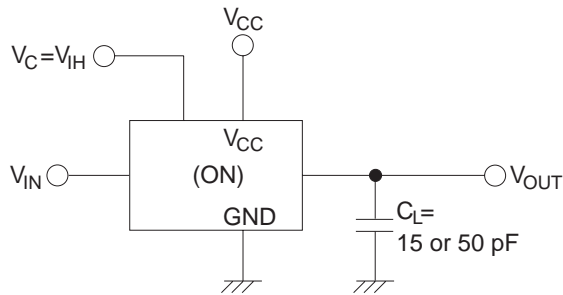
Item	Symbol	V _{CC} (V)	Ta = 25°C			Unit	Test Conditions
			Min	Typ	Max		
Power dissipation capacitance	C _{PD}	5.0	—	4.0	—	pF	f = 10 MHz

Test Circuit



HD74LV1GT66A

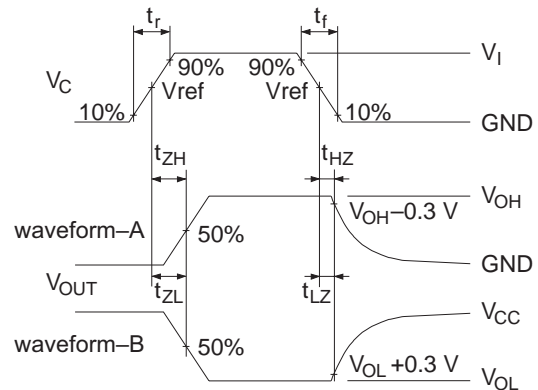
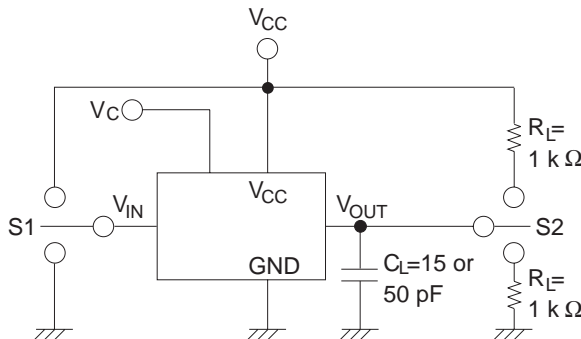
• t_{PLH}, t_{PHL}



V_{CC} (V)	INPUTS		Vref
	V_I	t_r / t_f	
3.3 ± 0.3	2.5 V	≤ 3.0 ns	50%
5.0 ± 0.5	3 V	≤ 3.0 ns	1.5 V

- Notes:
1. Input waveform: $PRR \leq 1$ MHz, $Z_o = 50 \Omega$.
 2. The output are measured one at a time with one transition per measurement.

• $t_{ZH}, t_{ZL} / t_{HZ}, t_{LZ}$



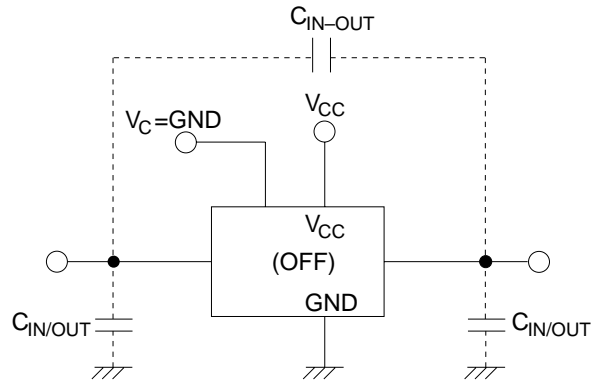
Item	S1	S2
t_{ZH}	V_{CC}	GND
t_{ZL}	GND	V_{CC}
t_{HZ}	V_{CC}	GND
t_{LZ}	GND	V_{CC}

V_{CC} (V)	INPUTS		Vref
	V_I	t_r / t_f	
3.3 ± 0.3	2.5 V	≤ 3.0 ns	50%
5.0 ± 0.5	3 V	≤ 3.0 ns	1.5 V

- Notes:
1. Input waveform: $PRR \leq 1$ MHz, $Z_o = 50 \Omega$.
 2. Waveform-A is for an output with internal conditions such that the output is low except when disabled by the output control.
 3. Waveform-B is for an output with internal conditions such that the output is high except when disabled by the output control.
 4. The output are measured one at a time with one transition per measurement.

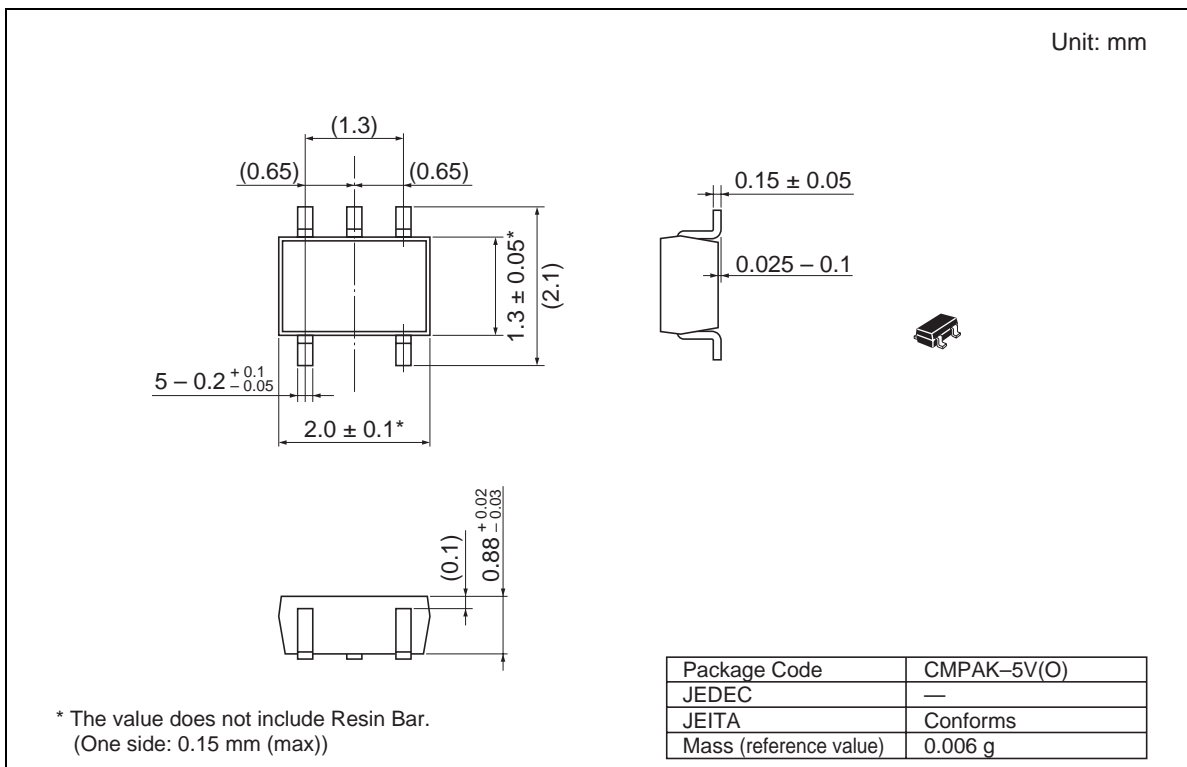
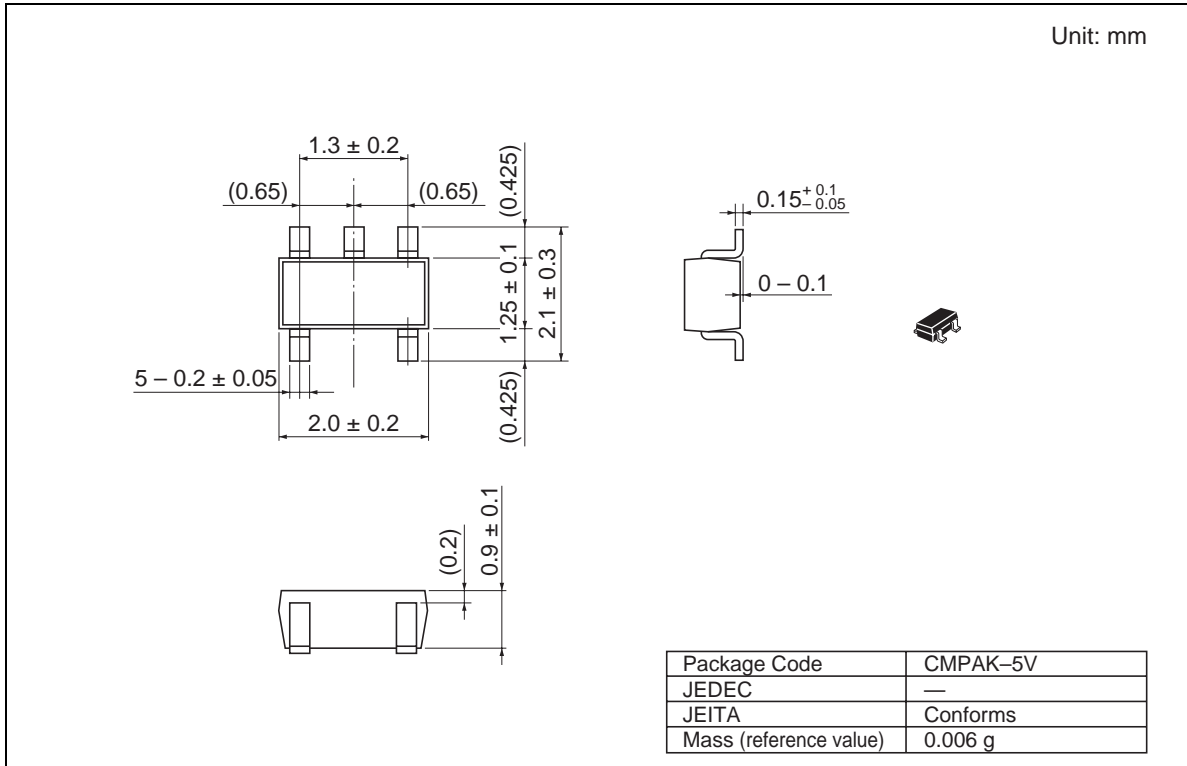
HD74LV1GT66A

- $C_{IN/OUT}$, C_{IN-OUT}

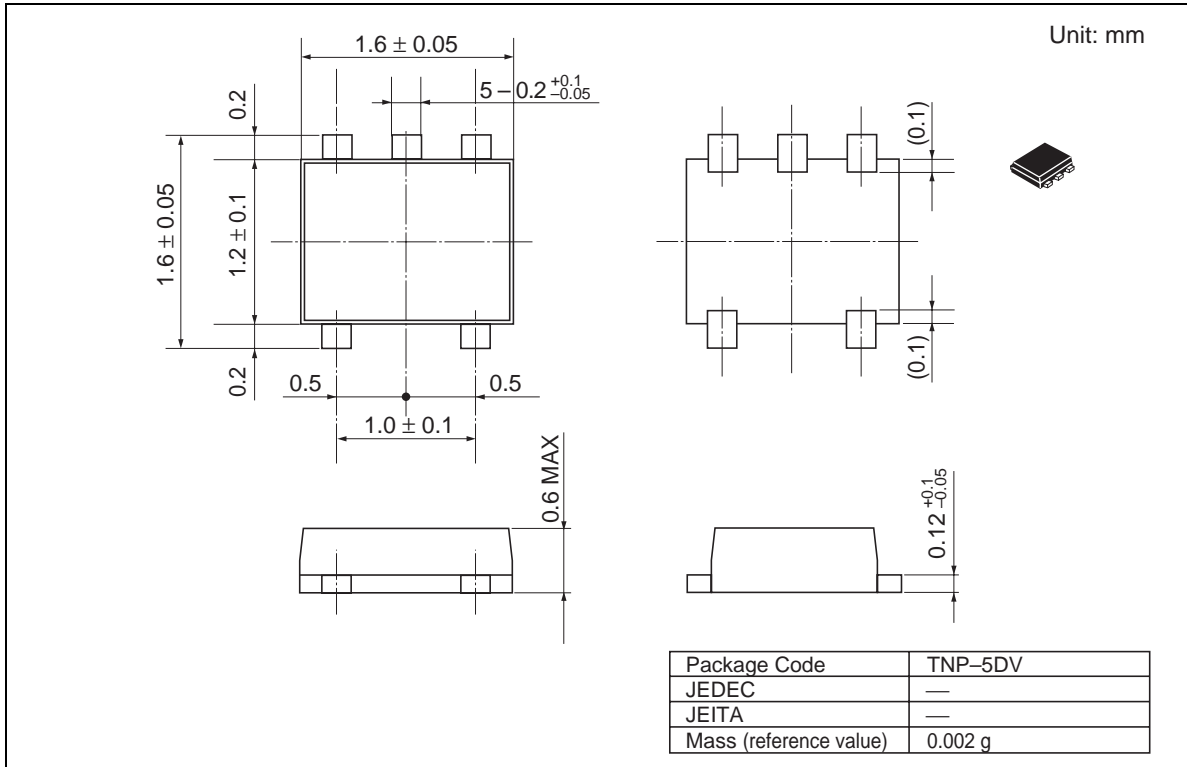


HD74LV1GT66A

Package Dimensions



HD74LV1GT66A



Renesas Technology Corp. Sales Strategic Planning Div. Nippon Bldg., 2-6-2, Ohte-machi, Chiyoda-ku, Tokyo 100-0004, Japan

Keep safety first in your circuit designs!

1. Renesas Technology Corp. puts the maximum effort into making semiconductor products better and more reliable, but there is always the possibility that trouble may occur with them. Trouble with semiconductors may lead to personal injury, fire or property damage.
Remember to give due consideration to safety when making your circuit designs, with appropriate measures such as (i) placement of substitutive, auxiliary circuits, (ii) use of nonflammable material or (iii) prevention against any malfunction or mishap.

Notes regarding these materials

1. These materials are intended as a reference to assist our customers in the selection of the Renesas Technology Corp. product best suited to the customer's application; they do not convey any license under any intellectual property rights, or any other rights, belonging to Renesas Technology Corp. or a third party.
 2. Renesas Technology Corp. assumes no responsibility for any damage, or infringement of any third-party's rights, originating in the use of any product data, diagrams, charts, programs, algorithms, or circuit application examples contained in these materials.
 3. All information contained in these materials, including product data, diagrams, charts, programs and algorithms represents information on products at the time of publication of these materials, and are subject to change by Renesas Technology Corp. without notice due to product improvements or other reasons. It is therefore recommended that customers contact Renesas Technology Corp. or an authorized Renesas Technology Corp. product distributor for the latest product information before purchasing a product listed herein.
The information described here may contain technical inaccuracies or typographical errors.
Renesas Technology Corp. assumes no responsibility for any damage, liability, or other loss rising from these inaccuracies or errors.
Please also pay attention to information published by Renesas Technology Corp. by various means, including the Renesas Technology Corp. Semiconductor home page (<http://www.renesas.com>).
 4. When using any or all of the information contained in these materials, including product data, diagrams, charts, programs, and algorithms, please be sure to evaluate all information as a total system before making a final decision on the applicability of the information and products. Renesas Technology Corp. assumes no responsibility for any damage, liability or other loss resulting from the information contained herein.
 5. Renesas Technology Corp. semiconductors are not designed or manufactured for use in a device or system that is used under circumstances in which human life is potentially at stake. Please contact Renesas Technology Corp. or an authorized Renesas Technology Corp. product distributor when considering the use of a product contained herein for any specific purposes, such as apparatus or systems for transportation, vehicular, medical, aerospace, nuclear, or undersea repeater use.
 6. The prior written approval of Renesas Technology Corp. is necessary to reprint or reproduce in whole or in part these materials.
 7. If these products or technologies are subject to the Japanese export control restrictions, they must be exported under a license from the Japanese government and cannot be imported into a country other than the approved destination.
Any diversion or reexport contrary to the export control laws and regulations of Japan and/or the country of destination is prohibited.
 8. Please contact Renesas Technology Corp. for further details on these materials or the products contained therein.
-



RENESAS SALES OFFICES

<http://www.renesas.com>

Renesas Technology America, Inc.
450 Holger Way, San Jose, CA 95134-1368, U.S.A
Tel: <1> (408) 382-7500 Fax: <1> (408) 382-7501

Renesas Technology Europe Limited.
Dukes Meadow, Millboard Road, Bourne End, Buckinghamshire, SL8 5FH, United Kingdom
Tel: <44> (1628) 585 100, Fax: <44> (1628) 585 900

Renesas Technology Europe GmbH
Dornacher Str. 3, D-85622 Feldkirchen, Germany
Tel: <49> (89) 380 70 0, Fax: <49> (89) 929 30 11

Renesas Technology Hong Kong Ltd.
7/F., North Tower, World Finance Centre, Harbour City, Canton Road, Hong Kong
Tel: <852> 2265-6688, Fax: <852> 2375-6836

Renesas Technology Taiwan Co., Ltd.
FL 10, #99, Fu-Hsing N. Rd., Taipei, Taiwan
Tel: <886> (2) 2715-2888, Fax: <886> (2) 2713-2999

Renesas Technology (Shanghai) Co., Ltd.
26/F., Ruijin Building, No.205 Maoming Road (S), Shanghai 200020, China
Tel: <86> (21) 6472-1001, Fax: <86> (21) 6415-2952

Renesas Technology Singapore Pte. Ltd.
1, Harbour Front Avenue, #06-10, Keppel Bay Tower, Singapore 098632
Tel: <65> 6213-0200, Fax: <65> 6278-8001