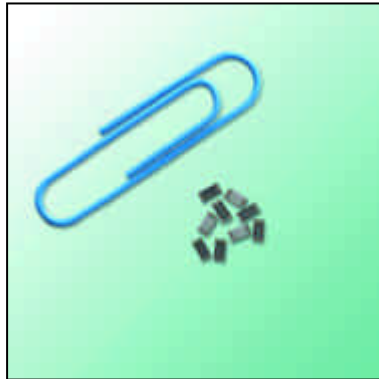
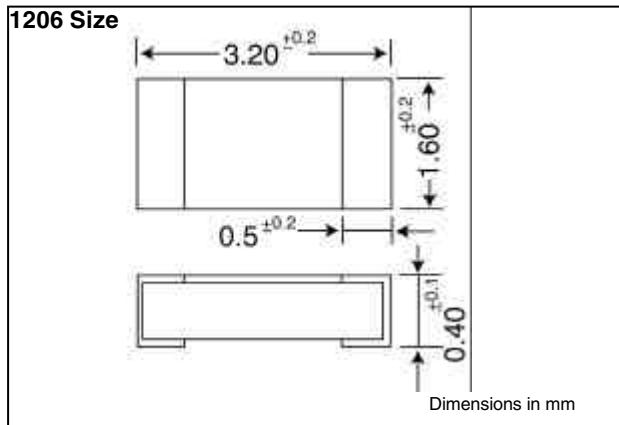


25ppm/°C 0.1% Precision Thin Film Chip RR1632 Series



RR Precision surface mount chip resistors provide excellent temperature stability combined with low noise and good high frequency response. The resistive element is a Ni-Cr film and the wrap around terminations are solder plated with a leach resistant Nickel barrier. They are suitable for all soldering methods including vapour phase, reflow and wave soldering.

- 25ppm/°C
- 0.1%



Specifications:

T.C.	±25ppm/°C
Power rating	1/8 W
Max. operating voltage	150 V
Operating Temp. Range	-55°C to +125°C
Maximum Ambient Temp. at Rated Power	+70°C
Insulation resistance	Over 1,000 MΩ