

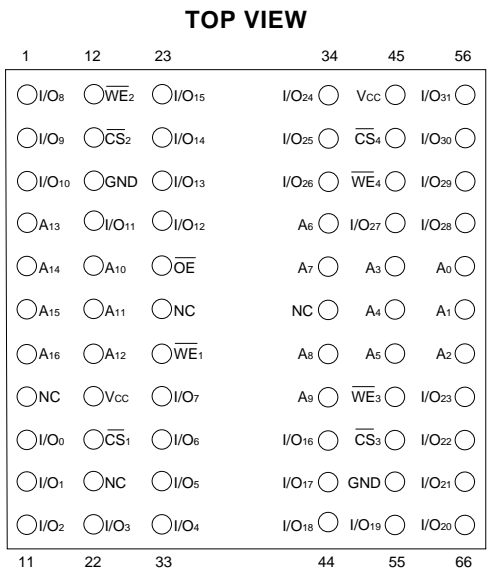


128Kx32 EEPROM MODULE, SMD 5962-94585

FEATURES

- Access Times of 120, 140, 150, 200, 250, 300ns
- Packaging:
 - 66-pin, PGA Type, 27.3mm (1.075") square, Hermetic Ceramic HIP (Package 400)
 - 68 lead, 40mm CQFP (G4), (Package 501)
 - 68 lead, 22.4mm sq. CQFP (G2T), 4.57mm (0.180") high, (Package 509)
 - 68 lead, 22.4mm sq. Low Profile CQFP (G1U), 3.57mm (0.140") high, (Package 519)
- Organized as 128Kx32; User Configurable as 256Kx16 or 512Kx8
- Write Endurance 10,000 Cycles
- Data Retention Ten Years Minimum (at +25°C)
- Commercial, Industrial and Military Temperature Ranges
- Low Power CMOS
- Automatic Page Write Operation
- Page Write Cycle Time: 10ms Max
- Data Polling for End of Write Detection
- Hardware and Software Data Protection
- TTL Compatible Inputs and Outputs
- 5 Volt Power Supply
- Built-in Decoupling Caps and Multiple Ground Pins for Low Noise Operation
- Weight
 - WE128K32-XG2TX - 8 grams typical
 - WE128K32-XG1UX - 5 grams typical
 - WE128K32-XH1X - 13 grams typical
 - WE128K32-XG4X - 20 grams typical

FIG. 1 PIN CONFIGURATION FOR WE128K32N-XH1X



PIN DESCRIPTION

| | |
|---------------------|---------------------|
| I/O ₀₋₃₁ | Data Inputs/Outputs |
| A ₀₋₁₆ | Address Inputs |
| \overline{WE}_1-4 | Write Enables |
| \overline{CS}_1-4 | Chip Selects |
| \overline{OE} | Output Enable |
| V _{CC} | Power Supply |
| GND | Ground |
| NC | Not Connected |

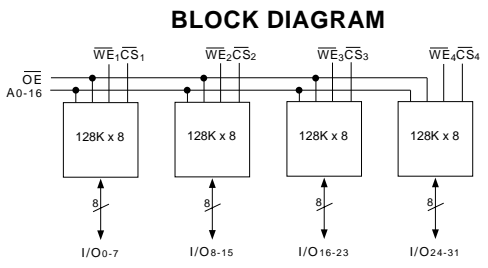




FIG. 2 PIN CONFIGURATION FOR WE128K32-XG4X

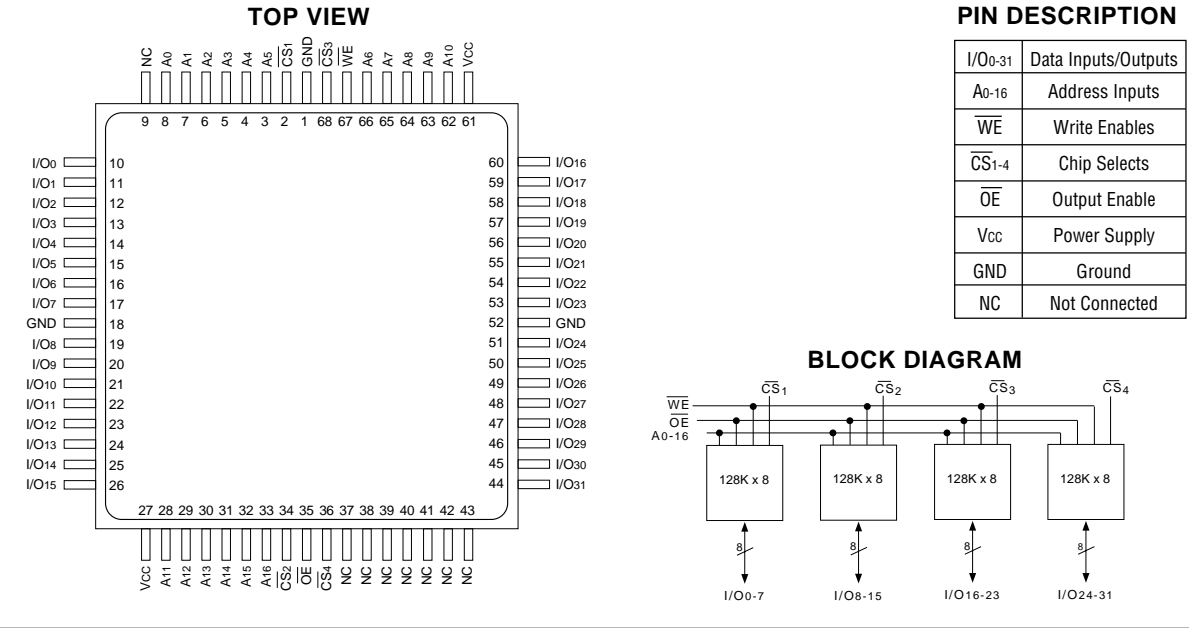
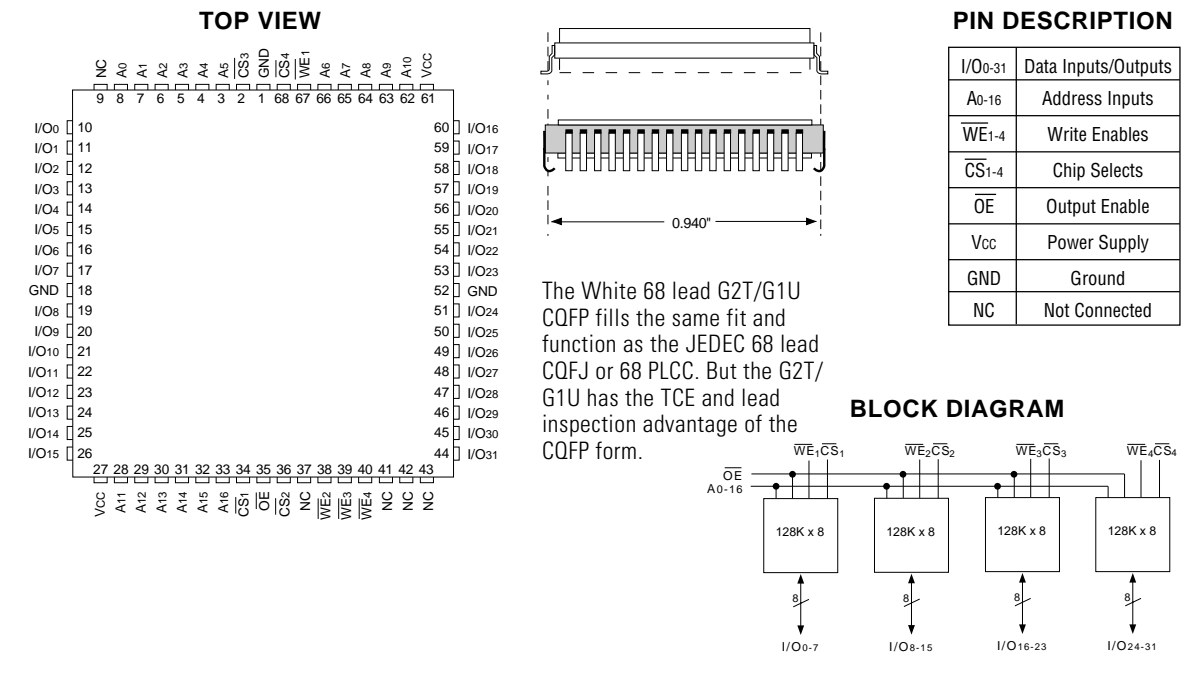


FIG. 3 PIN CONFIGURATION FOR WE128K32-XG2TX AND WE128K32-XG1UX





ABSOLUTE MAXIMUM RATINGS

| Parameter | Symbol | | Unit |
|-----------------------------------|------------------|---------------|------|
| Operating Temperature | T _A | -55 to +125 | °C |
| Storage Temperature | T _{STG} | -65 to +150 | °C |
| Signal Voltage Relative to GND | V _G | -0.6 to +6.25 | V |
| Voltage on \overline{OE} and A9 | | -0.6 to +13.5 | V |

NOTE:

Stresses above those listed under "Absolute Maximum Ratings" may cause permanent damage to the device. This is a stress rating only and functional operation of the device at these or any other conditions above those indicated in the operational sections of this specification is not implied. Exposure to absolute maximum rating conditions for extended periods may affect device reliability.

RECOMMENDED OPERATING CONDITIONS

| Parameter | Symbol | Min | Max | Unit |
|------------------------|-----------------|------|-----------------------|------|
| Supply Voltage | V _{CC} | 4.5 | 5.5 | V |
| Input High Voltage | V _{IH} | 2.0 | V _{CC} + 0.3 | V |
| Input Low Voltage | V _{IL} | -0.5 | +0.8 | V |
| Operating Temp. (Mil.) | T _A | -55 | +125 | °C |
| Operating Temp. (Ind.) | T _A | -40 | +85 | °C |

TRUTH TABLE

| \overline{CS} | \overline{OE} | \overline{WE} | Mode | Data I/O |
|-----------------|-----------------|-----------------|-------------|-----------------|
| H | X | X | Standby | High Z |
| L | L | H | Read | Data Out |
| L | H | L | Write | Data In |
| X | H | X | Out Disable | High Z/Data Out |
| X | X | H | Write | |
| X | L | X | Inhibit | |

CAPACITANCE

(T_A = +25°C)

| Parameter | Symbol | Conditions | Max | Unit |
|--|------------------|-------------------------------------|-----|------|
| \overline{OE} capacitance | C _{OE} | V _{IN} = 0 V, f = 1.0 MHz | 50 | pF |
| \overline{WE} 1-4 capacitance HIP (PGA) | C _{WE} | V _{IN} = 0 V, f = 1.0 MHz | 20 | pF |
| CQFP G4 | | | 50 | |
| CQFP G2T/G1U | | | 20 | |
| \overline{CS} 1-4 capacitance | C _{CS} | V _{IN} = 0 V, f = 1.0 MHz | 20 | pF |
| Data I/O capacitance | C _{I/O} | V _{I/O} = 0 V, f = 1.0 MHz | 20 | pF |
| Address input capacitance | C _{AD} | V _{IN} = 0 V, f = 1.0 MHz | 50 | pF |

This parameter is guaranteed by design but not tested.

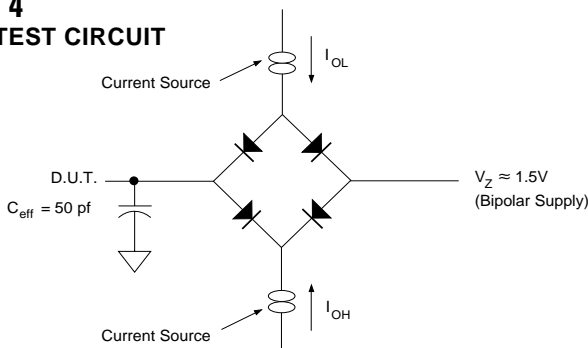
DC CHARACTERISTICS

(V_{CC} = 5.0V, V_{SS} = 0V, T_A = -55°C to +125°C)

| Parameter | Symbol | Conditions | Min | Max | Unit |
|------------------------------------|--------------------|---|-----|------|------|
| Input Leakage Current | I _{LI} | V _{CC} = 5.5, V _{IN} = GND to V _{CC} | | 10 | μA |
| Output Leakage Current | I _{LOx32} | \overline{CS} = V _{IH} , \overline{OE} = V _{IH} , V _{OUT} = GND to V _{CC} | | 10 | μA |
| Operating Supply Current x 32 Mode | I _{CCx32} | \overline{CS} = V _{IL} , \overline{OE} = V _{IH} , f = 5MHz | | 250 | mA |
| Standby Current | I _{SB} | \overline{CS} = V _{IH} , \overline{OE} = V _{IH} , f = 5MHz | | 2.5 | mA |
| Output Low Voltage | V _{OL} | I _{OL} = 2.1mA, V _{CC} = 4.5V | | 0.45 | V |
| Output High Voltage | V _{OH} | I _{OH} = -400μA, V _{CC} = 4.5V | 2.4 | | V |

NOTE: DC test conditions: V_{IH} = V_{CC} - 0.3V, V_{IL} = 0.3V

FIG. 4
AC TEST CIRCUIT



AC TEST CONDITIONS

| Parameter | Typ | Unit |
|----------------------------------|--|------|
| Input Pulse Levels | V _{IL} = 0, V _{IH} = 3.0 | V |
| Input Rise and Fall | 5 | ns |
| Input and Output Reference Level | 1.5 | V |
| Output Timing Reference Level | 1.5 | V |

NOTES:

V_Z is programmable from -2V to +7V.
I_{OL} & I_{OH} programmable from 0 to 16mA.
Tester Impedance Z₀ = 75 Ω.
V_Z is typically the midpoint of V_{OH} and V_{OL}.
I_{OL} & I_{OH} are adjusted to simulate a typical resistive load circuit.
ATE tester includes jig capacitance.



WRITE

A write cycle is initiated when \overline{OE} is high and a low pulse is on \overline{WE} or \overline{CS} with \overline{CS} or \overline{WE} low. The address is latched on the falling edge of \overline{CS} or \overline{WE} whichever occurs last. The data is latched by the rising edge of \overline{CS} or \overline{WE} , whichever occurs first. A byte write operation will automatically continue to completion.

WRITE CYCLE TIMING

Figures 5 and 6 show the write cycle timing relationships. A write cycle begins with address application, write enable and chip select. Chip select is accomplished by placing the \overline{CS} line low. Write enable consists of setting the \overline{WE} line low. The write cycle begins when the last of either \overline{CS} or \overline{WE} goes low.

The \overline{WE} line transition from high to low also initiates an internal 150 μsec delay timer to permit page mode operation. Each subsequent \overline{WE} transition from high to low that occurs before the completion of the 150 μsec time out will restart the timer from zero. The operation of the timer is the same as a retriggerable one-shot.

AC WRITE CHARACTERISTICS

($V_{CC} = 5.0V$, $V_{SS} = 0V$, $T_A = -55^\circ\text{C}$ to $+125^\circ\text{C}$)

| Write Cycle Parameter | Symbol | Min | Max | Unit |
|--|-----------------------------|-----|-----|------|
| Write Cycle Time, TYP = 6ms | t _{WC} | | 10 | ms |
| Address Set-up Time | t _{AS} | 0 | | ns |
| Write Pulse Width (\overline{WE} or \overline{CS}) | t _{WP} | 150 | | ns |
| Chip Select Set-up Time | t _{CS} | 0 | | ns |
| Address Hold Time | t _{AH} | 100 | | ns |
| Data Hold Time | t _{DH} | 10 | | ns |
| Chip Select Hold Time | t _{C_{SH}} | 0 | | ns |
| Data Set-up Time | t _{DS} | 100 | | ns |
| Output Enable Set-up Time | t _{OES} | 10 | | ns |
| Output Enable Hold Time | t _{OEH} | 10 | | ns |
| Write Pulse Width High | t _{WPH} | 50 | | ns |



FIG. 5
WRITE WAVEFORMS
WE CONTROLLED

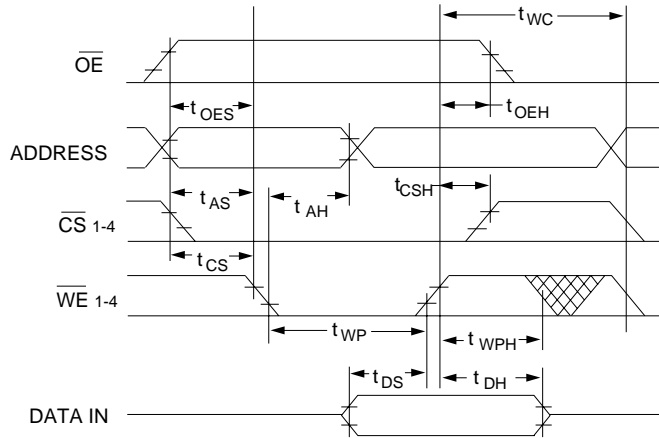
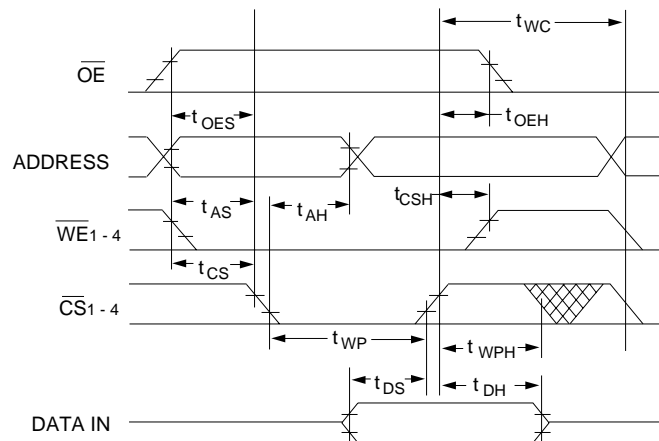


FIG. 6
WRITE WAVEFORMS
CS CONTROLLED





READ

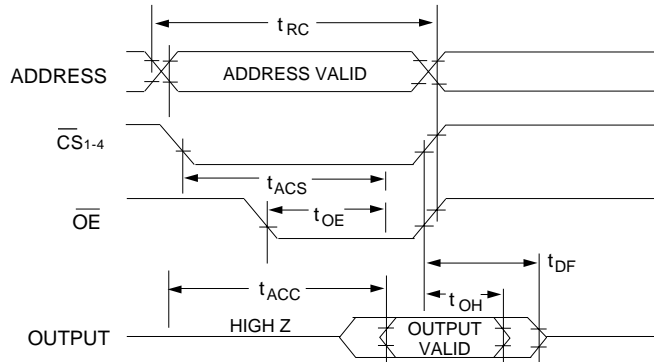
The WE128K32-XXX stores data at the memory location determined by the address pins. When \overline{CS} and \overline{OE} are low and \overline{WE} is high, this data is present on the outputs. When \overline{CS} and \overline{OE} are high, the outputs are in a high impedance state. This two line control prevents bus contention.

AC READ CHARACTERISTICS

($V_{CC} = 5.0V, V_{SS} = 0V, T_A = -55^\circ C$ to $+125^\circ C$)

| Read Cycle Parameter | Symbol | -120 | | -140 | | -150 | | -200 | | -250 | | -300 | | Unit |
|--|-----------|------|-----|------|-----|------|-----|------|-----|------|-----|------|-----|------|
| | | Min | Max | Min | Max | Min | Max | Min | Max | Min | Max | Min | Max | |
| Read Cycle Time | t_{RC} | 120 | | 140 | | 150 | | 200 | | 250 | | 300 | | ns |
| Address Access Time | t_{ACC} | | 120 | | 140 | | 150 | | 200 | | 250 | | 300 | ns |
| Chip Select Access Time | t_{ACS} | | 120 | | 140 | | 150 | | 200 | | 250 | | 300 | ns |
| Output Hold from Add. Change, \overline{OE} or \overline{CS} | t_{OH} | 0 | | 0 | | 0 | | 0 | | 0 | | 0 | | ns |
| Output Enable to Output Valid | t_{OE} | 0 | 50 | 0 | 55 | 0 | 55 | 0 | 55 | 0 | 85 | 0 | 85 | ns |
| Chip Select or \overline{OE} to High Z Output | t_{DF} | | 70 | | 70 | | 70 | | 70 | | 70 | | 70 | ns |

FIG. 7
READ WAVEFORMS



NOTES:

\overline{OE} may be delayed up to $t_{ACS} - t_{OE}$ after the falling edge of \overline{CS} without impact on t_{OE} or by $t_{ACC} - t_{OE}$ after an address change without impact on t_{ACC} .



DATA POLLING

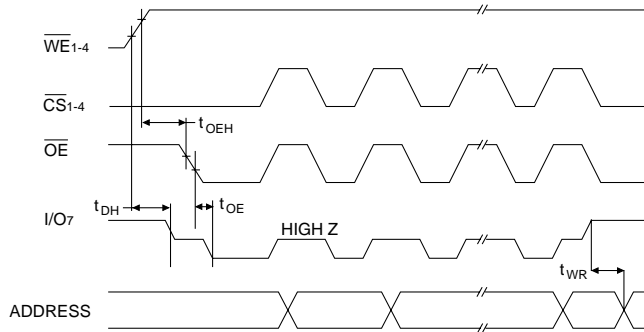
The WE128K32-XXX offers a data polling feature which allows a faster method of writing to the device. Figure 8 shows the timing diagram for this function. During a byte or page write cycle, an attempted read of the last byte written will result in the complement of the written data on D7 (for each chip.) Once the write cycle has been completed, true data is valid on all outputs and the next cycle may begin. Data polling may begin at any time during the write cycle.

DATA POLLING CHARACTERISTICS

(Vcc = 5.0V, Vss = 0V, TA = -55°C to +125°C)

| Parameter | Symbol | Min | Max | Unit |
|---------------------------------|------------------|-----|-----|------|
| Data Hold Time | t _{DH} | 10 | | ns |
| \overline{OE} Hold Time | t _{OEH} | 10 | | ns |
| \overline{OE} To Output Valid | t _{OE} | | 55 | ns |
| Write Recovery Time | t _{WR} | 0 | | ns |

FIG. 8
DATA POLLING
WAVEFORMS





PAGE WRITE OPERATION

The WE128K32-XXX has a page write operation that allows one to 128 bytes of data to be written into the device and consecutively loads during the internal programming period. Successive bytes may be loaded in the same manner after the first data byte has been loaded. An internal timer begins a time out operation at each write cycle. If another write cycle is completed within 150µs or less, a new time out period begins. Each write cycle restarts the delay period. The write cycles can be continued as long as the interval is less than the time out period.

The usual procedure is to increment the least significant address lines from A0 through A6 at each write cycle. In this manner a page of up to 128 bytes can be loaded in to the EEPROM in a burst mode before beginning the relatively long interval programming cycle.

After the 150µs time out is completed, the EEPROM begins an internal write cycle. During this cycle the entire page of bytes will be written at the same time. The internal programming cycle is the same regardless of the number of bytes accessed.

PAGE WRITE CHARACTERISTICS

(VCC = 5.0V, VSS = 0V, TA = -55°C to +125°C)

| Page Mode Write Characteristics | Symbol | Min | Max | Unit |
|---------------------------------|------------------|-----|-----|------|
| Write Cycle Time, TYP = 6ms | t _{WC} | | 10 | ms |
| Address Set-up Time | t _{AS} | 0 | | ns |
| Address Hold Time (1) | t _{AH} | 100 | | ns |
| Data Set-up Time | t _{DS} | 100 | | ns |
| Data Hold Time | t _{DH} | 10 | | ns |
| Write Pulse Width | t _{WP} | 150 | | ns |
| Byte Load Cycle Time | t _{BLC} | | 150 | µs |
| Write Pulse Width High | t _{WPH} | 50 | | ns |

1. Page address must remain valid for duration of write cycle.

FIG. 9
PAGE MODE
WRITE WAVEFORMS

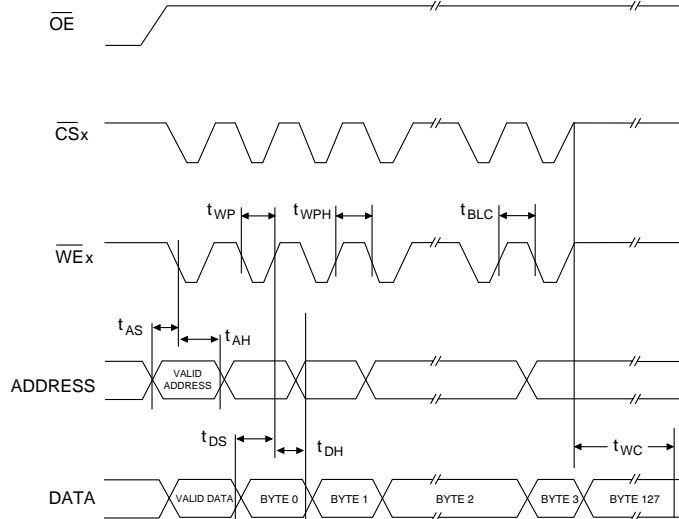
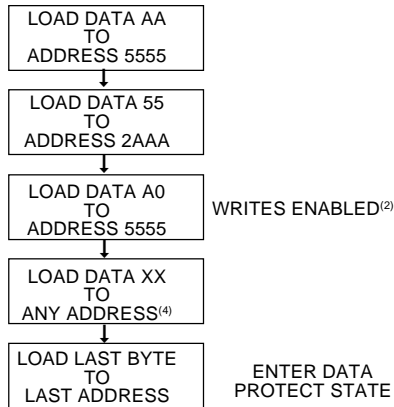




FIG. 10
SOFTWARE DATA PROTECTION
ENABLE ALGORITHM⁽¹⁾

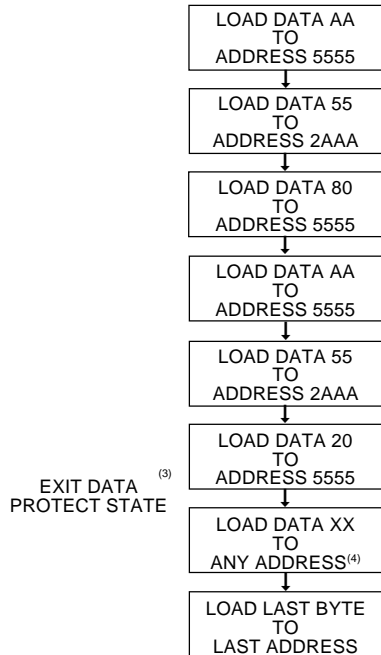


NOTES:

1. Data Format: D₇ - D₀ (Hex);
Address Format: A₁₆ - A₀ (Hex).
2. Write Protect state will be activated at end of write even if no other data is loaded.
3. Write Protect state will be deactivated at end of write period even if no other data is loaded.
4. 1 to 128 bytes of data may be loaded.



FIG. 11
SOFTWARE DATA PROTECTION
DISABLE ALGORITHM⁽¹⁾



NOTES:

1. Data Format: D7 - D0 (Hex);
Address Format: A16 - A0 (Hex).
2. Write Protect state will be activated at end of write even if no other data is loaded.
3. Write Protect state will be deactivated at end of write period even if no other data is loaded.
4. 1 to 128 bytes of data may be loaded.

SOFTWARE DATA PROTECTION

A software write protection feature may be enabled or disabled by the user. When shipped by White Microelectronics, the WE-128K32-XXX has the feature disabled. Write access to the device is unrestricted.

To enable software write protection, the user writes three access code bytes to three special internal locations. Once write protection has been enabled, each write to the EEPROM must use the same three byte write sequence to permit writing. After setting software data protection, any attempt to write to the device without the three-byte command sequence will start the internal write timers. No data will be written to the device, however, for the duration of twc. The write protection feature can be disabled by a six byte write sequence of specific data to specific locations. Power transitions will not reset the software write protection.

Each 128K byte block of the EEPROM has independent write protection. One or more blocks may be enabled and the rest disabled in any combination. The software write protection guards against inadvertent writes during power transitions, or unauthorized modification using a PROM programmer.

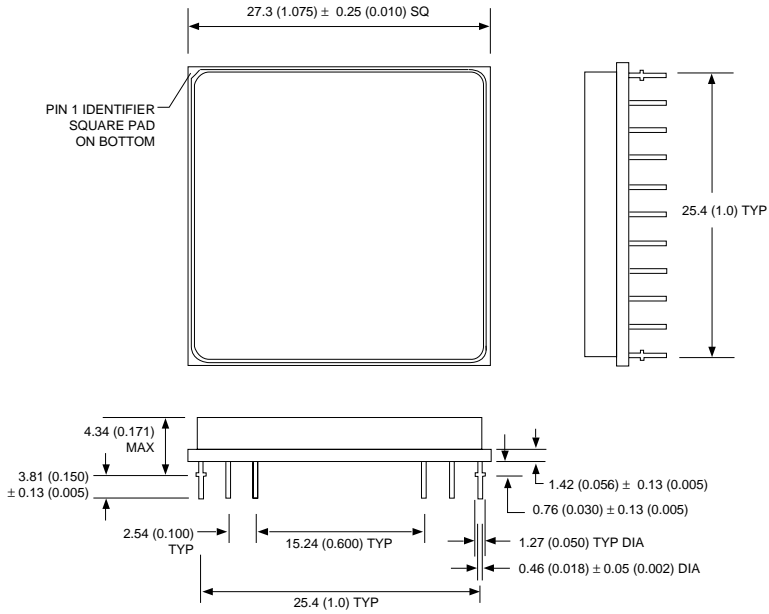
HARDWARE DATA PROTECTION

These features protect against inadvertent writes to the WE128K32-XXX. These are included to improve reliability during normal operation:

- a) Vcc power on delay**
As Vcc climbs past 3.8V typical the device will wait 5msec typical before allowing write cycles.
- b) Vcc sense**
While below 3.8V typical write cycles are inhibited.
- c) Write inhibiting**
Holding OE low and either CS or WE high inhibits write cycles.
- d) Noise filter**
Pulses of <8ns (typ) on WE or CS will not initiate a write cycle.

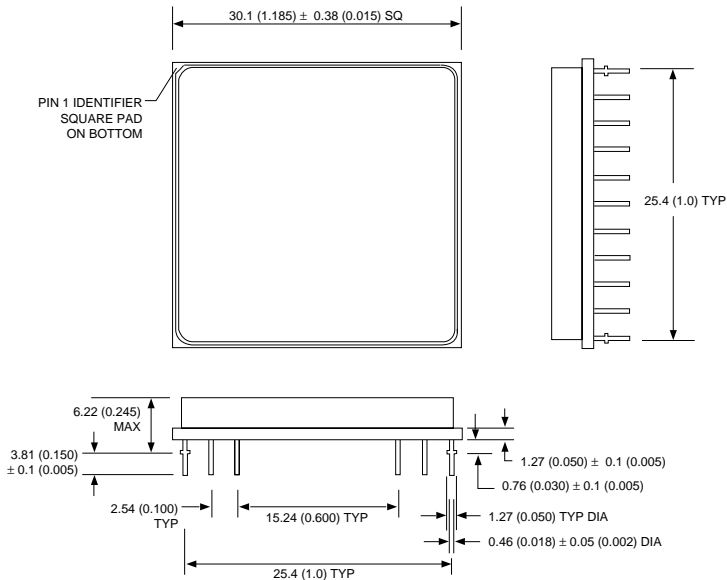


PACKAGE 400: 66 PIN, PGA TYPE, CERAMIC HEX-IN-LINE PACKAGE, HIP (H1)



ALL LINEAR DIMENSIONS ARE MILLIMETERS AND PARENTHETICALLY IN INCHES

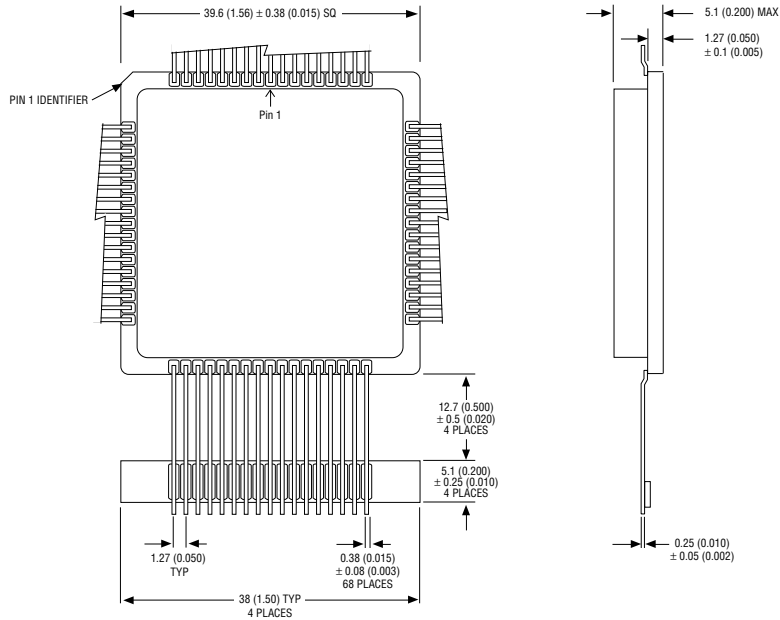
PACKAGE 401: 66 PIN, PGA TYPE, CERAMIC HEX-IN-LINE PACKAGE, HIP (H)



ALL LINEAR DIMENSIONS ARE MILLIMETERS AND PARENTHETICALLY IN INCHES

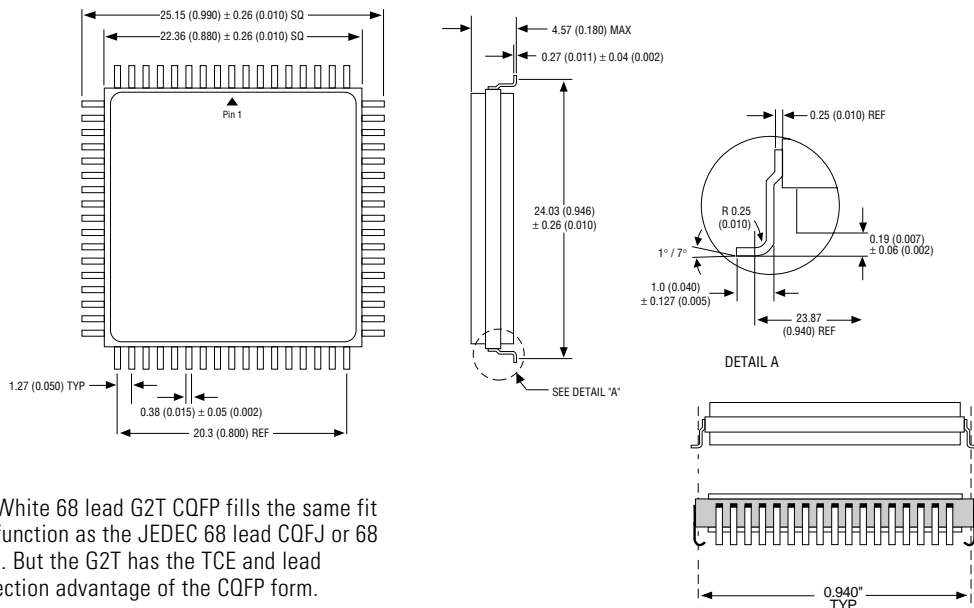


PACKAGE 501: 68 LEAD, CERAMIC QUAD FLAT PACK, CQFP (G4)



ALL LINEAR DIMENSIONS ARE MILLIMETERS AND PARENTHETICALLY IN INCHES

PACKAGE 509: 68 LEAD, CERAMIC QUAD FLAT PACK, CQFP (G2T)

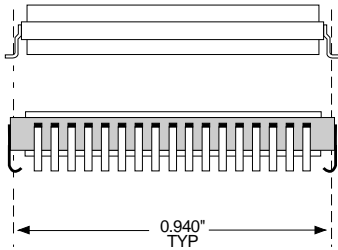
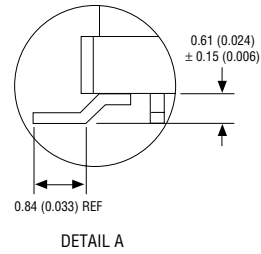
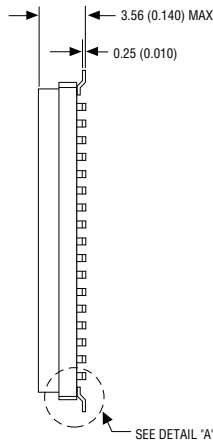
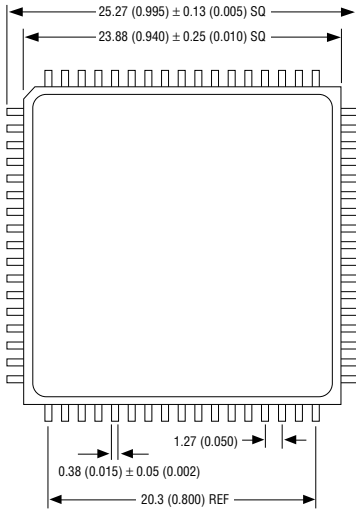


The White 68 lead G2T CQFP fills the same fit and function as the JEDEC 68 lead CQFJ or 68 PLCC. But the G2T has the TCE and lead inspection advantage of the CQFP form.

ALL LINEAR DIMENSIONS ARE MILLIMETERS AND PARENTHETICALLY IN INCHES



PACKAGE 519: 68 LEAD, CERAMIC QUAD FLAT PACK, LOW PROFILE CQFP (G1U)

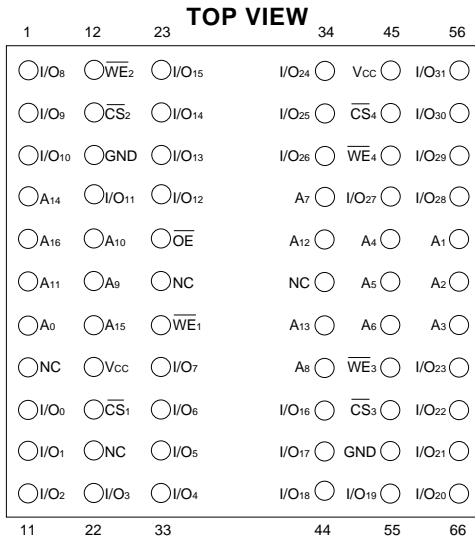


The White 68 lead G1U CQFP fills the same fit and function as the JEDEC 68 lead CQFJ or 68 PLCC. But the G1U has the TCE and lead inspection advantage of the CQFP form.

ALL LINEAR DIMENSIONS ARE MILLIMETERS AND PARENTHETICALLY IN INCHES



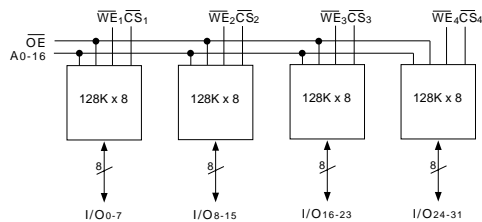
FIG. 12 ALTERNATE PIN CONFIGURATION FOR WE128K32NP-XH1X



PIN DESCRIPTION

| | |
|-----------------------|---------------------|
| I/O ₀₋₃₁ | Data Inputs/Outputs |
| A ₀₋₁₆ | Address Inputs |
| \overline{WE}_{1-4} | Write Enables |
| \overline{CS}_{1-4} | Chip Selects |
| \overline{OE} | Output Enable |
| V _{CC} | Power Supply |
| GND | Ground |
| NC | Not Connected |

BLOCK DIAGRAM



ORDERING INFORMATION

WE 128K32 X - XXX XXX

LEAD FINISH:

- Blank = Gold plated leads
- A = Solder dip leads

DEVICE GRADE:

- Q = Compliant
- M = Military Screened -55°C to +125°C
- I = Industrial -40°C to +85°C
- C = Commercial 0°C to +70°C

PACKAGE TYPE:

- H1 = 1.075" sq. Ceramic Hex In-line Package, HIP (Package 400*)
- G2T = 22.4mm Ceramic Quad Flat Pack, Low Profile CQFP (Package 509)
- G1U = 22.4mm Ceramic Quad Flat Pack, Low Profile CQFP (Package 519)
- G4 = 40mm Ceramic Quad Flat Pack, CQFP (Package 501)

ACCESS TIME (ns)

IMPROVEMENT MARK

- N = No Connect at pins 8, 21, 28, and 39 in HIP for upgrade
- P = Alternate Pin Configuration for HIP package

ORGANIZATION 128K x 32

User Configurable as 256K x 16 or 512K x 8

EEPROM

WHITE ELECTRONIC DESIGNS CORP.



| DEVICE TYPE | SPEED | PACKAGE | SMD NO. |
|-------------------------|-------|--------------------------------|------------------|
| 128K x 32 EEPROM Module | 300ns | 66 pin HIP (H1) | 5962-94585 01H5X |
| 128K x 32 EEPROM Module | 250ns | 66 pin HIP (H1) | 5962-94585 02H5X |
| 128K x 32 EEPROM Module | 200ns | 66 pin HIP (H1) | 5962-94585 03H5X |
| 128K x 32 EEPROM Module | 150ns | 66 pin HIP (H1) | 5962-94585 04H5X |
| 128K x 32 EEPROM Module | 140ns | 66 pin HIP (H1) | 5962-94585 05H5X |
| 128K x 32 EEPROM Module | 120ns | 66 pin HIP (H1) | 5962-94585 06H5X |
| 128K x 32 EEPROM Module | 300ns | 66 pin HIP (H1, P type pinout) | 5962-94585 01H6X |
| 128K x 32 EEPROM Module | 250ns | 66 pin HIP (H1, P type pinout) | 5962-94585 02H6X |
| 128K x 32 EEPROM Module | 200ns | 66 pin HIP (H1, P type pinout) | 5962-94585 03H6X |
| 128K x 32 EEPROM Module | 150ns | 66 pin HIP (H1, P type pinout) | 5962-94585 04H6X |
| 128K x 32 EEPROM Module | 140ns | 66 pin HIP (H1, P type pinout) | 5962-94585 05H6X |
| 128K x 32 EEPROM Module | 120ns | 66 pin HIP (H1, P type pinout) | 5962-94585 06H6X |
| 128K x 32 EEPROM Module | 300ns | 68 lead CQFP/J (G2T) | 5962-94585 01HMX |
| 128K x 32 EEPROM Module | 250ns | 68 lead CQFP/J (G2T) | 5962-94585 02HMX |
| 128K x 32 EEPROM Module | 200ns | 68 lead CQFP/J (G2T) | 5962-94585 03HMX |
| 128K x 32 EEPROM Module | 150ns | 68 lead CQFP/J (G2T) | 5962-94585 04HMX |
| 128K x 32 EEPROM Module | 140ns | 68 lead CQFP/J (G2T) | 5962-94585 05HMX |
| 128K x 32 EEPROM Module | 120ns | 68 lead CQFP/J (G2T) | 5962-94585 06HMX |
| 128K x 32 EEPROM Module | 300ns | 68 lead CQFP (G4) | 5962-94585 01HNX |
| 128K x 32 EEPROM Module | 250ns | 68 lead CQFP (G4) | 5962-94585 02HNX |
| 128K x 32 EEPROM Module | 200ns | 68 lead CQFP (G4) | 5962-94585 03HNX |
| 128K x 32 EEPROM Module | 150ns | 68 lead CQFP (G4) | 5962-94585 04HNX |
| 128K x 32 EEPROM Module | 140ns | 68 lead CQFP (G4) | 5962-94585 05HNX |
| 128K x 32 EEPROM Module | 120ns | 68 lead CQFP (G4) | 5962-94585 06HNX |
| 128K x 32 EEPROM Module | 300ns | 68 lead CQFP (G1U) | 5962-94585 01H9X |
| 128K x 32 EEPROM Module | 250ns | 68 lead CQFP (G1U) | 5962-94585 02H9X |
| 128K x 32 EEPROM Module | 200ns | 68 lead CQFP (G1U) | 5962-94585 03H9X |
| 128K x 32 EEPROM Module | 150ns | 68 lead CQFP (G1U) | 5962-94585 04H9X |
| 128K x 32 EEPROM Module | 140ns | 68 lead CQFP (G1U) | 5962-94585 05H9X |
| 128K x 32 EEPROM Module | 120ns | 68 lead CQFP (G1U) | 5962-94585 06H9X |