

PLEASE CHECK WWW.MOLEX.COM FOR LATEST PART INFORMATION

Part Number: [0493910002](#)
Status: **Active**
Description: 6.60mm (.259") Pitch Wire-to-Board Receptacle, Dual Row, Vertical, 8 Circuits, Polyester Carbonate UL94V-0, Red

Documents:

[Drawing \(PDF\)](#) [RoHS Certificate of Compliance \(PDF\)](#)
[Product Specification PS-49391-001 \(PDF\)](#)

General

Product Family	Crimp Housings
Series	49391
Comments	Polarized to Mating Part
Product Name	N/A

Physical

Breakaway	No
Circuits (maximum)	8
Color - Resin	Red
Gender	Female
Glow-Wire Compliant	No
Keying to Mating Part	None
Lock to Mating Part	Yes
Number of Rows	2
Packaging Type	Bag
Panel Mount	No
Pitch - Mating Interface (in)	0.257 In
Pitch - Mating Interface (mm)	6.53 mm
Pitch - Term. Interface (in)	0.257 In
Pitch - Term. Interface (mm)	6.53 mm
Polarized to Mating Part	Yes
Temperature Range - Operating	-40°C to +120°C

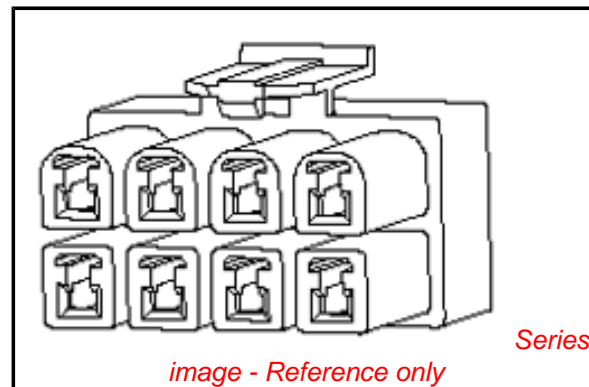
Electrical

Current - Maximum per Contact	0.5A
-------------------------------	------

Material Info

Reference - Drawing Numbers

Product Specification	PS-49391-001
Sales Drawing	SD-49391-001



EU RoHS

ELV and RoHS Compliant
REACH SVHC
 Not Reviewed
Halogen-Free Status
 Not Reviewed

China RoHS



Need more information on product environmental compliance?

Email productcompliance@molex.com
 For a multiple part number RoHS Certificate of Compliance, [click here](#)

Please visit the [Contact Us](#) section for any non-product compliance questions.

Search Parts in this Series

[49391Series](#)

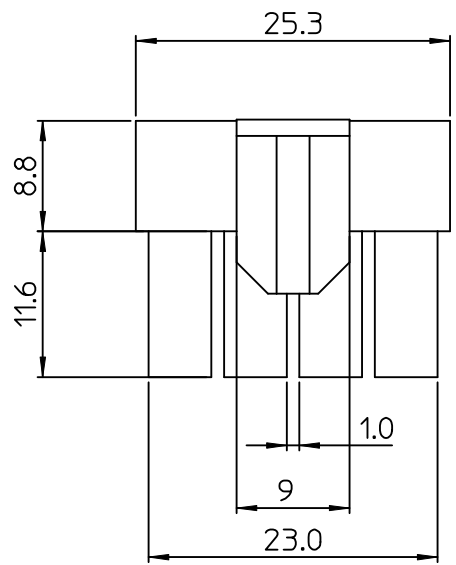
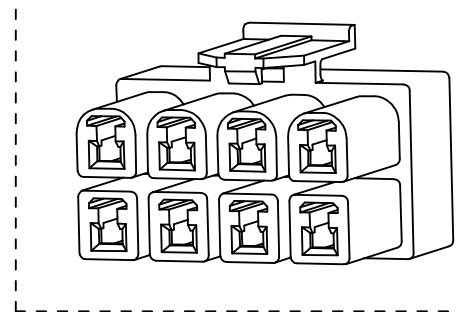
Mates With

[49390 PCB Header](#)

Use With

[579636202 Crimp Terminal](#)

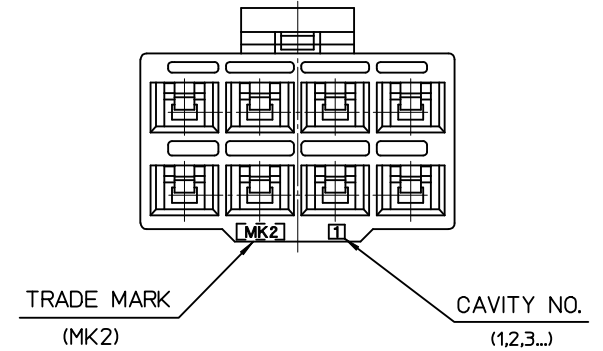
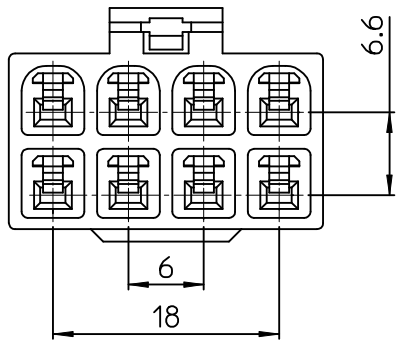
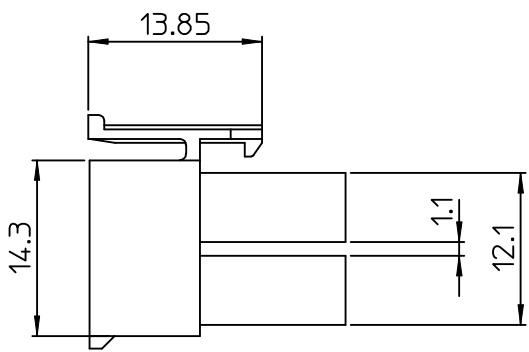
10 9 8 7 6 5 4 3 2 1



NOTES

- 1. MATERIAL & COLOR : SEE TABLE
- 2. MATED HOUSING : 49390-000*
- 3. APPLICABLE TERMINAL : 57963-6202

NO.	ENG NO.	COLOR	MATERIAL
1	49391-0001	NATURAL	PC/PET (UL94V-0)
2	49391-0002	RED	
3	49391-0004	BLUE	



REVISED EC NO: KOR2009-0093 DRWN: JHPARK01 2008/12/29 CHKD: WY YANG 2008/12/30 APPR: YUNSIKKIM 2009/01/05	DESCRIPTION B	QUALITY SYMBOLS	GENERAL TOLERANCES (UNLESS SPECIFIED) 4 PLACES ± --- ± --- 3 PLACES ± --- ± --- 2 PLACES ± 0.2 ± --- 1 PLACE ± 0.3 ± --- ANGULAR ± 1°	DIMENSION STYLE	SCALE	DESIGN UNITS	THIRD ANGLE PROJECTION .070 W/B CONN-8P HOUSING MOLEX INCORPORATED SD-49391-001
		▼=0 ▽=0		MM ONLY	2:1	METRIC	
		DRAWN BY: JH.PARK CHECKED BY: WY.YANG APPROVED BY: WY.YANG		DATE	DATE	TITLE	
		MATERIAL NO. SEE TABLE		DATE	DATE	DOCUMENT NO.	
		DRAFT WHERE APPLICABLE MUST REMAIN WITHIN DIMENSIONS		THIS DRAWING CONTAINS INFORMATION THAT IS PROPRIETARY TO MOLEX INCORPORATED AND SHOULD NOT BE USED WITHOUT WRITTEN PERMISSION		SHEET NO. 1 OF 01	

9 8 7 6 5 4 3 2 1