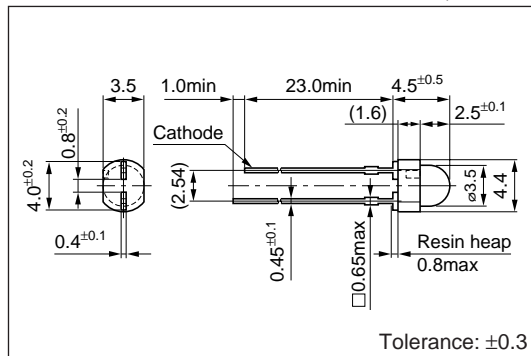


# 3 $\phi$ Round Wide-directivity LED (Direct Mount)

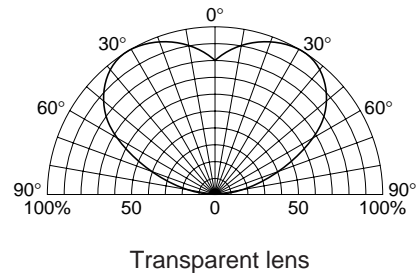
## SEL6014 Series

### External Dimensions

(Unit: mm)



### Directivity (Typical)



### Absolute maximum ratings (Ta=25°C)

Symbol	Unit	Rating		Condition
		GaAsP/GaP	AlGaInP	
I <sub>F</sub>	mA	30		
ΔI <sub>F</sub>	mA/°C	-0.45		Above 25°C
I <sub>FP</sub>	mA	100		f=1kHz, tw≤100μs
V <sub>R</sub>	V	3	4	
Top	°C	-30 to +85		
Tstg	°C	-30 to +100		

### Electrical Optical characteristics (Ta=25°C)

Emitting color	Part Number	Lens color	Forward voltage			Reverse current		Intensity		Peak wavelength		Spectrum half width		Chip material
			V <sub>F</sub>		Condition	I <sub>R</sub>	Condition	I <sub>V</sub>	Condition	λ <sub>P</sub>	Condition	Δλ	Condition	
			typ	max										
Red	SEL6214S	Transparent red	1.9	2.5	10	50	3	18	20	630	10	35	10	GaAsP
Amber	SEL6814A	Transparent orange	1.9	2.5	10	50	3	9.0	10	610	10	35	10	
Ultra-high-intensity light amber	SELS6B14C	Clear	2.0	2.5	10	100	4	120	20	600	10	15	10	AlGaInP
Orange	SEL6914A	Transparent orange	1.9	2.5	10	50	3	8.0	10	587	10	33	10	GaAsP
	SEL6914W	Diffused white						5.0						
Yellow	SEL6714K	Transparent yellow	2.0	2.5	10	50	3	66	20	570	10	30	10	GaP
	SEL6714W	Diffused white						30						
Green	SEL6414E	Transparent green	2.0	2.5	10	50	3	42	20	560	10	20	10	GaP
Deep green	SEL6414E-TG	Transparent green						18		558				
Pure green	SEL6514C	Clear	2.0	2.5	10	50	3	12	20	555	10	20	10	