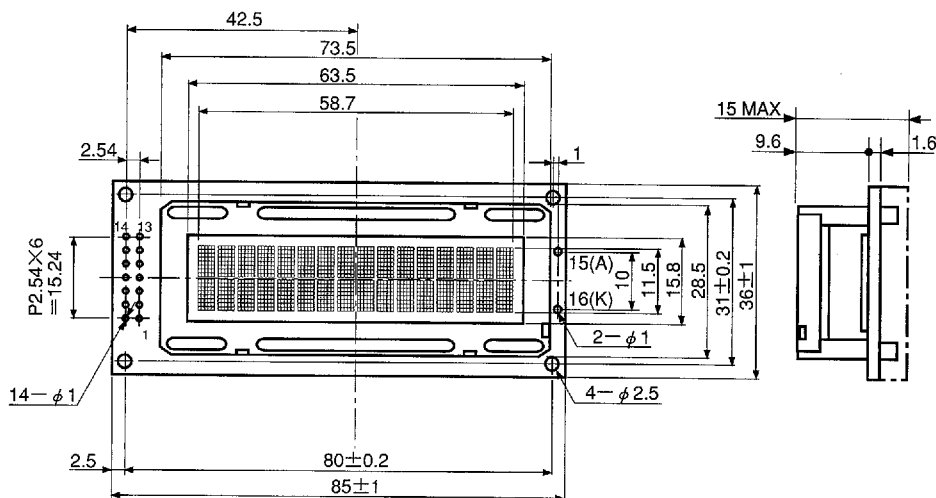
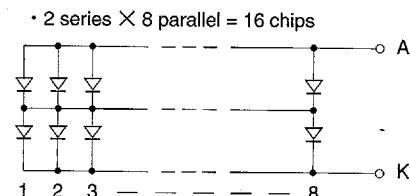


GMD1620ALY With LED backlight

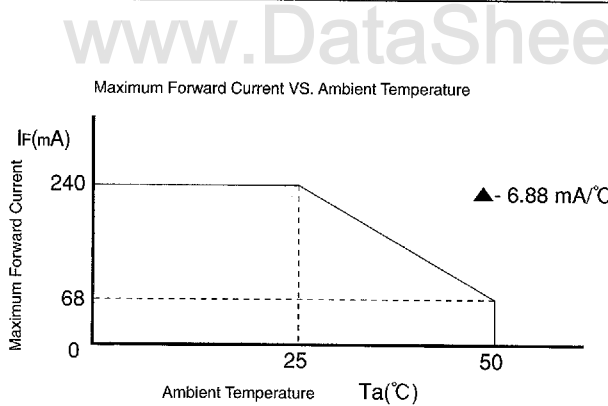
● Module Dimensions (LED backlight)



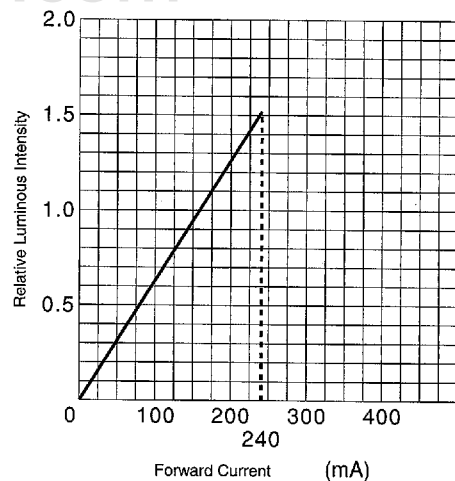
● Circuit Diagram of LED Backlight



● Characteristics of LED Backlight



Relative Luminous Intensity VS. Forward Current



※All the ratings and Characteristics of LCD modules are specified under the conditions for the LED backlight unit to meet the above derating curve.

● Absolute Maximum Ratings and Characteristics of LED Backlight

$T_a=25^\circ\text{C}$

Item	Absolute Maximum Ratings			Electro-Optical Characteristics									
	Forward Current	Reverse Voltage	Power Dissipation	Forward Voltage		Reverse Current		Luminous Intensity		Peak Wavelength			
	Symbol			Condition	Condition	Condition	Condition	Condition	Condition				
	Rule	I_F	V_R	P_d	V_F	I_F	I_R	V_R	I_V	I_F	λ_p	I_F	
Part Number (*Emitted Color)	MAX	MAX	MAX	TYP	MAX	—	MAX	—	TYP	—	TYP	—	
GMD 1620ALY (Yellow)	PY	240	8	1100	4.3	4.6	160	160	8	85	160	570	160
Unit		mA	V	mW	V	mA	μA	V	cd/m ²	mA	nm	mA	

Note: Above specifications should be applied to the LED backlight only.