

CentralTM Semiconductor Corp.

145 Adams Avenue, Hauppauge, NY 11788 USA
Tel: (631) 435-1110 • Fax: (631) 435-1824

Manufacturers of World Class Discrete Semiconductors

CRSH16D-40FP
CRSH16D-60FP
CRSH16D-100FP

SILICON SCHOTTKY RECTIFIERS
DUAL, COMMON CATHODE
16 AMP, 40 THRU 100 VOLTS

TO-220FP CASE

FEATURES:

- HIGH RELIABILITY.
- HIGH CURRENT CAPABILITY.
- UL FLAMMABILITY CLASSIFICATION 94V-0.
- LOW POWER LOSS, HIGH EFFECIENCY.
- LOW FORWARD VOLTAGE.
- HIGH SURGE CAPACITY.
- SUPERIOR LOT TO LOT CONSISTENCY.
- HIGH VOLTAGE.

DESCRIPTION:

The CENTRAL SEMICONDUCTOR CRSH16D-40FP Series types are Silicon Schottky Rectifiers designed for fast switching applications requiring a low forward voltage drop.

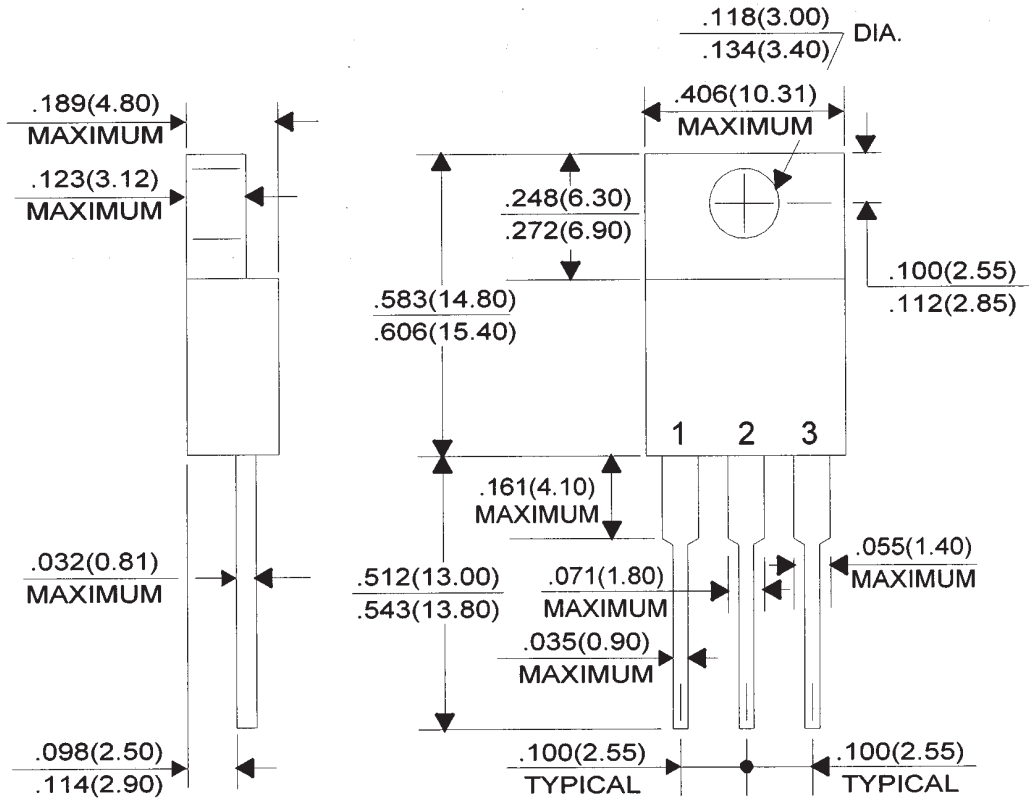
MAXIMUM RATINGS: ($T_C=25^\circ\text{C}$ unless otherwise noted)

	<u>SYMBOL</u>	<u>CRSH16D -40FP</u>	<u>CRSH16D -60FP</u>	<u>CRSH16D -100FP</u>	<u>UNITS</u>
Peak Repetitive Reverse Voltage	V_{RRM}	40	60	100	V
DC Blocking Voltage	V_R	40	60	100	V
RMS Reverse Voltage	$V_{R(RMS)}$	26	42	80	V
Average Forward Current ($T_C=90^\circ\text{C}$)	I_O		16		A
Peak Forward Surge Current (8.3ms)	I_{FSM}		150		A
Critical Rate of Rise of Reverse Voltage	dV/dt		10,000		V/ μs
Operating and Storage					
Junction Temperature	T_J, T_{stg}		-65 to +150		$^\circ\text{C}$
Typical Thermal Resistance	Θ_{JC}		4.0		$^\circ\text{C/W}$
Typical Thermal Resistance	Θ_{JA}		60		$^\circ\text{C/W}$

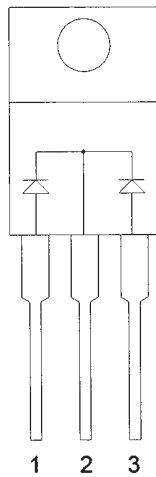
ELECTRICAL CHARACTERISTICS PER DIODE: ($T_C=25^\circ\text{C}$ unless otherwise noted)

<u>SYMBOL</u>	<u>TEST CONDITIONS</u>	<u>CRSH16D -40FP</u>		<u>CRSH16D -60FP</u>		<u>CRSH16D -100FP</u>		<u>UNITS</u>
		<u>TYP</u>	<u>MAX</u>	<u>TYP</u>	<u>MAX</u>	<u>TYP</u>	<u>MAX</u>	
I_R	$V_R=\text{Rated } V_{RRM}$		100		100		100	μA
I_R	$V_R=\text{Rated } V_{RRM}, T_C=125^\circ\text{C}$		15		15		15	mA
V_F	$I_F=8.0\text{A}$		0.65		0.75		0.85	V
V_F	$I_F=8.0\text{A}, T_C=125^\circ\text{C}$		0.57		0.65		0.75	V
V_F	$I_F=16\text{A}$		0.84		0.95		1.10	V
V_F	$I_F=16\text{A}, T_C=125^\circ\text{C}$		0.72		0.85		1.00	V
C_J	$V_R=4.0\text{V}, f=1.0\text{MHz}$	300		300		300		pF

TO-220FP MECHANICAL OUTLINE



All Dimensions in Inches (mm).



LEAD CODE:

- 1) ANODE#1
- 2) CATHODE
- 3) ANODE #2

Central[™]
Semiconductor Corp.