

SP2T

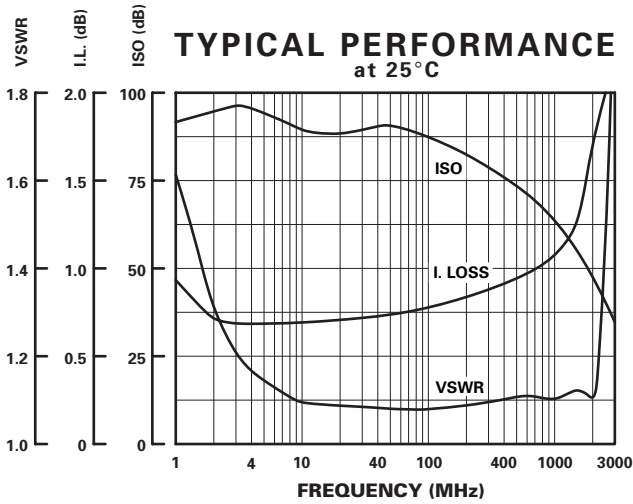
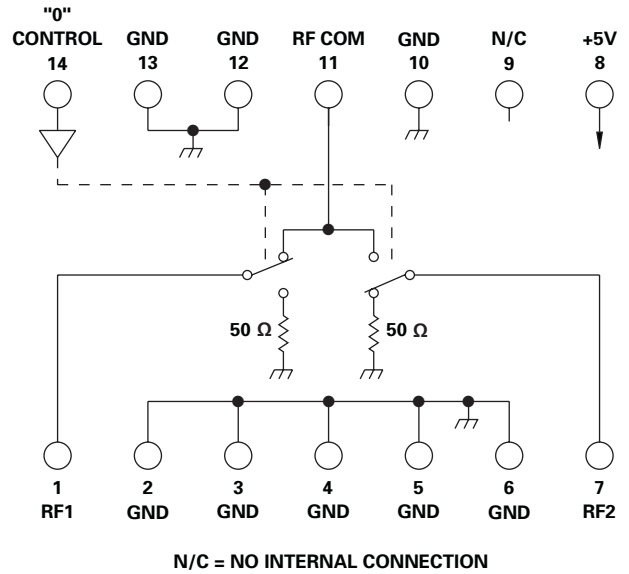
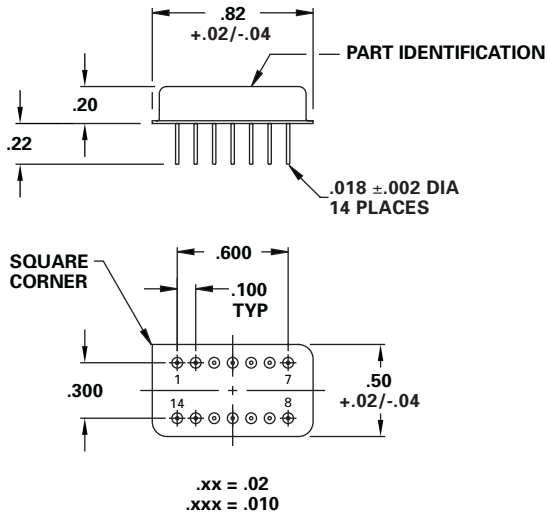
FEATURES

- 20 - 550 MHz
- Low Insertion Loss
- Low VSWR
- Broad Frequency Range
- Low DC Power



MODEL NO. DSW22023

GaAs SP2T



LOGIC TABLE

CONTROL LINE	RF PATH
"0"	RF COM TO RF 1 (PIN 11 TO PIN 1)
"1"	RF COM TO RF 2 (PIN 11 TO PIN 7)

GUARANTEED PERFORMANCE

Parameter	Min	Typ	Max	Units	Conditions
Operating Frequency	20		550	MHz	
DC Current		0.2	5	mA	At +5 VDC Supply
Control Type		TTL			1 Line "0" = Pin 11 To Pin 1 "1" = Pin 11 To Pin 7
Control Current		±0.1		µA	V _{IH} = +2.7V V _{IL} = +0.5V
Isolation	55	72		dB	
Insertion Loss		0.90	1.3	dB	
VSWR		1.11/1	1.3/1		
		1.06/1	2/1		
Impedance		50		OHMS	
Switching Speed		0.25	6	µSec	50% TTL to 90% / 10% RF
Transition (Rise/Fall) Time		20		nSec	10% / 90% or 90% / 10% RF
Switching (Video) Transients		40		mV	Peak Value
Intercept Points		+82		dBm	70 MHz / 50 MHz
	2nd				
	3rd	+30	+50	dBm	35 MHz / 50 MHz
RF Power		+19	+5	dBm	0.1 dB Compression
	Operate				
	No Damage		+30	dBm	
Operating Temperature	-55	+25	+125	°C	TA