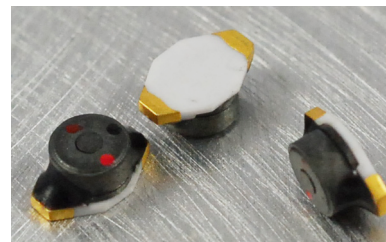
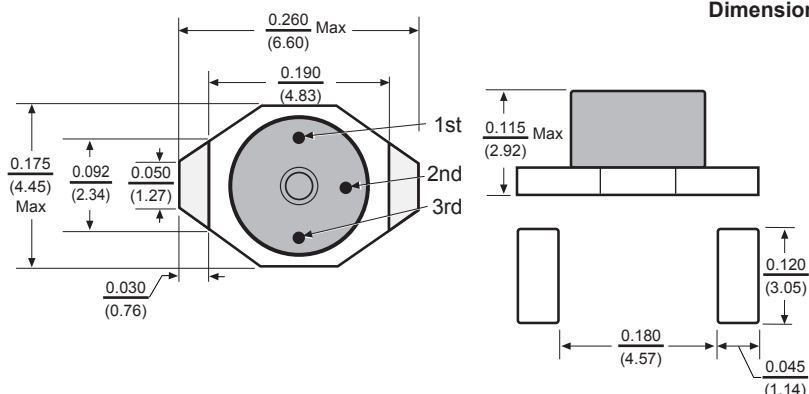


# PCIT20 Power Chip Shielded Inductors



## Features

- Magnetically shielded
- Cost effective miniature power inductor
- Swinging Inductance vs current characteristics
- Designed for current spikes as high as twice the rated current
- High L at low or zero current
- Designed with high heat resistance materials for reflow operation
- Flat top for pick and place assembly
- Non standard values available

## Electrical

**Inductance Range:** 1.0 $\mu$ h to 1000 $\mu$ h.

**Tolerance:**  $\pm$  20% over the entire inductance range.

**Test Frequency :** Inductance measured at 100KHz, 0.1Vrms.

**Operating Temp. Range:** -40° to +85°C.

**Current Rating:** See foot notes and graphs

## Physical

**Marking:** Color Code using standard EIA three dot system.

**Packaging:** 2500 per 13 inch reel.

Allied Part Number	Inductance @0A dc ( $\mu$ h)	DCR Max. ( $\Omega$ )	SRF Typical (MHz)	Inductance* ( $\mu$ h)	Rated Current** (A)	Max. Energy Storage ( $\mu$ Joules)	Max. Switching Freq. (MHz)
PCIT20-1R0M-RC	1.0	.045	157	.60	2.0	1.8	1
PCIT20-1R5M-RC	1.5	.050	108	.80	1.9	1.8	1
PCIT20-2R2M-RC	2.2	.060	92.0	.90	1.5	1.8	1
PCIT20-3R3M-RC	3.3	.070	69.0	1.5	1.2	1.4	1
PCIT20-4R7M-RC	4.7	.080	59.0	2.0	1.2	1.6	1
PCIT20-6R8M-RC	6.8	.085	51.0	3.0	1.0	1.9	1
PCIT20-100M-RC	10	.095	33.0	5.0	.7	1.2	1
PCIT20-150M-RC	15	.135	26.0	6.0	.6	1.1	1
PCIT20-220M-RC	22	.160	20.0	10	.5	1.2	1
PCIT20-330M-RC	33	.275	17.0	12	.45	1.5	1
PCIT20-470M-RC	47	.340	12.0	20	.34	1.3	1
PCIT20-680M-RC	68	.575	11.0	30	.29	1.4	1
PCIT20-101M-RC	100	1.10	9.40	40	.24	1.5	1
PCIT20-151M-RC	150	1.40	6.70	60	.20	1.4	.5
PCIT20-221M-RC	220	2.25	6.10	90	.17	1.6	.5
PCIT20-331M-RC	330	2.90	4.70	100	.16	1.4	.5
PCIT20-471M-RC	470	3.60	3.85	150	.14	1.5	.5
PCIT20-681M-RC	680	4.55	3.10	200	.12	1.4	.5
PCIT20-102M-RC	1000	8.10	2.30	400	.08	1.4	.5

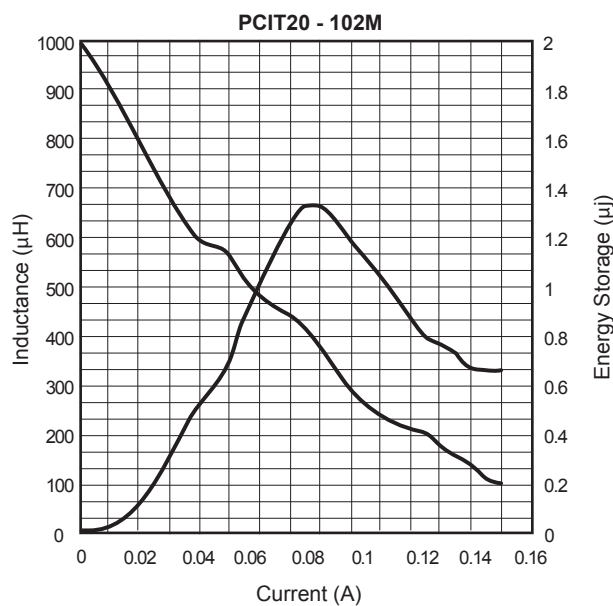
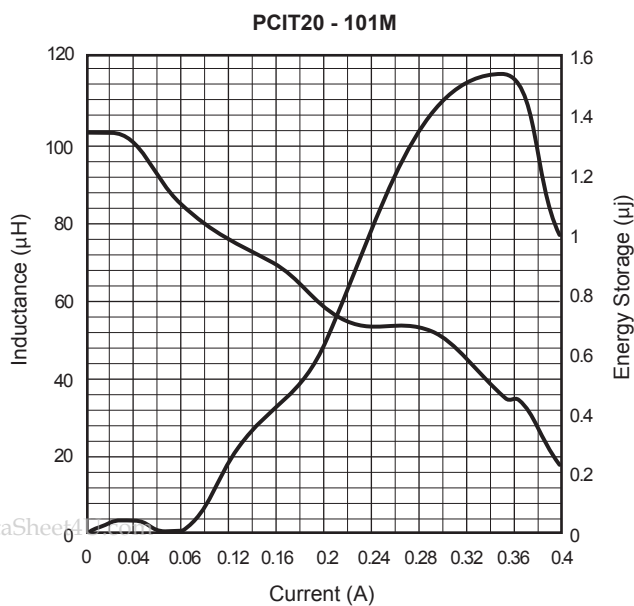
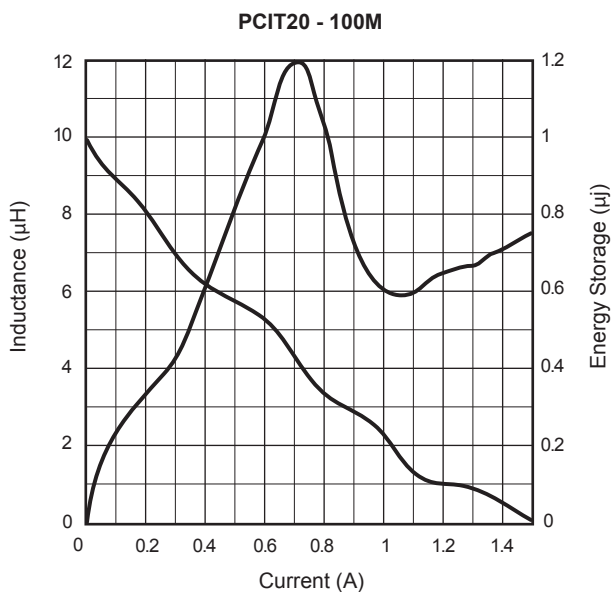
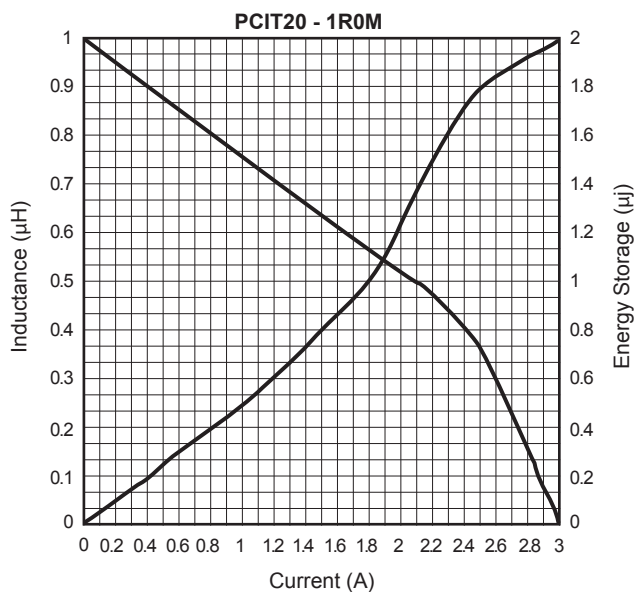
\*Measured at the rated current.

\*\*Average maximum allowable current. PCIT Series inductors are designed for current spikes as high as 2x the current rating. All specifications subject to change without notice.

# PCIT20 Power Chip Shielded Inductors



## TYPICAL INDUCTANCE AND ENERGY STORAGE VS. CURRENT



www.DataSheet4U.com

All specifications subject to change without notice.