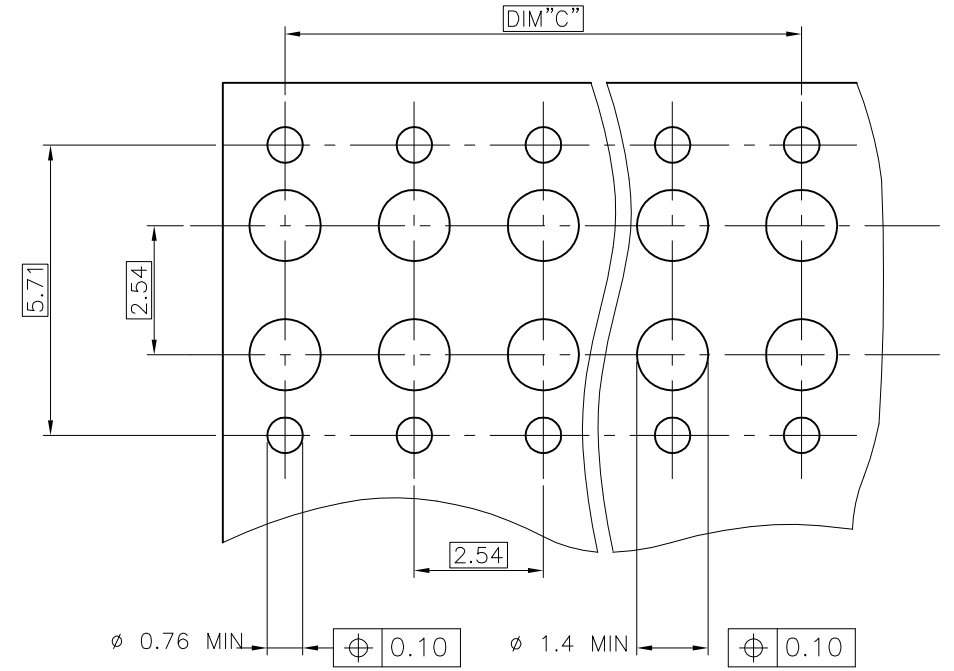
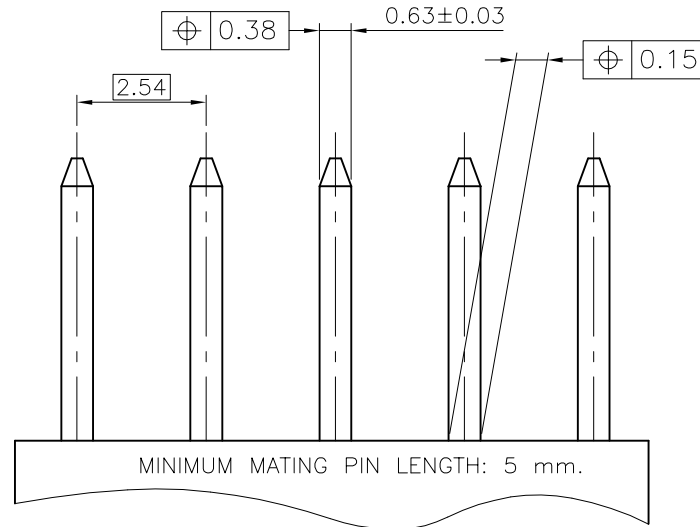


PRODUCT N°	NBR OF POS.	TERMINAL NBR	DIM"C"	DIM"D"
95257-Y01(H)(LF)	2 x 20	28	48.28	50.72

WHEN NEEDED, SUFFIX LETTER "LF" INDICATES THE PRODUCT IS RoHS COMPATIBLE, SEE NOTE 6

CONTACT PLACED IN CAVITY (ACCORDING TO "F" VIEW)

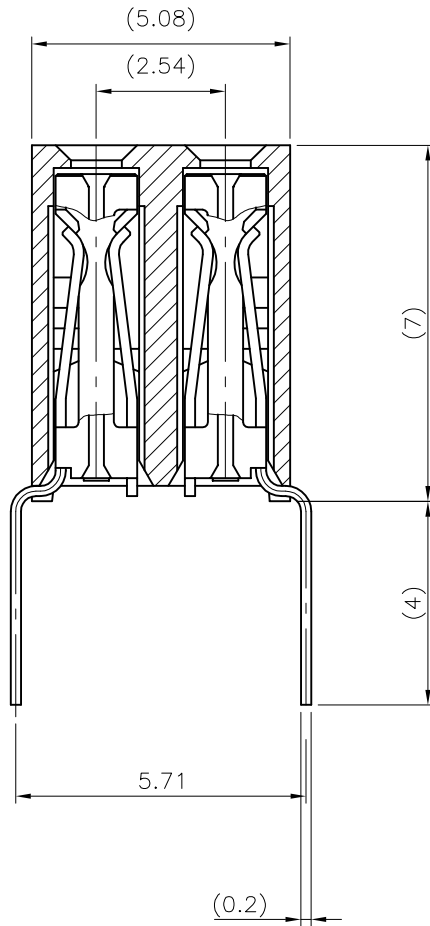
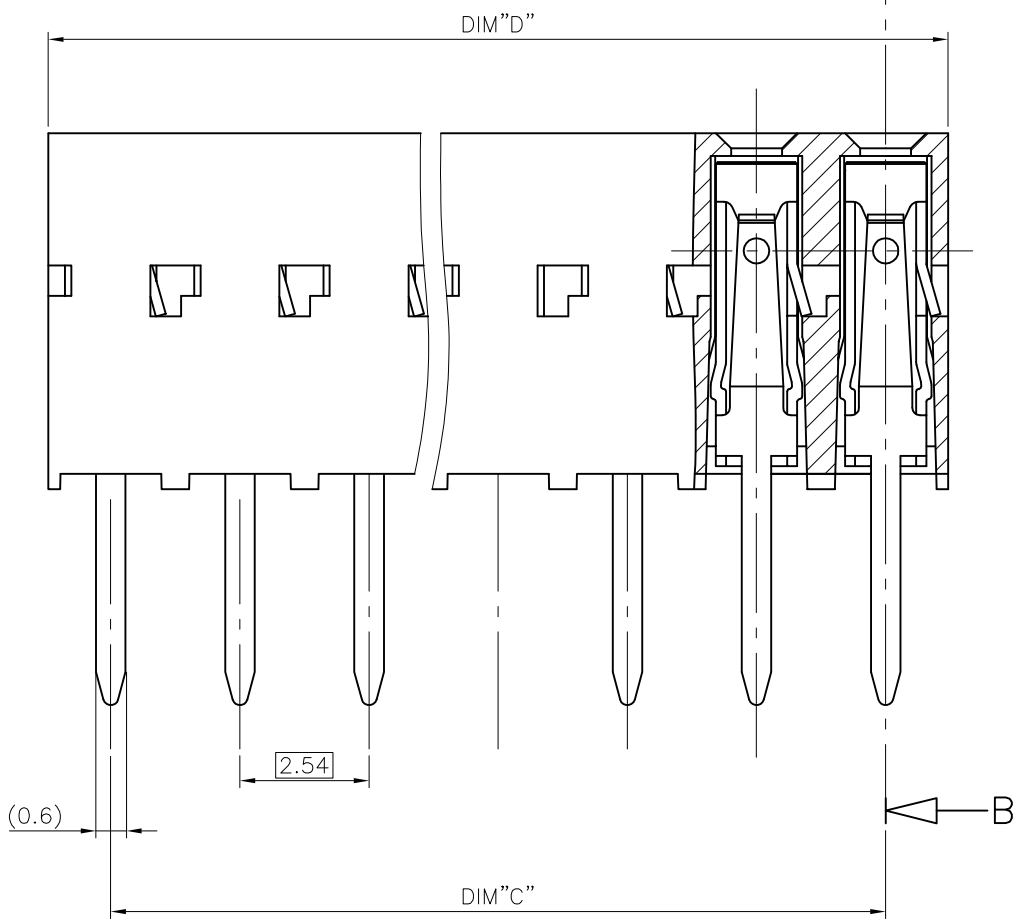
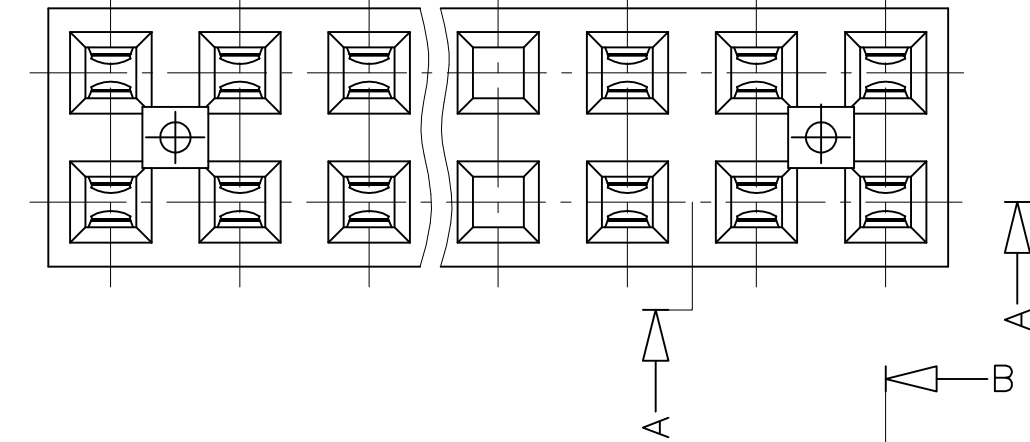
X	X	X				X	X	X	X	X	X	X	X	X			X	X	X
X	X	X				X	X	X	X	X	X	X	X	X			X	X	X
1	2	3	4	5	6	7	8	9	10	11	12	13	14	15	16	17	18	19	20



RECOMMENDED PC BOARD THICKNESS: 1.6 ±0.2

NOTES:

- MATERIAL HOUSING: THERMOPLASTIC POLYESTER 30% GLASS FILLED, COLOUR BLUE. FLAME RETARDANT PER UL-94 CATEGORY V0.
- MATERIAL TERMINAL: PHOSPHOR BRONZE EXTRA HARD.
- MATERIAL HOUSING VERSION HIGH TEMPERATURE: PCT 30% GLASS FILLED, COLOUR GREY. FLAME RETARDANT PER UL-94 CATEGORY V0.
- THE DASH "H" AT THE END OF THE P/N TO INDICATE A HIGH TEMPERATURE HOUSING.
- CONNECTOR MEANT TO BE USED FOR PC BOARD WITH NONE PLATED THROUGH HOLES.
- RoHS COMPATIBLE PRODUCT SPECIFICATIONS
 - PLATING:
 - "LF" MEANS THE PRODUCT IS LEAD-FREE, 2µm MINIMUM MATTE TIN OVER 1.27µm MINIMUM NICKEL UNDERPLATE.
 - MANUFACTURING PROCESS COMPATIBILITY
 - THE HOUSING WILL WITHSTAND EXPOSURE TO 260°C ±5°C SOLDER BATH TEMPERATURE FOR 5 SECONDS IN A WAVE SOLDER APPLICATION WITH A 1.6mm MIN THICK CIRCUIT BOARD.
 - LABELING:
 - MEETS PACKAGING SPECS AS PER GS-14-920
 - LEGAL STATEMENT: SEE GS-22-008



95257-401(H)	5µm SnPb N.	SnPb
95257-301(H)	0.76µm GOLD	SnPb
PLATING CODE	CONTACT AREA	SOLDER TAIL
	PLATING THICKNESS OVER 1.27µm Ni	

95257-401(H)(LF)	5µm Sn	Sn
95257-301(H)(LF)	0.76µm GOLD	Sn
PLATING CODE	CONTACT AREA	SOLDER TAIL
	PLATING THICKNESS OVER 1.27µm Ni	

mat'l. code		surface	tolerance	projection	product family
SEE NOTES		ISO 1302	ISO 406	ISO 101	DX VCC DR
ltr	ecn no	dr	date	tolerances unless otherwise specified	title
A	F60347	PNZ	96.05.13	±0.3	DUAL ENTRY
B	F60391	PNZ	96.05.28	mm	OFF SET LEGS 5.71mm
C	F80638	VMO	98.10.14	scale 10:1	
D	F04-0347	DLE	04.11.15		dwg no
E	F06-0137	DLE	06.02.27		sheet 1 of 1
F	F06-0204	DLE	06.06.28		size
G	F07-0271	LMU	07.12.06		A2
sheet	revision				95257
index	sheet				type
					CUSTOMER Drawing