

## 30 Watt Power Resistor Thick Film Technology



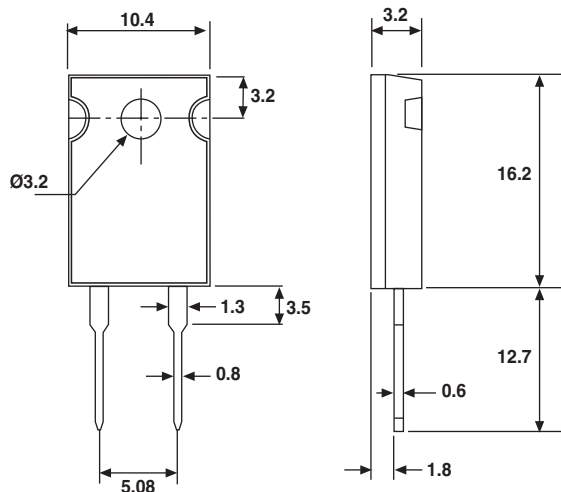
LTO series are the extension of RTO types. We used the direct ceramic mounting design (no metal tab) of our RCH power resistors applied to semiconductor packages.

### FEATURES

- 30 Watt at 25 °C Case Temperature Heatsink Mounted
- Direct mounting ceramic on heatsink
- Broad Resistance Range: R010 to 550K
- Non Inductive
- TO-220 package: Compact and easy to mount
- RoHS compliant
- Isolated case



### DIMENSIONS in millimeters



• Tolerance unless otherwise specified: ± 0.3 mm

### MECHANICAL SPECIFICATIONS

<b>Mechanical Protection</b>	Molded
<b>Resistive Element</b>	Thick Film
<b>Substrate</b>	Alumina
<b>Connections</b>	Tinned Copper
<b>Weight</b>	2 g max.
<b>Mounting Torque</b>	1N-m

### DIMENSIONS

<b>Standard Package</b>	TO-220 Isolated case
-------------------------	-------------------------

### ENVIRONMENTAL SPECIFICATIONS

<b>Temperature Range</b>	- 55 °C to + 150 °C
<b>Climatic Category</b>	55/155/56

### ELECTRICAL SPECIFICATIONS

<b>Resistance Range</b>	0.010 Ω to 550 kΩ
<b>Tolerances (Standard)</b>	± 1 % to ± 10 %
<b>Dissipation and Associated</b>	Onto a heatsink
<b>Power Rating and Thermal Resistance of the component</b>	30 W at + 25 °C (case temperature) R <sub>TH</sub> (j-c): 4.2 °C/W free air: 2.25 W at + 25 °C
<b>Temperature Coefficient</b>	See Performance table
<b>Standard</b>	± 150 ppm/°C
<b>Limiting Element Voltage</b>	250 V
<b>Dielectric Strength MIL STD 202</b>	1500 V <sub>RMS</sub> - 1 minute - 10 mA max.
<b>Insulation Resistance</b>	≥ 10 <sup>4</sup> MΩ
<b>Inductance</b>	≤ 0.1 μH
<b>Critical Resistance</b>	2.08 kΩ



PERFORMANCE		
TESTS	CONDITIONS	TYPICAL DRIFTS
Momentary Overload	EN 60115-1 1.5 Pr/5 s Us < 1.5 UL	± (0.5 % + 0.005 Ω)
Rapid Temperature Change	EN 60115-1 IERC 60068-2-14 Tests Na 5 cycles - 55 °C to + 155 °C	± (0.5 % + 0.005 Ω)
Load Life	EN 60115-1 1000 h Pr at + 25 °C	± (1 % + 0.005 Ω)
Humidity (Steady State)	MIL STD 202 Method 103 B Cond. D	± (0.5 % + 0.005 Ω)
Vibration	MIL STD 202 Method 204 Cond. D	± (0.2 % + 0.005 Ω)
Terminal Strength	MIL STD 202 Method 211 Cond. A1	± (0.2 % + 0.005 Ω)
Shock	100G, MIL STD 202 Method 213 Cond. I	± (0.5 % + 0.005 Ω)

SPECIAL FEATURES				
Resistance Values	≥ 0.010	≥ 0.015	≥ 0.1	≥ 0.5
Tolerances	± 1 % at ± 10 %			
Typical Temperature Coefficient (- 55 °C/+ 155 °C)	± 900 ppm/°C	± 700 ppm/°C	± 250 ppm/°C	± 150 ppm/°C

### CHOICE OF THE HEATSINK

The user must choose according to the working conditions of the component (power, room temperature).

Maximum working temperature must not exceed 155 °C. The dissipated power is simply calculated by the following ratio:

$$P = \frac{\Delta T}{[R_{TH} (j-c) + R_{TH} (c-a)]} \quad (1)$$

P: expressed in W

ΔT: difference between maximum working temperature and room temperature.

R<sub>TH</sub> (j-c): thermal resistance value measured between resistive layer and outer side of the resistor. It is the thermal resistance of the component.

R<sub>TH</sub> (c-a): thermal resistance value measured between outer side of the resistor and room temperature. It is the thermal resistance of the heatsink itself (type, shape), the quality of the fastening device, and the thermal resistance of the thermal compound.

Example:

R<sub>TH</sub> (c-a) for LTO30 power rating 10 W at ambient temperature + 30 °C.

Thermal resistance R<sub>TH</sub> (j-c): 4.2 °C/W

Considering equation (1) we have:

$$\begin{aligned} \Delta T &= 155 \text{ °C} - 30 \text{ °C} = 125 \text{ °C} \\ R_{TH} (j-c) + R_{TH} (c-a) &= \frac{\Delta T}{P} = \frac{125}{10} = 12.5 \text{ °C/W} \\ R_{TH} (c-a) &= 12.5 \text{ °C/W} - 4.2 \text{ °C/W} = 8.3 \text{ °C/W} \end{aligned}$$

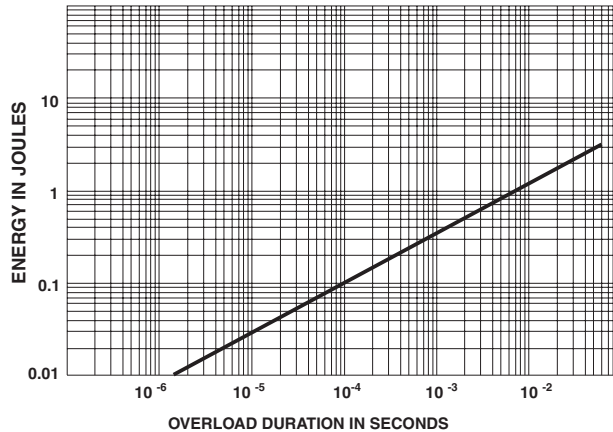
with a thermal grease R<sub>TH</sub> (c - h) = 1 °C/W, we need a heat sink with R<sub>TH</sub> (h - a) = 7.3 °C/W



**OVERLOADS**

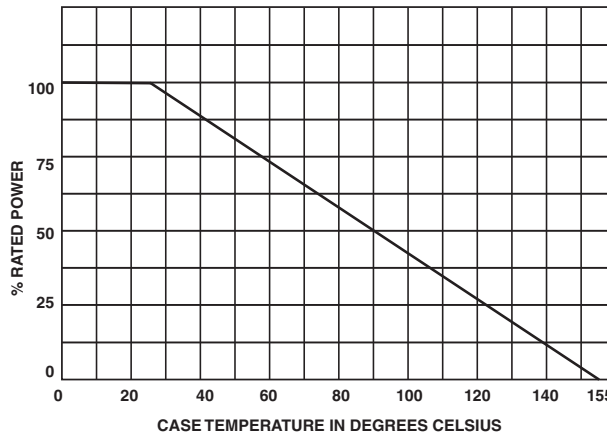
In any case the applied voltage must be lower than the maximum overload voltage of 375 V. The values indicated on the graph below are applicable to resistors in air or mounted onto a heatsink.

**ENERGY CURVE**



**POWER RATING CHART**

The temperature of the case should be maintained within the limits specified. To improve the thermal conductivity, surfaces in contact should be coated with a silicone grease and the torque applied on the screw for tightening should be around 1 Nm.



**MARKING**

Model, Style, Resistance Value (in Ω), Tolerance (in %), Manufacturing Date, VISHAY trademark.

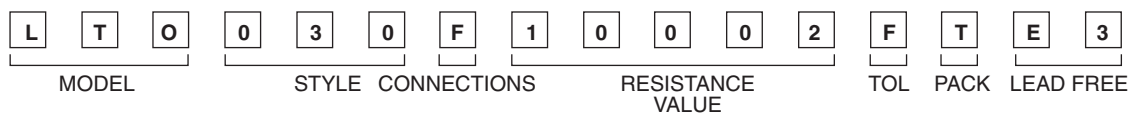
**PACKAGING**

Tube of 50 units

**ORDERING INFORMATION**

LTO	30	F	100 kΩ	± 1 %	xxx	TU50	e3
MODEL	STYLE	CONNECTIONS	RESISTANCE VALUE	TOLERANCE	CUSTOM DESIGN	PACKAGING	LEAD (Pb)-FREE
				± 1 % ± 2 % ± 5 % ± 10 %	Optional on request: special TCR, shape etc.		

**SAP PART NUMBERING GUIDELINES**



SAP Part Number LTO030F10002FTE3



### Notice

Specifications of the products displayed herein are subject to change without notice. Vishay Intertechnology, Inc., or anyone on its behalf, assumes no responsibility or liability for any errors or inaccuracies.

Information contained herein is intended to provide a product description only. No license, express or implied, by estoppel or otherwise, to any intellectual property rights is granted by this document. Except as provided in Vishay's terms and conditions of sale for such products, Vishay assumes no liability whatsoever, and disclaims any express or implied warranty, relating to sale and/or use of Vishay products including liability or warranties relating to fitness for a particular purpose, merchantability, or infringement of any patent, copyright, or other intellectual property right.

The products shown herein are not designed for use in medical, life-saving, or life-sustaining applications. Customers using or selling these products for use in such applications do so at their own risk and agree to fully indemnify Vishay for any damages resulting from such improper use or sale.