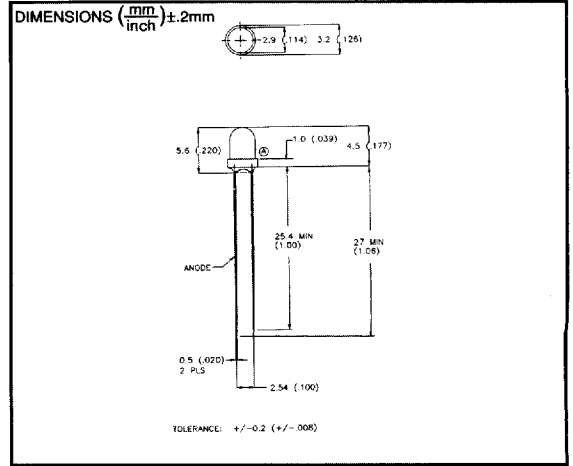


SSL-LX3044XX SERIES SHORT T-3mm LED LAMPS

LUMEX PART NBR	EMITTED COLOR		EPOXY LENS COLOR	BRIGHTNESS		VIEW ANGLE	VI@20mA	
	PEAK(nm)	LENS COLOR		TYP.(mcd.)	If(mA)		TYP.	MAX
SSL-LX 3044 ID	RED	635	RED DIFF.	10	20	80	2.0	2.8
SSL-LX 3044 SRD	RED	660	RED DIFF.	80	20	80	1.7	2.2
SSL-LX 3044 GD	GREEN	565	GREEN DIFF.	15	20	80	2.1	2.8
SSL-LX 3044 YD	YELLOW	585	YELLOW DIFF.	15	20	80	2.1	2.8
BI-COLOR OPTIONS								
SSL-LX 3044 IGW	RED/GREEN	635/565	WHITE DIFF.	5/4	20/20	95	2.0	2.8
LOW CURRENT OPTIONS								
SSL-LX 3044 LID	RED	635	RED DIFF.	1.5	2	80	2.0	2.8
SSL-LX 3044 LGD	GREEN	565	GREEN DIFF.	1.5	2	80	2.1	2.8
SSL-LX 3044 LYD	YELLOW	585	YELLOW DIFF.	1.5	3	80	2.1	2.8
SSL-LX 3044 ERD	RED	660	RED DIFF.	5.0	2	80	1.7	2.2

See pages 8 -14 for Max. operating limits and operating curves

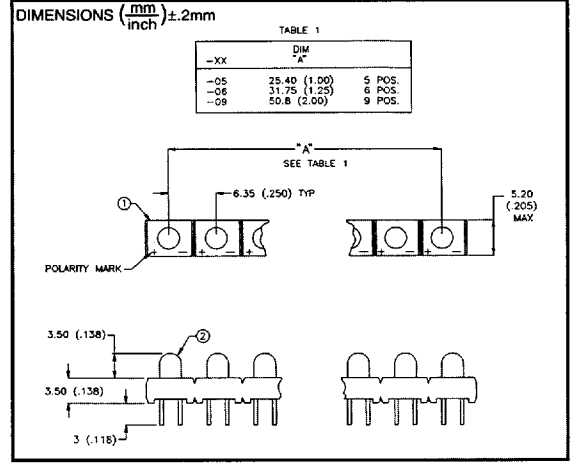


SSA-LXB26852XX SERIES 5-9 POSITION 3mm LED ARRAY

LUMEX PART NBR	EMITTED COLOR		OPERATING CURRENT (mA)	OPERATING TYP Volts (V)	BRIGHTNESS		LED SERIES USED
	PEAK(nm)	LENS COLOR			TYP (mcd.)	mA	
SSA-LXB26852AD	AMBER	610	10-25	2.1	20	20	SSL-LX305F4XX
SSA-LXB26852GD	GREEN	565	10-25	2.1	20	20	SSL-LX305F4XX
SSA-LXB26852ID	RED	635	10-25	2.1	20	20	SSL-LX305F4XX
SSA-LXB26852SRD	RED	660	10-25	1.7	80	20	SSL-LX305F4XX
SSA-LXB26852YD	YELLOW	585	10-25	2.1	20	20	SSL-LX305F4XX
LOW CURRENT OPTIONS							
SSA-LXB26852LGD	GREEN	565	1-5	1.8	1.0 Min.	2	SSL-LX305F4XX
SSA-LXB26852LID	RED	635	1-5	1.8	1.0 Min.	2	SSL-LX305F4XX
SSA-LXB26852LYD	YELLOW	585	1-5	1.8	1.0 Min.	2	SSL-LX305F4XX
FIXED VOLTAGE OPTIONS							
SSA-LXB26852GD-5V	GREEN	565	10-25	5.0	20	20	SSL-LX305F4XX
SSA-LXB26852ID-5V	RED	635	10-25	5.0	30	20	SSL-LX305F4XX
SSA-LXB26852YD-5V	YELLOW	585	10-25	5.0	20	20	SSL-LX305F4XX

COLORS CAN BE MIXED TO CUSTOMER REQUIREMENTS

See pages 8 -14 for Max. operating limits and operating curves



SSL-LX3054TXX SERIES T-3mm THIN FLANGE LED LAMPS

LUMEX PART NBR	EMITTED COLOR		EPOXY LENS COLOR	BRIGHTNESS		VIEW ANGLE	VI@20mA	
	PEAK(nm)	LENS COLOR		TYP.(mcd.)	If(mA)		TYP.	MAX
SSL-LX3054TID	RED	635	RED DIFF.	10	20	80	2.0	2.8
SSL-LX3054TSRD	RED	660	RED DIFF.	80	20	80	1.7	2.2
SSL-LX3054TGD	GREEN	565	GREEN DIFF.	15	20	80	2.1	2.8
SSL-LX3054TYD	YELLOW	585	YELLOW DIFF.	15	20	80	2.1	2.8
BI-COLOR OPTIONS								
SSL-LX3054T IGW	RED/GREEN	635/565	WHITE DIFF.	5/4	20/20	95	2.0	2.8

See pages 8 -14 for Max. operating limits and operating curves

