

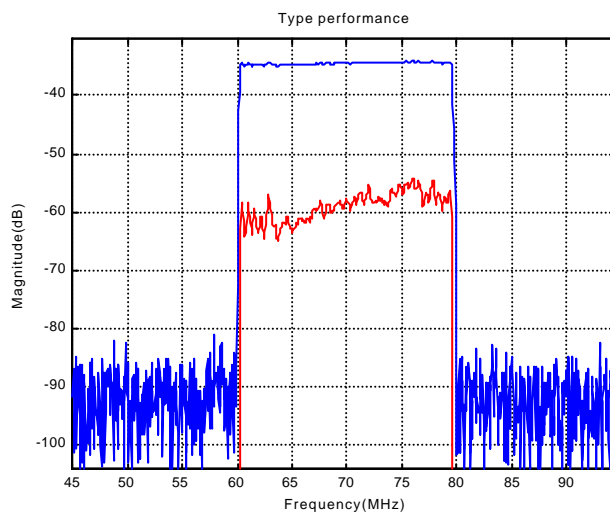


**LBN7057 SAW Filter Electrical Characteristic**

**Specifications**

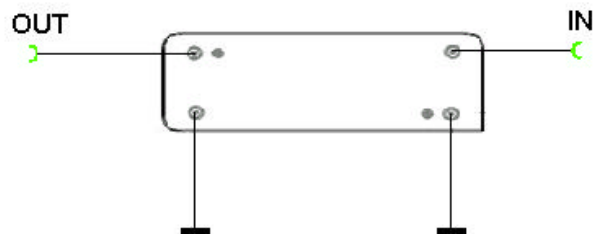
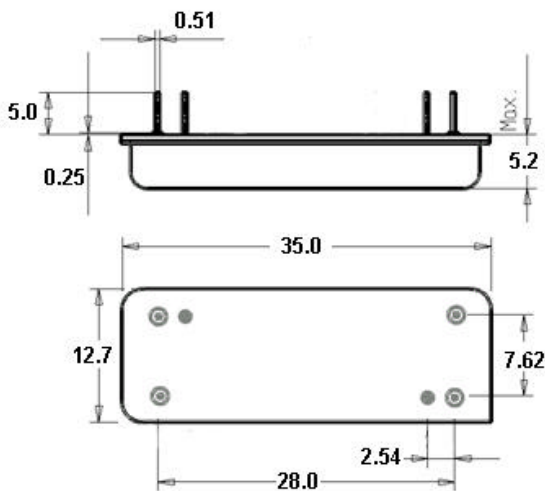
| Parameter           | Unit | Minimum                               | Typical | Maximum |
|---------------------|------|---------------------------------------|---------|---------|
| Center Frequency    | MHz  | 69.95                                 | 70      | 70.05   |
| Insertion Loss      | dB   |                                       | 34.5    | 35.5    |
| 3 dB Bandwidth      | MHz  | 19.2                                  | 19.28   |         |
| 40 dB Bandwidth     | MHz  |                                       | 19.88   | 20      |
| Passband variation  | dB   |                                       | 0.9     | 1.5     |
| Absolute Delay      | usec |                                       | 3.89    |         |
| Ultimate Rejection  | dB   | 45                                    | 50      |         |
| Substrate Material  |      | YZ LN                                 |         |         |
| Ambient Temperature | °C   | 25                                    |         |         |
| Package Size        |      | DIP3512 (35x12.7x5.2mm <sup>3</sup> ) |         |         |

**Typical Performance**



**Package Outline**

**Matching Configuration**



Source/Load Impedance = 50 ohm