



TAI-SAW TECHNOLOGY CO., LTD.

No. 3, Industrial 2nd Rd., Ping-Chen Industrial District,
Taoyuan, 324, Taiwan, R.O.C.

TEL: 886-3-4690038 FAX: 886-3-4697532
E-mail: tstsales@mail.taisaw.com Web: www.taisaw.com

Approval Sheet For Product Specification

Issued Date:

Product Name: SAW Filter 38.912 MHz

TST Parts No.:TB0209A

Customer Parts No.:_____

Company:_____
Division:_____
Approved by :_____
Date:_____

Checked by:_____ Andy Yu

Approval by:_____ Francis Chen

Date:_____ 2006/10/26



TAI-SAW TECHNOLOGY CO., LTD.

No. 3, Industrial 2nd Rd., Ping-Chen Industrial District,
Taoyuan, 324, Taiwan, R.O.C.

TEL: 886-3-4690038 FAX: 886-3-4697532

E-mail: tstsales@mail.taisaw.com Web: www.taisaw.com

SAW Filter 38.912 MHz

MODEL NO.:TB0209A

REV. NO.:2.0

A. MAXIMUM RATING:

- 1.Input Power Level: 10 dBm
- 2.Operating Temperature: -40C to +85C
- 3.Storage Temperature: -40C to +85C

RoHS Compliant

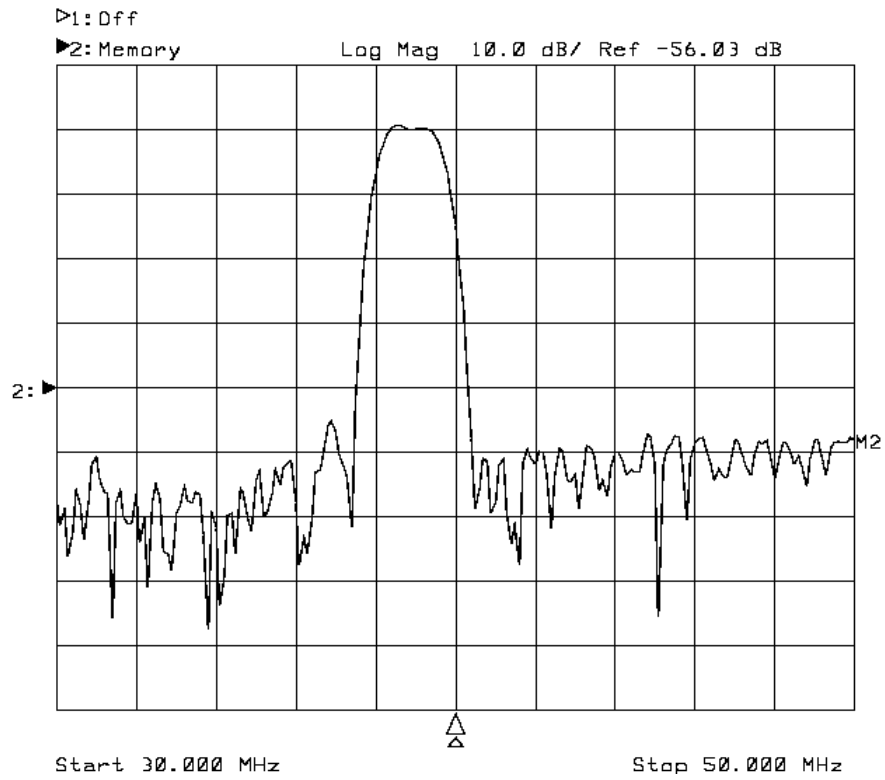
Lead-free soldering

B. ELECTRICAL CHARACTERISTICS:

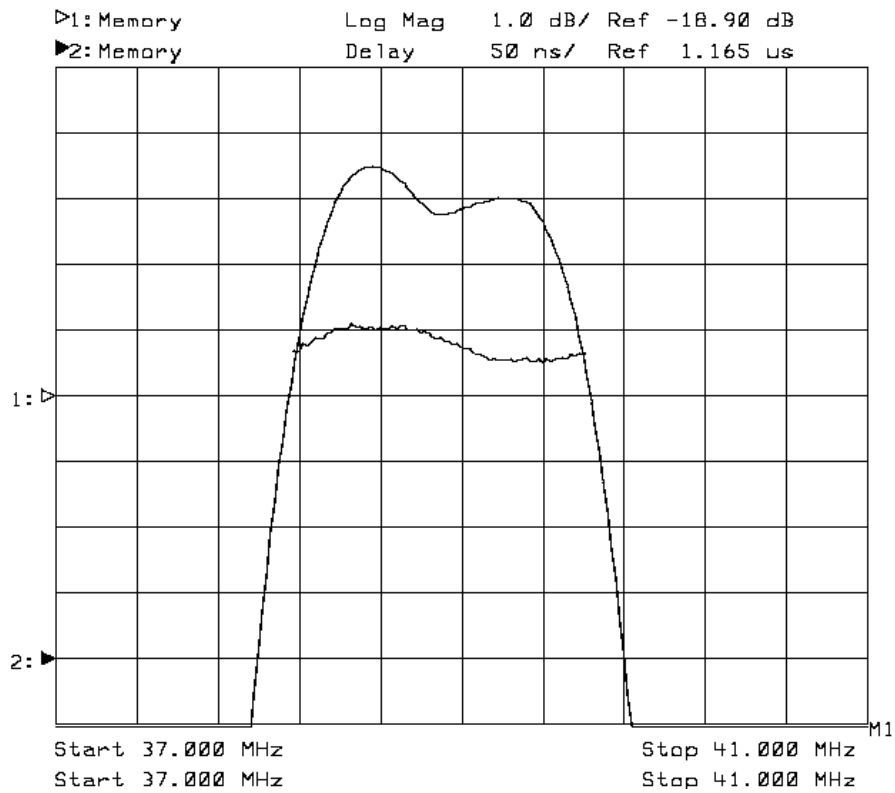
	Min.	Typ.	Max.	
center frequency	38.874	38.912	38.950	MHz
Insertion attenuation 38.912MHz	17.2	18.7	20.2	dB
3.0dB bandwidth	-	1.5	-	MHz
30dB bandwidth	-	2.6	-	MHz
Relative attenuation				
36.26-37.30MHz	38.0	49.0	-	dB
40.60-41.40MHz	38.0	44.0	-	dB
Lower sidelobe				
30.00-36.26MHz	43.0	50.0	-	dB
Upper sidelobe				
41.40-50.00MHz	41.0	46.0	-	dB
Reflected wave signal suppression 1.6us...6.0us after main pulse	42.0	52.0	-	dB
Group delay ripple 38.11...39.71MHz	-	35	-	ns
Impedance at 38.922MHz				
Input:Zin=Rin Cin	-	1.0 25.3	-	KΩ pF
Output:Zout=Rout Cout	-	0.9 15.0	-	KΩ pF
Temperature coefficient of frequency TCf	-	-18	-	ppm/K

C. FREQUENCY CHARACTERISTICS:

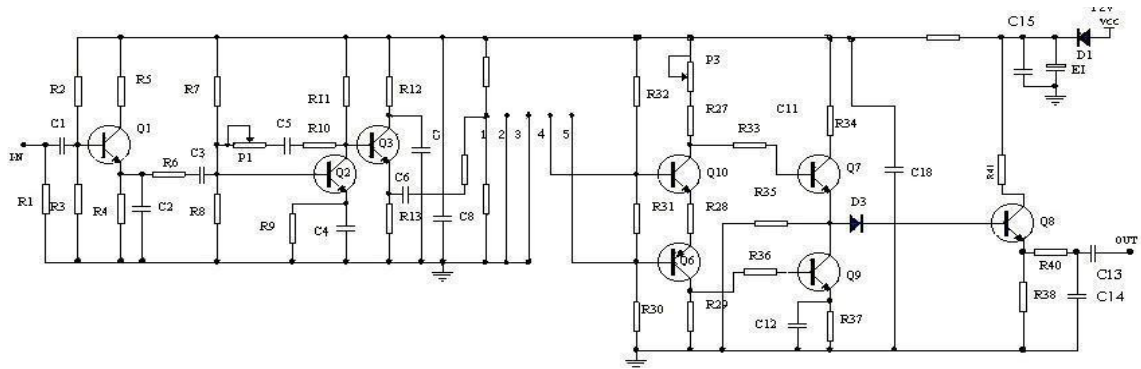
1. Wide Band



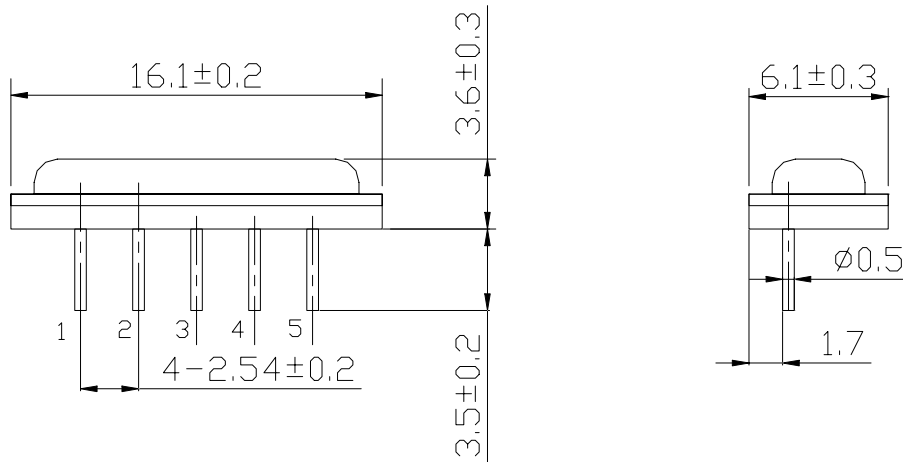
2. In band:



D. MEASUREMENT CIRCUIT:



E. OUTLINE DRAWING:



Pin No.	Functions
1.	Input
2.	Input - ground
3.	Chip carrier - ground
4.	Output
5.	Output