

User's Manual

IE-784956-NS-EM1

Emulation Board

Target device μ PD784955 Subseries

[MEMO]

Windows is either a registered trademark or a trademark of Microsoft Corporation in the United States and/or other countries.

PC/AT is a trademark of International Business Machines Corporation.

The information in this document is subject to change without notice.

No part of this document may be copied or reproduced in any form or by any means without the prior written consent of NEC Corporation. NEC Corporation assumes no responsibility for any errors which may appear in this document.

NEC Corporation does not assume any liability for infringement of patents, copyrights or other intellectual property rights of third parties by or arising from use of a device described herein or any other liability arising from use of such device. No license, either express, implied or otherwise, is granted under any patents, copyrights or other intellectual property rights of NEC Corporation or of others.

Regional Information

Some information contained in this document may vary from country to country. Before using any NEC product in your application, please contact the NEC office in your country to obtain a list of authorized representatives and distributors. They will verify:

- Device availability
- Ordering information
- Product release schedule
- Availability of related technical literature
- Development environment specifications (for example, specifications for third-party tools and components, host computers, power plugs, AC supply voltages, and so forth)
- Network requirements

In addition, trademarks, registered trademarks, export restrictions, and other legal issues may also vary from country to country.

NEC Electronics Inc. (U.S.)

Santa Clara, California
Tel: 408-588-6000
800-366-9782
Fax: 408-588-6130
800-729-9288

NEC Electronics (Germany) GmbH

Duesseldorf, Germany
Tel: 0211-65 03 02
Fax: 0211-65 03 490

NEC Electronics (UK) Ltd.

Milton Keynes, UK
Tel: 01908-691-133
Fax: 01908-670-290

NEC Electronics Italiana s.r.l.

Milano, Italy
Tel: 02-66 75 41
Fax: 02-66 75 42 99

NEC Electronics (Germany) GmbH

Benelux Office
Eindhoven, The Netherlands
Tel: 040-2445845
Fax: 040-2444580

NEC Electronics (France) S.A.

Velizy-Villacoublay, France
Tel: 01-30-67 58 00
Fax: 01-30-67 58 99

NEC Electronics (France) S.A.

Spain Office
Madrid, Spain
Tel: 91-504-2787
Fax: 91-504-2860

NEC Electronics (Germany) GmbH

Scandinavia Office
Taeby, Sweden
Tel: 08-63 80 820
Fax: 08-63 80 388

NEC Electronics Hong Kong Ltd.

Hong Kong
Tel: 2886-9318
Fax: 2886-9022/9044

NEC Electronics Hong Kong Ltd.

Seoul Branch
Seoul, Korea
Tel: 02-528-0303
Fax: 02-528-4411

NEC Electronics Singapore Pte. Ltd.

United Square, Singapore 1130
Tel: 65-253-8311
Fax: 65-250-3583

NEC Electronics Taiwan Ltd.

Taipei, Taiwan
Tel: 02-2719-2377
Fax: 02-2719-5951

NEC do Brasil S.A.

Electron Devices Division
Rodovia Presidente Dutra, Km 214
07210-902-Guarulhos-SP Brasil
Tel: 55-11-6465-6810
Fax: 55-11-6465-6829

J99.1

INTRODUCTION

Product Overview

The IE-784956-NS-EM1 is designed to be used with the IE-78K4-NS to debug the following target devices that belong to the 78K/IV Series of 16-bit single-chip microcontrollers.

- μ PD784955 Subseries: μ PD784953, 784955, 78F4956

Target Readers

This manual is intended for engineers who will use the IE-784956-NS-EM1 with the IE-78K4-NS to perform system debugging.

Engineers who use this manual are expected to be thoroughly familiar with the target device's functions and use methods and to be knowledgeable about debugging.

Organization

When using the IE-784956-NS-EM1, refer to not only this manual (supplied with the IE-784956-NS-EM1) but also the manual that is supplied with the IE-78K4-NS.

IE-78K4-NS User's Manual

- Basic specifications
- System configuration
- External interface functions

IE-784956-NS-EM1 User's Manual

- General
- Part names
- Installation
- Differences between target devices and target interface circuits

Purpose

This manual's purpose is to explain various debugging functions that can be performed when using the IE-784956-NS-EM1.

Terminology

The meanings of certain terms used in this manual are listed below.

Term	Meaning
Emulation device	This is a general term that refers to the device in the emulator that is used to emulate the target device. It includes the emulation CPU.
Emulation CPU	This is the CPU block in the emulator that is used to execute user-generated programs.
Target device	This is the device (a real chip) that is the target for emulation.
Target system	This includes the target program and the hardware provided by the user. When defined narrowly, it includes only the hardware.
IE system	This refers to the combination of the IE-78K4-NS and the IE-784956-NS-EM1.

Conventions

Data significance: Higher digits on the left and lower digits on the right

Note: Footnote for item marked with **Note** in the text

Caution: Information requiring particular attention

Remark: Supplementary information

Related Documents

The related documents (user's manuals) indicated in this publication may include preliminary versions. However, preliminary versions are not marked as such.

Document Name	Document Number	
	English	Japanese
IE-78K4-NS	U13356E	U13356J
IE-784956-NS-EM1	This manual	U13745J
ID78K4-NS Integrated Debugger Reference Windows™ Based	U12796E	U12796J
μPD784955 Subseries	U12833E	U12833J

Caution The documents listed above are subject to change without notice. Be sure to use the latest documents when designing.

CONTENTS

CHAPTER 1 GENERAL	11
1.1 System Configuration	12
1.2 Hardware Configuration.....	14
1.3 Basic Specifications.....	15
CHAPTER 2 PART NAMES	17
2.1 Parts of Main Unit	18
CHAPTER 3 INSTALLATION	19
3.1 Connection.....	20
3.2 Clock Settings.....	21
3.2.1 Overview of clock settings.....	21
3.2.2 Main system clock settings.....	23
3.3 Pin Mask Function Settings.....	28
3.3.1 NMI interrupt mask function.....	28
3.4 Low-Voltage Emulation Setting.....	29
3.5 External Trigger	30
CHAPTER 4 DIFFERENCES BETWEEN TARGET DEVICES AND TARGET INTERFACE CIRCUITS	31
APPENDIX A EMULATION PROBE PIN ASSIGNMENT TABLE	35
APPENDIX B JP1 SETTING	37
APPENDIX C SPECIAL FUNCTION REGISTER (SFR) DIFFERENCES BETWEEN IE-784956-NS-EM1 AND μPD784955 SUBSERIES	39

LIST OF FIGURES

Figure No.	Title	Page
1-1.	System Configuration	12
1-2.	Basic Hardware Configuration	14
2-1.	IE-784956-NS-EM1 Part Names	18
3-1.	Connection of Emulation Probe	20
3-2.	External Circuits Used as System Clock Oscillator	21
3-3.	When Using Clock That Is Already Mounted on Emulation Board	22
3-4.	When Using User-Mounted Clock	22
3-5.	When Using an External Clock	23
3-6.	Connections on Parts Board (When Using Main System Clock or User-Mounted Clock)	24
3-7.	Crystal Oscillator (When Using Main System Clock or User-Mounted Clock)	26
3-8.	Pin Alignment of Crystal Oscillator and Socket	26
3-9.	External Trigger Input Position	30
4-1.	Equivalent Circuit 1 of Emulation Circuit	32
4-2.	Equivalent Circuit 2 of Emulation Circuit	33
B-1.	JP1 Setting	37

LIST OF TABLES

Table No.	Title	Page
1-1.	Basic Specifications.....	15
3-1.	Main System Clock Settings	23
3-2.	Jumper Setting for NMI Interrupt Mask Function.....	28
A-1.	NP-80GC Pin Assignments	35
C-1.	SFR Differences between IE-784956-NS-EM1 and μ PD784955 Subseries	39

[MEMO]

CHAPTER 1 GENERAL

The IE-784956-NS-EM1 is a development tool for efficient debugging of hardware or software when using one of the following target devices that belong to the 78K/IV Series of 16-bit single-chip microcontrollers.

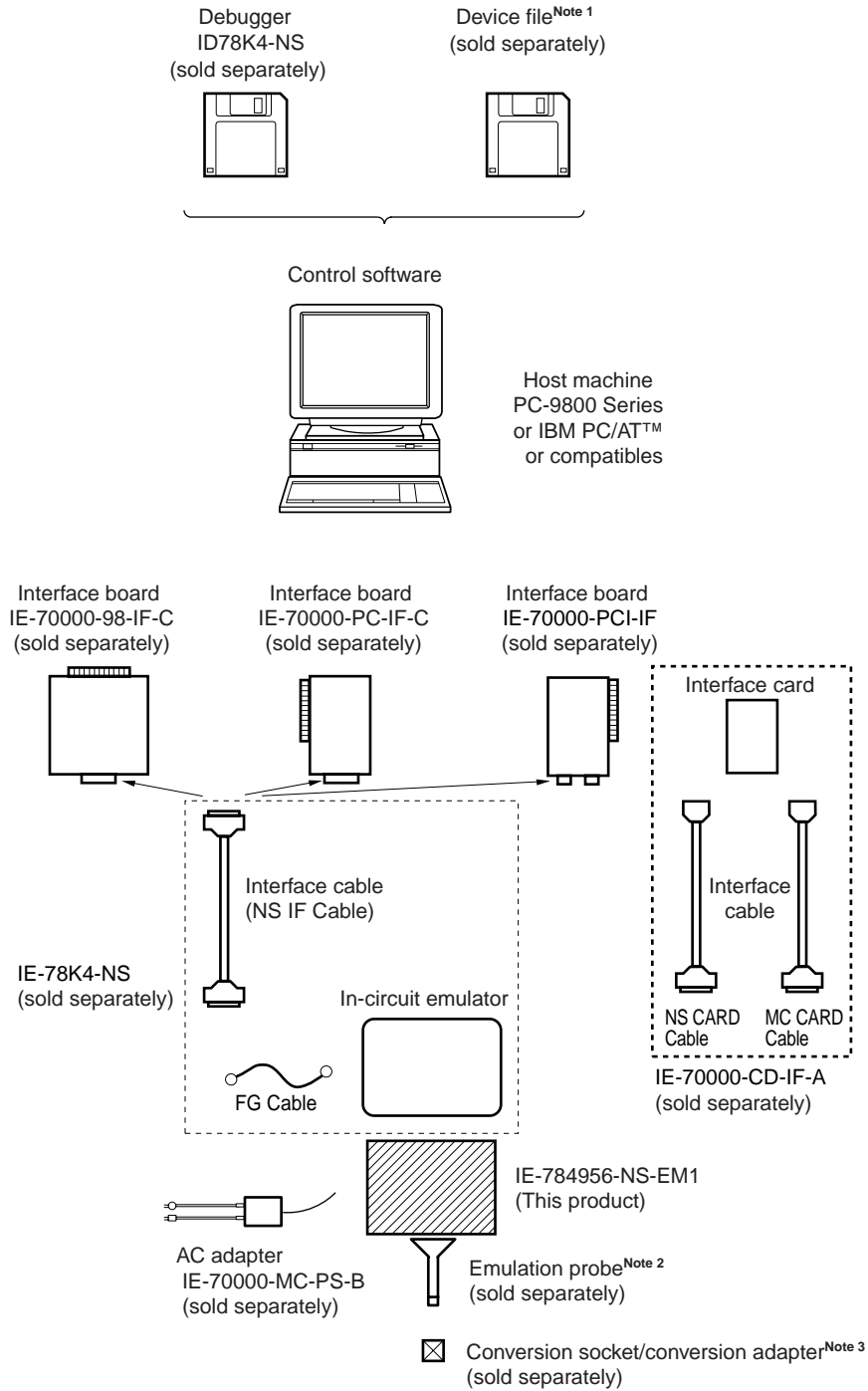
This chapter describes the IE-784956-NS-EM1's system configuration and basic specifications.

- Target device
 - μ PD784955 Subseries

1.1 System Configuration

Figure 1-1 illustrates the IE-784956-NS-EM1's system configuration.

Figure 1-1. System Configuration



Notes 1. The device file is as follows, in accordance with the subseries.

μ SxxxxDF784956: μ PD784955 Subseries

2. The emulation probe is as follows, in accordance with the package.

NP-80GC: 80-pin plastic QFP (GC-8BT type)

The NP-80GC is a product of Naito Densai Machida Mfg. Co., Ltd.

For further information, contact Naito Densai Machida Mfg. Co., Ltd. (TEL: +81-44-822-3813)

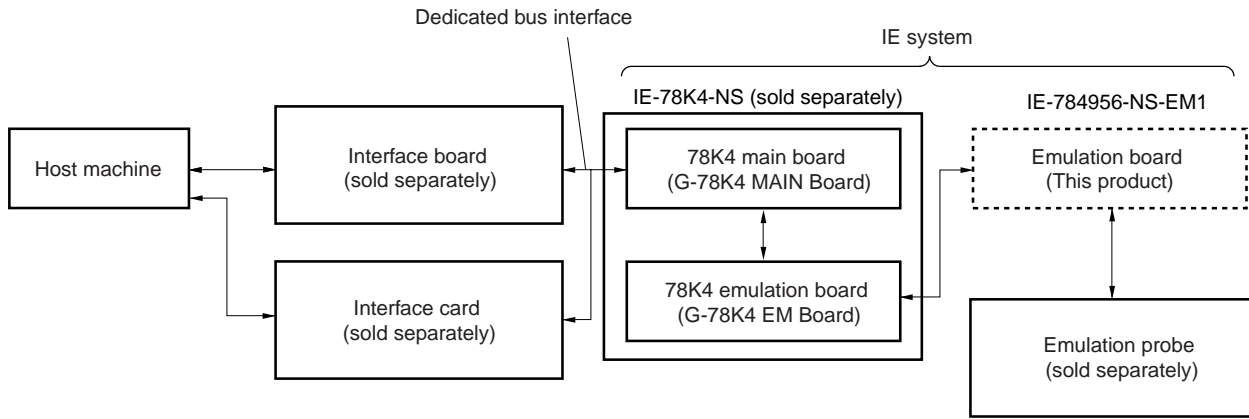
3. The conversion socket/conversion adapter are as follows, in accordance with the package.

EV-9200GC-80: 80-pin plastic QFP (GC-8BT type)

1.2 Hardware Configuration

Figure 1-2 shows the IE-784956-NS-EM1's position in the basic hardware configuration.

Figure 1-2. Basic Hardware Configuration



1.3 Basic Specifications

The IE-784956-NS-EM1's basic specifications are listed in Table 1-1.

Table 1-1. Basic Specifications

Parameter	Description
Target device	μ PD784955 Subseries
System clock	Maximum 12.5 MHz
Main system clock supply	External: Input via an emulation probe from the target system Internal: Mounted on emulation board (6.25 MHz, maximum 25 MHz), or mounted on the board by the user
Low-voltage support	4.5 V or higher

[MEMO]

CHAPTER 2 PART NAMES

This chapter introduces the parts of the IE-784956-NS-EM1 main unit.

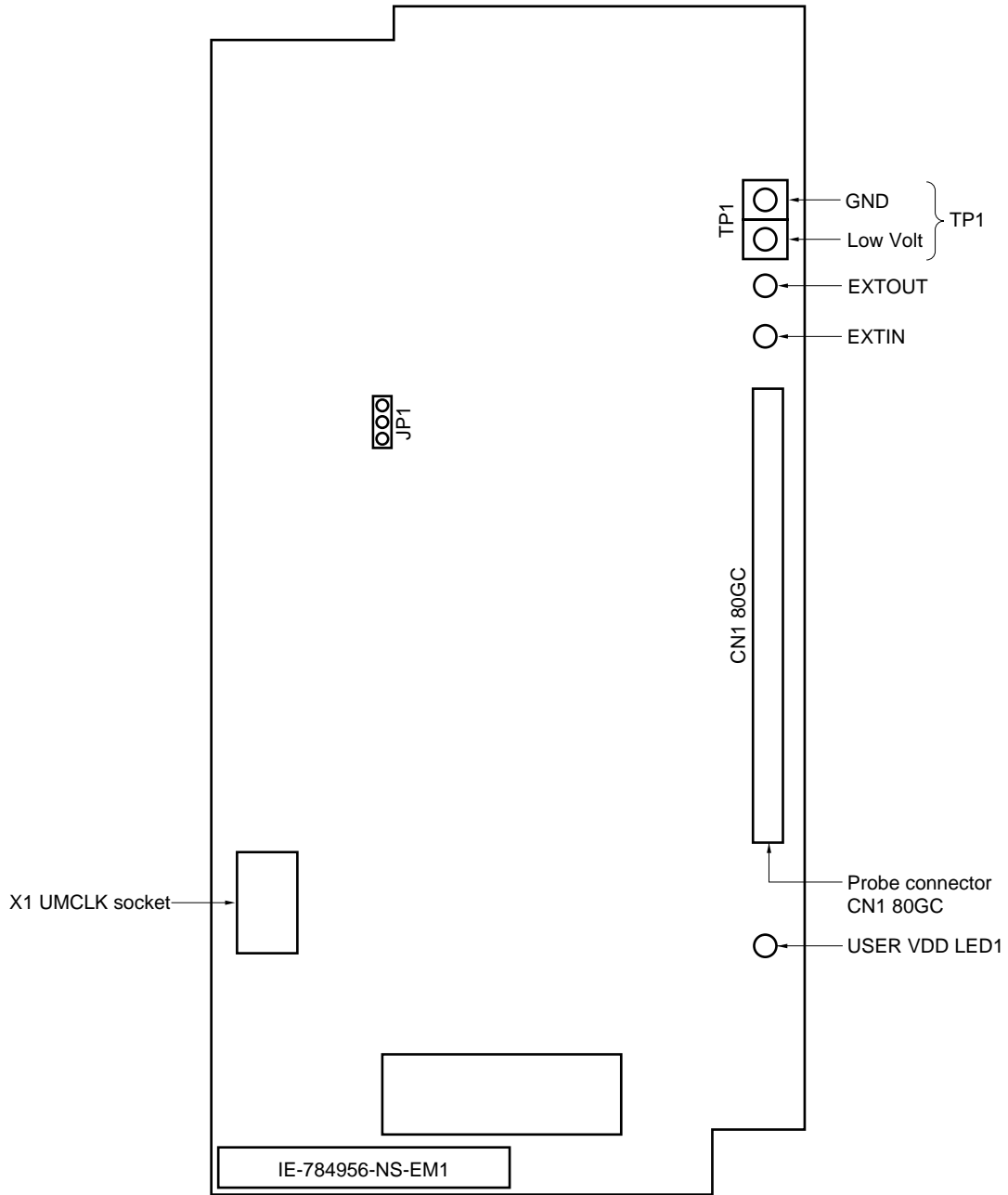
The packing box contains the emulation board (IE-784956-NS-EM1).

If there are any missing or damaged items, please contact an NEC sales representative.

Fill out and return the guarantee document that comes with the main unit.

2.1 Parts of Main Unit

Figure 2-1. IE-784956-NS-EM1 Part Names



CHAPTER 3 INSTALLATION

This chapter describes methods for connecting the IE-784956-NS-EM1 to the IE-78K4-NS, emulation probe, etc. Mode setting methods are also described.

Caution Connecting or removing components to or from the target system, or making switch or other setting changes must be carried out after the power supply to both the IE system and the target system has been switched OFF.

3.1 Connection

(1) Connection with IE-78K4-NS main unit

See the IE-78K4-NS User's Manual (U13356E) for a description of how to connect the IE-784956-NS-EM1 to the IE-78K4-NS.

(2) Connection with emulation probe

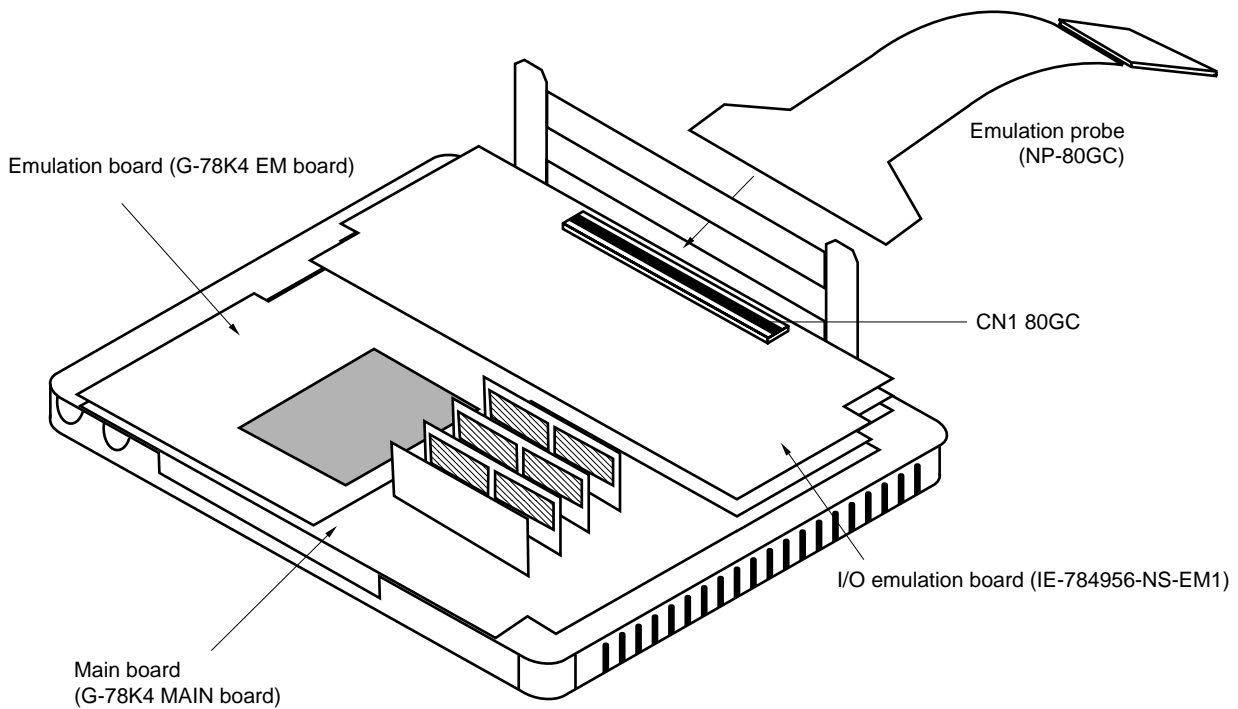
See the IE-78K4-NS User's Manual for a description of how to connect an emulation probe to the IE-784956-NS-EM1.

On this board, connect the emulation probe to CN1.

Caution Incorrect connection may damage the IE system.

Be sure to read the emulation probe's user's manual for a detailed description of the connection method.

Figure 3-1. Connection of Emulation Probe



3.2 Clock Settings

3.2.1 Overview of clock settings

The main system clock to be used during debugging can be selected from (1) to (3) below.

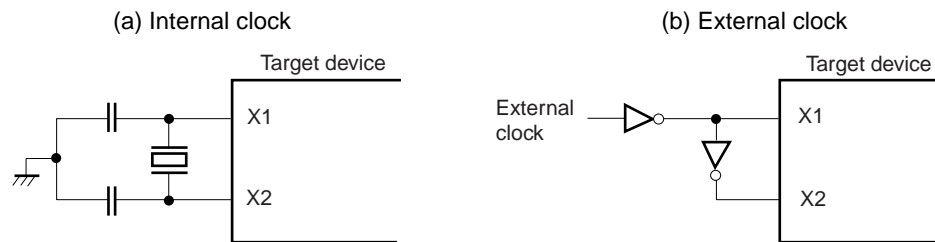
- (1) Clock that is already mounted on emulation board
- (2) Clock that is mounted by user
- (3) External clock

If the target system includes an internal clock, select either “(1) Clock that is already mounted on emulation board” or “(2) Clock that is mounted by user”. For an internal clock, the target device is connected to a resonator and the target device’s internal oscillator is used. An example of the external circuit is shown in part (a) of Figure 3-2. During emulation, the resonator that is mounted on the target system is not used. Instead, it uses the clock that is mounted on the emulation board, which is installed for the IE-78K4-NS.

If the target system includes an external clock, select “(3) External clock”.

For an external clock, a clock signal is supplied from outside of the target device and the target device’s internal oscillator is not used. An example of the external circuit is shown in part (b) of Figure 3-2.

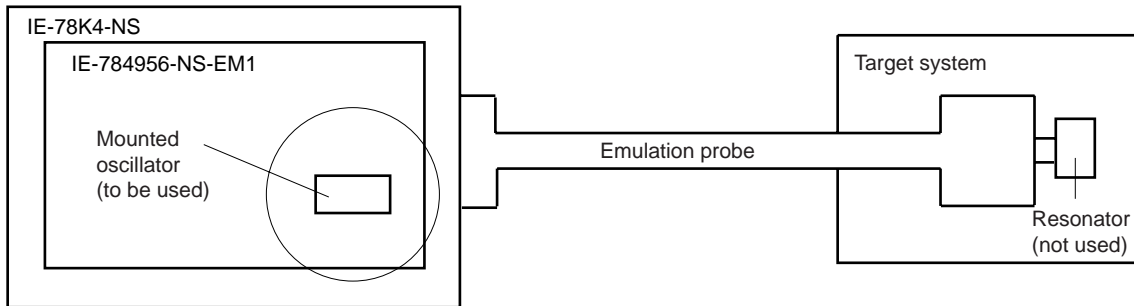
Figure 3-2. External Circuits Used as System Clock Oscillator



(1) Clock that is already mounted on emulation board

A crystal oscillator is already mounted on the emulation board. Its frequency is 6.25 MHz.

Figure 3-3. When Using Clock That Is Already Mounted on Emulation Board

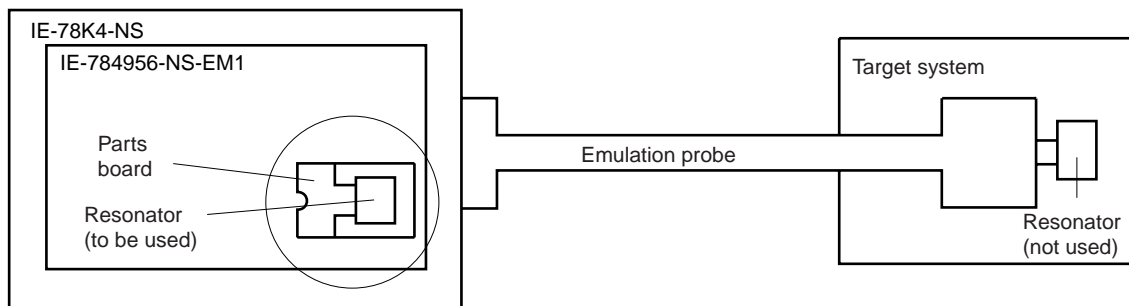


Remark The clock that is supplied by the IE-784956-NS-EM1's oscillator (encircled in the figure) is used.

(2) Clock that is mounted by user

The user is able to mount any clock supported by the set specifications on the IE-784956-NS-EM1. First mount the resonator on the parts board, then attach the parts board to the IE-784956-NS-EM1. This method is useful when using a different frequency from that of the pre-mounted clock.

Figure 3-4. When Using User-Mounted Clock

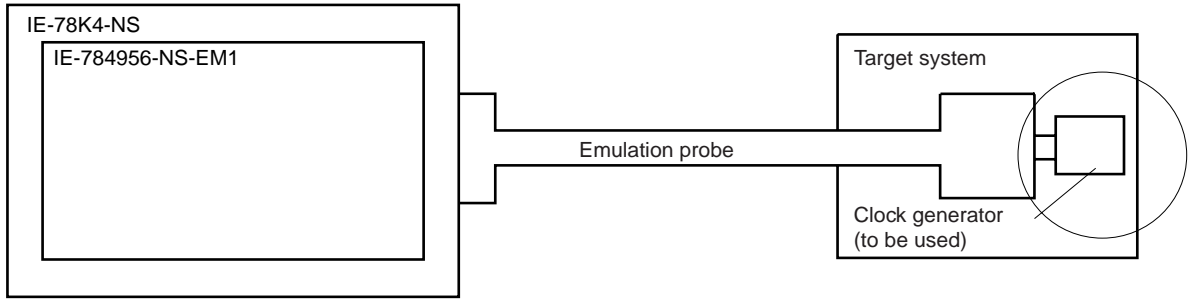


Remark The clock that is supplied by the IE-784956-NS-EM1's resonator (encircled in the figure) is used.

(3) External clock

An external clock connected to the target system can be used via an emulation probe.

Figure 3-5. When Using an External Clock



Remark The clock supplied by the target system's clock generator (encircled in the figure) is used.

3.2.2 Main system clock settings

Table 3-1. Main System Clock Settings

Frequency of Main System Clock		IE-784956-NS-EM1	CPU Clock Source Selection (ID)
		Parts Board (UMCLK)	
When using clock that is already mounted on emulation board	6.25 MHz	Oscillator used	Internal
When using clock mounted by user	Other than 6.25 MHz	Oscillator assembled by user	
When using external clock			Oscillator not used

Caution When using an external clock, open the configuration dialog box when starting the integrated debugger (ID78K4-NS) and select “External” in the area (Clock) for selecting the CPU’s clock source (this selects the user’s clock).

Remark The IE-784956-NS-EM1’s factory settings are those listed above under “when using clock that is already mounted on emulation board”.

(1) When using clock that is already mounted on emulation board

When the IE-784956-NS-EM1 is shipped, a 6.25-MHz crystal oscillator is already mounted in the IE-784956-NS-EM1’s UMCLK socket. When using the factory-set mode settings, there is no need to make any other hardware settings.

When starting the integrated debugger (ID78K4-NS), open the configuration dialog box and select “Internal” in the area (Clock) for selecting the CPU’s clock source (this selects the emulator’s internal clock).

(2) When using clock mounted by user

The settings described under either (a) or (b) are required, depending on the type of clock to be used. When starting the integrated debugger (ID78K4-NS), open the configuration dialog box and select "Internal" in the area (Clock) for selecting the CPU's clock source (this selects the emulator's internal clock).

(a) When using a ceramic resonator or crystal resonator

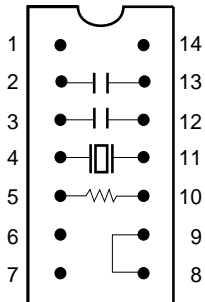
- Items to be prepared
 - Parts board (supplied with IE-78K4-NS)
 - Ceramic resonator or crystal resonator
 - Resistor Rx
 - Capacitor CA
 - Capacitor CB
 - Solder kit

<Steps>

- <1> Solder the target ceramic resonator or crystal resonator, resistor Rx, capacitor CA, and capacitor CB (all with suitable oscillation frequency) onto the supplied parts board (as shown below).

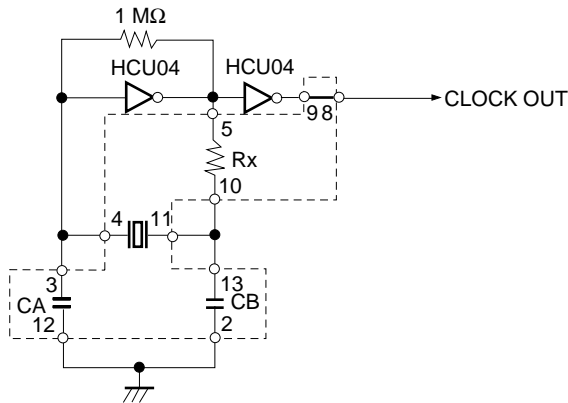
Figure 3-6. Connections on Parts Board (When Using Main System Clock or User-Mounted Clock)

Parts board (UMCLK)



Pin No.	Connection
2-13	Capacitor CB
3-12	Capacitor CA
4-11	Ceramic resonator or crystal resonator
5-10	Resistor Rx
8-9	Short

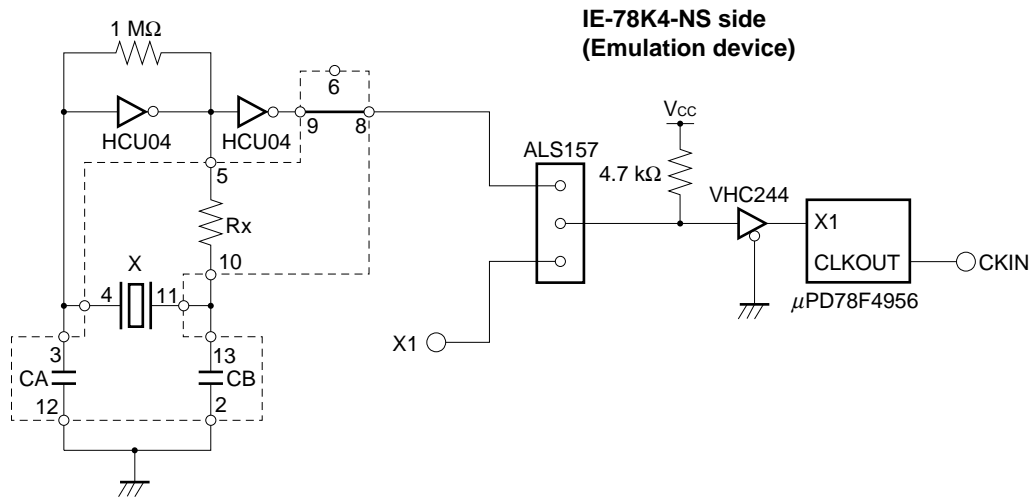
Circuit diagram



Remark The sections enclosed in broken lines indicate parts that are attached to the parts board.

- <2> Prepare the IE-784956-NS-EM1.
- <3> Remove the crystal oscillator that is mounted in the IE-784956-NS-EM1's socket (the socket marked as UMCLK).
- <4> Connect the parts board (from <1> above) to the socket (UMCLK) from which the crystal oscillator was removed. Check the pin 1 mark to make sure the board is mounted in the correct direction.
- <5> Make sure that the parts board mounted in the UMCLK socket on the emulation board is wired as shown in Figure 3-6 above.
- <6> Install the IE-784956-NS-EM1 in the IE-78K4-NS.

The above steps configure the following circuit and enable supply of the clock from the mounted resonator to the emulation device.

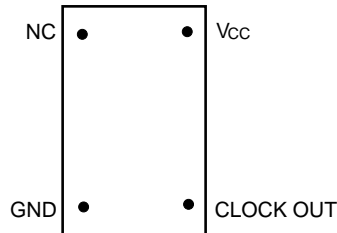


Remark The sections enclosed in broken lines indicate parts that are attached to the parts board.

(b) When using a crystal oscillator

- Items to be prepared
 - Crystal oscillator (see pinouts shown in Figure 3-7)

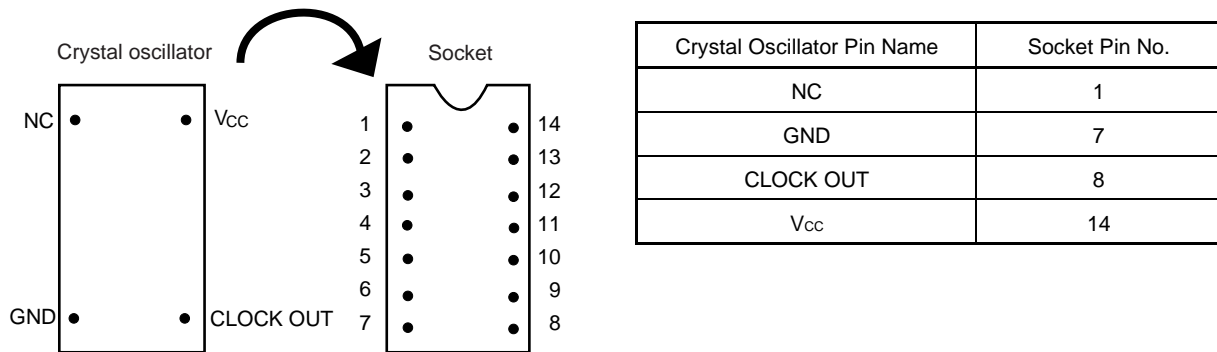
Figure 3-7. Crystal Oscillator (When Using Main System Clock or User-Mounted Clock)



<Steps>

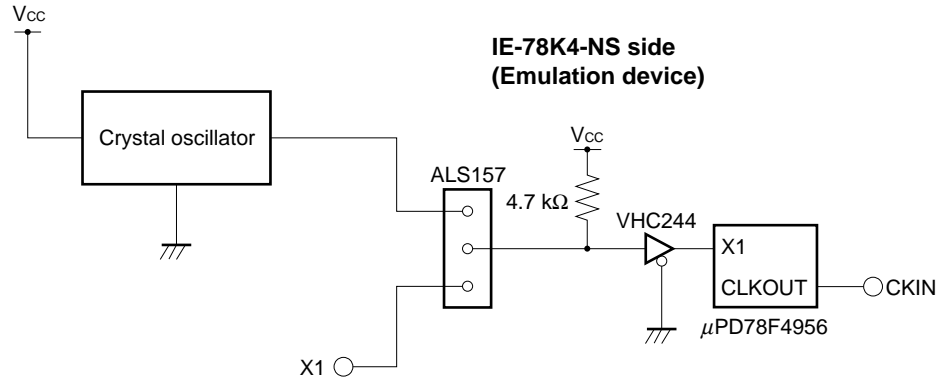
- <1> Prepare the IE-784956-NS-EM1.
- <2> Remove the crystal oscillator that is mounted in the IE-784956-NS-EM1's socket (the socket marked as UMCLK).
- <3> Connect the crystal oscillator (from <2> above) to the socket (UMCLK) from which the crystal oscillator was removed. Insert the crystal oscillator pin into the socket aligning the pins as shown in the figure below.

Figure 3-8. Pin Alignment of Crystal Oscillator and Socket



- <4> Install the IE-784956-NS-EM1 in the IE-78K4-NS.

The above steps configure the following circuit and enable supply of the clock from the mounted resonator to the emulation device.



(3) When using external clock

No hardware settings are required for this situation.

When starting the integrated debugger (ID78K4-NS), open the configuration dialog box and select "External" in the area (Clock) for selecting the CPU's clock source (this selects the user's clock).

3.3 Pin Mask Function Settings

3.3.1 NMI interrupt mask function

By setting a jumper (JP1) in the IE-784956-NS-EM1, it is possible to mask the NMI interrupt, which is the alternate function of the P00 pin.

Table 3-2. Jumper Setting for NMI Interrupt Mask Function

Status	Jumper Setting
No NMI mask (initial setting)	2-3 shorted
NMI masked	1-2 shorted

Caution Because the NMI interrupt is the alternate function of the P00 pin, this pin cannot operate as the P00 pin when the NMI mask status has been set.

3.4 Low-Voltage Emulation Setting

Low-voltage emulation is possible in the IE system.

When the target system is operating on low voltage, supply the same voltage as the target system to the TP1 terminal pin of the IE-784956-NS-EM1. Set the target voltage between 4.5 and 5 V.

- Maximum current consumption of TP1

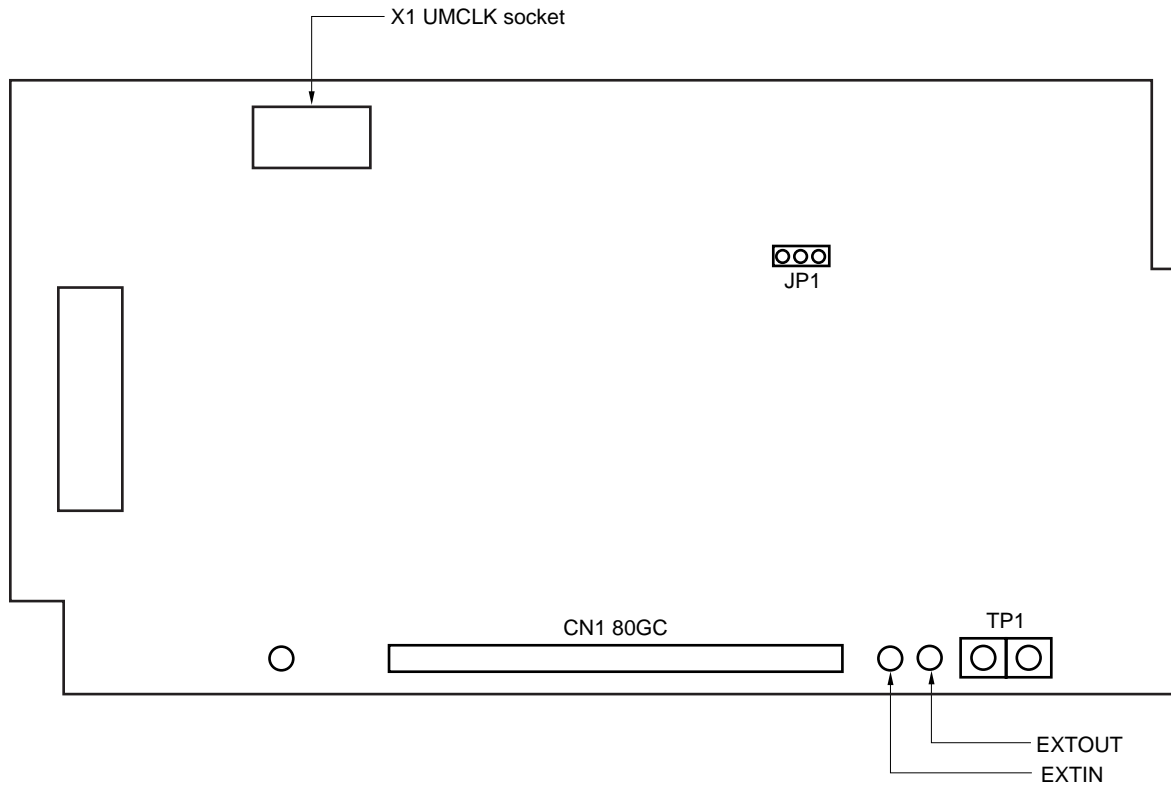
5 V	300 mA
⋮	⋮
4.5 V	250 mA

3.5 External Trigger

To set up an external trigger, connect it to the IE-784956-NS-EM1's check pin, EXTOUT pin, and EXTIN pin as shown below.

See the integrated debugger (ID-78K4-NS) User's Manual for descriptions of related use methods.

Figure 3-9. External Trigger Input Position



CHAPTER 4 DIFFERENCES BETWEEN TARGET DEVICES AND TARGET INTERFACE CIRCUITS

This chapter describes differences between the target device's signal lines and the signal lines of the IE-784956-NS-EM1's target interface circuit.

Although the target device is a CMOS circuit, the IE-784956-NS-EM1's target interface circuit consists of an emulation CPU, TTL, CMOS-IC, and other emulation circuits.

When the IE system is connected with the target system for debugging, the IE system performs emulation so as to operate as the actual target device would operate in the target system.

However, some minor differences exist since the operations are performed via the IE system's emulation.

- (1) Signals directly input/output to/from the emulation CPU
- (2) Signals input from the target system via a gate
- (3) Other signals

The IE system's circuit is used as follows for signals listed in (1) to (3) above.

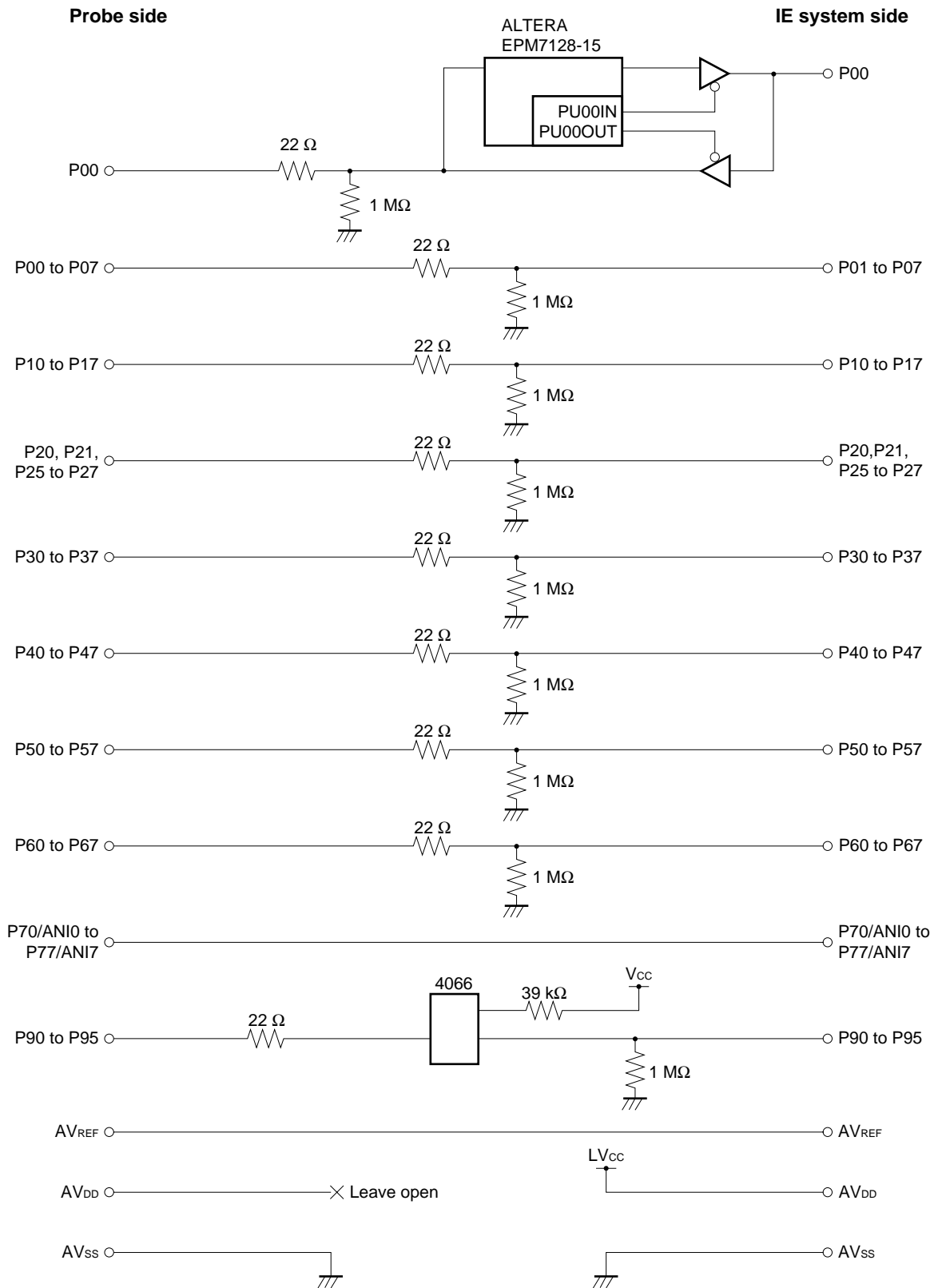
(1) Signals directly input/output to/from the emulation CPU

The following signals perform the same operations as in the μ PD784955 Subseries. For the signals related to ports excluding port 7 (having alternate functions as pins for A/D converter), however, a 1-M Ω pull-down resistor and 22- Ω resistor are inserted in series.

- Signals related to port 0
- Signals related to port 1
- Signals related to port 2
- Signals related to port 3
- Signals related to port 4
- Signals related to port 5
- Signals related to port 6
- Signals related to port 7 (A/D converter input)
- Signals related to port 9
- Signals related to A/D converter
 - AV_{REF}
 - AV_{SS}

Caution The AV_{DD} pin on the target system is not connected to the IE system. Either the power supply of the IE system or the power supply supplied to TP1 is supplied to the AV_{DD} pin of the emulation CPU.

Figure 4-1. Equivalent Circuit 1 of Emulation Circuit

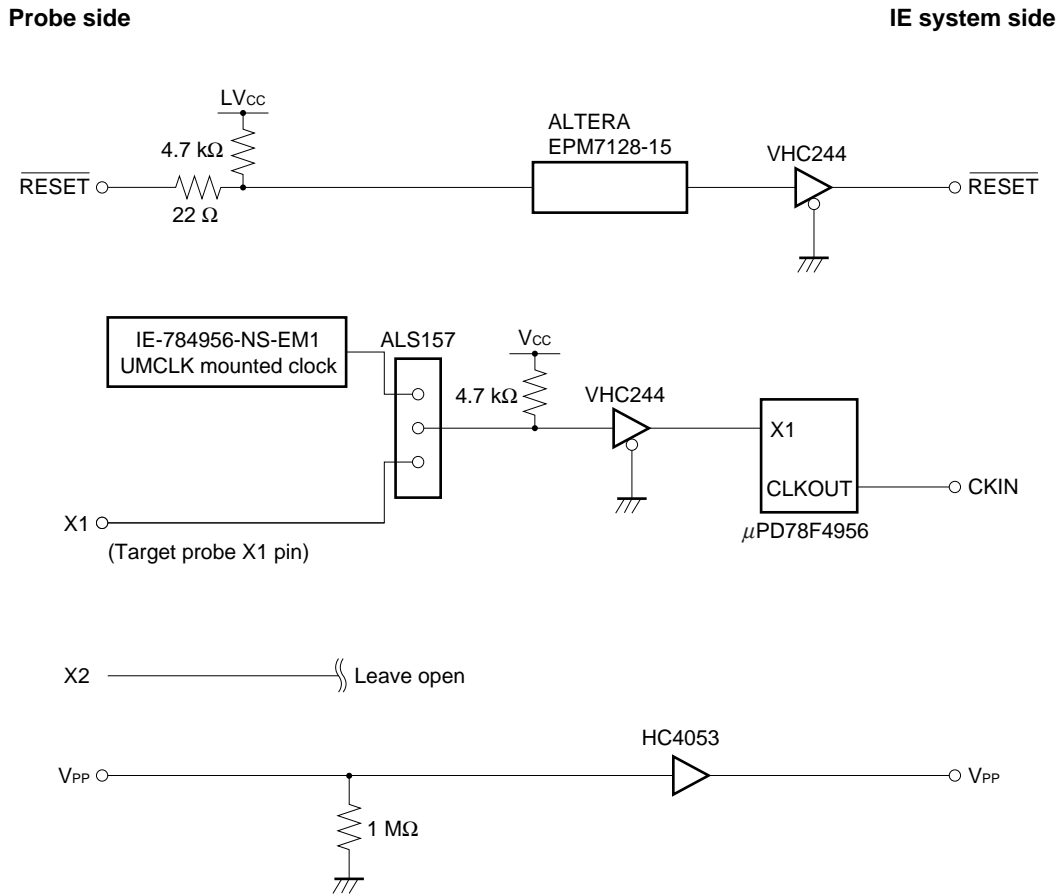


(2) Signals input from the target system via a gate

Since the following signals are input via a gate, their timing shows a delay compared to that of the μ PD784955 Subseries. Their AC characteristics and DC characteristics are therefore different from μ PD784955 Subseries, making it necessary to observe a stricter timing design than in the case of μ PD784955 Subseries.

- $\overline{\text{RESET}}$ signal
- Signals related to clock input

Figure 4-2. Equivalent Circuit 2 of Emulation Circuit



Remark During a reset operation, the voltage in the IE system is selected and used for the V_{PP} input applied to the IE system. After the reset is released, the voltage from the target device is used.

(3) Other signals

- V_{DD} pin
When the emulation CPU is operating at 5 V, its power is supplied from the internal IE system, but when operating at low voltage, its power is supplied from the low-voltage pin (TP1). The V_{DD} pin of the target system is only used to control the LED (USERV_{DD}) in the IE system that monitors the input of the target system's power supply.
- V_{SS} pin
The V_{SS} pin is connected to GND inside the IE system.

[MEMO]

APPENDIX A EMULATION PROBE PIN ASSIGNMENT TABLE

Table A-1. NP-80GC Pin Assignments (1/2)

Emulation Probe	CN1 Pin No.	Emulation Probe	CN1 Pin No.
1	114	34	49
2	113	35	50
3	108	36	45
4	107	37	46
5	104	38	41
6	103	39	42
7	100	40	35
8	99	41	8
9	94	42	7
10	93	43	14
11	30	44	13
12	29	45	18
13	24	46	17
14	23	47	22
15	20	48	21
16	19	49	28
17	16	50	27
18	15	51	92
19	10	52	91
20	9	53	98
21	37	54	97
22	43	55	102
23	44	56	101
24	47	57	106
25	48	58	105
26	51	59	112
27	52	60	111
28	57	61	83
29	58	62	77
30	59	63	78
31	60	64	73
32	55	65	74
33	56	66	69

- Remarks**
1. The NP-80GC is a product of Naito Densai Machida Mfg. Co., Ltd.
 2. The numbers in the “Emulation probe” column indicate the corresponding pin number on the emulation probe tip.

Table A-1. NP-80GC Pin Assignments (2/2)

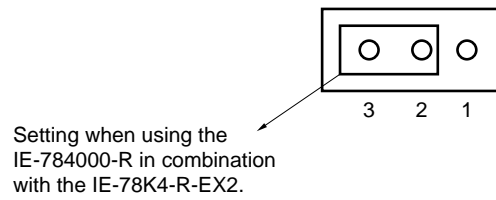
Emulation Probe	CN1 Pin No.	Emulation Probe	CN1 Pin No.
67	70	74	71
68	63	75	72
69	64	76	75
70	61	77	76
71	62	78	79
72	65	79	80
73	66	80	85

- Remarks**
1. The NP-80GC is a product of Naito Densetsu Machida Mfg. Co., Ltd.
 2. The numbers in the "Emulation probe" column indicate the corresponding pin number on the emulation probe tip.

APPENDIX B JP1 SETTING

When using the IE-784956-NS-EM1 in combination with the IE-78K4-R-EX2 in the IE-784000-R, short the 2 and 3 pin side. In this case, make the NMI mask setting using control software.

Figure B-1. JP1 Setting



[MEMO]

**APPENDIX C SPECIAL FUNCTION REGISTER (SFR) DIFFERENCES
BETWEEN IE-784956-NS-EM1 AND μ PD784955 SUBSERIES**

The following special function registers (SFRs) are different in the IE-784956-NS-EM1 and the μ PD784955 Subseries.

Table C-1. SFR Differences between IE-784956-NS-EM1 and μ PD784955 Subseries

<P4, P5, P6>

	μ PD784955 Subseries	IE-784956-NS-EM1
Initial value	00H	Undefined

<P9>

	μ PD784955 Subseries	IE-784956-NS-EM1
Initial value	00H	Undefined
R/W attribute	Bits 6 and 7 are fixed to 0.	R/W is possible for all bits.

<PM9>

	μ PD784955 Subseries	IE-784956-NS-EM1
R/W attribute	Bits 6 and 7 are fixed to 1.	R/W is possible for all bits.

<PU0>

	μ PD784955 Subseries	IE-784956-NS-EM1
R/W attribute	Bits 7 and 3 to 0 are fixed to 0.	R/W is possible for all bits.

<STBC>

	μ PD784955 Subseries	IE-784956-NS-EM1
Initial value	A version: 30H	A version: 30H
	Non-A version: 00H	Non-A version: 30H
R/W attribute	A version: Bits 7, 6, 3, and 2 are fixed to 0.	A version: R/W is possible for all bits.
	Non-A version: Bits 7 to 2 are fixed to 0.	Non-A version: R/W is possible for all bits.

<OSTS>

	μ PD784955 Subseries	IE-784956-NS-EM1
R/W attribute	Bits 7 to 2 are fixed to 0.	Bits 6 to 3 are fixed to 0.

[MEMO]

[MEMO]

[MEMO]

Facsimile Message

Although NEC has taken all possible steps to ensure that the documentation supplied to our customers is complete, bug free and up-to-date, we readily accept that errors may occur. Despite all the care and precautions we've taken, you may encounter problems in the documentation. Please complete this form whenever you'd like to report errors or suggest improvements to us.

From:

Name

Company

Tel.

FAX

Address

Thank you for your kind support.

North America

NEC Electronics Inc.
Corporate Communications Dept.
Fax: 1-800-729-9288
1-408-588-6130

Hong Kong, Philippines, Oceania

NEC Electronics Hong Kong Ltd.
Fax: +852-2886-9022/9044

Asian Nations except Philippines

NEC Electronics Singapore Pte. Ltd.
Fax: +65-250-3583

Europe

NEC Electronics (Europe) GmbH
Technical Documentation Dept.
Fax: +49-211-6503-274

Korea

NEC Electronics Hong Kong Ltd.
Seoul Branch
Fax: 02-528-4411

Japan

NEC Semiconductor Technical Hotline
Fax: 044-548-7900

South America

NEC do Brasil S.A.
Fax: +55-11-6465-6829

Taiwan

NEC Electronics Taiwan Ltd.
Fax: 02-2719-5951

I would like to report the following error/make the following suggestion:

Document title: _____

Document number: _____ Page number: _____

If possible, please fax the referenced page or drawing.

Document Rating	Excellent	Good	Acceptable	Poor
Clarity	<input type="checkbox"/>	<input type="checkbox"/>	<input type="checkbox"/>	<input type="checkbox"/>
Technical Accuracy	<input type="checkbox"/>	<input type="checkbox"/>	<input type="checkbox"/>	<input type="checkbox"/>
Organization	<input type="checkbox"/>	<input type="checkbox"/>	<input type="checkbox"/>	<input type="checkbox"/>