

PLEASE CHECK WWW.MOLEX.COM FOR LATEST PART INFORMATION

Part Number: [0743209224](#)
Status: **Active**
Description: MicroCross™ DVI-I Digital Interface, PCB Receptacle, Panel Mount, Through Hole, Right Angle, ATX with Beveled Metal Pins, Gold (Au) Flash, with 6.00mm (.236") Jack Posts, 29 Circuits, Leadfree

Documents:

[Drawing \(PDF\)](#) [RoHS Certificate of Compliance \(PDF\)](#)
[Product Specification PS-74320-001 \(PDF\)](#)

Agency Certification

UL E29179

General

Product Family I/O Connectors
 Series [74320](#)
 Application Wire-to-Board
 Comments DDWG (Digital Display Working Group) Standard
 Component Type Receptacle
 Product Name MicroCross™DVI
 Type N/A

Physical

Boot Color N/A
 Circuits (Loaded) 24
 Circuits (maximum) 24
 Color - Resin Natural
 Durability (mating cycles max) 100
 Flammability 94V-0
 Gender Receptacle
 Keying to Mating Part Yes
 Lock to Mating Part Yes
 Material - Metal Copper Alloy
 Material - Plating Mating Gold
 Material - Plating Termination Tin
 Number of Rows 3
 Orientation Right Angle
 PC Tail Length (in) 0.092 In
 PC Tail Length (mm) 2.34 mm
 PCB Locator Yes
 PCB Retention Yes
 Packaging Type Tray
 Panel Mount Yes
 Pitch - Mating Interface (in) 0.075 In
 Pitch - Mating Interface (mm) 1.91 mm
 Pitch - Term. Interface (in) 0.075 In
 Pitch - Term. Interface (mm) 1.91 mm
 Plating min: Mating (µin) 2
 Plating min: Mating (µm) 0.05
 Plating min: Termination (µin) 100
 Plating min: Termination (µm) 2.50
 Polarized to Mating Part Yes
 Polarized to PCB Yes
 Ports 1
 Surface Mount Compatible (SMC) No
 Temperature Range - Operating -20°C to +85°C

EU RoHS

**ELV and RoHS
Compliant**
REACH SVHC
 Not Reviewed
**Halogen-Free
Status**
Not Reviewed

China RoHS



**Need more information on product
environmental compliance?**

Email productcompliance@molex.com
 For a multiple part number RoHS Certificate of Compliance, [click here](#)

Please visit the [Contact Us](#) section for any non-product compliance questions.

Search Parts in this Series

[74320Series](#)

Mates With

[88744](#) , [74323](#)

Termination Interface: Style	Through Hole
Waterproof / Dustproof	No
Wire Size AWG	N/A

Electrical

Current - Maximum per Contact	3A
Grounding to Panel	Yes
Shield Type	Full Shield
Shielded	Yes
Voltage - Maximum	40V AC (RMS)

Solder Process Data

Duration at Max. Process Temperature (seconds)	8
Lead-free Process Capability	SMC & Wave Capable (TH only)
Max. Cycles at Max. Process Temperature	1
Process Temperature max. C	220

Material Info

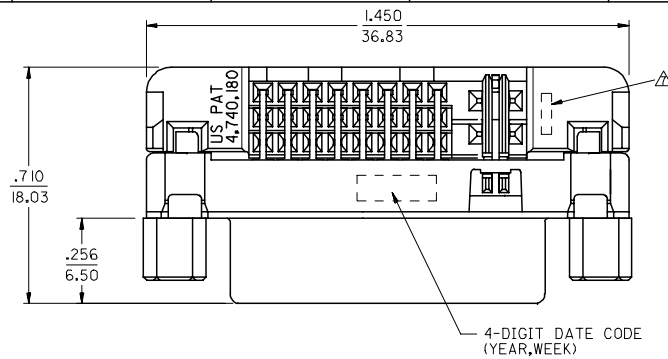
Reference - Drawing Numbers

Packaging Specification	PK-74320-005
Product Specification	PS-74320-001
Sales Drawing	SD-74320-027
Test Summary	TS-74320-001

This document was generated on 05/10/2010

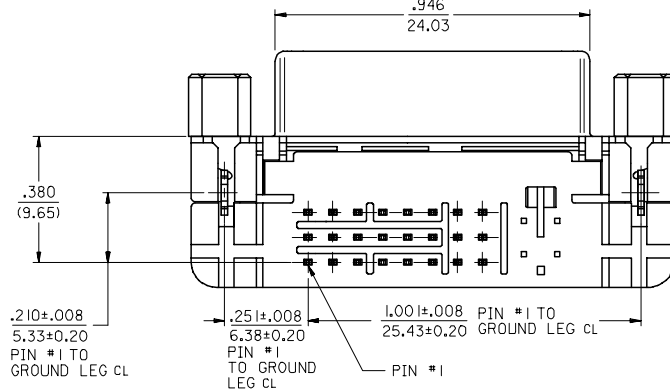
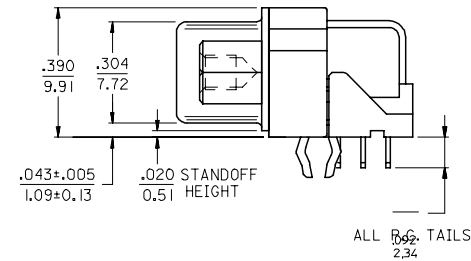
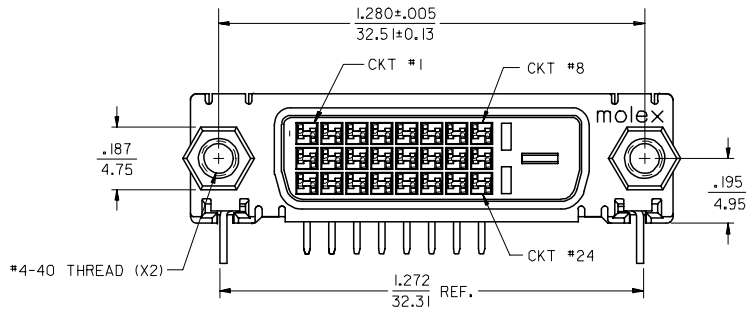
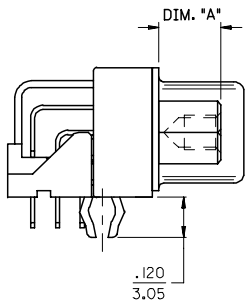
PLEASE CHECK WWW.MOLEX.COM FOR LATEST PART INFORMATION

PART NUMBER	DIM "A"	PLATING OPTION
74320-9020	.187 4.75	1 (30µ Au)
74320-9024	.236 6.00	2 (Au FLASH)
74320-9224	.236 6.00	



NOTES:

- MATERIALS:
SHIELD -- DEEP DRAW STEEL.
HOUSING -- GLASS FILLED POLYMER, WHITE/NATURAL, UL 94v-0.
TAIL ALIGNER -- GLASS FILLED POLYMER, WHITE/NATURAL, UL 94v-0.
CONTACTS -- COPPER ALLOY.
MICROCROSS GROUND -- COPPER ALLOY.
JACKPOSTS -- STEEL, ZINC PLATE W/CLEAR CHROMATE.
 - PLATING: SEE SHEET 2
 - PRODUCT CONFORMS TO MOLEX PRODUCT SPECIFICATION PS-74320-001.
 - SEE SHEET 2 FOR RECOMMENDED P.C.B. LAYOUT.
 - PARTS WILL BE PACKAGED IN TRAYS.
 - PRODUCT CONFORMS TO DDWG DVI SPECIFICATION, REFER TO THIS SPECIFICATION FOR CONNECTOR INTERFACE DIMENSIONS.
- △ CAVITY NO. AND MANUFACTURING PLANT CODE.



ADD NEW P/N	DESCRIPTION	REV
EC NO: SH2007-0558	2007/03/21	
DRWN: JSONG	2007/03/21	
CHKD: JTIAN	2007/03/21	
APPR: INCHEH	2007/03/27	

QUALITY SYMBOLS
▽=0
△=0

GENERAL TOLERANCES (UNLESS SPECIFIED)	
mm	INCH
4 PLACES ±---	±---
3 PLACES ±---	±.010
2 PLACES ±0.25	±.010
1 PLACE ±0.25	±.010
ANGULAR ±---°	

DRAFT WHERE APPLICABLE
MUST REMAIN
WITHIN DIMENSIONS

DIMENSION STYLE	
IN/MM	
DRAWN BY	DATE
TMCCLELL	99/12/07
CHECKED BY	DATE
SCHMIDGA	99/12/07
APPROVED BY	DATE
NELSON	99/12/07
MATERIAL NO.	DOCUMENT NO.
SEE TABLE	SD-74320-027

SCALE	DESIGN UNITS	THIRD ANGLE PROJECTION
4:1	INCH	☉ □
TITLE		
DVI-D/ATX RIGHT ANGLE RECEPTACLE CONNECTOR W/JACKPOSTS		
MOLEX INCORPORATED		
SHEET NO.		1 OF 2

THIS DRAWING CONTAINS INFORMATION THAT IS PROPRIETARY TO MOLEX INCORPORATED AND SHOULD NOT BE USED WITHOUT WRITTEN PERMISSION

10 9 8 7 6 5 4 3 2 1

F

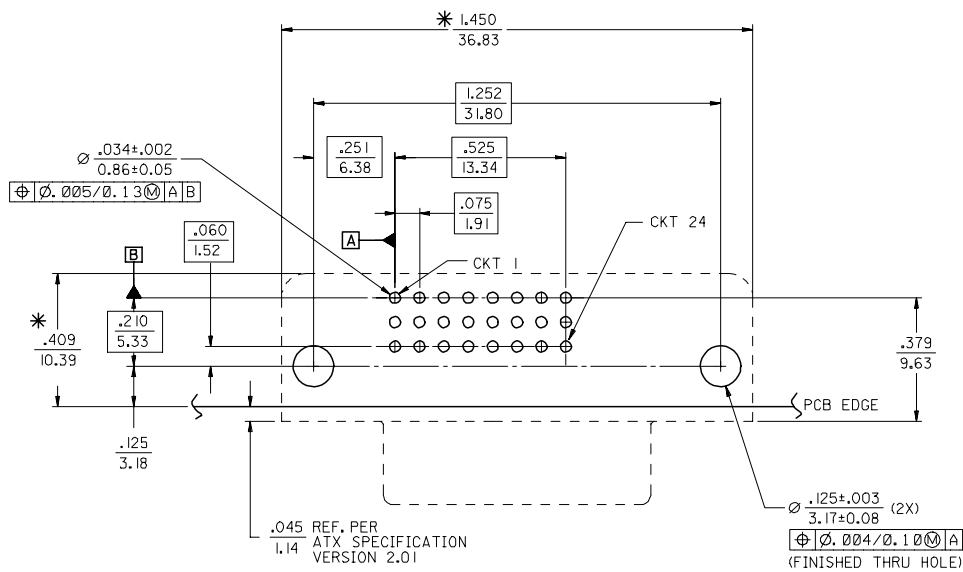
E

D

C

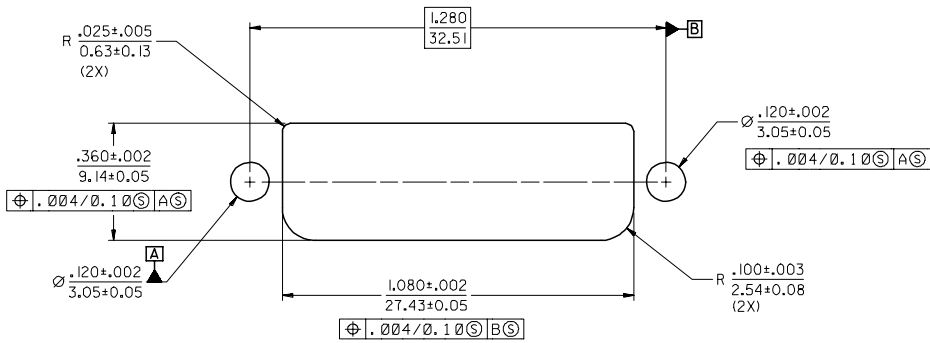
B

A



RECOMMENDED PCB LAYOUT
COMPONENT SIDE OF PCB SHOWN

* THESE DIMENSIONS REPRESENT CONNECTOR OVERLAY ON PCB.



RECOMMENDED PANEL CUT-OUT
PANEL THICKNESS: .030" - .040"

PLATING OPTIONS:

PLATING OPTION #1:

OUTER SHIELD -- 150u"/(3.75um) MIN. BRIGHT TIN OVER 50u"/(1.27um) MIN. NICKEL OVER COPPER FLASH
.075"/(1.91mm) CONTACTS -- 30u"/(0.75um) MIN. SELECT GOLD AND 100u"/(2.50um) MIN. SELECT PURE TIN OVER 50u"/(1.27um) MIN. NICKEL OVERALL.

PLATING OPTION #2:

OUTER SHIELD -- 150u"/(3.75um) MIN. BRIGHT TIN OVER 50u"/(1.27um) MIN. NICKEL OVER COPPER FLASH
.075"/(1.91mm) CONTACTS -- SELECT GOLD FLASH AND 100u"/(2.50um) MIN. SELECT PURE TIN OVER 50u"/(1.27um) MIN. NICKEL OVERALL.

SEE SHEET1	DESCRIPTION
EC NO: SH2007-0558	2007/03/21
DRWN: JSONG	2007/03/21
CHKD: JTIAN	2007/03/21
APPR: INCHEH	2007/03/27
REV	

QUALITY SYMBOLS	▽=0
	∇=0

GENERAL TOLERANCES (UNLESS SPECIFIED)	DIMENSION STYLE	
	IN/MM	
	mm	INCH
4 PLACES	±---	±---
3 PLACES	±---	±.010
2 PLACES	±0.25	±.010
1 PLACE	±0.25	±.010
	ANGULAR ±---°	
DRAFT WHERE APPLICABLE MUST REMAIN WITHIN DIMENSIONS	SEE SHEET1	

DRAWN BY	DATE	TITLE
TMCCLELL	99/12/07	DVI-D/ATX RIGHT ANGLE RECEPTACLE CONNECTOR W/JACKPOSTS
CHECKED BY	DATE	
SCHMIDGA	99/12/07	MOLEX INCORPORATED
APPROVED BY	DATE	
NELSON	99/12/07	
MATERIAL NO.	DOCUMENT NO.	SHEET NO.
SEE SHEET1	SD-74320-027	2 OF 2

SCALE	DESIGN UNITS	THIRD ANGLE PROJECTION
4:1	INCH	

9 8 7 6 5 4 3 2 1