



# MVD100 SERIES

## 12 OR 24 VDC OUTPUT



### FEATURES / BENEFITS

- ▲ Constant DC voltage output
- ▲ Models available for universal (85-265V) input voltage or European input voltages
- ▲ Small size - Light weight
- ▲ Thermal, short-circuit & overload protected
- ▲ IP67 rated

### ELECTRICAL SPECIFICATIONS

- ▲ Converter meets CE standards
- ▲ Approval by UL as a Class 2 recognized component pending
- ▲ VDE & VDE EMV pending
- ▲ Complies to FCC Class B / EN 55015
- ▲ Harmonics = EN 61000-3-2
- ▲ ESD = IEC61000-4-2
- ▲ EMC Immunity = IEC61000-4-3
- ▲ Burst = IEC61000-4-4
- ▲ Surge = IEC61000-4-5
- ▲ Injected RF = IEC61000-4-6
- ▲ Mains interruption = IEC61000-4-11
- ▲ Immunity = EN 61547 / 61047
- ▲ Safety = EN 61347-2-2

### OPERATING CONDITIONS

- ▲ Maximum ambient temperature = 50°C
- ▲ Maximum case temperature = 90°C

### PART NUMBERS

Part Number	Output	Mechanical Dimensions	Weight	Input Voltage
MVDU100-12-P	12 VDC	9.06" x 2.56" x 1.65" (230mm x 65mm x 42mm)	28.2 oz (0.8 kg)	85 - 265 V
MVDU100-24-P	24 VDC	9.06" x 2.56" x 1.65" (230mm x 65mm x 42mm)	28.2 oz (0.8 kg)	85 - 265 V
MVDE100-12-P	12 VDC	9.06" x 2.56" x 1.65" (230mm x 65mm x 42mm)	28.2 oz (0.8 kg)	220 - 240 V
MVDE100-24-P	24 VDC	9.06" x 2.56" x 1.65" (230mm x 65mm x 42mm)	28.2 oz (0.8 kg)	220 - 240 V

#### Dialight-Lumidrives Ltd.

York House • Wetherby Road • Long Marston, York, YO26 7NH  
 Tel: +44(0) 1904 739150 • Fax: +44(0) 1904 737926 • www.dialight.com

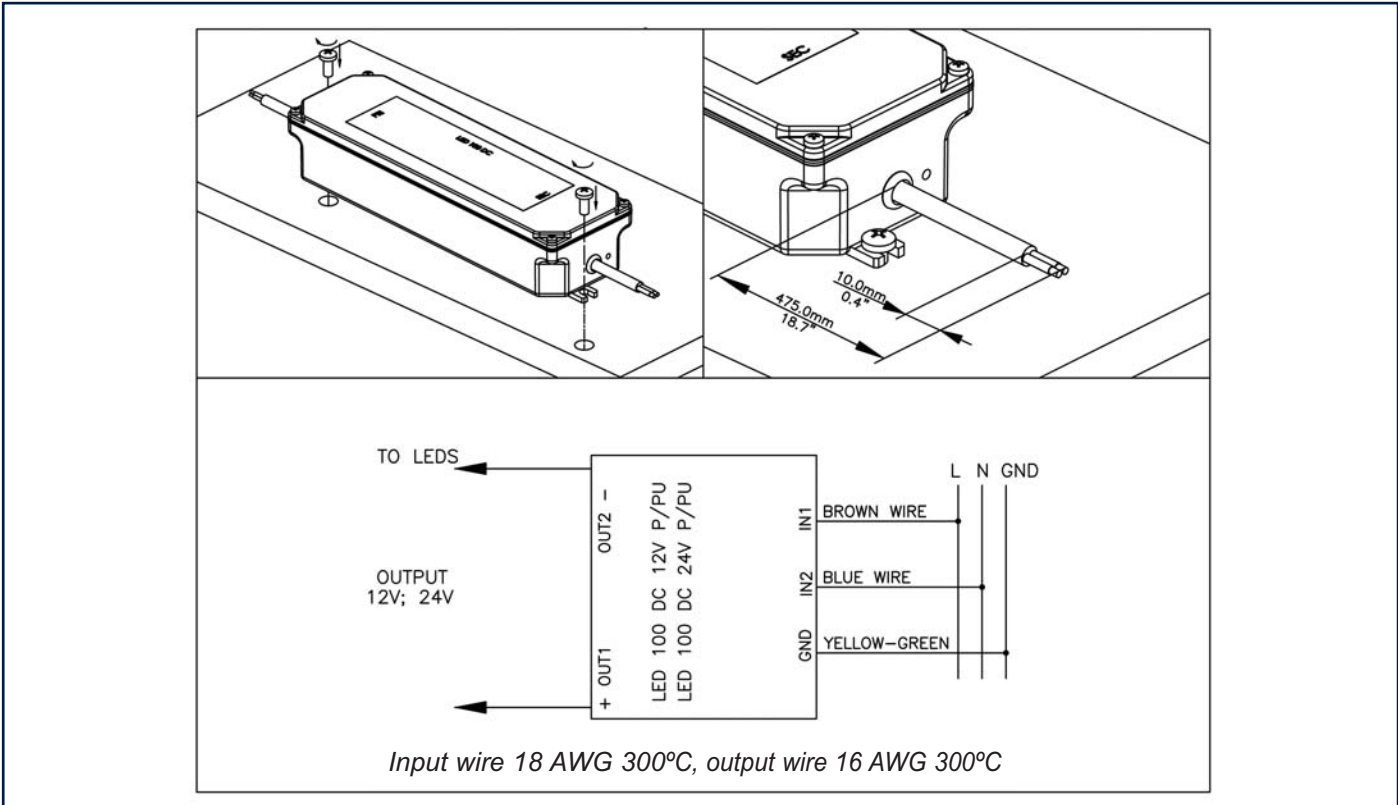
#### Dialight Corporation

1501 Route 34 South • Farmingdale, NJ 07727 USA  
 Tel: (1) 732-919-3119 • Fax: (1) 732-751-5778 • www.dialight.com

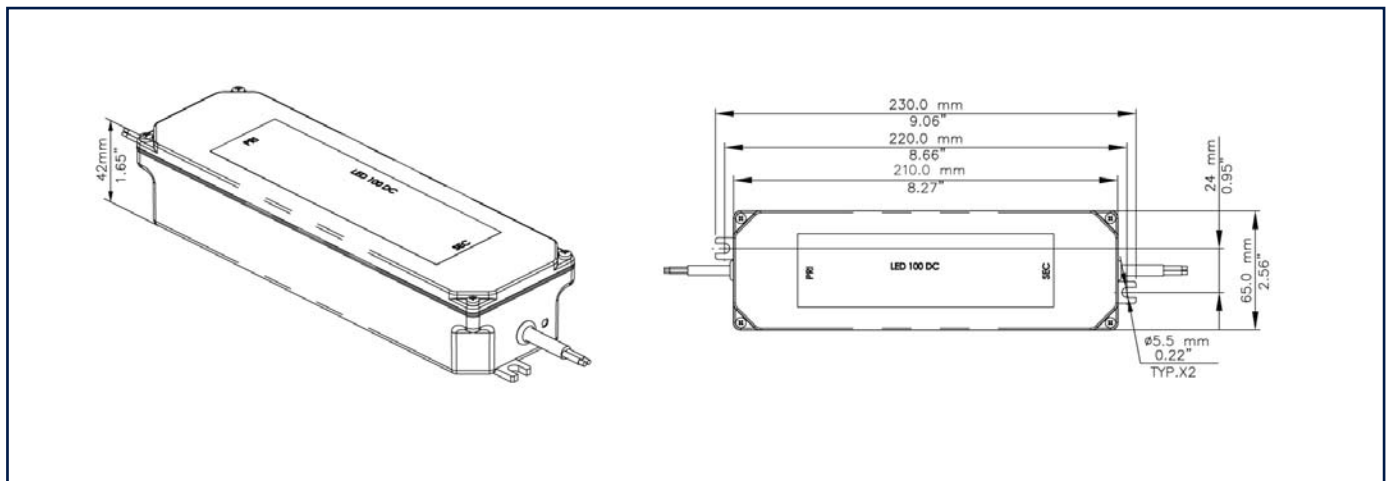


MDEXLUMMVD1001224\_B

### MOUNTING & WIRING INFORMATION



### MECHANICAL DIMENSIONS



Dialight reserves the right to make changes at any time in order to supply the best product possible.

**Dialight-Lumidrives Ltd.**

York House • Wetherby Road • Long Marston, York, YO26 7NH

Tel: +44(0) 1904 739150 • Fax: +44(0) 1904 737926 • [www.dialight.com](http://www.dialight.com)



**Dialight Corporation**

1501 Route 34 South • Farmingdale, NJ 07727 USA

Tel: (1) 732-919-3119 • Fax: (1) 732-751-5778 • [www.dialight.com](http://www.dialight.com)

