

PLEASE CHECK WWW.MOLEX.COM FOR LATEST PART INFORMATION

Part Number: **0674901225**
Status: **Active**
Overview: serial_ata_products
Description: 1.27mm (.050") Pitch Serial ATA Header, Standard Type, Surface Mount, Right Angle, 7 Circuits, without Mylar, 0.38µm (15µ") Gold (Au) Plating, Tray Package, Lead-free

Documents:

[3D Model](#) [Product Specification PS-67490-001 \(PDF\)](#)
[Drawing \(PDF\)](#) [RoHS Certificate of Compliance \(PDF\)](#)

General

Product Family	PCB Headers
Series	67490
Application	Board-to-Board, Wire-to-Board
Comments	Standard Type Without Mylar
Overview	serial_ata_products
Product Name	Serial ATA

Physical

Breakaway	No
Circuits (Loaded)	7
Circuits (maximum)	7
Color - Resin	Black
Durability (mating cycles max)	50
First Mate / Last Break	Yes
Glow-Wire Compliant	No
Guide to Mating Part	Yes
Keying to Mating Part	Yes
Lock to Mating Part	No
Material - Plating Mating	Gold
Material - Plating Termination	Tin
Material - Resin	High Temperature Thermoplastic
Number of Rows	1
Orientation	Right Angle
PCB Locator	No
PCB Retention	Yes
PCB Thickness Recommended (in)	0.062 In
PCB Thickness Recommended (mm)	1.60 mm
Packaging Type	Tray
Pitch - Mating Interface (in)	0.050 In
Pitch - Mating Interface (mm)	1.27 mm
Pitch - Term. Interface (in)	0.050 In
Pitch - Term. Interface (mm)	1.27 mm
Plating min: Mating (µin)	15
Plating min: Mating (µm)	0.38
Plating min: Termination (µin)	50.8
Plating min: Termination (µm)	1.27
Polarized to Mating Part	No
Shrouded	No
Stackable	No
Temperature Range - Operating	-35°C to +85°C
Termination Interface: Style	Surface Mount

Electrical

Current - Maximum per Contact	1.5A
Voltage - Maximum	15V DC

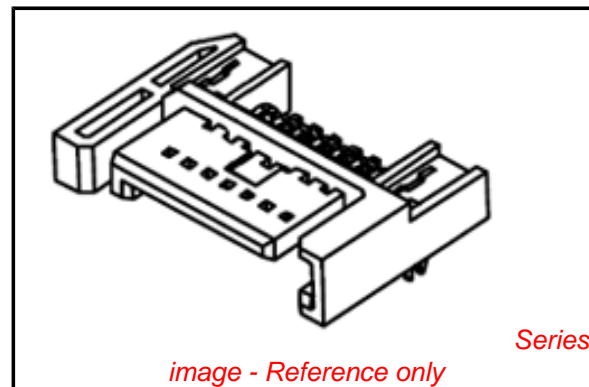


image - Reference only

EU RoHS

ELV and RoHS Compliant
REACH SVHC
Contains SVHC: No
Halogen-Free Status

China RoHS



Need more information on product environmental compliance?

Email productcompliance@molex.com
 For a multiple part number RoHS Certificate of Compliance, [click here](#)

Please visit the [Contact Us](#) section for any non-product compliance questions.

Search Parts in this Series

[67490Series](#)

Mates With

Serial ATA Signal Connector [67489](#) , [88755](#)

Solder Process Data

Lead-free Process Capability
Process Temperature max. C

Reflow Capable (SMT only)
235

Material Info**Reference - Drawing Numbers**

Packaging Specification
Product Specification
Sales Drawing

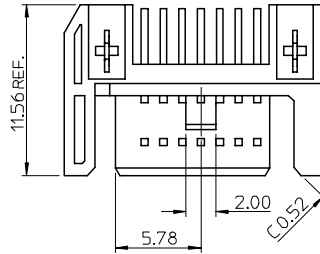
PK-67490-001
PS-67490-001
SD-67490-002

This document was generated on 05/25/2010

PLEASE CHECK WWW.MOLEX.COM FOR LATEST PART INFORMATION

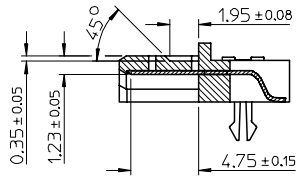
P/N	CONTACT AREA PLATEING	PACKAGE METHOD	REMARK
67490-1220	GOLD FLASH	WITHOUT MYLAR	PURE TIN
67490-1221	0.76 MICRONS GOLD PLATED	TRAY PACKAGE	
67490-1225	0.38 MICRONS GOLD PLATED	PK-67490-001	
67490-1230	GOLD FLASH	WITH MYLAR	
67490-1231	0.76 MICRONS GOLD PLATED	TAPE REEL	
67490-1235	0.38 MICRONS GOLD PLATED	PK-67490-000	
67490-1240	GOLD FLASH	WITH MYLAR	
67490-1241	0.76 MICRONS GOLD PLATED	TUBE PACKAGE	
67490-1245	0.38 MICRONS GOLD PLATED	PK-67490-002	

▽

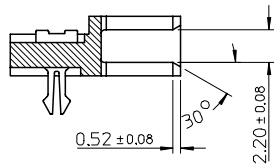


NOTES:

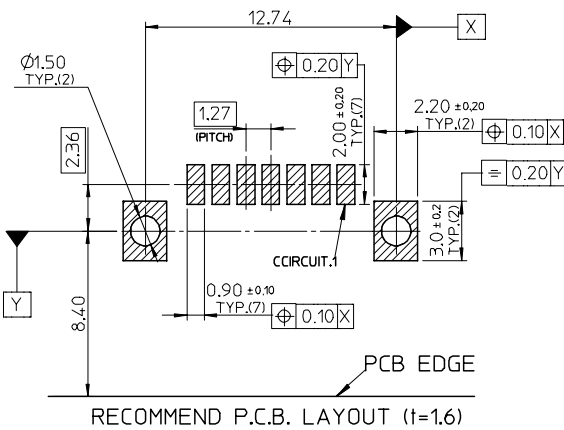
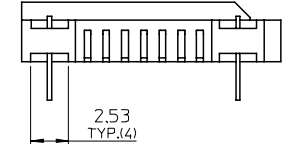
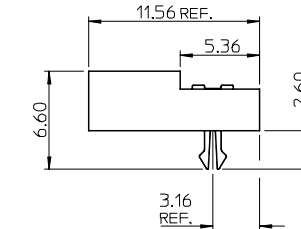
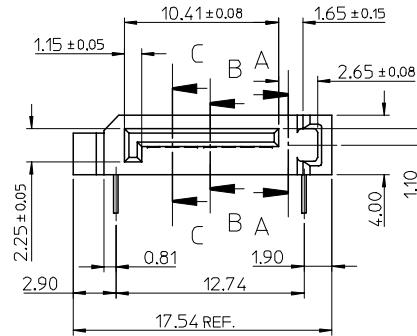
- MATERIAL:
HOUSING: HIGH TEMPERATURE THERMAL PLASTIC
GLASS FILLED, UL94V-0, COLOR: BLACK
TERMINAL/FORKLOCK: COPPER ALLOY
MYLAR: ADHENSIVE MYLAR 4.5MM X 15.5MM
- TERMINAL PLATING:
CONTACT AREA: GOLD PLATED
SOLDERING TAIL: 1.27 MICRONS MINIMUM TIN PLATED
UNDER PLATE: NICKEL 1.27 MICRONS MINIMUM NICKEL PLATED
- FORKLOCK PLATING:
1.27 MICRONS MINIMUM TIN PLATED OVERALL 1.27 MICRONS MINIMUM NICKEL UNDER-PLATED
- PACKAGING SPECIFICATION REFER TO TABLE
- PRODUCT SPECIFICATION REFER TO PS-67490-001
- MATING PART: 67538, 67489



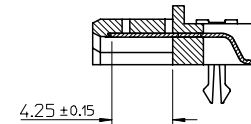
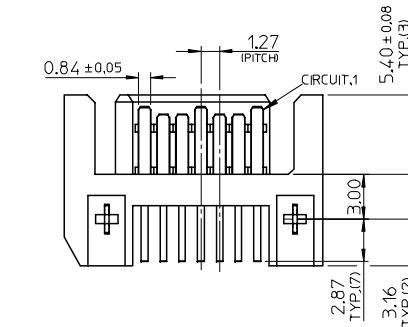
SECTION B-B
SCALE 3:1



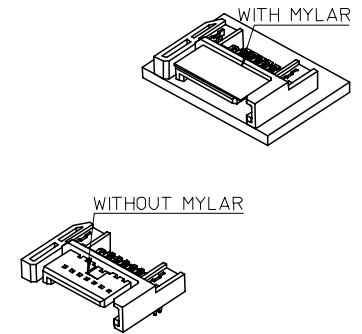
SECTION A-A
SCALE 3:1



RECOMMEND P.C.B. LAYOUT (t=1.6)



SECTION C-C
SCALE 3:1



OBSOLESCE PART EC NO: SH2006-0566 DRWN: BCHENZ6 2006/05/29 CHKD: GRATE MA 2006/05/29 APPR: INCHEM 2006/05/30	QUALITY SYMBOLS ▽=0 ▽=0	GENERAL TOLERANCES (UNLESS SPECIFIED)		DIMENSION STYLE MM ONLY		SCALE 4:1	DESIGN UNITS METRIC	THIRD ANGLE PROJECTION		
			mm	INCH	DRAWN BY RICHARD	DATE '01/08/08	TITLE SATA SYSTEM PLUG R/A STANDARD TYPE			
		4 PLACES ± ---	± ---	± ---	CHECKED BY VINCENT	DATE '01/08/08				
		3 PLACES ± ---	± ---	± ---	APPROVED BY ERICK	DATE '01/08/08	MOLEX INCORPORATED			
			ANGULAR ± 3°		MATERIAL NO. SEE TABLE	DOCUMENT NO. SD-67490-002	SHEET NO. 1 OF 1			
		DRAFT WHERE APPLICABLE MUST REMAIN WITHIN DIMENSIONS		THIS DRAWING CONTAINS INFORMATION THAT IS PROPRIETARY TO MOLEX INCORPORATED AND SHOULD NOT BE USED WITHOUT WRITTEN PERMISSION						