

**PLEASE CHECK WWW.MOLEX.COM FOR LATEST PART INFORMATION**

**Part Number:** [0945490301](#)  
**Status:** **Active**  
**Description:** New Cayman Terminal

**Documents:**

[Drawing \(PDF\)](#) [RoHS Certificate of Compliance \(PDF\)](#)  
[Product Specification PS-94549-001 \(PDF\)](#)

**General**

Product Family Crimp Terminals  
 Series [94549](#)  
 Crimp Quality Equipment Yes  
 Product Name N/A

**Physical**

Durability (mating cycles max) 100  
 Gender Female  
 Material - Metal Brass  
 Material - Plating Mating Tin  
 Material - Plating Termination Tin  
 Packaging Type Reel  
 Plating min: Mating (µin) 120.00  
 Plating min: Mating (µm) 3.000  
 Plating min: Termination (µin) 120.00  
 Plating min: Termination (µm) 3.00  
 Termination Interface: Style Crimp or Compression  
 Wire Insulation Diameter N/A  
 Wire Size AWG 16+18, 18+18, 20+20  
 Wire Size mm<sup>2</sup> 0.5 + 0.5, 1.3+1.3

**Electrical**

Current - Maximum per Contact 10A  
 Voltage - Maximum 250V

**Material Info**

**Reference - Drawing Numbers**

Product Specification PS-94549-001  
 Sales Drawing SD-94549-001

**EU RoHS**

**ELV and RoHS  
 Compliant**  
**REACH SVHC  
 Contains SVHC: No**  
**Halogen-Free  
 Status**

**China RoHS**



**Not Reviewed**

**Need more information on product  
 environmental compliance?**

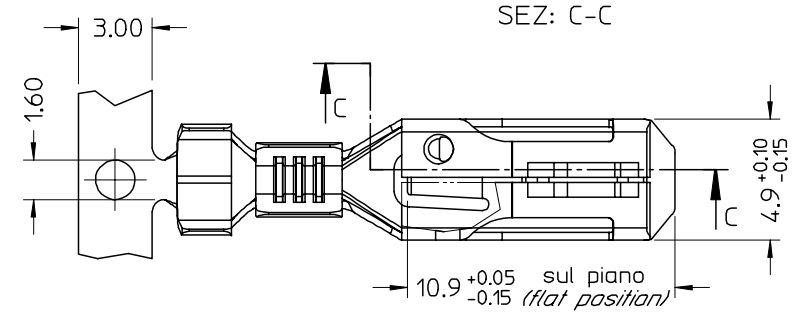
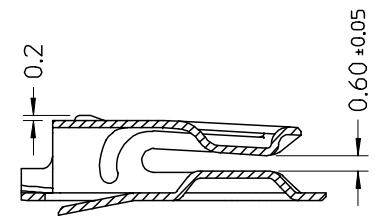
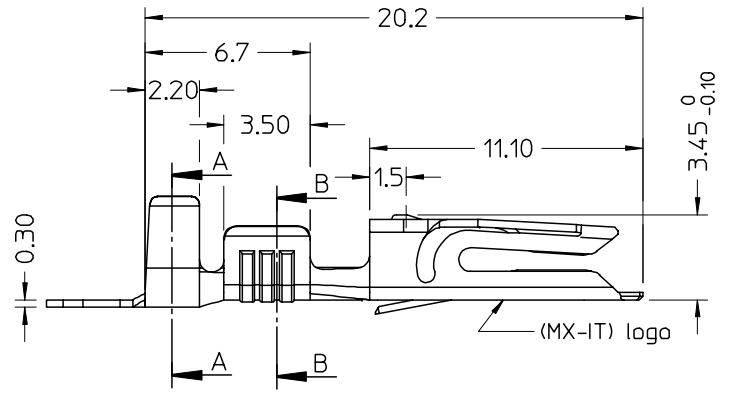
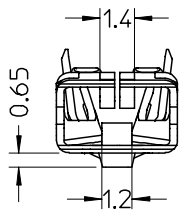
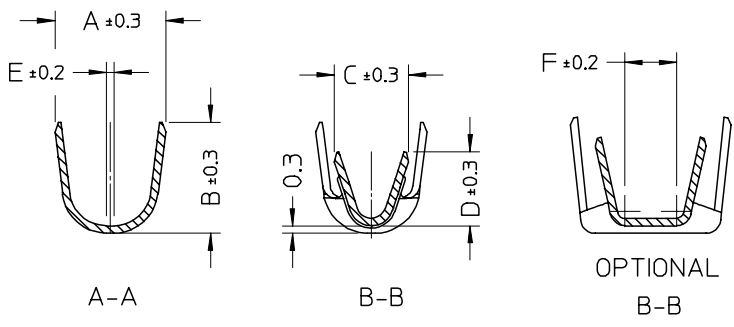
Email [productcompliance@molex.com](mailto:productcompliance@molex.com)  
 For a multiple part number RoHS Certificate of  
 Compliance, [click here](#)

Please visit the [Contact Us](#) section for any  
 non-product compliance questions.

**Search Parts in this Series**

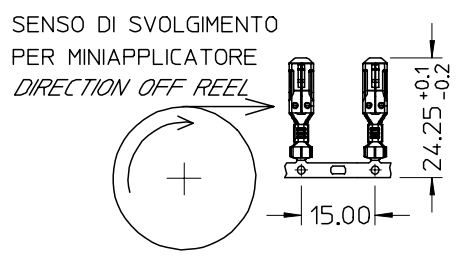
[94549Series](#)

10 9 8 7 6 5 4 3 2 1




CODICE P/N	FINITURA PLATING	MATERIALE MATERIAL	SEZ. RAME WIRE RANGE	DIMENSIONI						PZ./BOBINA PCS/REEL	S.P.Q.
				A	B	C	D	E	F		
94549-0100	GREGGIO/ PLAIN	OTTONE BRASS	0.5 - 1.3	4.5	4.5	3.0	3.0	0.3	/	3000	15000
94549-0101	STAGNATO/ TIN										
94549-0300	GREGGIO/ PLAIN	OTTONE BRASS	0.5 + 0.5 1.3 + 1.3	6.2	4.7	4.2	3.6	4.5	2.1	3000	15000
94549-0301	STAGNATO/ TIN										

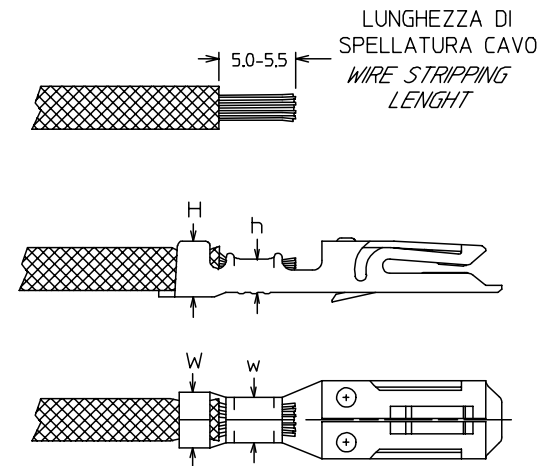
CONFEZIONE:  
N°5 BOBINE CON CARTA  
INTERMEDIA PER BOX  
PACKING:  
N°5 REELS WITH INTERLEAF  
PAPER/BOX



EC NO: Z2005-0068 DRWN:FGOTTARD2004/11/05 CHKD:RSANDANO 2004/11/11 APPR:GZUIN 2004/11/12	QUALITY SYMBOLS ▽ = 0 ▽ = 0	GENERAL TOLERANCES (UNLESS SPECIFIED)		SCALE 5:1	DESIGN UNITS METRIC	FIRST ANGLE PROJECTION	REVISE ON CAD ONLY
		4 PLACES ± --- ± --- 3 PLACES ± --- ± --- 2 PLACES ± 0.10 ± --- 1 PLACE ± 0.2 ± ---	DIMENSION STYLE MM ONLY	TITLE TERMINALE NUOVO CAIMANO NEW CAYMAN TERMINAL			
		DRAFT WHERE APPLICABLE MUST REMAIN WITHIN DIMENSIONS		DRAWN BY FGOTTARD 2002/10/18 CHECKED BY MTESTAGU 2002/10/18 APPROVED BY GZUIN 2002/10/18	DATE 2002/10/18 DATE 2002/10/18 DATE 2002/10/18	MATERIAL NO. SEE CHART DOCUMENT NO. SD-94549-001 SHEET NO. 1 OF 1	
		THIS DRAWING CONTAINS INFORMATION THAT IS PROPRIETARY TO MOLEX INCORPORATED AND SHOULD NOT BE USED WITHOUT WRITTEN PERMISSION					

9 8 7 6 5 4 3 2 1

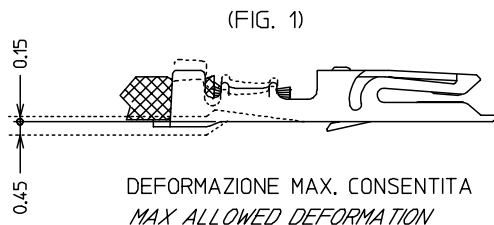
AWG UL STYLE	CODICE TERMINAL P/N	CRIMP VALUES - MOLEX APPLICATORS				TWO WIRES ADVISED SETTING	MINIMUM PULL OFF FORCE (N)
		COPPER		INSULATION			
		h [mm]	w ±0.05 [mm]	H [mm]	W ±0.05 [mm]		
20	94549-010X	1.30-1.40	2.25	3.00-3.10	3.65	/	80
18		1.35-1.45		3.05-3.15			120
16		1.45-1.55		3.15-3.25			200
20+20	94549-030X	1.30-1.40	3.60	3.35-3.50	5.15		70
20+18		1.35-1.45		3.40-3.55			110
18+18		1.40-1.50		3.45-3.60			110
16+20		1.45-1.55		3.50-3.65			160
16+18		1.50-1.60		3.60-3.75			160
16+16		1.60-1.70		3.65-3.80			160



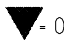
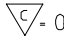
LE DIMENSIONI DEL TERMINALE 94549-030X SONO PROVVISORIE  
DA CONFERMARE DOPO PROVA PRATICA  
*THE DIMENSIONS OF THE 94549-030X TERMINAL ARE TEMPORARY;  
TO CONFIRM AFTER TESTING.*

NOTE:

- DEFORMAZIONE MAX CONSENTITA (VEDI FIG.1)
- NELLE AGGRAFFATURE CON DUE CAVI SORMONTATI E DI SEZIONE DIFFERENTE BISOGNA TENERE IL CAVO A SEZIONE PIÙ PICCOLA AL DI SOTTO DI QUELLO A SEZIONE PIU' GRANDE (FIG.2)
- MAX ALLOWED DEFORMATION (SEE FIG.1)
- WHEN CRIMPING 2 WIRES WITH DIFFERENT SIZES, THE SMALLER MUST BE ON THE BOTTOM (FIG.2)



Std.Descr: "HNF FEM MINI TERM DOUBLE WIRE CRIMP"

EC NO: Z2005-0068 DRWN:FGOTTARD2004/11/05 CHKD:RSANDANO 2004/11/11 APPR:GZUIN 2004/11/12	QUALITY SYMBOLS  = 0  = 0	GENERAL TOLERANCES (UNLESS SPECIFIED)		SCALE 5:1	DESIGN UNITS METRIC	FIRST ANGLE PROJECTION	REVISE ON CAD ONLY	
					DIMENSION STYLE MM ONLY	TITLE		
		4 PLACES ± --- ± ---			DRAWN BY DATE	TERMINALE NUOVO CAIMANO NEW CAYMAN TERMINAL		
		3 PLACES ± --- ± ---			FGOTTARD 2002/10/18			
		2 PLACES ± 0.10 ± ---		CHECKED BY DATE	MOLEX INCORPORATED			
		1 PLACE ± 0.2 ± ---		MTESTAGU 2002/10/18				
		ANGULAR ± 2 °		APPROVED BY DATE	MATERIAL NO.	DOCUMENT NO.	SHEET NO.	
		DRAFT WHERE APPLICABLE MUST REMAIN WITHIN DIMENSIONS		GZUIN 2002/10/18	SEE CHART	SD-94549-001	1 OF 1	
THIS DRAWING CONTAINS INFORMATION THAT IS PROPRIETARY TO MOLEX INCORPORATED AND SHOULD NOT BE USED WITHOUT WRITTEN PERMISSION								A3