

TITLE: XFMR TRANSMIT, T1



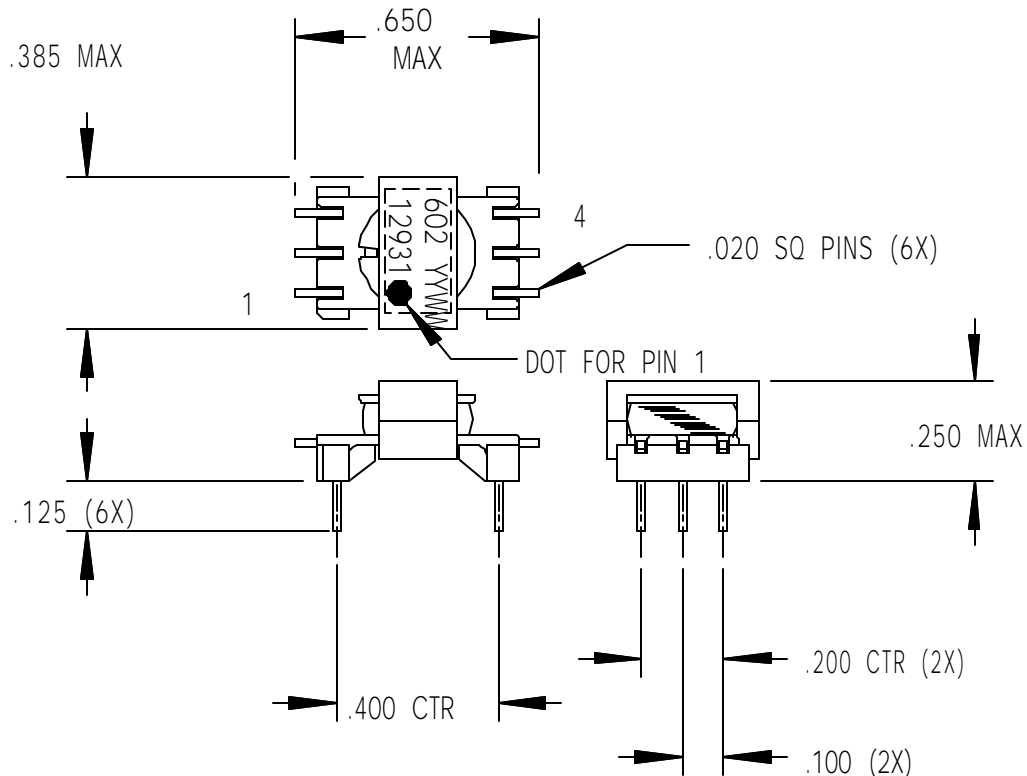
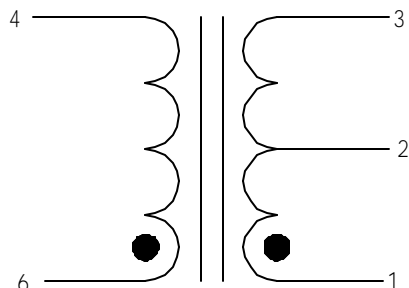
1000 PARKERS LAKE ROAD  
WAYZATA, MN 55391  
(952) 475-1173

PART NUMBER 22627  
REV E PAGE 1 END

SPECIFICATIONS:

1. TEMPERATURE CLASS: 105° C
2. INDUCTANCE:  
(6 - 4) @ 300 KHz, 0.1 V > 1.5 MHz
3. LEAKAGE INDUCTANCE:  
(6 - 4) @ 300 KHz, (1 - 3) SHORTED < 0.7 μ Hy
4. INTERWINDING CAPACITANCE:  
(1 - 3) TO (4 - 6) @ 300 KHz < 60 pf
5. TURNS RATIO:  
(4 - 6) : (1 - 3) = 1 : 1.17 CT ± 2 %
6. DC RESISTANCE:  
(1 - 3) = 0.7 • NOM.  
(4 - 6) = 0.5 • NOM.
7. HIPOT: 1500 VAC

THIS TRANSFORMER IS DESIGNED TO OPERATE WITH CRYSTAL CS61574/35A IN T1 TRANSMIT APPLICATIONS WITH 100 •



SCHOTT CORPORATION  
1000 PARKERS LAKE ROAD  
MINNEAPOLIS, MN 55391

FORM 116

CAGE CODE 80023

SIZE A

CUST. NAME

SCHOTT CATALOG

CUST. PART NO.

CUST. REV

EIA CODE 602

TOLERANCES  
UNLESS OTHERWISE NOTED\*

2 PLACE  
+ .01

3 PLACE  
+ .005

ANGLE  
+ - °

SHEET  
1 of 2

DWG NO.

D67129310\22627

REV E