

PLEASE CHECK WWW.MOLEX.COM FOR LATEST PART INFORMATION

Part Number: [0430451022](#)
Status: **Active**
Overview: [microfit_30](#)
Description: 3.00mm (.118") Pitch Micro-Fit 3.0™ Header, Surface Mount Compatible, Dual Row, Right Angle, with Press-fit Metal Retention Clip, 10 Circuits, 0.38µm (15µ") Gold (Au) Selective Plating, Glow Wire Compatible

Documents:

[3D Model](#) [Product Specification PS-43045 \(PDF\)](#)
[Drawing \(PDF\)](#) [RoHS Certificate of Compliance \(PDF\)](#)

Agency Certification

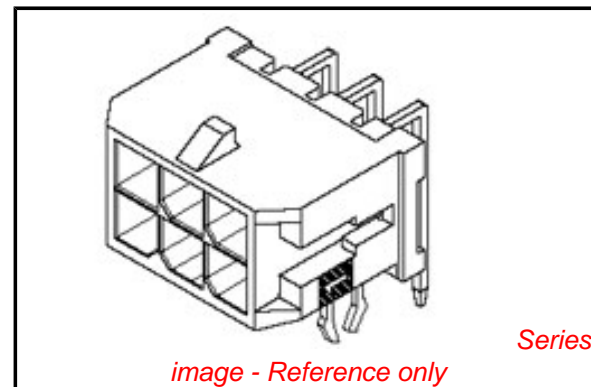
| | |
|-----|-----------|
| CSA | LR19980 |
| TUV | R72081037 |
| UL | E29179 |

General

| | |
|-----------------------------|---|
| Product Family | PCB Headers |
| Series | 43045 |
| Application | Wire-to-Board |
| Comments | High Temperature Square Pin Solder Type |
| Overview | microfit_30 |
| Product Literature Order No | USA-106 |
| Product Name | Micro-Fit 3.0™ |

Physical

| | |
|--------------------------------|--------------------------------|
| Breakaway | No |
| Circuits (Loaded) | 10 |
| Circuits (maximum) | 10 |
| Color - Resin | Black |
| Durability (mating cycles max) | 30 |
| Flammability | 94V-0 |
| Glow-Wire Compliant | Yes |
| Mated Height (in) | 0.396 In |
| Mated Height (mm) | 10.06 mm |
| Material - Metal | Brass |
| Material - Plating Mating | Gold |
| Material - Plating Termination | Tin |
| Material - Resin | High Temperature Thermoplastic |
| Number of Rows | 2 |
| Orientation | Right Angle |
| PCB Locator | Yes |
| PCB Retention | Yes |
| PCB Thickness Recommended (in) | 0.062 In |
| PCB Thickness Recommended (mm) | 1.60 mm |
| Packaging Type | Tray |
| Pitch - Mating Interface (in) | 0.118 In |
| Pitch - Mating Interface (mm) | 3.00 mm |
| Plating min: Mating (µin) | 15 |
| Plating min: Mating (µm) | 0.38 |
| Plating min: Termination (µin) | 100 |
| Plating min: Termination (µm) | 2.50 |
| Polarized to PCB | Yes |
| Shrouded | Fully |
| Stackable | No |
| Surface Mount Compatible (SMC) | Yes |



EU RoHS

ELV and RoHS Compliant
REACH SVHC Contains SVHC: No
Halogen-Free Status

China RoHS



Need more information on product environmental compliance?

Email productcompliance@molex.com
 For a multiple part number RoHS Certificate of Compliance, [click here](#)

Please visit the [Contact Us](#) section for any non-product compliance questions.

Search Parts in this Series

[43045Series](#)

Mates With

[43025](#)

Temperature Range - Operating -40°C to +105°C
Termination Interface: Style Through Hole

Electrical

Current - Maximum per Contact 5A
Voltage - Maximum 250V

Solder Process Data

Duration at Max. Process Temperature (seconds) 30
Lead-free Process Capability SMC & Wave Capable (TH only)
Max. Cycles at Max. Process Temperature 3
Process Temperature max. C 260

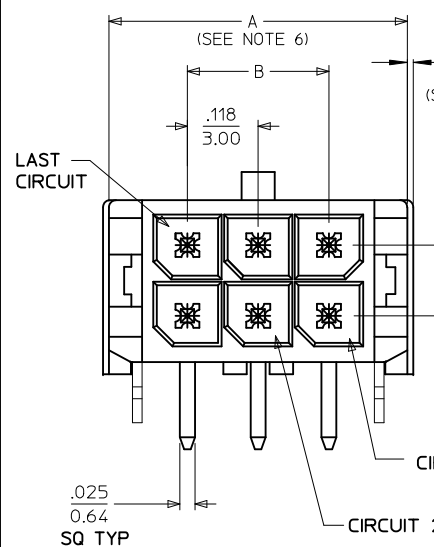
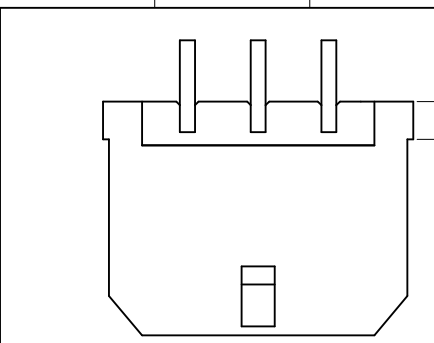
Material Info

Reference - Drawing Numbers

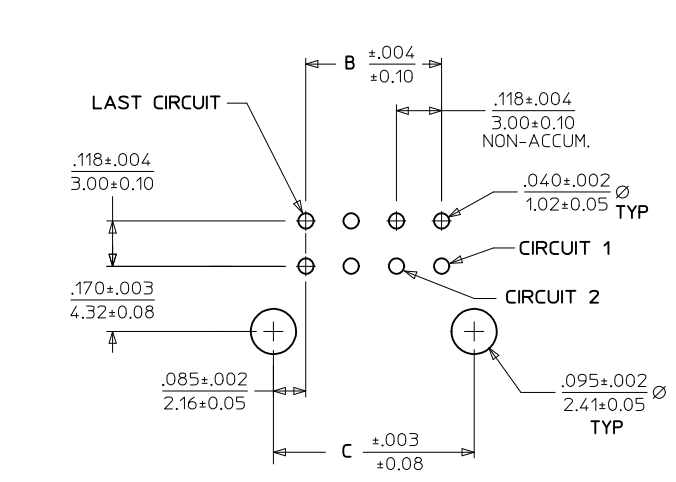
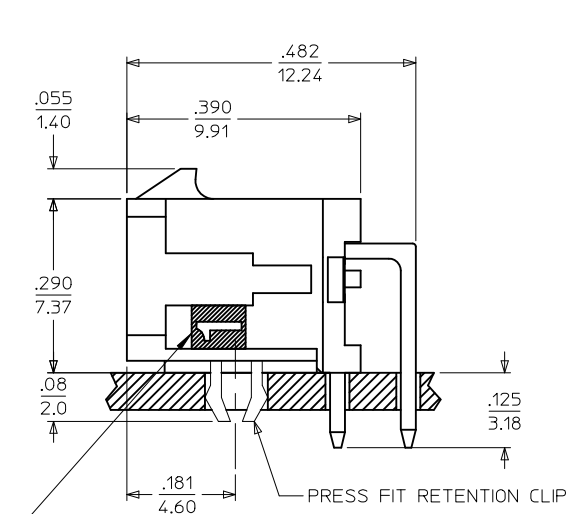
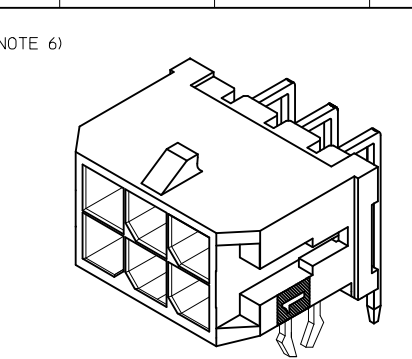
Packaging Specification PK-70873-0313
Product Specification PS-43045, RPS-43045-003, RPS-43045-004
Sales Drawing SD-43045-008
Test Summary TS-43045-001, TS-43045-002

This document was generated on 05/24/2010

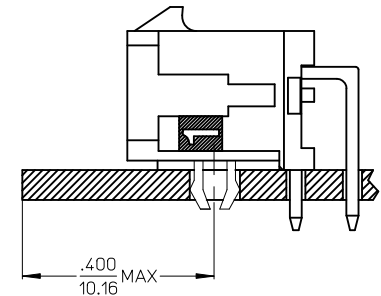
PLEASE CHECK WWW.MOLEX.COM FOR LATEST PART INFORMATION



- NOTES:**
- HOUSING MATERIAL: GLASS FILLED LIQUID CRYSTAL POLYMER UL94V-0, COLOR: BLACK
TERMINAL MATERIAL: BRASS ALLOY
 - FINISH: A = .000100/(0.00254) MIN. TIN OVER
.000050/(0.00127) MIN. NICKEL PLATE.
B = .000015/(0.00038) MIN. SELECT GOLD IN CONTACT AREA,
.000100/(0.00254) MIN. SELECT MATTE TIN ON SOLDER TAILS,
BOTH OVER .000050/(0.00127) MIN. NICKEL PLATE.
C = .000030/(0.00076) MIN. SELECT GOLD IN CONTACT AREA,
.000100/(0.00254) MIN. SELECT MATTE TIN ON SOLDER TAILS,
BOTH OVER .000050/(0.00127) MIN. NICKEL PLATE.
 - PRODUCT SPECIFICATION: PS-43045
 - TRAY PACKAGED: SEE MOLEX DRAWING PK-70873-0313
 - MATES WITH MICRO FIT (3.0) RECEPTACLE SERIES 43025
 - .010/0.25 OFFSETS ARE PRESENT ON ALL PARTS MANUFACTURED AFTER 11/1/2007, AND ON PARTS PRIOR TO 11/1/2007 THAT CONTAIN A GREEN DOT ON THE PRIMARY SHIPPING CARTON LABEL.
 - TO AVOID INTERFERENCE BETWEEN RECEPTACLE AND PCB, HEADER MUST BE PLACED WITHIN .400/(10.16) MAX. FROM EDGE OF PCB, AS SHOWN IN LOCATION DETAIL.
 - THIS PART CONFORMS TO CLASS B REQUIREMENTS OF COSMETIC SPECIFICATION PS-45499-002.



PCB LAYOUT: COMPONENT SIDE
RECOMMEND PCB THICKNESS: .062/157



LOCATION DETAIL
SEE NOTE #7

| CKTS | A (SEE NOTE 6) | | |
|------|----------------|----------------|----------------|
| | B | C | |
| 02 | .262 6.65 | NA | .169 4.30 |
| 04 | .380 9.65 | .118 3.00 | .287 7.30 |
| 06 | .498 12.65 | .236 6.00 | .405 10.30 |
| 08 | .616 15.65 | .354 9.00 | .524 13.30 |
| 10 | .734 18.65 | .472 12.00 | .642 16.30 |
| 12 | .852 21.65 | .591 15.00 | .760 19.30 |
| 14 | .970 24.65 | .709 18.00 | .878 22.30 |
| 16 | 1.088 27.65 | .827 21.00 | .996 25.30 |
| 18 | 1.206 30.65 | .945 24.00 | 1.114 28.30 |
| 20 | 1.325 33.65 | 1.063 27.00 | 1.252 31.30 |
| 22 | 1.443 36.65 | 1.181 30.00 | 1.350 34.30 |
| 24 | 1.561 39.65 | 1.299 33.00 | 1.469 37.30 |

| CKTS | FINISH A | FINISH B | FINISH C |
|------|--------------|--------------|--------------|
| | MATERIAL NO: | MATERIAL NO: | MATERIAL NO: |
| 02 | 43045-0221 | 43045-0222 | 43045-0223 |
| 04 | 43045-0421 | 43045-0422 | 43045-0423 |
| 06 | 43045-0621 | 43045-0622 | 43045-0623 |
| 08 | 43045-0821 | 43045-0822 | 43045-0823 |
| 10 | 43045-1021 | 43045-1022 | 43045-1023 |
| 12 | 43045-1221 | 43045-1222 | 43045-1223 |
| 14 | 43045-1421 | 43045-1422 | 43045-1423 |
| 16 | 43045-1621 | 43045-1622 | 43045-1623 |
| 18 | 43045-1821 | 43045-1822 | 43045-1823 |
| 20 | 43045-2021 | 43045-2022 | 43045-2023 |
| 22 | 43045-2221 | 43045-2222 | 43045-2223 |
| 24 | 43045-2421 | 43045-2422 | 43045-2423 |

| CORRECTED .482/12.24 EC NO: UCP2010-1324 DRAWN:TBRENS 2009/11/25 CHKD:SSOUSEK 2009/11/25 APPR:FSMLTH 2009/11/30 | QUALITY SYMBOLS $\nabla = 0$ $\nabla = 0$ $\nabla = 0$ | GENERAL TOLERANCES (UNLESS SPECIFIED) | | DIMENSION STYLE IN/MM | | SCALE --- | DESIGN UNITS METRIC | THIRD ANGLE PROJECTION | | | | | | | | | | | |
|---|---|---|-------|--------------------------|---------------------------|----------------|------------------------------|------------------------|--------|-----------------|--------|----------------|-------|--------------------|--|--------------------|--|--|--|
| | | <table border="1"> <tr> <th>mm</th> <th>INCH</th> </tr> <tr> <td>4 PLACES ± ---</td> <td>± ---</td> </tr> <tr> <td>3 PLACES ± ---</td> <td>± .010</td> </tr> <tr> <td>2 PLACES ± 0.25</td> <td>± .014</td> </tr> <tr> <td>1 PLACE ± 0.36</td> <td>± ---</td> </tr> </table> | | mm | INCH | 4 PLACES ± --- | ± --- | 3 PLACES ± --- | ± .010 | 2 PLACES ± 0.25 | ± .014 | 1 PLACE ± 0.36 | ± --- | DRAWN BY SAMIEC | | DATE 2000/03/15 | TITLE MICRO FIT (3.0) DUAL ROW RIGHT ANGLE THRU HOLE HEADER W/CLIPS | | |
| | | mm | INCH | | | | | | | | | | | | | | | | |
| | | 4 PLACES ± --- | ± --- | | | | | | | | | | | | | | | | |
| 3 PLACES ± --- | ± .010 | | | | | | | | | | | | | | | | | | |
| 2 PLACES ± 0.25 | ± .014 | | | | | | | | | | | | | | | | | | |
| 1 PLACE ± 0.36 | ± --- | | | | | | | | | | | | | | | | | | |
| ANGULAR ± 1/2° | | CHECKED BY MUELLER | | DATE 2000/03/15 | MOLEX INCORPORATED | | | | | | | | | | | | | | |
| DRAFT WHERE APPLICABLE MUST REMAIN WITHIN DIMENSIONS | | APPROVED BY EDGLEY | | DATE 2000/03/15 | MATERIAL NO. SEE CHART | | DOCUMENT NO. SD-43045-008 | SHEET NO. 1 OF 1 | | | | | | | | | | | |

THIS DRAWING CONTAINS INFORMATION THAT IS PROPRIETARY TO MOLEX INCORPORATED AND SHOULD NOT BE USED WITHOUT WRITTEN PERMISSION