

**PLEASE CHECK WWW.MOLEX.COM FOR LATEST PART INFORMATION**

**Part Number:** [0559171430](#)  
**Status:** **Active**  
**Overview:** microclasp  
**Description:** 2.00mm (.079") Pitch MicroClasp™ Wire-to-Board Header, Dual Row, Vertical, 14 Circuits, without PCB Locator

**Documents:**

[3D Model](#) [Product Specification PS-51353-010 \(PDF\)](#)  
[Drawing \(PDF\)](#) [RoHS Certificate of Compliance \(PDF\)](#)  
[Product Specification PS-51353-003 \(PDF\)](#)

**Agency Certification**

UL E29179

**General**

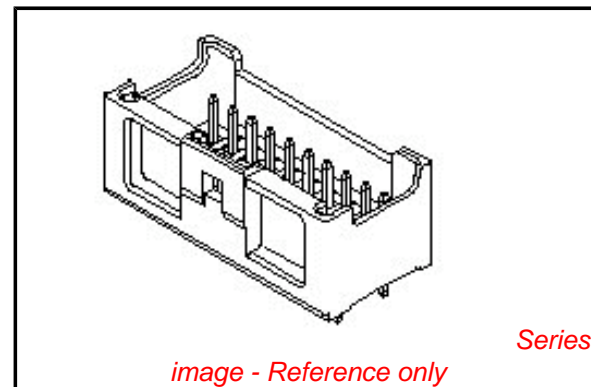
Product Family PCB Headers  
 Series [55917](#)  
 Application Wire-to-Board  
 Overview [microclasp](#)  
 Product Name MicroClasp™

**Physical**

Breakaway No  
 Circuits (Loaded) 14  
 Circuits (maximum) 14  
 Color - Resin Natural  
 Durability (mating cycles max) 30  
 First Mate / Last Break No  
 Flammability 94V-0  
 Glow-Wire Compliant No  
 Guide to Mating Part No  
 Keying to Mating Part None  
 Lock to Mating Part Yes  
 Material - Plating Mating Tin  
 Material - Plating Termination Tin  
 Material - Resin Polyester  
 Number of Rows 2  
 Orientation Vertical  
 PC Tail Length (in) 0.126 In  
 PC Tail Length (mm) 3.20 mm  
 PCB Locator No  
 PCB Retention Yes  
 PCB Thickness Recommended (in) 0.062 In  
 PCB Thickness Recommended (mm) 1.60 mm  
 Packaging Type Tray  
 Pitch - Mating Interface (in) 0.079 In  
 Pitch - Mating Interface (mm) 2.00 mm  
 Shrouded Fully  
 Stackable No  
 Surface Mount Compatible (SMC) No  
 Temperature Range - Operating -25°C to +85°C  
 Termination Interface: Style Through Hole

**Electrical**

Current - Maximum per Contact 3A  
 Voltage - Maximum 250V



**EU RoHS**

**ELV and RoHS Compliant**  
**REACH SVHC Contains SVHC: No**  
**Halogen-Free Status**  
**Not Reviewed**

**China RoHS**



**Need more information on product environmental compliance?**

Email [productcompliance@molex.com](mailto:productcompliance@molex.com)  
 For a multiple part number RoHS Certificate of Compliance, [click here](#)

Please visit the [Contact Us](#) section for any non-product compliance questions.

**Search Parts in this Series**

[55917Series](#)

**Mates With**

[51353 MicroClasp™ Wire-to-Board Receptacle Housing](#)

## Material Info

### Reference - Drawing Numbers

Packaging Specification

Product Specification

SPK-55917-001

PS-51353-003, PS-51353-010, RPS-501844-001,  
RPS-51353-005, RPS-51353-008, RPS-51353-009,  
RPS-51353-014, RPS-51353-016, RPS-51353-018,  
RPS-51353-019, RPS-51353-020, RPS-51353-021,  
RPS-51353-023, RPS-51353-024, RPS-51353-025,  
RPS-51353-026, RPS-51353-028, RPS-51353-030

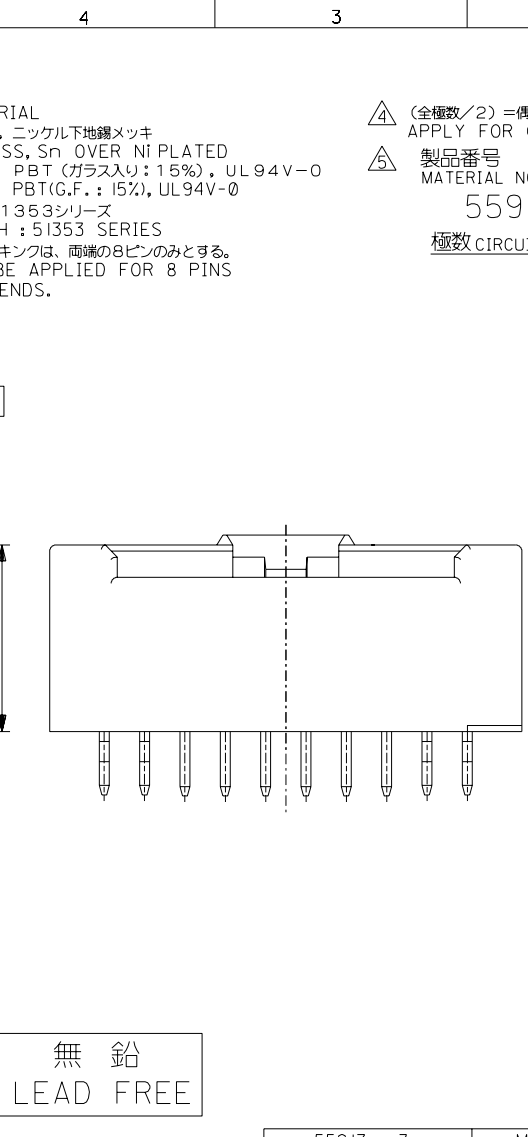
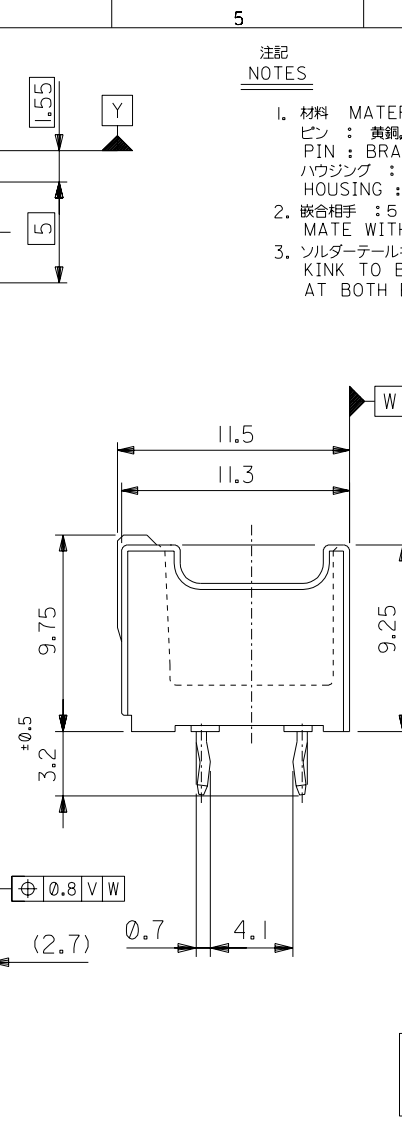
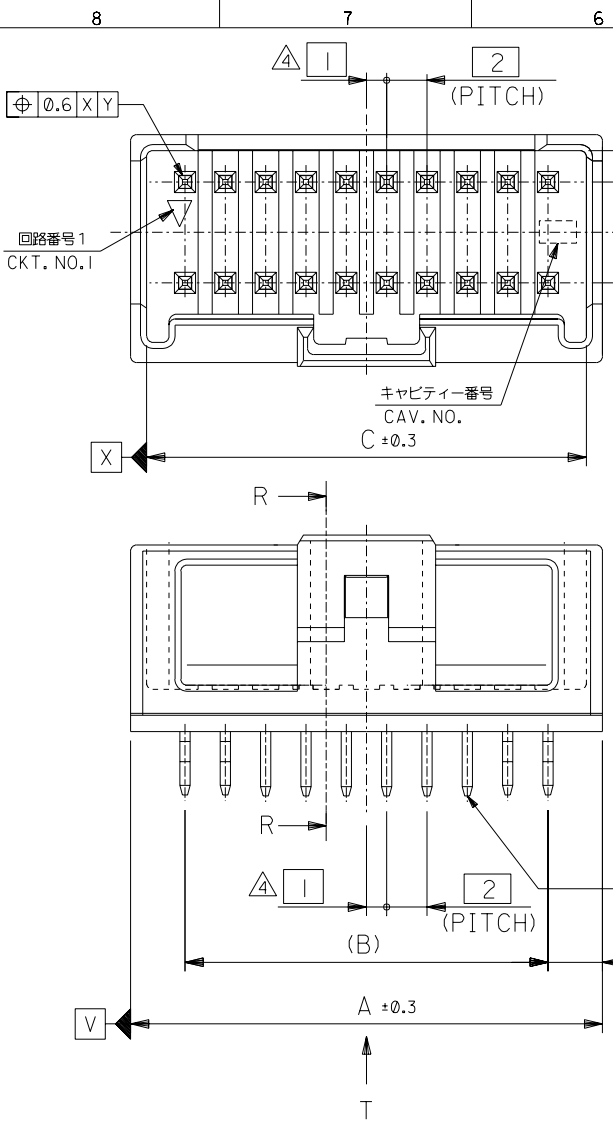
Sales Drawing

SD-55917-005

This document was generated on 06/07/2010

**PLEASE CHECK [WWW.MOLEX.COM](http://WWW.MOLEX.COM) FOR LATEST PART INFORMATION**

DO NOT SCALE DRAWING



注記 NOTES

- 材料 MATERIAL  
 PIN : 黄銅, ニッケル下地鍍メッキ  
 PIN : BRASS, Sn OVER Ni PLATED  
 ハウジング : PBT (ガラス入り: 15%), UL94V-0  
 HOUSING : PBT(G.F.: 15%), UL94V-0
- 嵌合相手 : 51353シリーズ  
 MATE WITH : 51353 SERIES
- ソルダーテールキンは、両端の8ピンのみとする。  
 KINK TO BE APPLIED FOR 8 PINS AT BOTH ENDS.

△ (全極数/2) = 偶数の場合に適用。  
 APPLY FOR (CIRCUIT/2)=EVEN

△ 製品番号 MATERIAL NO.  
 55917-\*\*\*3\*

極数 CIRCUIT SIZE 色 COLOR

ナチュラル (白) NATURAL (WHITE)	0
黒 BLACK	1
赤 RED	2
黄 YELLOW	3
青 BLUE	4
桃 PINK	5
緑 GREEN	6
茶 BROWN	7
橙 ORANGE	8
紫 VIOLET	9

41.8	38	43.4	55917-403*	40
39.8	36	41.4	-383*	38
37.8	34	39.4	-363*	36
35.8	32	37.4	-343*	34
33.8	30	35.4	-323*	32
31.8	28	33.4	-303*	30
29.8	26	31.4	-283*	28
27.8	24	29.4	-263*	26
25.8	22	27.4	-243*	24
23.8	20	25.4	-223*	22
21.8	18	23.4	-203*	20
19.8	16	21.4	-183*	18
17.8	14	19.4	-163*	16
15.8	12	17.4	-143*	14
13.8	10	15.4	-123*	12
11.8	8	13.4	-103*	10
9.8	6	11.4	55917-083*	8
C	B	A	MATERIAL NO.	CKT.

無鉛  
LEAD FREE

REVISED E63NO. J2003-3290 DRWN:N.IITO '03/06/26 CHK: K.ASAKAWA APPR:T.YAMAGUCHI	REVISED E62NO. J2003-3134 DRWN:N.IITO '03/06/19 CHK: K.ASAKAWA APPR:T.YAMAGUCHI	REVISED E61NO. J2002-2307 DRWN:N.IITO '02/03/18 CHK: K.ASAKAWA APPR:T.YAMAGUCHI	RELEASED E60NO. J2002-1826 DRWN:N.IITO '02/02/28 CHK: K.ASAKAWA APPR:T.YAMAGUCHI	MATERIAL 材料 注記参照 SEE NOTES
FINISH 仕上げ //	WIRE RANGE 適用線径範囲 //	INS. RANGE 被覆外径 //	GENERAL TOLERANCES: (UNLESS SPECIFIED) 一般公差	
10 UNDER 未満	±0.2		SCALE 1:1	DESIGN UNITS 単位 mm INCH
10 OVER 30 UNDER 未満	±0.25		MODEL NO. 55917-***3*	DIMENSIONS: DIMENSIONS: mm INCH mm ONLY
30 OVER 以上	±0.3		ANGLE 角度	3°

SCALE 1:1	DESIGN UNITS 単位 mm INCH	MODEL NO. 55917-***3*	DIMENSIONS: DIMENSIONS: mm INCH mm ONLY	SHT 1 OF 2	REV
DRAWN BY & DATE N.IITO '02/02/28	CHECKED BY & DATE K.ASAKAWA '03/06/26	APPROVED BY & DATE T.YAMAGUCHI '03/06/26	CAD FILENAME 55917005.S01	MATERIAL NO. SEE CHART	DRAWING NO. SD-55917-005
TITLE: 2.0mm W+-B DUAL CONN DIP PLUG HOUSING ASS'Y ST (WITHOUT BOSS)			MOLEX INCORPORATED		
*2888 DRAWING CONTAINS INFORMATION THAT IS PROPRIETARY TO MOLEX INCORPORATED AND SHOULD NOT BE USED WITHOUT WRITTEN PERMISSION.			SIZE B		

