

**PLEASE CHECK WWW.MOLEX.COM FOR LATEST PART INFORMATION**

**Part Number:** [0955512667](#)  
**Status:** **Active**  
**Description:** Modular Jack, High Profile Top Entry Shunted Jack with Ribs, Tray

**Documents:**

[3D Model](#) [Product Specification PS-95522-002 \(PDF\)](#)  
[Drawing \(PDF\)](#) [RoHS Certificate of Compliance \(PDF\)](#)

**General**

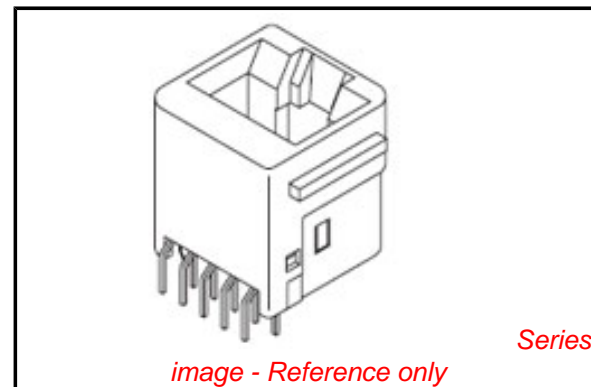
Product Family	Modular Jacks/Plugs
Series	95551
Component Type	PCB Jack
Magnetic	No
Performance Category	3
Power over Ethernet (PoE)	N/A
Product Name	N/A

**Physical**

Boot Color	N/A
Color - Resin	Black
Durability (mating cycles max)	500
Inverted / Top Latch	No
Keying to Mating Part	None
Lightpipes/LEDs	None
Material - Metal	Phosphor Bronze
Material - Plating Mating	Gold
Material - Plating Termination	Tin
Material - Resin	High Temperature Thermoplastic
Orientation	Vertical (Top Entry)
PCB Locator	Yes
PCB Retention	Yes
PCB Thickness Recommended (in)	0.062 In
PCB Thickness Recommended (mm)	1.57 mm
Packaging Type	Tray
Panel Mount	Yes
Pitch - Mating Interface (in)	0.040 In
Pitch - Mating Interface (mm)	1.02 mm
Pitch - Term. Interface (in)	0.050 In
Pitch - Term. Interface (mm)	1.27 mm
Plating min: Mating (µin)	50
Plating min: Mating (µm)	1.25
Plating min: Termination (µin)	100
Plating min: Termination (µm)	2.5
Ports	1
Positions / Loaded Contacts	6/6
Surface Mount Compatible (SMC)	No
Temperature Range - Operating	-40°C to +80°C
Termination Interface: Style	Through Hole
Waterproof / Dustproof	No
Wire/Cable Type	N/A

**Electrical**

Current - Maximum per Contact	1.5A
Grounding to PCB	No
Grounding to Panel	None
Shielded	No



**EU RoHS**

**ELV and RoHS  
Compliant**  
**REACH SVHC  
Contains SVHC: No**  
**Halogen-Free  
Status**

**China RoHS**



**Not Reviewed**

**Need more information on product  
environmental compliance?**

Email [productcompliance@molex.com](mailto:productcompliance@molex.com)  
For a multiple part number RoHS Certificate of  
Compliance, [click here](#)

Please visit the [Contact Us](#) section for any  
non-product compliance questions.

**Search Parts in this Series**  
95551Series

Voltage - Maximum

150V AC (RMS)

**Material Info**

**Reference - Drawing Numbers**

Packaging Specification

PK-95051-001

Product Specification

PS-95522-002

Sales Drawing

SD-95551-001

This document was generated on 06/07/2010

**PLEASE CHECK [WWW.MOLEX.COM](http://WWW.MOLEX.COM) FOR LATEST PART INFORMATION**

NOTES:

1 - MATERIAL:

- HOUSING : LCP 30% GLASS FILLED, UL94 V-0.  
COLOUR: BLACK
- TERMINAL: BRASS.  
POST PLATE (0.00127)/.000050 MIN. GOLD IN CONTACT  
AREA, (0.00500 TO 0.00200)/.000200 TO .000080  
TIN ONLY IN TAIL AREA, BOTH OVER  
(0.00127)/.000050 MIN. NICKEL OVERALL.

2 - RECOMMENDED PRINTED CIRCUIT BOARD THICKNESS: (1.57)/.062

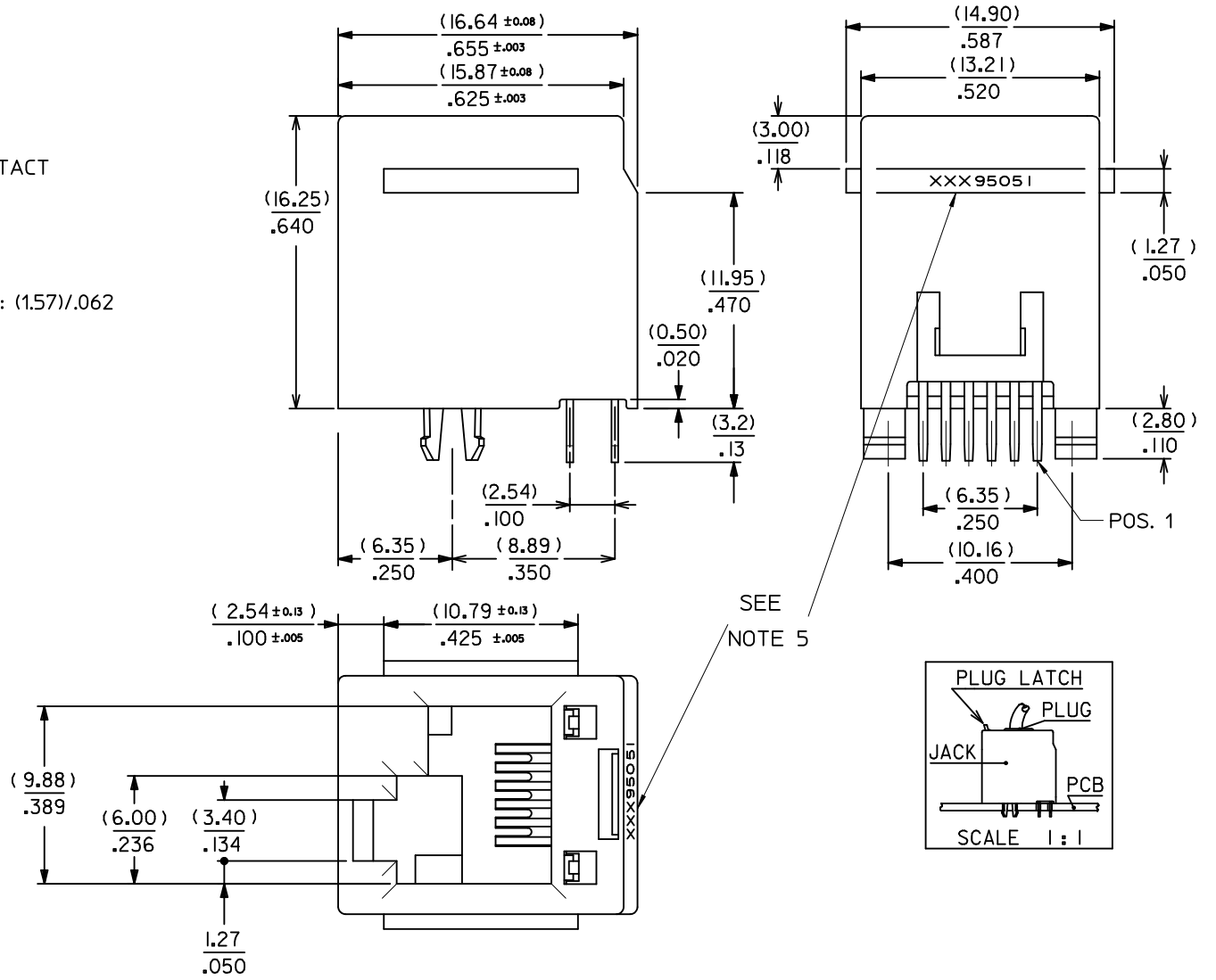
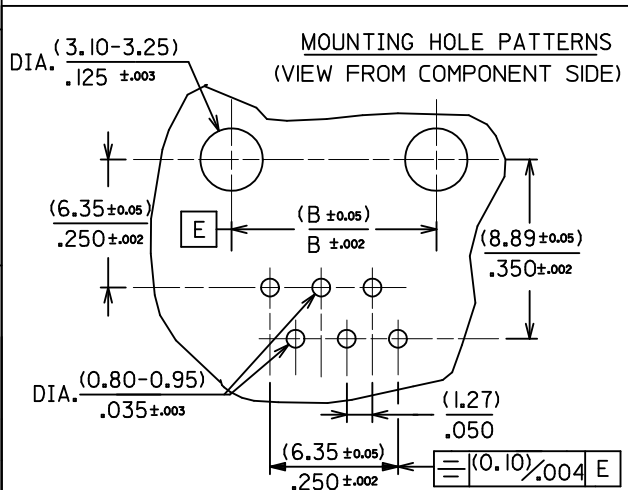
3 - FOR USE WITH UNCENTERED LATCH PLUG.

4 - PRODUCT SPECIFICATION: PS-95522-002

5 - LOGO MAY BE MXF, MG OR MXI

6 - PACKAGING SPECIFICATION:  
TRAY - PK-95051-001, SHT 1.  
TUBE - PK-95022, SHT 2.

PART NUMBER	PACKAGING TYPE
95551-2667	TRAY
95551-2677	TUBE



<p>NEW PART ADDED</p> <p>EC NO: E2010-0359</p> <p>DRWING: DBYRNES 2010/04/17</p> <p>CHKD: CB 89/06/12</p> <p>APPR: EFOLAN 2010/04/30</p>	<p>QUALITY SYMBOLS</p> <p>▽=0</p> <p>◻=0</p>	<p>GENERAL TOLERANCES (UNLESS SPECIFIED)</p>		<p>DIMENSION STYLE</p> <p>MM/IN</p>	<p>SCALE</p> <p>4:1</p>	<p>DESIGN UNITS</p> <p>METRIC</p>	<p>THIRD ANGLE PROJECTION</p>	
		<p>4 PLACES ± --- ± .010</p>	<p>3 PLACES ± --- ± .014</p>	<p>DRAWN BY</p> <p>PD</p>	<p>DATE</p> <p>89/06/12</p>	<p>TITLE</p> <p>HIGH PROFILE TOP ENTRY JACK</p>		
		<p>2 PLACES ± 0.25 ± ---</p>	<p>1 PLACE ± 0.35 ± ---</p>	<p>CHECKED BY</p> <p>CB</p>	<p>DATE</p> <p>89/06/12</p>	<p>MATERIAL NO.</p> <p>EFOLAN 2010/04/30</p>		
		<p>ANGULAR ± 1/2°</p>		<p>APPROVED BY</p> <p>EFOLAN 2010/04/30</p>		<p>MOLEX INCORPORATED</p>		
<p>DRAFT WHERE APPLICABLE MUST REMAIN WITHIN DIMENSIONS</p>		<p>SIZE</p> <p>A3</p>		<p>SEE CHART</p>		<p>DOCUMENT NO.</p> <p>SD-95551-001</p>	<p>SHEET NO.</p> <p>1 OF 1</p>	
<p>THIS DRAWING CONTAINS INFORMATION THAT IS PROPRIETARY TO MOLEX INCORPORATED AND SHOULD NOT BE USED WITHOUT WRITTEN PERMISSION</p>								