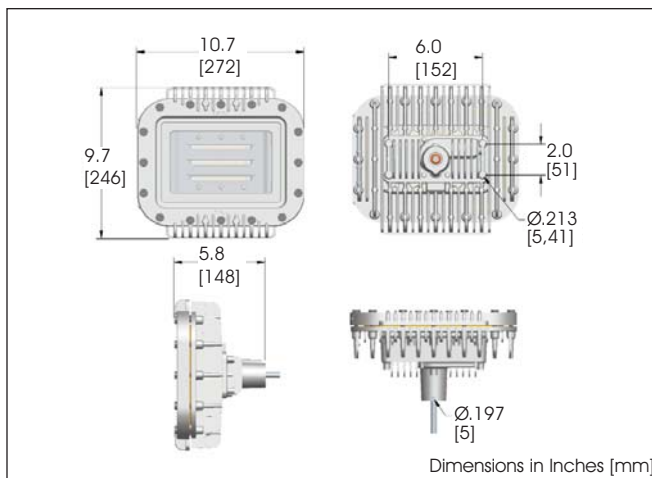




Patent Pending

## SafeSite® Series LED Area Light



### Certifications & Ratings:

- ▷ Class I, Div 1, Groups C, D
- ▷ Class II, Div 1, Groups E, F, G
- ▷ UL 844
- ▷ CSA 22.2 No. 137-M1981
- ▷ IP66 (pending)
- ▷ NEMA 4X (pending)

### Features & Benefits:

- ▷ 5 year warranty
- ▷ 70% lumen maintenance over 60,000 operating hours
- ▷ Low power consumption
- ▷ Maintenance free
- ▷ Instant on/off operation
- ▷ Universal input (100-277 VAC), 50/60Hz
- ▷ Superior color rendition index compared to HPS, LPS, MV
- ▷ Mercury free
- ▷ No UV or IR
- ▷ Resistant to shock and vibration
- ▷ Temperature compensation technology for longer life

Temperature Ratings	
Ambient Temperature Range T4a Temperature Code	Ambient Temperature Range T5 Temperature Code
-40F to +149F (-40C to +65C)	-40F to +113F (-40C to +45C)

### Ordering Codes:

Part Number	Lumens	Lumens Per Watt	Color
HZC8C2N	5,500	79	Cool White
HZC8N2N	5,500	79	Neutral White

### Application:

The SafeSite® Series LED area light represents the future of energy efficient facility illumination for hazardous locations worldwide. The Class I, Div 1 LED area lighting fixture consumes at least 50% energy compared to traditional HID light sources, while reducing maintenance and carbon emissions. This light incorporates both cutting edge LED technology along with proprietary optics to achieve area lighting comparable with other traditional light sources.

Whether your application is in a refinery, oil platform, chemical plant or any other Class I, Division 1 application, this fixture offers improved performance across the board.

### Mechanical Information

**Fixture Weight:** 14.5 lb (6.58 kg)  
**Mounting:** (1) Threaded 3/4" NPT rear

### Electrical specifications

**Operating Voltage:** 100-277VAC, 50/60 Hz  
**Power Consumption:** 70W  
**Operating Temp:** -40°F to +149°F (-40°C to +65°C)  
**Harmonics:** IEC 61000-3-2  
**Surge / Lightning Protection:** 1 kV line to line  
 2 kV line to ground  
**THD:** < 15%  
**Power Factor:** > 0.95  
**Power supply equipped with inline fuse**

### Construction:

**Body:** Powder Coated Aluminum  
**Finish:** Polyester / epoxy powder coat grey  
 Standard RAL 7040  
**Lens:** Glass

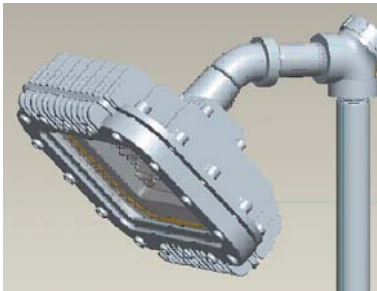
### Photometric Information

**CRI (nom):** > 70  
**CCT (nom):** 6,000K (cool white)  
 4,500K (neutral white)  
**Optics:** 180° forward throw  
**IES Files:** Available upon request

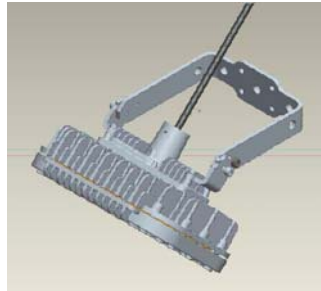
# SafeSite® Series LED Area Light

## Options and Accessories

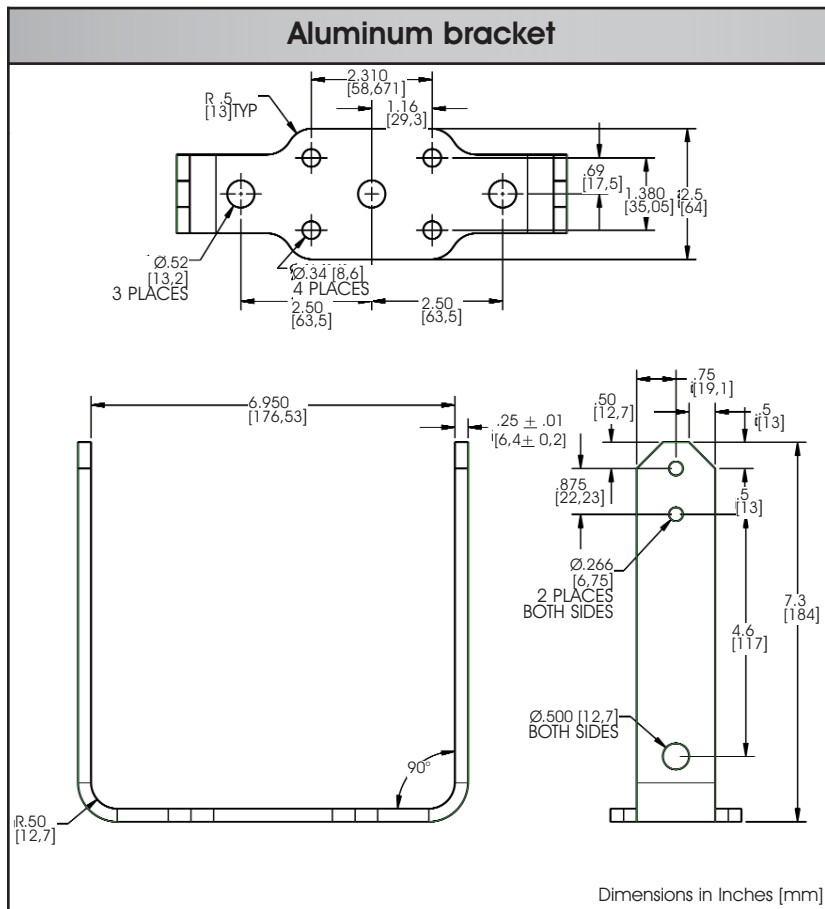
Conduit Mount



Aluminum Bracket - HZXW2



Aluminum Bracket with Stanchion Mount - HZXW4



Dialight reserves the right to make changes at any time in order to supply the best product possible.

The most current version of this document will always be available at:

[www.dialight.com/Assets/Brochures\\_And\\_Catalogs/Illumination/MDTFHXSALX001.pdf](http://www.dialight.com/Assets/Brochures_And_Catalogs/Illumination/MDTFHXSALX001.pdf)

MDTFHXSALX001\_A