

AM TUNER FOR CAR AUDIO

FEATURES

- Compact 3-Gang AM Electronic Tuner.
- Upper Side Band Super Heterodyne System.
- Receiving Frequency : MW Band 520~1720kHz.
- Operation Voltage : 7~10V.

MAXIMUM RATING (Ta=25°C)

CHARACTERISTIC	SYMBOL	RATING	UNIT
Power Supply Voltage	V _{CC}	10	V
Tuning Voltage	V _T	8	V
LO/DX Voltage	V _{AGC}	6	V
Operating Temperature Range	T _{opr}	-20~70	°C
Storage Temperature Range	T _{stg}	-30~80	°C

TUNING VOLTAGE

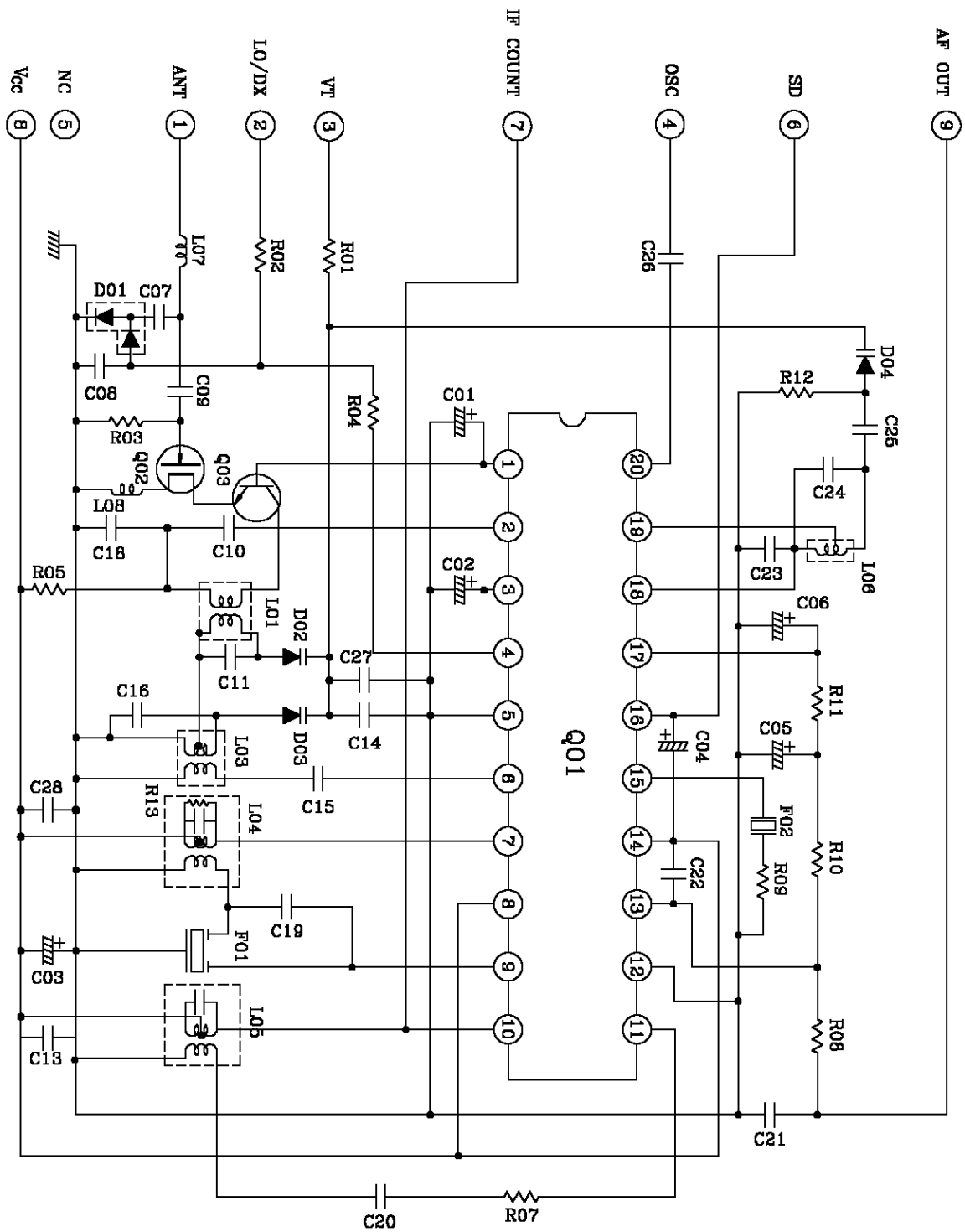
RECEIVING Freq. [kHz]	V.T [V]	Permissible	RECEIVING Freq. [kHz]	V.T [V]	Permissible
520	1.3	MIN. 1.0	1200	5.5	
600	2.1		1300	5.8	
700	2.9		1400	6.2	
800	3.6		1500	6.5	
900	4.2		1600	6.8	
1000	4.7		1700	7.1	
1100	5.1		1720	7.2	

KCA370UH

ELECTRICAL CHARACTERISTICS

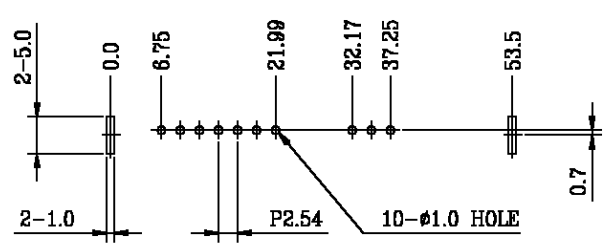
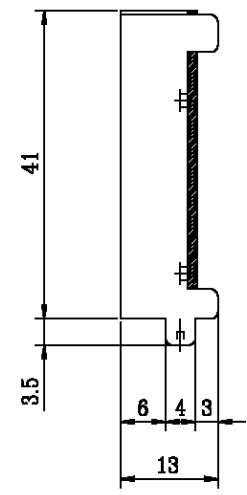
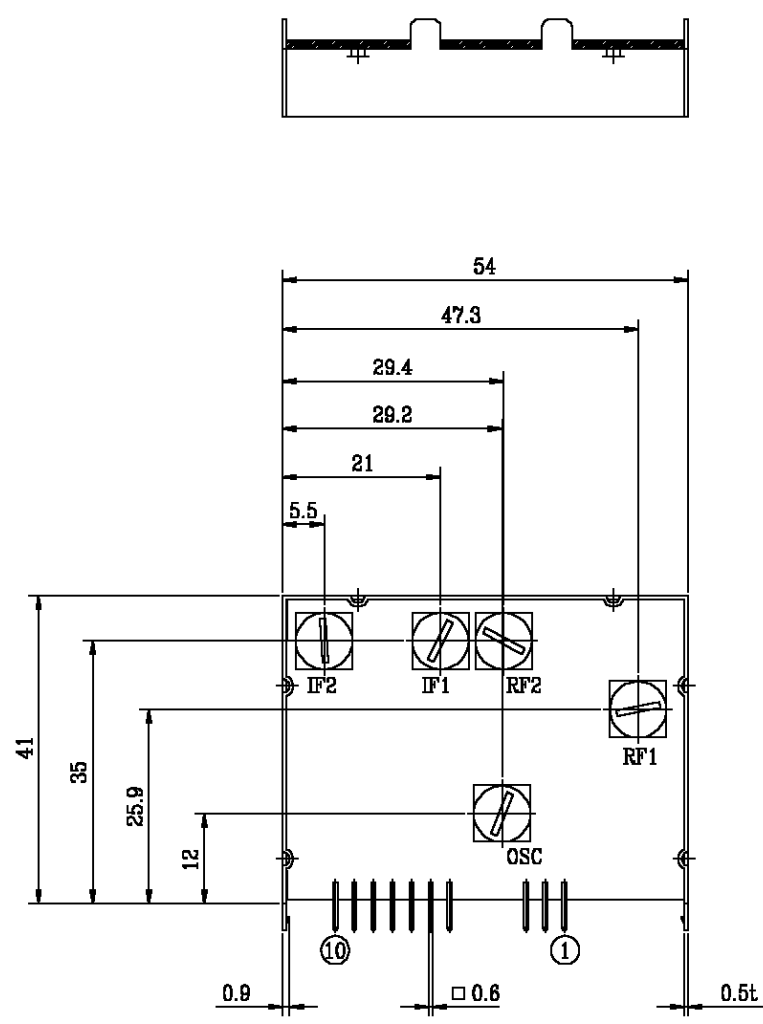
(Unless Otherwise Specified : $V_{CC}=8.2V$, $V_i=74dB\mu V$, $f_i=1000kHz$, $Mod=30\%$, $f_m=400Hz$)

CHARACTERISTIC	TEST CONDITION (610, 1000, 1400kHz)	MIN.	TYP.	MAX.	UNIT (EMF)	
Maximum Sensitivity	Detected Output $20mV_{rms}$	-	20	25	$dB\mu V$	
Maximum Sensitivity Balance	520~1720kHz	-	3	6	dB	
Usable Sensitivity	S/N=20dB	-	26	30	$dB\mu V$	
S/N Ratio		40	50	-	dB	
Image Rejection	at RF 1400kHz	50	55	-	dB	
IF Rejection	at RF 610kHz	55	-	-	dB	
2 IF Rejecton	S/N at Input Level Signal $74dB\mu V$	25	30	-	dB	
Band Width	Detected Output -6dB at Usable Sensitivity	5	7	10	kHz	
Selectivity	at RF 1000kHz $\pm 10kHz$	40	-	-	dB	
AGC Effect	Input $74dB\mu V$, Reduce to AGC Level 10dB	40	45	-	dB	
AF Output Voltage		120	150	180	mV	
OSC Output Voltage	1k Ω Load(rms)	200	250	-	mV	
LO/DX Reduction	LO/DX Terminal 5(V)	15	20	25	dB	
THD	Mod=30%	-	0.4	1.0	%	
Over Modulation THD	Mod=80%	-	0.4	2.0	%	
Strong Signal Input THD	120 $dB\mu V$, 400Hz, 30% Mod	-	0.4	1.0	%	
Fidelity	EXT. Modulation 400Hz 30% AF Output 0 dB Point	100Hz	-3.0	0	+3.0	dB
		4kHz	-5	-10	-15	
OSC Vcc Drift	at 8.2(V) $\pm 10\%$	-	± 1.0	± 5.0	kHz	
OSC Temperature Drift	Temp. Cycle $20^{\circ}C \pm 40^{\circ}C$	-	20	30	kHz	



					PAGE :					
NO	PART'S NAME		MATERIAL		SIZE	TREATMENT	REMARK			
MODEL NO		SCALE	UNIT	DATE		DRAW NO	KCA370.DWG			
KCA370		1/1	mm	1999. 01. 26						
		REFERENCE				THIRD ANGLE DRAW	DRAW	DESIGN	CHECK	APPRO
		MODULE DEVELOPMENT GROUP								

* TERMINALS	
1	A N T
2	LO/DX
3	VT
4	N.C
5	O S C
6	N.C
7	SD
8	IF OUT
9	VCC
10	AF OUT



HOLE DIMENSIONS (TOP VIEW) *TOLERANCE : ±0.1

* TOLERANCE : ±0.5

OUT LINE							
NO	PART'S NEME	MATERIAL	SIZE	TREATMENT	REMARK		
MODEL NO	SCALE	UNIT	DATE	DRAW NO			
KCA370	1/1	mm	1999. 03. 26				
KEC	REFERENCE			DRAW	DESIGN	CHECK	APPRO
	MODULE DEVELOPMENT GROUP						

