

8-bit Proprietary Microcontroller

CMOS

F²MC-8L MB89490 Series

MB89498/F499/PV490

■ DESCRIPTION

The MB89490 series has been developed as a general-purpose version of the F²MC*-8L family consisting of proprietary 8-bit single-chip microcontrollers.

In addition to a compact instruction set, the general-purpose, single-chip microcontroller contains a variety of peripheral functions such as 21-bit timebase timer, watch prescaler, PWM timer, 8/16-bit timer/counter, remote receiver circuit, LCD controller/driver, external interrupt 0 (edge), external interrupt 1 (level), 10-bit A/D converter, UART/SIO, SIO, I²C and watchdog timer reset.

The MB89490 series is designed suitable for compact disc/radio receiver controller as well as in a wide range of applications for consumer product.

* : "F²MC", an abbreviation for FUJITSU Flexible Microcontroller, is a registered trademark of FUJITSU Ltd.

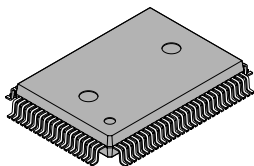
■ FEATURES

- Package
QFP, LQFP package for MB89F499, MB89498
MQFP package for MB89PV490

(Continued)

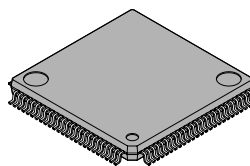
■ PACKAGES

100-pin Plastic QFP



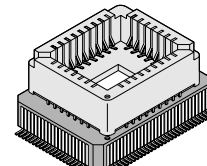
(FTP-100P-M06)

100-pin Plastic LQFP



(FTP-100P-M05)

100-pin Ceramic MQFP



(MQP-100C-P01)

MB89490 Series

(Continued)

- High speed operating capability at low voltage
- Minimum execution time : 0.32 μ s/12.5 MHz
- F²MC-8L family CPU core

Instruction set optimized for controllers

Multiplication and division instructions
16-bit arithmetic operations
Branch instructions by test bit
Bit manipulation instructions, etc.

- PLL circuit for sub-clock
 - Embedded for PLL clock multiplication circuit for sub-clock
 - Operating clock (PLL for sub-clock) can be selected from no multiplication or 4 times of the sub-clock oscillation frequency.
- 6 timers
 - PWM timer \times 2
 - 8/16-bit timer/counter \times 2
 - 21-bit timebase timer
 - Watch prescaler
- External interrupt
 - Edge detection (selectable edge) : 8 channels
 - Low level interrupt (wake-up function) : 8 channels
- 10-bit A/D converter (8 channels)
 - 10-bit successive approximation type
- UART/SIO
 - Synchronous/asynchronous data transfer capability
- SIO
 - Switching of synchronous data transfer capability
- LCD controller/driver
 - Max 32 segments output \times 4 commons
- I²C interface circuit
- Remote receiver circuit
- Low-power consumption mode
 - Stop mode (oscillation stops so as to minimize the current consumption.)
 - Sleep mode (CPU stops so as to reduce the current consumption to approx. 1/3 of normal.)
 - Watch mode (operation except the watch prescaler stops so as to reduce the power consumption to an extremely low level.)
 - Sub-clock mode
- Watchdog timer reset
- I/O ports : Max 66 channels

MB89490 Series

■ PRODUCT LINEUP

Part number Parameter	MB89498	MB89F499	MB89PV490
Classification	Mass production products (mask ROM product)	FLASH	Piggy-back (For evaluation or development)
ROM size	48 K × 8-bit (internal ROM)	60 K × 8-bit (internal FLASH)	60 K × 8-bit (external ROM) *1
RAM size	2 K × 8-bit	2 K × 8-bit	2 K × 8-bit
CPU functions	Number of instructions : 136 Instruction bit length : 8-bit Instruction length : 1 to 3 bytes Data bit length : 1-bit, 8-bit, 16-bit Minimum instruction execution time : 0.32 μs/12.5 MHz Minimum interrupt processing time : 2.88 μs/12.5 MHz		
Ports	General-purpose I/O ports (CMOS) : 56 pins Input ports (CMOS) : 2 pins N-channel open drain I/O ports : 8 pins Total : 66 pins		
21-bit timebase timer	Interrupt generation cycle (0.66 ms, 2.6 ms, 21.0 ms, 335.5 ms) at 12.5 MHz		
Watchdog timer	Reset generation cycle (167.8 ms to 335.5 ms) at 12.5 MHz		
PWM timer 0, 1	8-bit reload timer operation (supports square wave output and operating clock period : 1 t _{inst} , 8 t _{inst} , 16 t _{inst} , 64 t _{inst}) 8-bit accuracy PWM operation		
8/16-bit timer/counter 00, 01	Can be operated either as a 2-channel 8-bit timer/counter (timer 00 and timer 01, each with its own independent operating clock) , or as one 16-bit timer/counter. In timer 00 or 16-bit timer/counter operation, event counter operation by external clock input and square wave output capability		
8/16-bit timer/counter 10, 11	Can be operated either as a 2-channel 8-bit timer/counter (timer 10 and timer 11, each with its own independent operating clock) , or as one 16-bit timer/counter. In timer 10-bit or 16-bit timer/counter operation, event counter operation by external clock input and square wave output capability		
External interrupt 0 (edge)	8 independent channels (selectable edge, interrupt vector, request flag)		
External interrupt 1 (level)	8 channels (low level interrupt)		
A/D converter	10-bit accuracy × 8 channels A/D conversion function (conversion time : 30 t _{inst}) Supports repeated activation by internal clock		
LCD controller/driver	Common output : 4 (Max) Segment output : 32 (Max) LCD driving power (bias) pins : 3 LCD display RAM size : 32 × 4 bits		

(Continued)

MB89490 Series

(Continued)

Part number Parameter	MB89498	MB89F499	MB89PV490
UART/SIO	Synchronous/asynchronous data transfer capability (Max baud rate : 97.656 Kbps at 12.5 MHz) (7-bit and 8-bit with parity bit; 8-bit and 9-bit without parity bit)		
SIO	8-bit serial I/O with LSB first/MSB first selectability 1 clock selectable from 4 operation clock (1 external shift clock and 3 internal shift clock : 0.64 μ s, 2.56 μ s, 10.24 μ s at 12.5 MHz)		
I ² C*2	1 channel (Use a 2-wire protocol to communicate with other device)		
Remote receiver circuit	Selectable maximum noise width removal Reversible input polarity		
Standby mode	Sleep mode, stop mode, watch mode and sub-clock mode		
Process	CMOS		
Operating voltage	2.2 V to 3.6 V	2.7 V to 3.6 V	2.7 V to 3.6 V

*1 : Use MBM27C512 as the external ROM.

*2 : I²C is complied to Philips I²C specification.

■ PACKAGE AND CORRESPONDING PRODUCTS

Part number Parameter	MB89498	MB89F499	MB89PV490
FPT-100P-M06	○	○	×
FPT-100P-M05	○	○	×
MQP-100C-P01	×	×	○

○ : Available

× : Not available

■ DIFFERENCES AMONG PRODUCTS

1. Memory Size

Before evaluating using the piggy-back product, verify its differences from the product that will be actually used. Take particular care on the following point : The stack area is set at the upper limit of the RAM.

2. Current Consumption

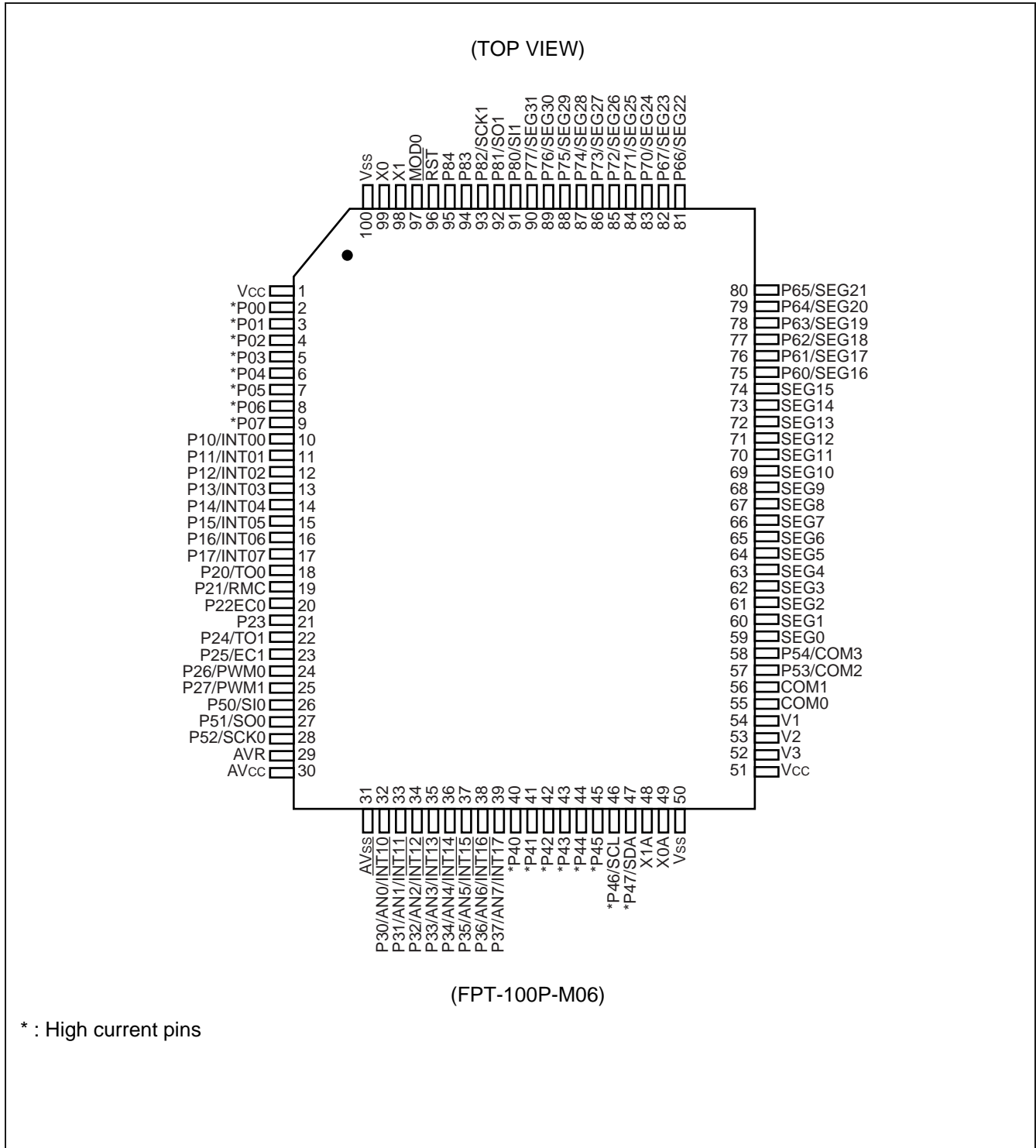
- For the MB89PV490, add the current consumed by the EPROM mounted in the piggy-back socket.
- When operating at low speed, the current consumed by the FLASH product is greater than that for the mask ROM product. However, the current consumption is roughly the same in sleep and stop mode.
- For more information, see “■ ELECTRICAL CHARACTERISTICS.”

3. Oscillation Stabilization Wait Time after Power-on Reset

- For MB89PV490 and MB89F499, the power-on stabilization wait time cannot be selected after power-on reset.
- For MB89498, the power-on stabilization wait time can be selected after power-on reset.
- For more information, please refer to “■ MASK OPTIONS”.

MB89490 Series

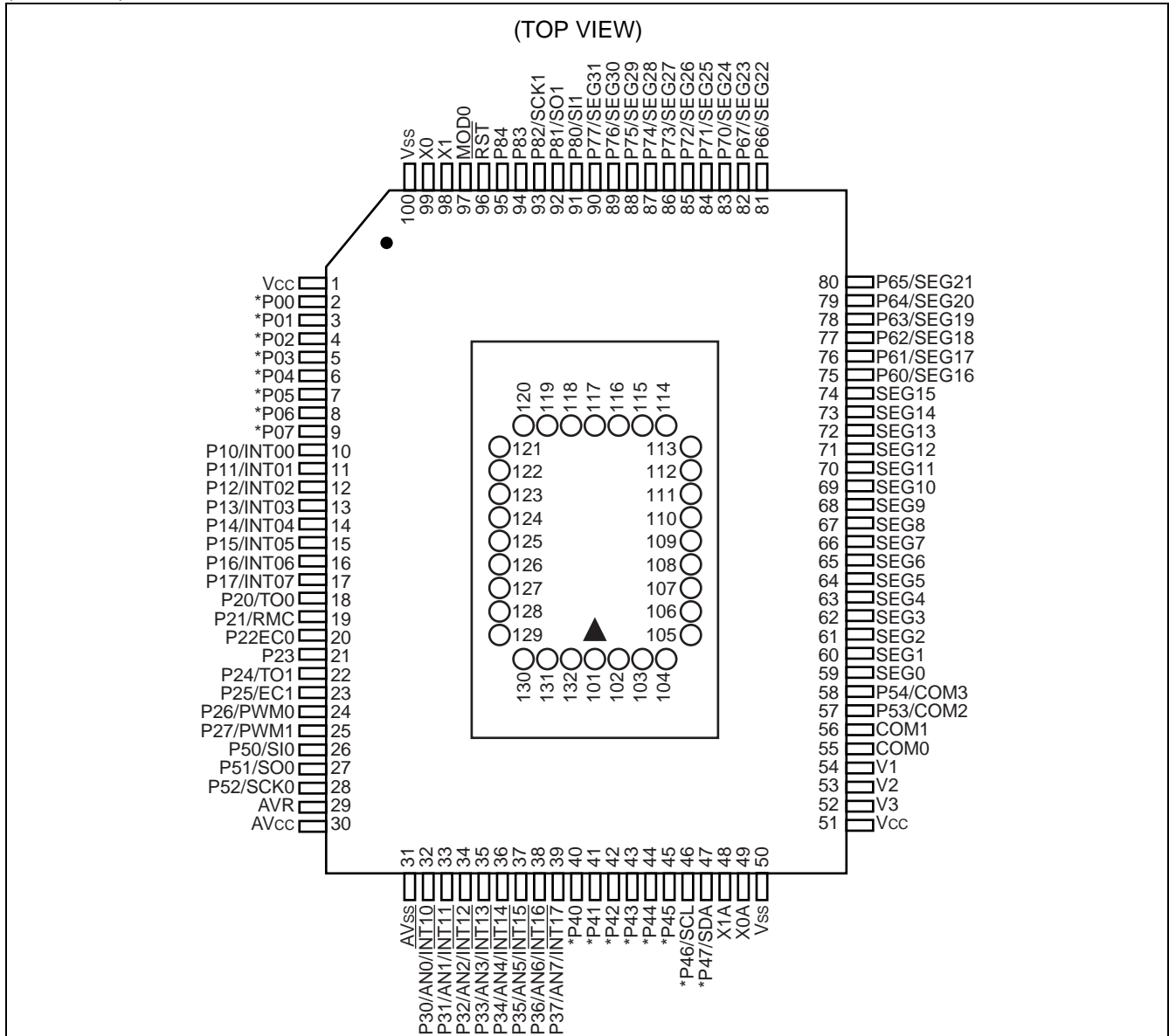
■ PIN ASSIGNMENTS



(Continued)

MB89490 Series

(Continued)



* : High current pins

Pin assignment on package top (MB89PV490 only)

Pin no.	Pin name	Pin no.	Pin name	Pin no.	Pin name	Pin no.	Pin name	Pin no.	Pin name
101	N.C.	108	A3	115	O3	122	O8	129	A8
102	A15	109	A2	116	V _{ss}	123	\overline{CE}	130	A13
103	A12	110	A1	117	N.C.	124	A10	131	A14
104	A7	111	A0	118	O4	125	\overline{OE}	132	V _{cc}
105	A6	112	N.C.	119	O5	126	N.C.		
106	A5	113	O1	120	O6	127	A11		
107	A4	114	O2	121	O7	128	A9		

N.C. : As connected internally, do not use.

■ PIN DESCRIPTION

Pin number		Pin name	I/O circuit type	Function
MQFP*1/ QFP*2	LQFP*3			
99	96	X0	A	Connection pins for a crystal or other oscillator circuit. An external clock can be connected to X0. In this case, leave X1 open.
98	95	X1		
49	46	X0A	A	Connection pins for a crystal or other oscillator circuit. An external clock can be connected to X0A. In this case, leave X1A open.
48	45	X1A		
97	94	MOD0	B	Input pin for setting the memory access mode. Connect directly to V _{SS} .
95, 94	92, 91	P84, P83	J	General-purpose CMOS input port.
96	93	$\overline{\text{RST}}$	C	Reset I/O pin. The pin is an N-ch open-drain type with pull-up resistor and hysteresis input. The pin outputs an "L" level when an internal reset request is present. Inputting an "L" level initializes internal circuits.
2 to 9	99 to 6	P00 to P07	D	General-purpose CMOS I/O port.
10 to 17	7 to 14	P10/INT00 to P17/INT07	E	General-purpose CMOS I/O port. The pin is shared with external interrupt 0 input.
18	15	P20/TO0	F	General-purpose CMOS I/O port. The pin is shared with 8/16-bit timer/counter 00 and 01 output.
19	16	P21/RMC	E	General-purpose CMOS I/O port. The pin is shared with remote receiver input.
20	17	P22/EC0	E	General-purpose CMOS I/O port. The pin is shared with 8/16-bit timer/counter 00 and 01 input.
21	18	P23	F	General-purpose CMOS I/O port.
22	19	P24/TO1	F	General-purpose CMOS I/O port. The pin is shared with 8/16-bit timer/counter 10 and 11 output.
23	20	P25/EC1	E	General-purpose CMOS I/O port. The pin is shared with 8/16-bit timer/counter 10 and 11 input.
24	21	P26/PWM0	F	General-purpose CMOS I/O port. The pin is shared with PWM0 output.
25	22	P27/PWM1	F	General-purpose CMOS I/O port. The pin is shared with PWM1 output.
32 to 39	29 to 36	P30/AN0/ $\overline{\text{INT10}}$ to P37/AN7/ $\overline{\text{INT17}}$	G	General-purpose CMOS I/O port. The pin is shared with external interrupt 1 input and A/D converter input.
40 to 45	37 to 42	P40 to P45	H	General-purpose N-ch open-drain I/O port.
46	43	P46/SCL	H	General-purpose N-ch open-drain I/O port. The pin is shared with I ² C clock I/O.

(Continued)

MB89490 Series

(Continued)

Pin number		Pin name	I/O circuit type	Function
MQFP*1/ QFP*2	LQFP*3			
47	44	P47/SDA	H	General-purpose N-ch open-drain I/O port. The pin is shared with I ² C data I/O.
26	23	P50/SIO	E	General-purpose CMOS I/O port. The pin is shared with SIO data input.
27	24	P51/SO0	F	General-purpose CMOS I/O port. The pin is shared with SIO data output.
28	25	P52/SCK0	E	General-purpose CMOS I/O port. The pin is shared with SIO clock I/O.
57	54	P53/COM2	F/I	General-purpose CMOS I/O port. The pin is shared with the LCD common output.
58	55	P54/COM3	F/I	General-purpose CMOS I/O port. The pin is shared with the LCD common output.
75 to 82	72 to 79	P60/SEG16 to P67/SEG23	F/I	General-purpose CMOS I/O port. The pin is shared with LCD segment output.
83 to 90	80 to 87	P70/SEG24 to P77/SEG31	F/I	General-purpose CMOS I/O port. The pin is shared with LCD segment output.
91	88	P80/SI1	E	General-purpose CMOS I/O port. The pin is shared with UART/SIO data input.
92	89	P81/SO1	F	General-purpose CMOS I/O port. The pin is shared with UART/SIO data output.
93	90	P82/SCK1	E	General-purpose CMOS I/O port. The pin is shared with UART/SIO clock I/O.
59 to 74	56 to 71	SEG0 to SEG15	I	LCD segment output-only pin.
55, 56	52, 53	COM0, COM1	I	LCD common output-only pin.
54, 53, 52	51, 50, 49	V1 to V3	—	LCD driving power supply pin.
1, 51	98, 48	V _{CC}	—	Power supply pin.
50, 100	47, 97	V _{SS}	—	Power supply pin (GND) .
30	27	AV _{CC}	—	A/D converter power supply pin.
29	26	AVR	—	A/D converter reference voltage input pin.
31	28	AV _{SS}	—	A/D converter power supply pin. Use at the same voltage level as V _{SS} .

*1 : MQP-100C-P01

*2 : FPT-100P-M06

*3 : FPT-100P-M05

MB89490 Series

• External EPROM Socket (MB89PV490 only)

Pin number	Pin name	I/O	Function
MQFP*			
102	A15	O	Address output pins.
131	A14		
130	A13		
103	A12		
127	A11		
124	A10		
128	A9		
129	A8		
104	A7		
105	A6		
106	A5		
107	A4		
108	A3		
109	A2		
110	A1	I	Data input pins.
111	A0		
122	O8		
121	O7		
120	O6		
119	O5		
118	O4		
115	O3		
114	O2	—	Internally connected pins. Always leave open.
113	O1		
101	N.C.		
112			
117			
126			
116	V _{SS}	O	Power supply pin (GND) .
123	\overline{CE}	O	Chip enable pin for the EPROM. Outputs "H" in standby mode.
125	\overline{OE}	O	Output enable pin for the EPROM. Always outputs "L".
132	V _{CC}	O	Power supply pin for the EPROM.

* : MQP-100C-P01

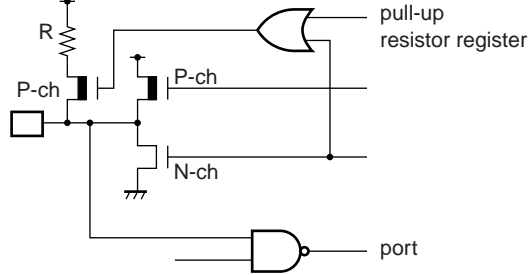
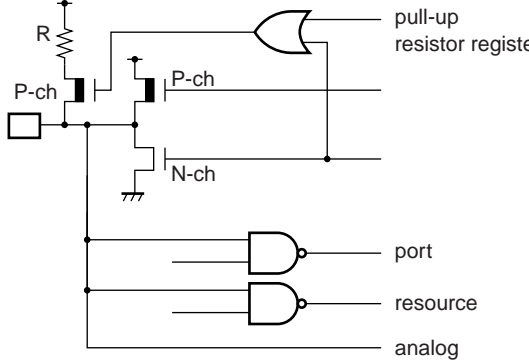
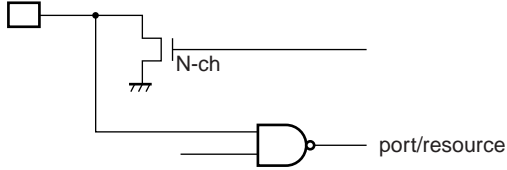
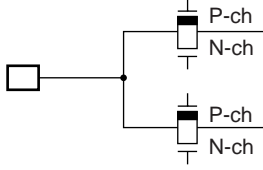
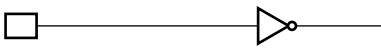
MB89490 Series

I/O CIRCUIT TYPE

Type	Circuit	Remarks
A		<ul style="list-style-type: none"> Main/Sub-clock circuit
B		<ul style="list-style-type: none"> Hysteresis input (CMOS input in MB89F499) The pull-down resistor (not available in MB89F499) Approx. 50 kΩ
C		<ul style="list-style-type: none"> The pull-up resistor (P-channel) Approx. 50 kΩ Hysteresis input
D		<ul style="list-style-type: none"> CMOS output $I_{OH} = -4 \text{ mA}$, $I_{OL} = 12 \text{ mA}$ CMOS input Selectable pull-up resistor Approx. 50 kΩ
E		<ul style="list-style-type: none"> CMOS output $I_{OH} = -2 \text{ mA}$, $I_{OL} = 4 \text{ mA}$ CMOS port input Hysteresis resource input Selectable pull-up resistor Approx. 50 kΩ

(Continued)

(Continued)

Type	Circuit	Remarks
F		<ul style="list-style-type: none"> • CMOS output • $I_{OH} = -2 \text{ mA}$, $I_{OL} = 4 \text{ mA}$ • CMOS input • Selectable pull-up resistor Approx. $50 \text{ k}\Omega$
G		<ul style="list-style-type: none"> • CMOS output • $I_{OH} = -2 \text{ mA}$, $I_{OL} = 4 \text{ mA}$ • CMOS port input • $V_{IH} = 0.85 V_{CC}$, $V_{IL} = 0.5 V_{CC}$ resource input • Analog input • Selectable pull-up resistor Approx. $50 \text{ k}\Omega$
H		<ul style="list-style-type: none"> • N-ch open-drain output • $I_{OL} = 15 \text{ mA}$ • CMOS port input • CMOS resource input • 5 V tolerance
I		<ul style="list-style-type: none"> • LCD segment output
J		<ul style="list-style-type: none"> • CMOS input

■ HANDLING DEVICES

1. Preventing Latch-up

Latch-up may occur on CMOS IC if voltage higher than V_{CC} or lower than V_{SS} is applied to input and output pins other than medium- to high-voltage pins or if higher than the voltage which shows on “1. Absolute Maximum Ratings” in “■ ELECTRICAL CHARACTERISTICS” is applied between V_{CC} and V_{SS} .

When latch-up occurs, power supply current increases rapidly and might thermally damage elements. When using, take great care not to exceed the maximum ratings.

Also, take care to prevent the analog power supply (AV_{CC} and AVR) and analog input from exceeding the digital power supply (V_{CC}) when the analog system power supply is turned on and off.

2. Treatment of Unused Input Pins

Leaving unused input pins open could cause malfunctions. They should be connected to a pull-up or pull-down resistor.

3. Treatment of Power Supply Pins on Microcontrollers with A/D

Connect to be $AV_{CC} = V_{CC}$ and $AV_{SS} = AVR = V_{SS}$ even if the A/D is not in use.

4. Treatment of N.C. Pins

Be sure to leave (internally connected) N.C. pins open.

5. Power Supply Voltage Stabilization

Although V_{CC} power supply voltage is assured to operate within the rated range, a rapid fluctuation of the voltage could cause malfunctions, even if it occurs within the rated range. As stabilization guidelines, it is recommended to control voltage fluctuation so that V_{CC} ripple fluctuations (P-P value) will be less than 10% of the standard V_{CC} value at the commercial frequency (50 Hz to 60 Hz) and the transient fluctuation rate will be less than 0.1 V/ms at the time of a momentary fluctuation such as when power is switched.

6. Precautions when Using an External Clock

Even when an external clock is used, oscillation stabilization time is required for power-on reset and wake-up from stop mode.

7. Treatment of Unused dedicated LCD pins

When dedicated LCD pins are not in use, keep them open.

■ PROGRAMMING AND ERASING FLASH MEMORY ON THE MB89F499

1. Flash Memory

The flash memory is located between 1000_H and FFFF_H in the CPU memory map and incorporates a flash memory interface circuit that allows read access and program access from the CPU to be performed in the same way as mask ROM. Programming and erasing flash memory is also performed via the flash memory interface circuit by executing instructions in the CPU. This enables the flash memory to be updated in place under the control of the internal CPU, providing an efficient method of updating program and data.

2. Flash Memory Features

- 60K bytes × 8-bit configuration (16 K + 8 K + 8 K + 28 K sectors)
- Automatic algorithm (Embedded algorithm* : Equivalent to MBM29LV200)
- Includes an erase pause and erase restart function
- Data polling and toggle bit for detection of program/erase completion
- Detection of program/erase completion via CPU interrupt
- Compatible with JEDEC-standard commands
- Sector Protection (sectors can be combined in any combination)
- No. of program/erase cycles : 10,000 (Min)

* : Embedded Algorithm is a trademark of Advanced Micro Devices.

3. Procedure for Programming and Erasing Flash Memory

Programming and reading flash memory cannot be performed at the same time. Accordingly, to program or erase data to the flash memory, the program must first be copied from flash memory to RAM so that programming can be performed without program access from flash memory.

4. Flash Memory Register

- Flash memory control status register (FMCS)

Address	Bit 7	Bit 6	Bit 5	Bit 4	Bit 3	Bit 2	Bit 1	Bit 0	Initial value
007A _H	INTE	RDYINT	WE	RDY	Reserved	Reserved	—	Reserved	000X00-0B
	R/W	R/W	R/W	R	R/W	R/W	—	R/W	

MB89490 Series

5. Sector Configuration

The table below shows the sector configuration of flash memory and lists the addresses of each sector during CPU access and a flash memory programming.

- Sector configuration of flash memory

Flash Memory	CPU Address	Programmer Address*
16 K bytes	FFFF _H to C000 _H	1FFFF _H to 1C000 _H
8 K bytes	BFFF _H to A000 _H	1BFFF _H to 1A000 _H
8 K bytes	9FFF _H to 8000 _H	19FFF _H to 18000 _H
28 K bytes	7FFF _H to 1000 _H	17FFF _H to 11000 _H

* : The programmer address is the address to be used instead of the CPU address when programming data from a parallel flash memory programmer. Use the programmer address on programming or erasing using a general-purpose programmer.

6. ROM Programmer Adaptor and Recommended ROM Programmers

Package	Applicable adapter model	Recommended writer
	Sunhayato Corp.	Ando Electric Co. Ltd.
FPT-100P-M06	FLASH-100QF-32DP-8LF2	AF9708 (ver 1.60 or later) *
FPT-100P-M05	FLASH-100SQF-32DP-8LF	AF9709 (ver 1.60 or later) *

* : For the programmer and the version of the programmer, contact the Flash Support Group, Inc.

Inquiries : Sunhayato Corp. : TEL : 81-(3)-3984-7791
FAX : 81-(3)-3971-0535
E-mail : adapter@sunhayato.co.jp
Flash Support Group, Inc. : FAX : 81-(53)-428-8377
E-mail : support@j-fsg.co.jp

■ PROGRAMMING TO THE EPROM WITH PIGGY-BACK/EVALUATION DEVICE

1. EPROM for Use

MBM27C512-20TV

2. Programming Socket Adapter

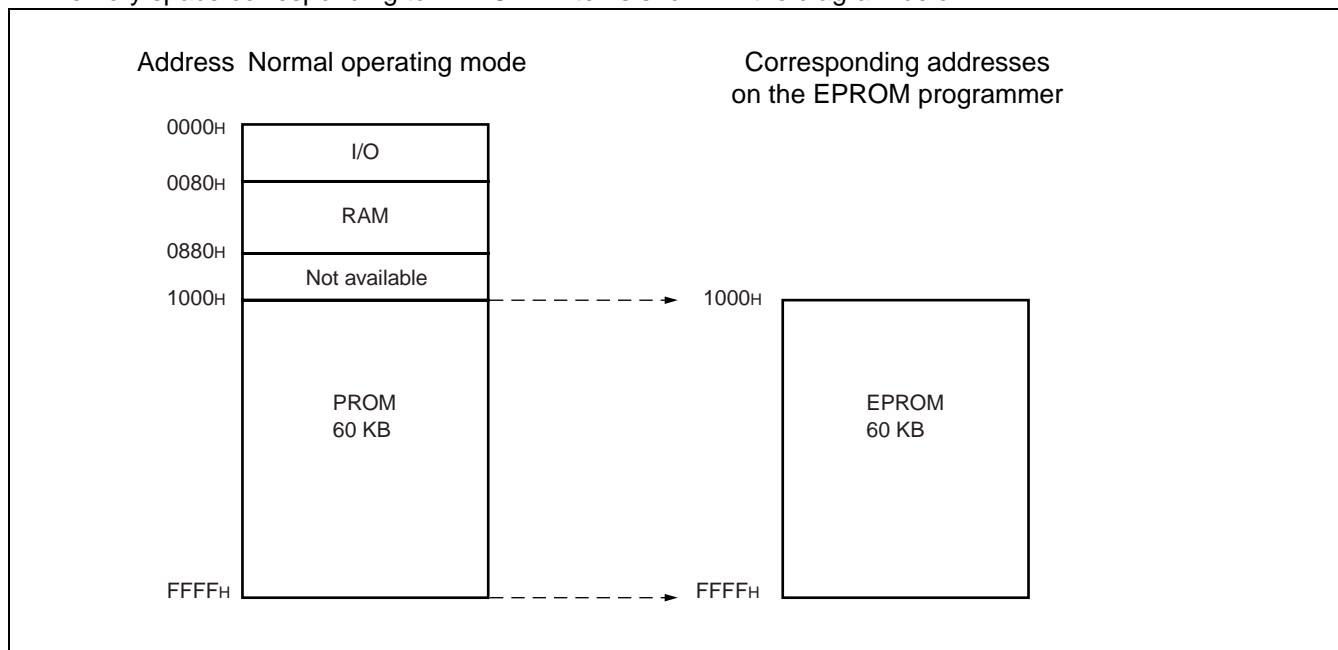
To program to the PROM using an EPROM programmer, use the socket adapter (manufacturer : Sunhayato Corp.) .

Package	Adapter socket part number
LCC-32 (Rectangle)	ROM-32LC-28DP-YG

Inquiry : Sunhayato Corp. : TEL : 81-3-3984-7791
 FAX : 81-3-3971-0535
 E-mail : adapter@sunhayato.co.jp

3. Memory Space

Memory space corresponding to EPROM writer is shown in the diagram below.



4. Programming to the EPROM

- (1) Set the EPROM programmer to the MBM27C512.
- (2) Load program data into the EPROM programmer at 1000H to FFFFH.
- (3) Program to 1000H to FFFFH with the EPROM programmer.

■ ICE PROBE POD ADAPTOR OF PIGGY-BACK/EVA CHIP

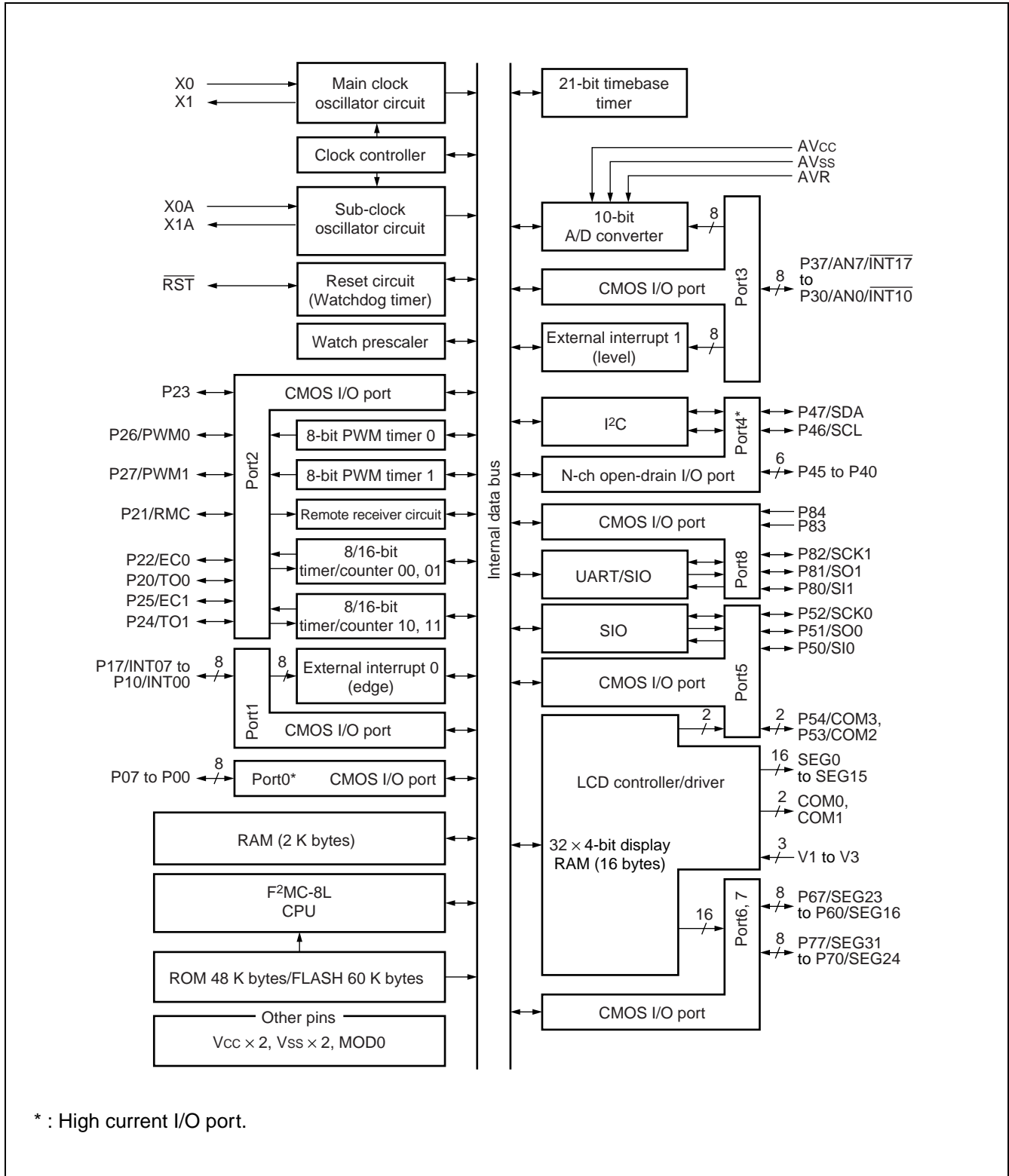
The following conversion adaptor is required to achieve the same pin layout as the FPT-100P-M05.

Adaptor part number: 100QF-100SQF-8L

Inquiry : Sunhayato Corp. : TEL : 81-3-3984-7791
 FAX : 81-3-3971-0535
 E-mail : adapter@sunhayato.co.jp

MB89490 Series

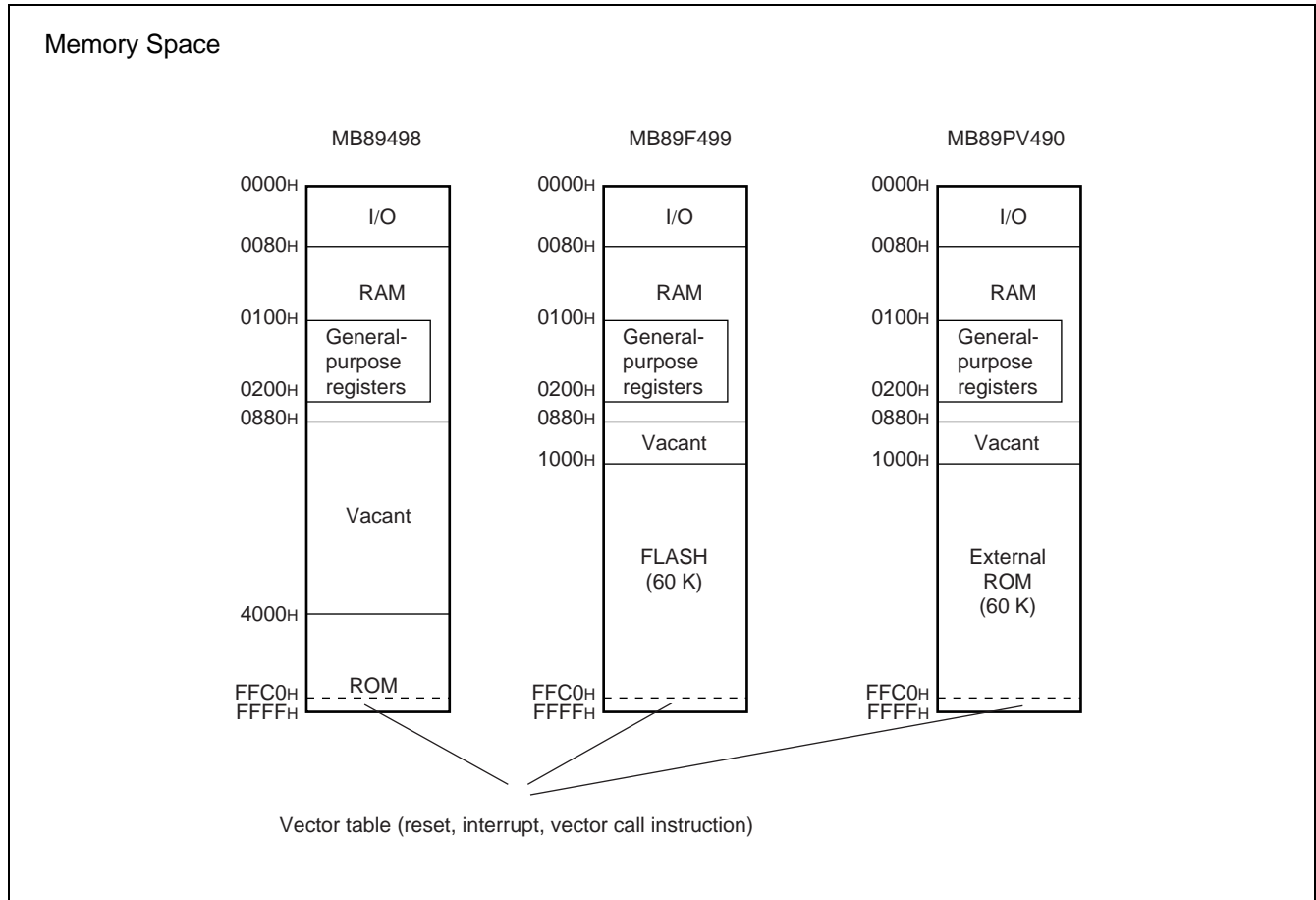
■ BLOCK DIAGRAM



■ CPU CORE

1. Memory Space

The microcontrollers of the MB89490 series offer a memory space of 64K bytes for storing all of I/O, data, and program areas. The I/O area is located the lowest address. The data area is provided immediately above the I/O area. The data area can be divided into register, stack, and direct areas according to the application. The program area is located at exactly the opposite end, that is, near the highest address. Provide the tables of interrupt/reset vectors and vector call instructions toward the highest address within the program area. The memory space of the MB89490 series is structured as illustrated below.

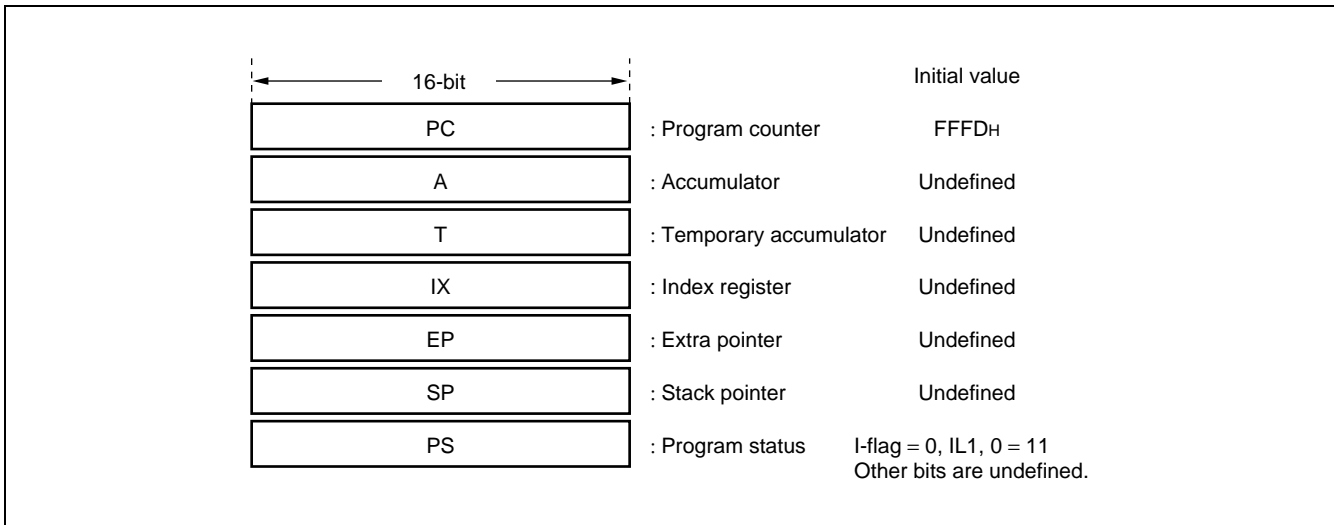


MB89490 Series

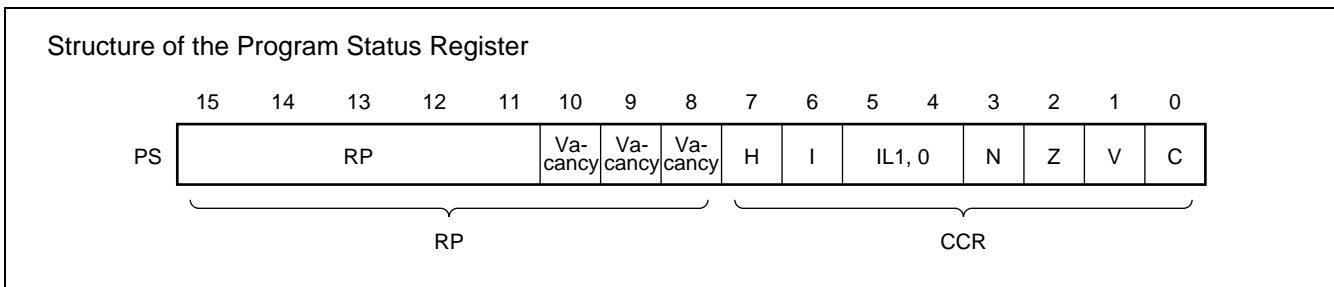
2. Registers

The F²MC-8L family has 2 types of registers; dedicated registers in the CPU and general-purpose registers in the memory. The following registers are provided :

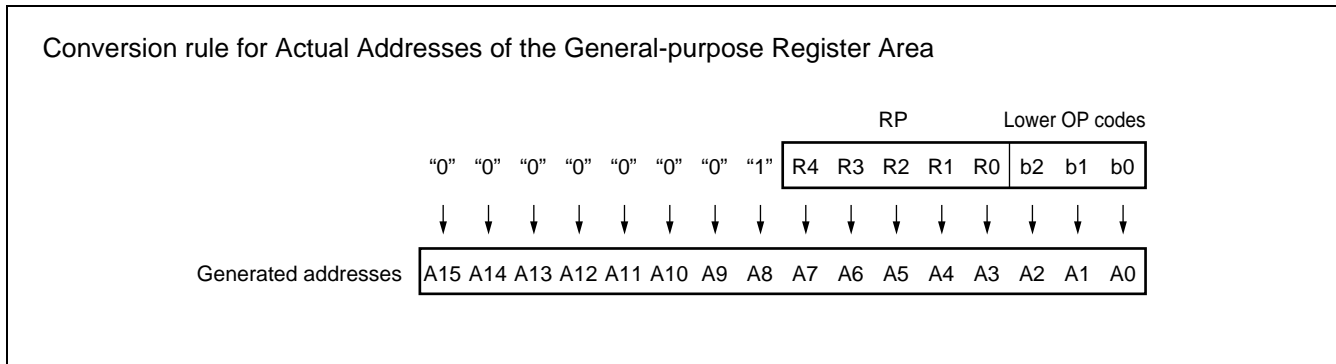
- Program counter (PC) : A 16-bit register for indicating instruction storage positions.
- Accumulator (A) : A 16-bit temporary register for storing arithmetic operations, etc. When the instruction is an 8-bit data processing instruction, the lower byte is used.
- Temporary accumulator (T) : A 16-bit register for performing arithmetic operations with the accumulator. When the instruction is an 8-bit data processing instruction, the lower byte is used.
- Index register (IX) : A 16-bit register for index modification.
- Extra pointer (EP) : A 16-bit pointer for indicating a memory address.
- Stack pointer (SP) : A 16-bit register for indicating a stack area.
- Program status (PS) : A 16-bit register for storing a register pointer and condition code.



The PS can further be divided into higher 8-bit for use as a register bank pointer (RP) and the lower 8-bit for use as a condition code register (CCR) . (See the diagram below.)



The RP indicates the address of the register bank currently in use. The relationship between the pointer contents and the actual address is based on the conversion rule illustrated below.



The CCR consists of bits indicating the results of arithmetic operations and the contents of transfer data and bits for controlling the CPU operations at the time of an interrupt.

H-flag : Set to "1" when a carry or a borrow from bit 3 to bit 4 occurs as a result of an arithmetic operation. Clear to "0" otherwise. This flag is for decimal adjustment instructions.

I-flag : Interrupt is allowed when this flag is set to "1". Interrupt is prohibited when the flag is set to "0". Clear to "0" at reset.

IL1, 0 : Indicates the level of the interrupt currently allowed. Processes an interrupt only if its request is higher than the value indicated by this bit.

IL1	IL0	Interrupt level	High-low
0	0	1	High ↑ ↓ Low
0	1		
1	0	2	
1	1	3	

N-flag : Set to "1" if the MSB is set to "1" as the result of an arithmetic operation. Clear to "0" otherwise.

Z-flag : Set to "1" when an arithmetic operation results in "0". Clear to "0" otherwise.

V-flag : Set to "1" if the complement on 2 overflows as a result of an arithmetic operation. Clear to "0" if the overflow does not occur.

C-flag : Set to "1" when a carry or a borrow from bit 7 occurs as a result of an arithmetic operation. Clear to "0" otherwise. Set to the shift-out value in the case of a shift instruction.

MB89490 Series

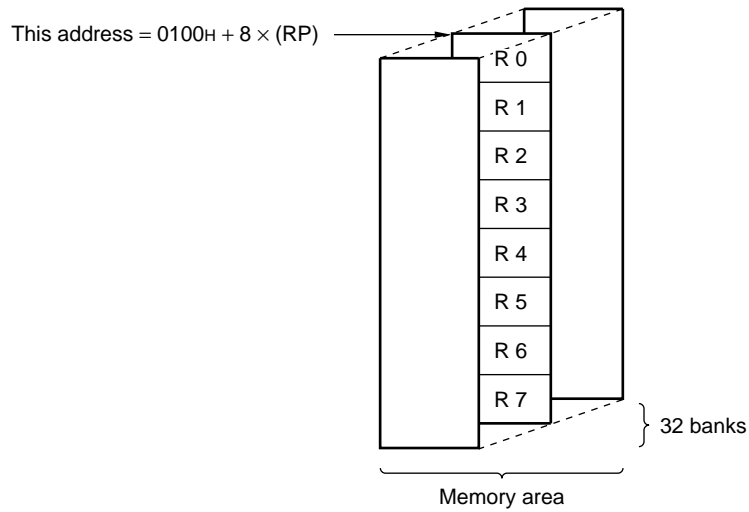
The following general-purpose registers are provided :

General-purpose registers : An 8-bit register for storing data

The general-purpose registers are 8-bit and located in the register banks of the memory.

1 bank contains 8 registers. Up to a total of 32 banks can be used on the MB89490 series. The bank currently in use is indicated by the register bank pointer (RP) .

Register Bank Configuration



■ I/O MAP

Address	Register name	Register description	Read/Write	Initial value
00 _H	PDR0	Port 0 data register	R/W	XXXXXXXX _B
01 _H	DDR0	Port 0 direction register	W*	00000000 _B
02 _H	PDR1	Port 1 data register	R/W	XXXXXXXX _B
03 _H	DDR1	Port 1 direction register	W*	00000000 _B
04 _H	PDR2	Port 2 data register	R/W	00000000 _B
05 _H	(Reserved)			
06 _H	DDR2	Port 2 direction register	R/W	00000000 _B
07 _H	SYCC	System clock control register	R/W	X-1MM100 _B
08 _H	STBC	Standby control register	R/W	00010XXX _B
09 _H	WDTA	Watchdog timer control register	W*	0---XXXX _B
0A _H	TBTC	Timebase timer control register	R/W	00---000 _B
0B _H	WPCR	Watch prescaler control register	R/W	00--0000 _B
0C _H	PDR3	Port 3 data register	R/W	XXXXXXXX _B
0D _H	DDR3	Port 3 direction register	R/W	11111111 _B
0E _H	RSFR	Reset flag register	R	XXXX---- _B
0F _H	PDR4	Port 4 data register	R/W	11111111 _B
10 _H	PDR5	Port 5 data register	R/W	---XXXXX _B
11 _H	DDR5	Port 5 direction register	R/W	---00000 _B
12 _H	PDR6	Port 6 data register	R/W	XXXXXXXX _B
13 _H	DDR6	Port 6 direction register	R/W	00000000 _B
14 _H	PDR7	Port 7 data register	R/W	XXXXXXXX _B
15 _H	DDR7	Port 7 direction register	R/W	00000000 _B
16 _H	PDR8	Port 8 data register	R/W	---XXXXX _B
17 _H	DDR8	Port 8 direction register	R/W	---00000 _B
18 _H	EIC0	External interrupt 0 control register 0	R/W	00000000 _B
19 _H	EIC1	External interrupt 0 control register 1	R/W	00000000 _B
1A _H	EIC2	External interrupt 0 control register 2	R/W	00000000 _B
1B _H	EIC3	External interrupt 0 control register 3	R/W	00000000 _B
1C _H	EIE1	External interrupt 1 enable register	R/W	00000000 _B
1D _H	EIF1	External interrupt 1 flag register	R/W	-----0 _B
1E _H	SMR	Serial mode register	R/W	00000000 _B
1F _H	SDR	Serial data register	R/W	XXXXXXXX _B
20 _H	T01CR	Timer 01 control register	R/W	000000X0 _B
21 _H	T00CR	Timer 00 control register	R/W	000000X0 _B
22 _H	T01DR	Timer 01 data register	R/W	XXXXXXXX _B

(Continued)

MB89490 Series

Address	Register name	Register description	Read/Write	Initial value
23 _H	T00DR	Timer 00 data register	R/W	XXXXXXXX _B
24 _H	T11CR	Timer 11 control register	R/W	000000X0 _B
25 _H	T10CR	Timer 10 control register	R/W	000000X0 _B
26 _H	T11DR	Timer 11 data register	R/W	XXXXXXXX _B
27 _H	T10DR	Timer 10 data register	R/W	XXXXXXXX _B
28 _H	ADER	A/D input enable register	R/W	11111111 _B
29 _H	ADC0	A/D control register 0	R/W	-00000X0 _B
2A _H	ADC1	A/D control register 1	R/W	-0000001 _B
2B _H	ADDH	A/D data register (Upper byte)	R	-----XX _B
2C _H	ADDL	A/D data register (Lower byte)	R	XXXXXXXX _B
2D _H	CNTR0	PWM 0 timer control register	R/W	0-000000 _B
2E _H	COMR0	PWM 0 timer compare register	W*	XXXXXXXX _B
2F _H	SMC0	UART/SIO serial mode control register	R/W	00000000 _B
30 _H	SMC1	UART/SIO serial mode control register	R/W	00000000 _B
31 _H	SSD	UART/SIO serial status/data register	R/W	00001--- _B
32 _H	SIDR/SODR	UART/SIO serial data register	R/W	XXXXXXXX _B
33 _H	SRC	UART/SIO serial rate control register	R/W	XXXXXXXX _B
34 _H	CNTR1	PWM 1 timer control register	R/W	0-000000 _B
35 _H	COMR1	PWM 1 timer compare register	W*	XXXXXXXX _B
36 _H	IBSR	I ² C bus status register	R	00000000 _B
37 _H	IBCR	I ² C bus control register	R/W	00000000 _B
38 _H	ICCR	I ² C clock control register	R/W	000XXXXX _B
39 _H	IADR	I ² C address register	R/W	-XXXXXXXX _B
3A _H	IDAR	I ² C data register	R/W	XXXXXXXX _B
3B _H	PLLCR	Sub PLL control register	R/W	----0000 _B
3C _H to 3F _H	(Reserved)			
40 _H	RMN	Remote control counter register	R	XXXXXXXX _B
41 _H	RMC	Remote control control register	R/W	00000000 _B
42 _H	RMS	Remote control status register	R/W	0X000001 _B
43 _H	RMD	Remote control FIFO data register	R	X---XXX _B
44 _H	RMCD0	Remote control compare register 0	R/W	11111111 _B
45 _H	RMCD1	Remote control compare register 1	R/W	11111111 _B
46 _H	RMCD2	Remote control compare register 2	R/W	11111111 _B
47 _H	RMCD3	Remote control compare register 3	R/W	11111111 _B
48 _H	RMCD4	Remote control compare register 4	R/W	11111111 _B

(Continued)

(Continued)

Address	Register name	Register description	Read/Write	Initial value
49 _H	RMCD5	Remote control compare register 5	R/W	11111111 _B
4A _H	RMCI	Remote interrupt register	R/W	0000-000 _B
4B _H to 5D _H	(Reserved)			
5E _H	LOCR	LCD controller output control register	R/W	-0000000 _B
5F _H	LCR	LCD controller control register	R/W	00010000 _B
60 _H to 6F _H	VRAM	LCD data RAM	R/W	XXXXXXXX _B
70 _H	PUCR0	Port 0 pull up resistor control register	R/W	11111111 _B
71 _H	PUCR1	Port 1 pull up resistor control register	R/W	11111111 _B
72 _H	PUCR2	Port 2 pull up resistor control register	R/W	11111111 _B
73 _H	PUCR3	Port 3 pull up resistor control register	R/W	11111111 _B
74 _H	PUCR5	Port 5 pull up resistor control register	R/W	---1111 _B
75 _H	PUCR6	Port 6 pull up resistor control register	R/W	11111111 _B
76 _H	PUCR7	Port 7 pull up resistor control register	R/W	11111111 _B
77 _H	PUCR8	Port 8 pull up resistor control register	R/W	-----11 _B
78 _H to 79 _H	(Reserved)			
7A _H	FMCS	Flash memory control status register	R/W	000X00-0 _B
7B _H	ILR1	Interrupt level setting register 1	W*	11111111 _B
7C _H	ILR2	Interrupt level setting register 2	W*	11111111 _B
7D _H	ILR3	Interrupt level setting register 3	W*	11111111 _B
7E _H	ILR4	Interrupt level setting register 4	W*	11111111 _B
7F _H	(Reserved)			

* : Bit manipulation instruction cannot be used.

- **Read/write access symbols**

R/W: Readable and writable

R : Read-only

W : Write-only

- **Initial value symbols**

0 : The initial value of this bit is "0".

1 : The initial value of this bit is "1".

X : The initial value of this bit is undefined.

- : Unused bit.

M : The initial value of this bit is determined by mask option.

MB89490 Series

■ ELECTRICAL CHARACTERISTICS

1. Absolute Maximum Ratings

Parameter	Symbol	Rating		Unit	Remarks
		Min	Max		
Power supply voltage*1	V _{CC} AV _{CC}	V _{SS} – 0.3	V _{SS} + 4.0	V	AV _{CC} must be equal to V _{CC}
	AVR	V _{SS} – 0.3	V _{SS} + 4.0	V	
LCD power supply voltage	V1 to V3	V _{SS} – 0.3	V _{CC}	V	
Input voltage *1	V _I	V _{SS} – 0.3	V _{CC} + 0.3	V	Except P40 to P47
		V _{SS} – 0.3	V _{SS} + 6.0	V	P40 to P47 in MB89PV490 and MB89498
		V _{SS} – 0.3	V _{SS} + 5.5	V	P40 to P47 in MB89F499
Output voltage*1	V _O	V _{SS} – 0.3	V _{CC} + 0.3	V	
Maximum clamp current	I _{CLAMP}	– 2.0	+ 2.0	mA	*2
Total maximum clamp current	∑ I _{CLAMP}	—	20	mA	*2
“L” level maximum output current	I _{OL}	—	15	mA	
“L” level average output current	I _{OLAV}	—	4	mA	Average value (operating current × operating rate)
“L” level total maximum output current	∑I _{OL}	—	100	mA	
“L” level total average output current	∑I _{OLAV}	—	40	mA	Average value (operating current × operating rate)
“H” level maximum output current	I _{OH}	—	– 15	mA	
“H” level average output current	I _{OHAV}	—	– 4	mA	Average value (operating current × operating rate)
“H” level total maximum output current	∑I _{OH}	—	– 50	mA	
“H” level total average output current	∑I _{OHAV}	—	– 20	mA	Average value (operating current × operating rate)
Power consumption	P _D	—	300	mW	
Operating temperature	T _A	– 40	+ 85	°C	
Storage temperature	T _{stg}	– 55	+ 150	°C	

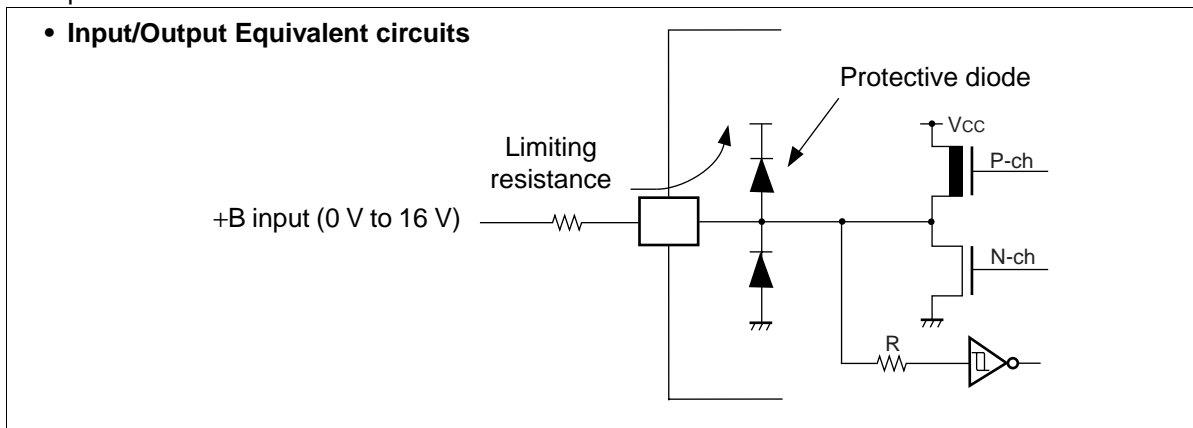
*1 : The parameter is based on AV_{SS} = V_{SS} = 0.0 V.

- *2 : • Applicable to pins : P00 to P07, P10 to P17, P20 to P27, P30 to P37, P50 to P52, P80 to P82
 • Use within recommended operating conditions.
 • Use at DC voltage (current) .
 • The +B signal should always be applied with a limiting resistance placed between the +B signal and the microcontroller.
 • The value of the limiting resistance should be set so that when the +B signal is applied the input current to the microcontroller pin does not exceed rated values, either instantaneously or for prolonged periods.

(Continued)

(Continued)

- Note that when the microcontroller drive current is low, such as in the power saving modes, the +B input potential may pass through the protective diode and increase the potential at the V_{CC} pin, and this may affect other devices.
- Note that if a +B signal is input when the microcontroller current is off (not fixed at 0 V), the power supply is provided from the pins, so that incomplete operation may result.
- Note that if the +B input is applied during power-on, the power supply is provided from the pins and the resulting supply voltage may not be sufficient to operate the power-on result.
- Care must be taken not to leave the +B input pin open.
- Note that analog system input/output pins other than the A/D input pins (LCD drive pins, comparator input pins, etc.) cannot accept +B signal input.
- Sample recommended circuits :



WARNING: Semiconductor devices can be permanently damaged by application of stress (voltage, current, temperature, etc.) in excess of absolute maximum ratings. Do not exceed these ratings.

MB89490 Series

2. Recommended Operating Conditions

(AV_{SS} = V_{SS} = 0.0 V)

Parameter	Symbol	Value		Unit	Remarks	
		Min	Max			
Power supply voltage	V _{CC}	2.7*	3.6	V	Normal operation assurance range	MB89PV490 and MB89F499
		2.2*	3.6	V	Normal operation assurance range	MB89498
	AV _{CC}	1.5	3.6	V	Retains the RAM state in stop mode	
	AVR	2.7	3.6	V		
LCD power supply voltage	V1 to V3	V _{SS}	V _{CC}	V		
Operating temperature	T _A	-40	+85	°C		

* : These values depend on the operating conditions and the analog assurance range. See Figure 1, 2 and "5. A/D Converter Electrical Characteristics."

WARNING: The recommended operating conditions are required in order to ensure the normal operation of the semiconductor device. All of the device's electrical characteristics are warranted when the device is operated within these ranges.

Always use semiconductor devices within their recommended operating condition ranges. Operation outside these ranges may adversely affect reliability and could result in device failure.

No warranty is made with respect to uses, operating conditions, or combinations not represented on the data sheet. Users considering application outside the listed conditions are advised to contact their FUJITSU representatives beforehand.

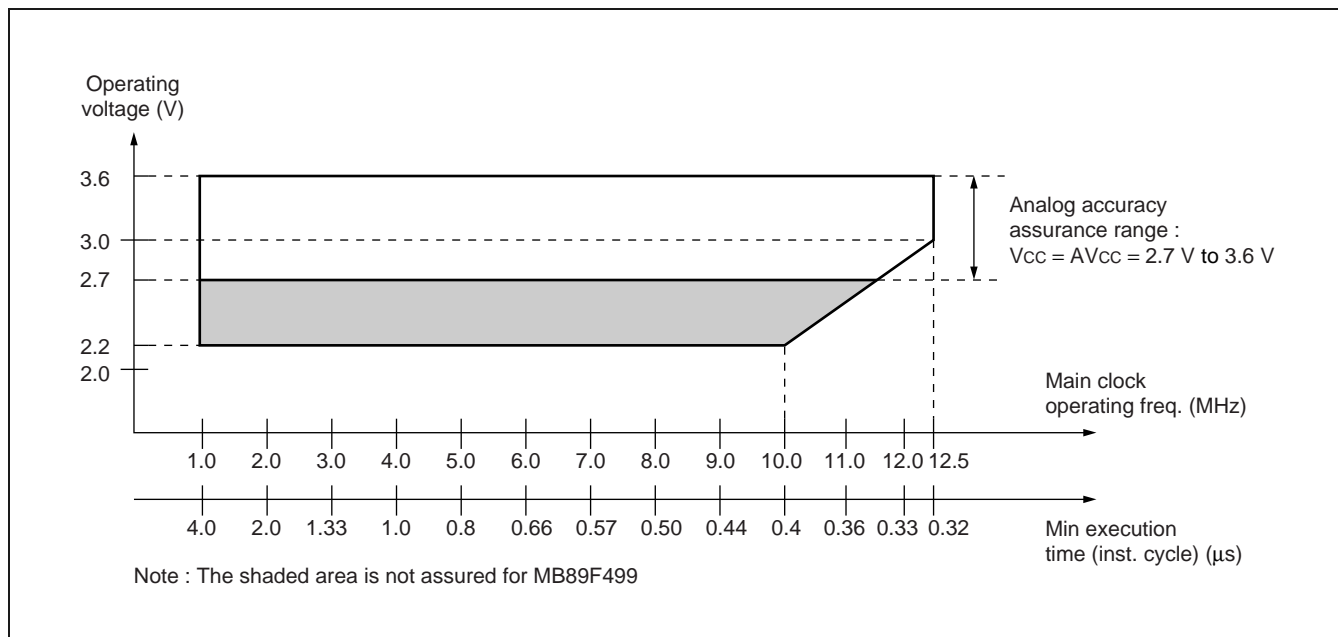


Figure1 Operating Voltage vs. Main Clock Operating Frequency (MB89F499/498)

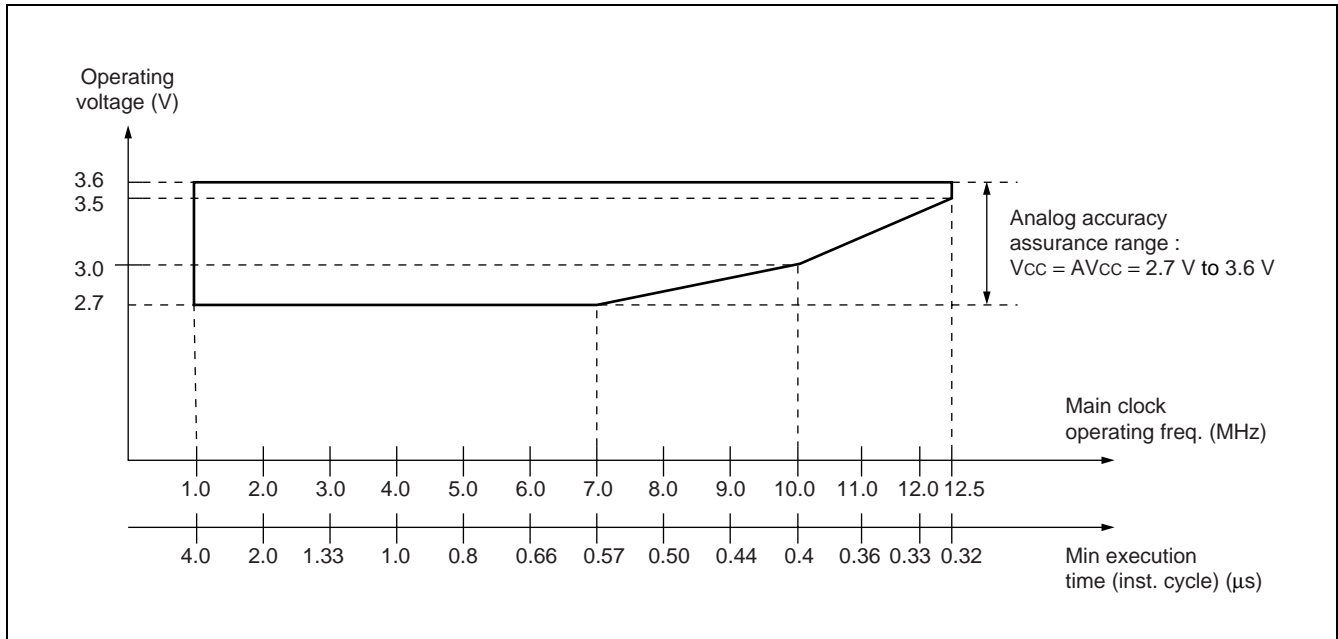


Figure2 Operating Voltage vs. Main Clock Operating Frequency (MB89PV490)

Figure 1 and 2 indicate the operating frequency of the external oscillator at an instruction cycle of $4/F_{CH}$.

Since the operating voltage range is dependent on the instruction cycle, see figure 1 and 2 if the operating speed is switched using a gear.

MB89490 Series

3. DC Characteristics

($V_{CC} = V_{CC} = 3.0\text{ V}$, $V_{SS} = V_{SS} = 0.0\text{ V}$, $T_A = -40\text{ }^\circ\text{C}$ to $+85\text{ }^\circ\text{C}$)

Parameter	Symbol	Pin	Condition	Value			Unit	Remarks
				Min	Typ	Max		
"H" level input voltage	V_{IH}	P00 to P07, P10 to P17, P20 to P27, P30 to P37, P50 to P54, P60 to P67, P70 to P77, P80 to P84, SCL, SDA,	—	$0.7 V_{CC}$	—	$V_{CC} + 0.3$	V	
		P40 to P47	—	$0.7 V_{CC}$	—	$V_{SS} + 6.0$	V	MB89498
			—	$0.7 V_{CC}$	—	$V_{SS} + 5.5$	V	MB89F499
	V_{IHS}	\overline{RST} , MOD0, EC0, EC1, SCK0, SI0, SCK1, SI1, RMC, INT00 to INT07	—	$0.8 V_{CC}$	—	$V_{CC} + 0.3$	V	
	V_{IHA}	$\overline{INT10}$ to $\overline{INT17}$	—	$0.85 V_{CC}$	—	$V_{CC} + 0.3$	V	
"L" level input voltage	V_{IL}	P00 to P07, P10 to P17, P20 to P27, P30 to P37, P40 to P47, P50 to P54, P60 to P67, P70 to P77, P80 to P84, SCL, SDA,	—	$V_{SS} - 0.3$	—	$0.3 V_{CC}$	V	
		\overline{RST} , MOD0, EC0, EC1, SCK0, SI0, SCK1, SI1, RMC, INT00 to INT07	—	$V_{SS} - 0.3$	—	$0.2 V_{CC}$	V	
	V_{ILA}	$\overline{INT10}$ to $\overline{INT17}$	—	$V_{SS} - 0.3$	—	$0.5 V_{CC}$	V	
Open-drain output pin application voltage	V_D	P40 to P47	—	$V_{SS} - 0.3$	—	$V_{SS} + 6.0$	V	MB89498
			—	$V_{SS} - 0.3$	—	$V_{SS} + 5.5$	V	MB89F499

(Continued)

MB89490 Series

($AV_{CC} = V_{CC} = 3.0\text{ V}$, $AV_{SS} = V_{SS} = 0.0\text{ V}$, $T_A = -40\text{ }^\circ\text{C}$ to $+85\text{ }^\circ\text{C}$)

Parameter	Symbol	Pin	Condition	Value			Unit	Remarks
				Min	Typ	Max		
“H” level output voltage	V_{OH}	P10 to P17, P20 to P27, P30 to P37, P50 to P54, P60 to P67, P70 to P77, P80 to P82	$I_{OH} = -2.0\text{ mA}$	2.2	—	—	V	
		P00 to P07	$I_{OH} = -4.0\text{ mA}$	2.2	—	—	V	
“L” level output voltage	V_{OL}	P10 to P17, P20 to P27, P30 to P37, P50 to P54, P60 to P67, P70 to P77, P80 to P82, \overline{RST}	$I_{OL} = 4.0\text{ mA}$	—	—	0.4	V	
		P00 to P07	$I_{OL} = 12.0\text{ mA}$	—	—	0.4	V	
		P40 to P47	$I_{OL} = 15.0\text{ mA}$	—	—	0.4	V	
Input leakage current	I_{LI}	P00 to P07, P10 to P17, P20 to P27, P30 to P37, P40 to P47, P50 to P54, P60 to P67, P70 to P77, P80 to P84	$0.45\text{ V} < V_I < V_{CC}$	-5	—	+5	μA	Without pull-up resistor
Open-drain output leakage current	I_{LOD}	P40 to P47	$0.0\text{ V} < V_I < V_{CC}$	-5	—	+5	μA	
Pull-down resistance	R_{DOWN}	MOD0	$V_I = V_{CC}$	25	50	100	k Ω	Except MB89F499
Pull-up resistance	R_{PULL}	P00 to P07, P10 to P17, P20 to P27, P30 to P37, P50 to P54, P60 to P67, P70 to P77, P80 to P82, \overline{RST}	$V_I = 0.0\text{ V}$	25	50	100	k Ω	When pull-up resistor is selected (except \overline{RST})
Common output impedance	R_{VCOM}	COM0 to COM3	V_1 to $V_3 = +3.0\text{ V}$	—	—	2.5	k Ω	

(Continued)

MB89490 Series

($AV_{CC} = V_{CC} = 3.0\text{ V}$, $AV_{SS} = V_{SS} = 0.0\text{ V}$, $T_A = -40\text{ }^\circ\text{C}$ to $+85\text{ }^\circ\text{C}$)

Parameter	Symbol	Pin	Condition	Value			Unit	Remarks
				Min	Typ	Max		
Segment output impedance	R_{VSEG}	SEG0 to SEG31	$V1$ to $V3 = +3.0\text{ V}$	—	—	15	$k\Omega$	
LCD divided resistance	R_{LCD}	—	Between V_{CC} and V_{SS}	300	500	750	$k\Omega$	
LCD controller/driver leakage current	I_{LCDL}	$V1$ to $V3$, COM0 to COM3, SEG0 to SEG31	—	-1	—	+1	μA	
Power supply current	I_{CC1}	V_{CC}	$F_{CH} = 12.5\text{ MHz}$ $t_{inst} = 0.33\text{ }\mu\text{s}$ Main clock run mode	—	8.0	12	mA	MB89F499
				—	7.0	12.0	mA	MB89498
	I_{CC2}		$F_{CH} = 12.5\text{ MHz}$ $t_{inst} = 5.33\text{ }\mu\text{s}$ Main clock run mode	—	1.0	3.0	mA	MB89F499 MB89498
	I_{CCS1}		$F_{CH} = 12.5\text{ MHz}$ $t_{inst} = 0.33\text{ }\mu\text{s}$ Main clock sleep mode	—	3.0	5.0	mA	MB89F499 MB89498
	I_{CCS2}		$F_{CH} = 12.5\text{ MHz}$ $t_{inst} = 5.33\text{ }\mu\text{s}$ Main clock sleep mode	—	0.6	2.0	mA	MB89F499 MB89498
	I_{CCL}		$F_{CL} = 32.768\text{ kHz}$ Sub-clock mode $T_A = +25\text{ }^\circ\text{C}$	—	40.0	60.0	μA	MB89F499 MB89498
	I_{CCLPLL}		$F_{CL} = 32.768\text{ kHz}$ Sub-clock mode $T_A = +25\text{ }^\circ\text{C}$ sub PLL $\times 4$	—	180.0	250.0	μA	MB89F499 MB89498
	I_{CCLS}		$F_{CL} = 32.768\text{ kHz}$ Sub-clock sleep mode $T_A = +25\text{ }^\circ\text{C}$	—	14.0	30.0	μA	MB89F499 MB89498
I_{CCT}	$F_{CL} = 32.768\text{ kHz}$ Watch mode Main clock stop mode $T_A = +25\text{ }^\circ\text{C}$	—	1.5	13.0	μA	MB89F499 MB89498		

(Continued)

MB89490 Series

(Continued)

($AV_{CC} = V_{CC} = 3.0\text{ V}$, $AV_{SS} = V_{SS} = 0.0\text{ V}$, $T_A = -40\text{ °C}$ to $+85\text{ °C}$)

Parameter	Symbol	Pin	Condition	Value			Unit	Remarks
				Min	Typ	Max		
Power supply current	I_{CCH}	V_{CC}	$T_A = +25\text{ °C}$ Sub-clock stop mode	—	0.8	4.0	μA	MB89F499 MB89498
	I_A	AV_{CC}	$AV_{CC} = 3.0\text{ V}$, $T_A = +25\text{ °C}$	—	1.2	4.4	mA	A/D converting
	I_{AH}		$T_A = +25\text{ °C}$	—	0.8	4.0	μA	A/D stop
Input capacitance	C_{IN}	Except V_{CC} , V_{SS} , AV_{CC} , AV_{SS} , AVR	$f = 1\text{ MHz}$	—	10.0	—	pF	

MB89490 Series

4. AC Characteristics

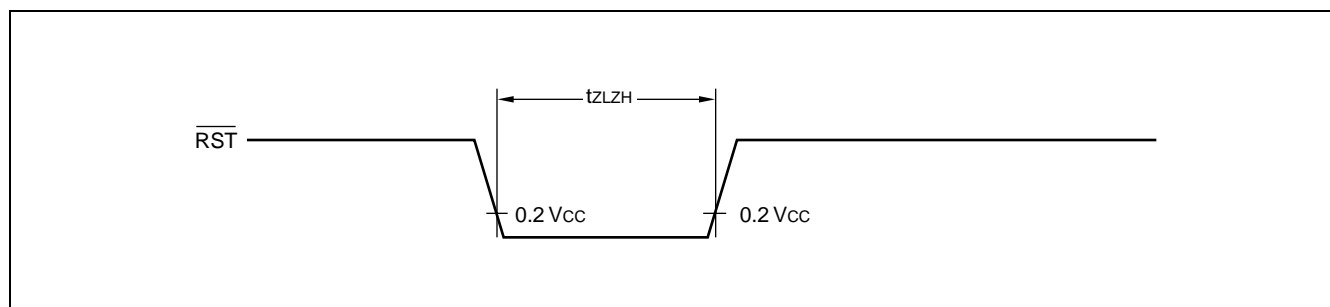
(1) Reset Timing

($AV_{CC} = V_{CC} = 3.0\text{ V}$, $AV_{SS} = V_{SS} = 0.0\text{ V}$, $T_A = -40\text{ }^\circ\text{C}$ to $+85\text{ }^\circ\text{C}$)

Parameter	Symbol	Condition	Value		Unit	Remarks
			Min	Max		
$\overline{\text{RST}}$ "L" pulse width	t_{ZLZH}	—	48 t_{HCYL}	—	ns	

Note : t_{HCYL} is the oscillation cycle ($1/F_{\text{CH}}$) to input to the X0 pin.

The MCU operation is not guaranteed when the "L" pulse width is shorter than t_{ZLZH} .



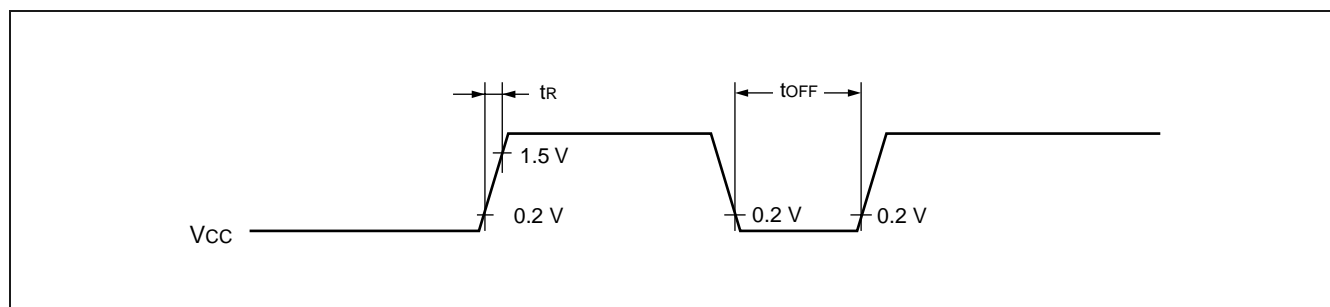
(2) Power-on Reset

($AV_{SS} = V_{SS} = 0.0\text{ V}$, $T_A = -40\text{ }^\circ\text{C}$ to $+85\text{ }^\circ\text{C}$)

Parameter	Symbol	Condition	Value		Unit	Remarks
			Min	Max		
Power supply rising time	t_{R}	—	—	50	ms	
Power supply cut-off time	t_{OFF}	—	1	—	ms	Due to repeated operations

Note : Make sure that power supply rises within the selected oscillation stabilization time.

Rapid changes in power supply voltage may cause a power-on reset. If power supply voltage needs to be varied in the course of operation, a smooth voltage rise is recommended.

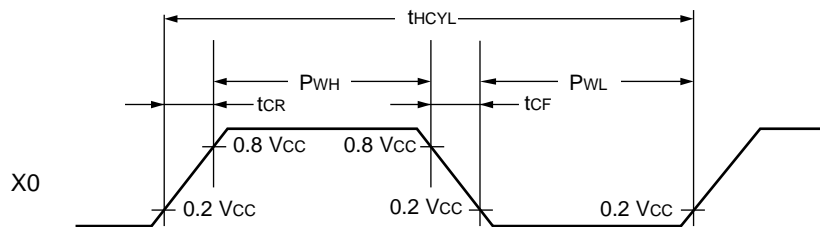


(3) Clock Timing

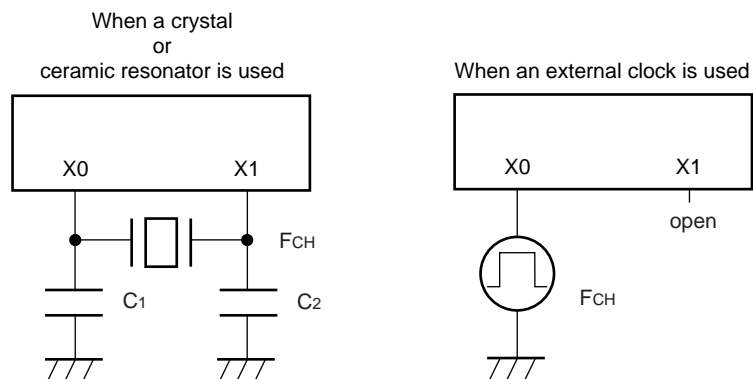
($V_{SS} = V_{SS} = 0.0\text{ V}$, $T_A = -40\text{ }^\circ\text{C}$ to $+85\text{ }^\circ\text{C}$)

Parameter	Symbol	Pin	Value			Unit	Remarks
			Min	Typ	Max		
Clock frequency	F_{CH}	X0, X1	1	—	12.5	MHz	
	F_{CL}	X0A, X1A	—	32.768	75	kHz	
Clock cycle time	t_{HCYL}	X0, X1	80	—	1000	ns	
	t_{LCYL}	X0A, X1A	13.3	30.5	—	μs	
Input clock pulse width	P_{WH} P_{WL}	X0	20	—	—	ns	External clock
	P_{WHL} P_{WLL}	X0A	—	15.2	—	μs	
Input clock rising/falling time	t_{CR} t_{CF}	X0, X0A	—	—	10	ns	

X0 and X1 Timing and Conditions

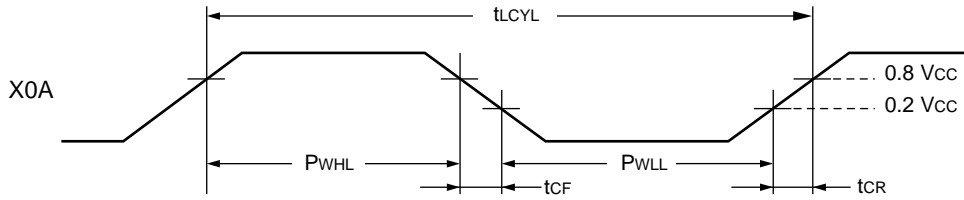


Main Clock Conditions



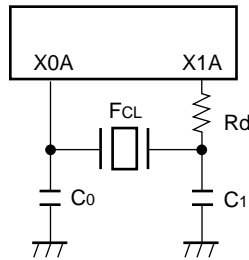
MB89490 Series

Sub-clock Timing and Conditions

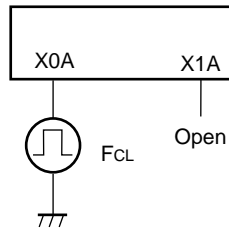


Sub-clock Conditions

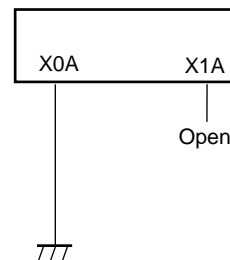
When a crystal or ceramic resonator is used



When an external clock is used



When an subclock is not used

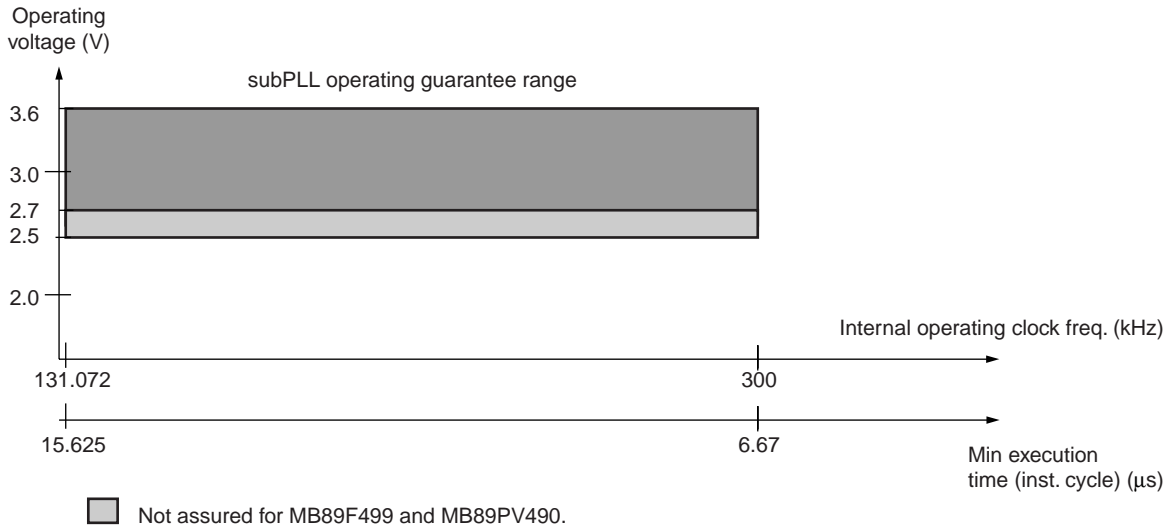


(4) Instruction Cycle

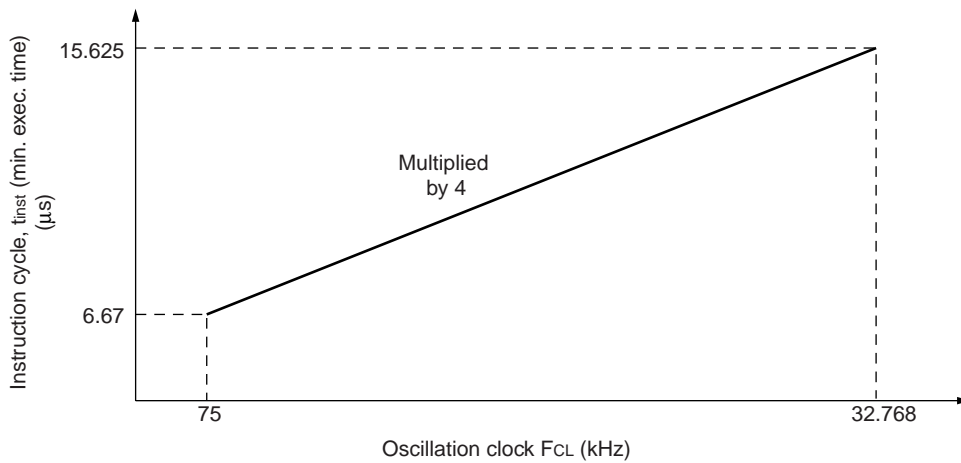
Parameter	Symbol	Value (typical)	Unit	Remarks
Instruction cycle (minimum execution time)	t_{inst}	$4/F_{CH}$, $8/F_{CH}$, $16/F_{CH}$, $64/F_{CH}$	μs	$(4/F_{CH}) t_{inst} = 0.32 \mu s$ when operating at $F_{CH} = 12.5 \text{ MHz}$
		$2/F_{CL}$, $1/2F_{CL}$	μs	$(2/F_{CL}) t_{inst} = 61.036 \mu s$ when operating at $F_{CL} = 32.768 \text{ kHz}$

- PLL operation guarantee range (sub PLL × 4)

Relationship between internal operating clock frequency and power supply voltage



Relationship between sub-clock oscillating frequency and instruction cycle when sub PLL is enabled



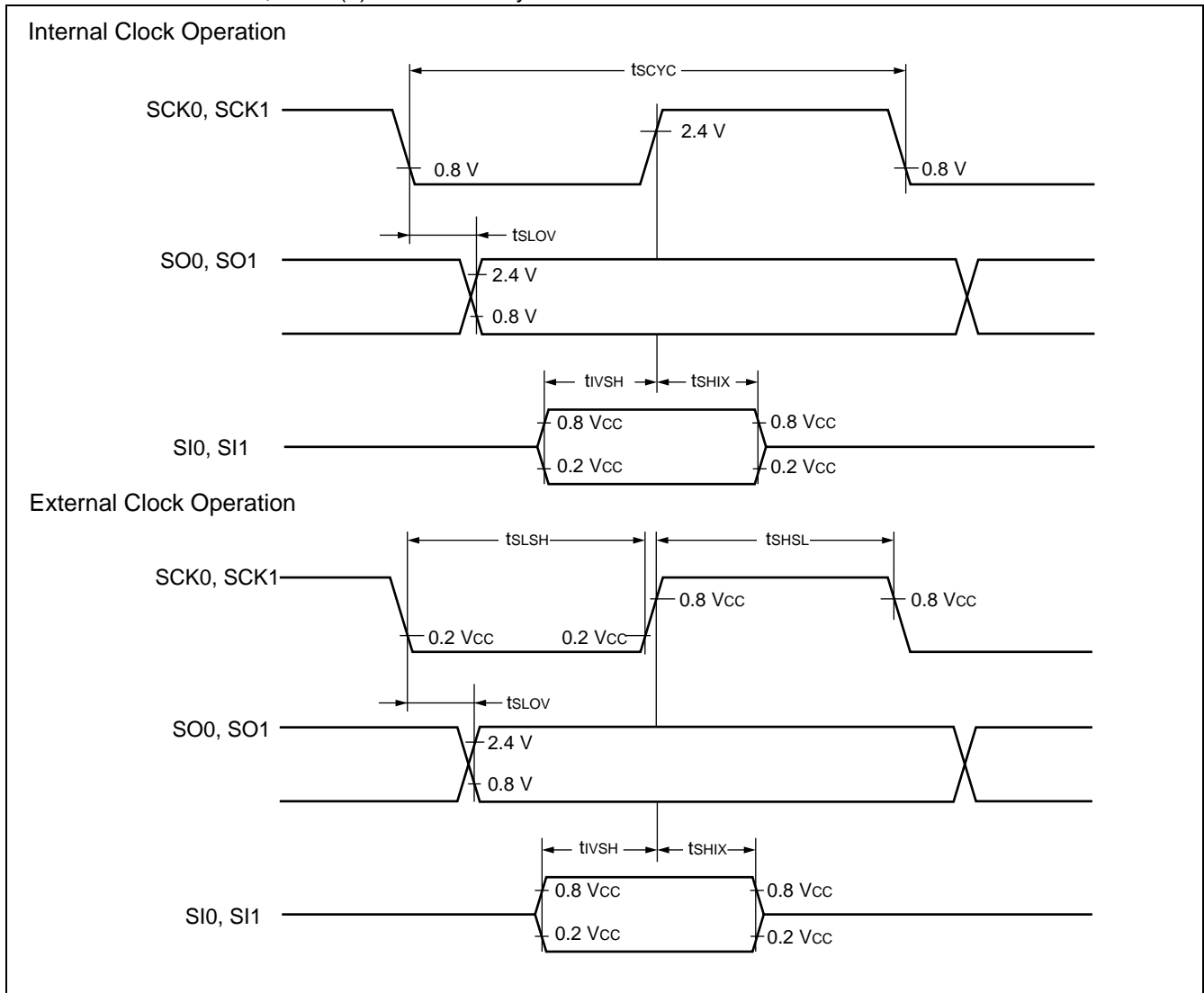
MB89490 Series

(5) Serial I/O Timing

($V_{CC} = V_{SS} = 3.0\text{ V}$, $V_{SS} = 0.0\text{ V}$, $T_A = -40\text{ }^\circ\text{C}$ to $+85\text{ }^\circ\text{C}$)

Parameter	Symbol	Pin	Condition	Value		Unit
				Min	Max	
Serial clock cycle time	t_{SCYC}	SCK0, SCK1	Internal shift clock mode	$2 t_{inst}^*$	—	μs
SCK $\downarrow \rightarrow$ SO time	t_{SLOV}	SCK0, SCK1, SO0, SO1		-200	200	ns
Valid SI \rightarrow SCK \uparrow	t_{IVSH}	SI0, SI1, SCK0, SCK1		$1/2 t_{inst}^*$	—	μs
SCK $\uparrow \rightarrow$ valid SI hold time	t_{SHIX}	SCK0, SCK1, SI0, SI1		$1/2 t_{inst}^*$	—	μs
Serial clock "H" pulse width	t_{SHSL}	SCK0, SCK1	External shift clock mode	$1 t_{inst}^*$	—	μs
Serial clock "L" pulse width	t_{SLSH}			$1 t_{inst}^*$	—	μs
SCK $\downarrow \rightarrow$ SO time	t_{SLOV}	SCK0, SCK1, SO0, SO1		0	200	ns
Valid SI \rightarrow SCK \uparrow	t_{IVSH}	SI0, SI1, SCK0, SCK1		$1/2 t_{inst}^*$	—	μs
SCK $\uparrow \rightarrow$ valid SI hold time	t_{SHIX}	SCK0, SCK1, SI0, SI1		$1/2 t_{inst}^*$	—	μs

* : For information on t_{inst} , see "(4) Instruction Cycle."



(6) I²C Timing

(V_{CC} = 3.0V, AV_{SS} = V_{SS} = 0.0 V, T_A = -40 °C to +85 °C)

Parameter	Symbol	Pin	Value		Unit	Remarks
			Min	Max		
Start condition output	t _{STA}	SCL SDA	$\frac{1}{4} t_{inst}^{*1} \times M \times N - 20$	$\frac{1}{4} t_{inst} \times M \times N + 20$	ns	At master mode
Stop condition output	t _{STO}	SCL SDA	$\frac{1}{4} t_{inst} \times (M \times N + 8) - 20$	$\frac{1}{4} t_{inst} \times (M^2 \times N^3 + 8) + 20$	ns	At master mode
Start condition detect	t _{STA}	SCL SDA	$\frac{1}{4} t_{inst} \times 6 + 40$	—	ns	
Stop condition detect	t _{STO}	SCL SDA	$\frac{1}{4} t_{inst} \times 6 + 40$	—	ns	
Re-start condition output	t _{STASU}	SCL SDA	$\frac{1}{4} t_{inst} \times (M \times N + 8) - 20$	$\frac{1}{4} t_{inst} \times (M \times N + 8) + 20$	ns	At master mode
Re-start condition detect	t _{STASU}	SCL SDA	$\frac{1}{4} t_{inst} \times 4 + 40$	—	ns	
SCL output LOW width	t _{LOW}	SCL	$\frac{1}{4} t_{inst} \times M \times N - 20$	$\frac{1}{4} t_{inst} \times M \times N + 20$	ns	At master mode
SCL output HIGH width	t _{HIGH}	SCL	$\frac{1}{4} t_{inst} \times (M \times N + 8) - 20$	$\frac{1}{4} t_{inst} \times (M \times N + 8) + 20$	ns	At master mode
SDA output delay	t _{DO}	SDA	$\frac{1}{4} t_{inst} \times 4 - 20$	$\frac{1}{4} t_{inst} \times 4 + 20$	ns	
SDA output setup time after interrupt	t _{DOSU}	SDA	$\frac{1}{4} t_{inst} \times 4 - 20$	—	ns	*4
SCL input LOW pulse width	t _{LOW}	SCL	$\frac{1}{4} t_{inst} \times 6 + 40$	—	ns	
SCL input HIGH pulse width	t _{HIGH}	SCL	$\frac{1}{4} t_{inst} \times 2 + 40$	—	ns	
SDA input setup time	t _{SU}	SDA	40	—	ns	
SDA hold time	t _{HO}	SDA	0	—	ns	

*1 : For information in t_{inst}, see “ (4) Instruction Cycle”.

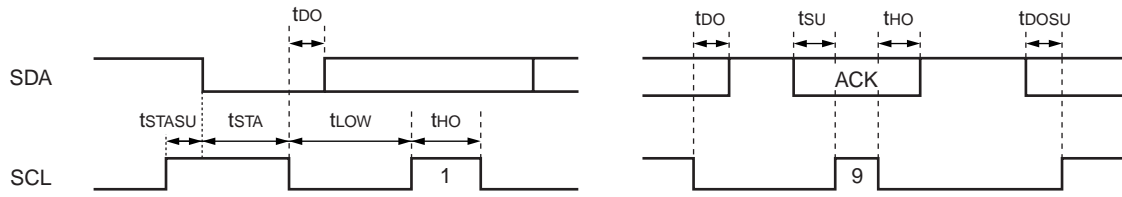
*2 : M is defined in the I²C clock control register ICCR bit 4 and bit 3 (CS4 and CS3). For details, please refer to the H/W manual register explanation.

*3 : N is defined in the I²C clock control register ICCR bit 2 to bit 0 (CS2 to CS0).

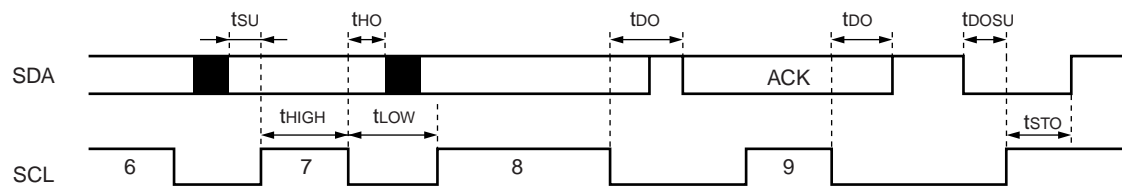
*4 : When the interrupt period is greater than SCL “L” width, SDA and SCL output (Standard) value is based on hypothesis when rising time is 0 ns.

MB89490 Series

Data transmit (master/slave)



Data receive (master/slave)

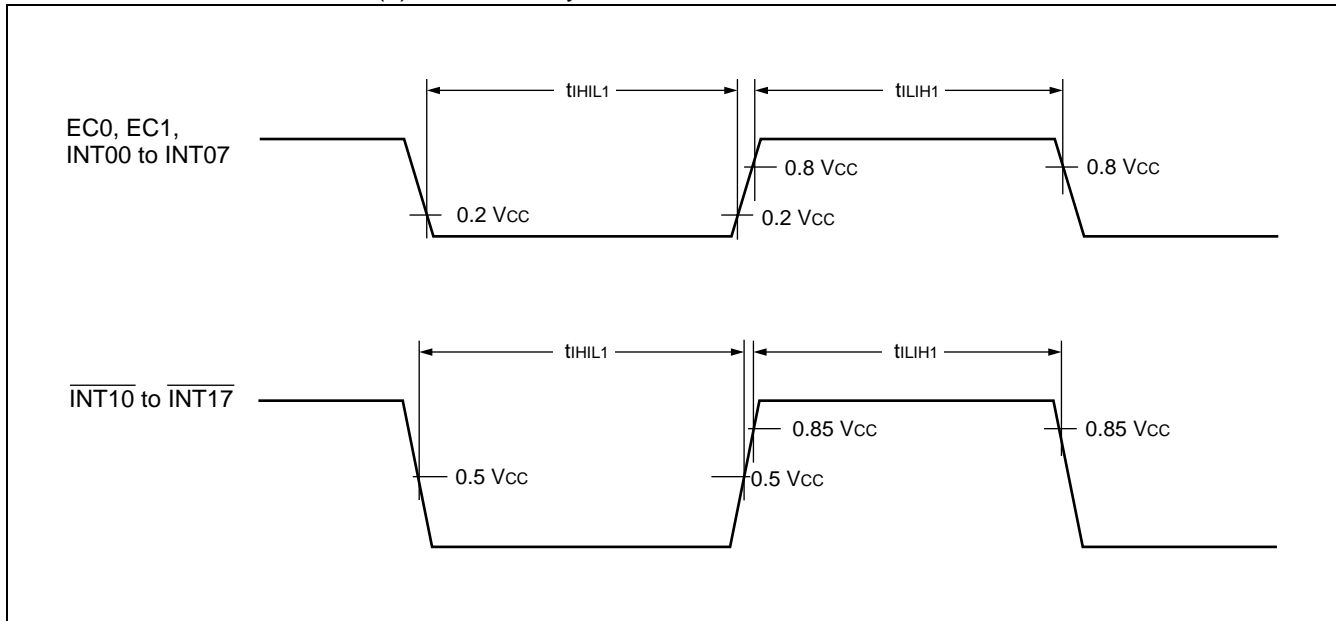


(7) Peripheral Input Timing

($AV_{CC} = V_{CC} = 3.0\text{ V}$, $AV_{SS} = V_{SS} = 0.0\text{ V}$, $T_A = -40\text{ }^{\circ}\text{C}$ to $+85\text{ }^{\circ}\text{C}$)

Parameter	Symbol	Pin	Value		Unit	Remarks
			Min	Max		
Peripheral input "H" pulse width 1	t_{LIH1}	EC0, EC1, INT00 to INT07, $\overline{\text{INT10}}$ to $\overline{\text{INT17}}$	$2 t_{inst}^*$	—	μS	
Peripheral input "L" pulse width 1	t_{HIL1}		$2 t_{inst}^*$	—	μS	

* : For information on t_{inst} , see "(4) Instruction Cycle."



MB89490 Series

5. A/D Converter Electrical Characteristics

(1) A/D Converter Electrical Characteristics

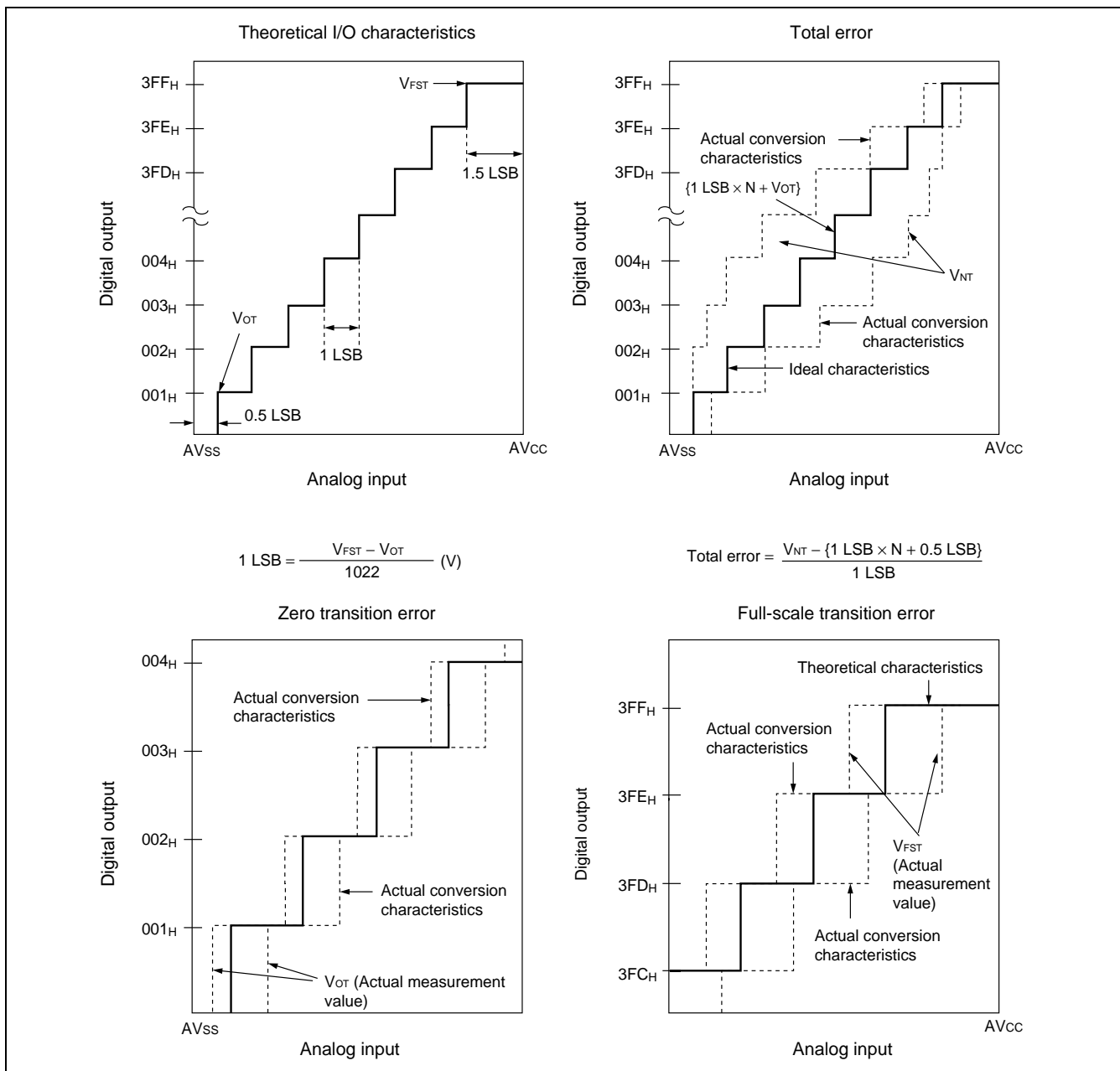
($AV_{CC} = V_{CC} = 2.7\text{ V to }3.6\text{ V}$, $AV_{SS} = V_{SS} = 0.0\text{ V}$, $T_A = -40\text{ }^\circ\text{C to }+85\text{ }^\circ\text{C}$)

Parameter	Symbol	Pin	Value			Unit	Remarks
			Min	Typ	Max		
Resolution	—	—	—	10	—	bit	
Total error			—	—	± 3.0	LSB	
Linearity error			—	—	± 2.5	LSB	
Differential linearity error			—	—	± 1.9	LSB	
Zero transition voltage	V_{OT}	—	$AV_{SS} - 1.5\text{ LSB}$	$AV_{SS} + 0.5\text{ LSB}$	$AV_{SS} + 2.5\text{ LSB}$	mV	
Full-scale transition voltage	V_{FST}		$AV_{CC} - 3.5\text{ LSB}$	$AV_{CC} - 1.5\text{ LSB}$	$AV_{CC} - 0.5\text{ LSB}$	mV	
A/D mode conversion time	—		$30\ t_{inst}^*$	—	—	μs	
Analog port input current	I_{AIN}	AN0 to AN7	—	—	10	μA	
Analog input voltage	V_{AIN}	AN7	AV_{SS}	—	AVR	V	
Reference voltage	—	AVR	$AV_{SS} + 2.7$	—	AV_{CC}	V	
Reference voltage supply current	I_R		—	95.0	170.0	μA	A/D is activated
	I_{RH}		—	—	4.0	μA	A/D is stopped

* : For information on t_{inst} , see “ (4) Instruction Cycle” in “4. AC Characteristics”.

(2) A/D Converter Glossary

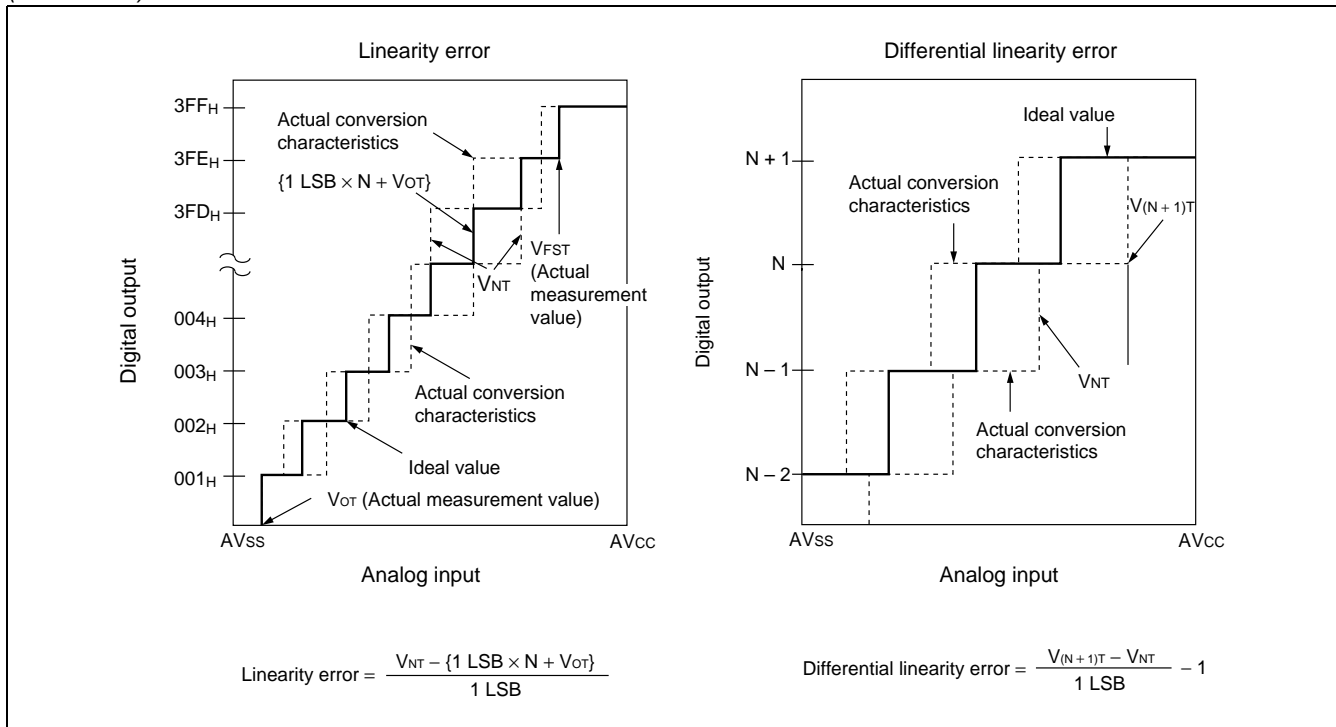
- Resolution
Analog changes that are identifiable with the A/D converter.
When the number of bits is 10, analog voltage can be divided into $2^{10} = 1024$.
- Linearity error (unit : LSB)
The deviation of the straight line connecting the zero transition point ("00 0000 0000" ↔ "00 0000 0001") with the full-scale transition point ("11 1111 1111" ↔ "11 1111 1110") from actual conversion characteristics.
- Differential linearity error (unit : LSB)
The deviation of input voltage needed to change the output code by 1 LSB from the theoretical value.
- Total error (unit : LSB)
The difference between theoretical and actual conversion values.



(Continued)

MB89490 Series

(Continued)

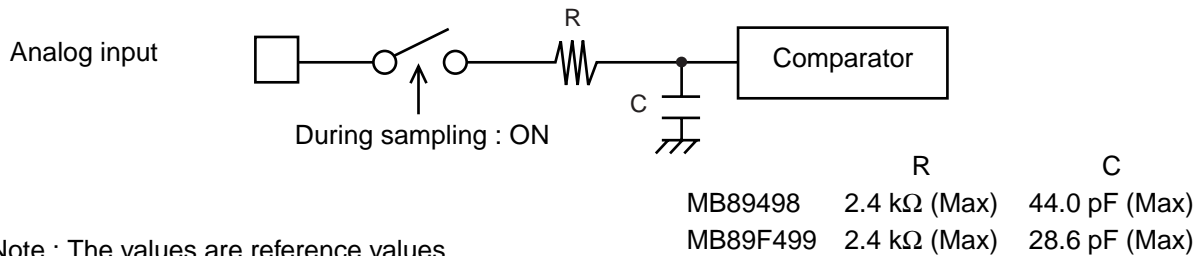


(3) Notes on Using A/D Converter

• About the external impedance of the analog input and its sampling time

- A/D converter with sample and hold circuit. If the external impedance is too high to keep sufficient sampling time, the analog voltage charged to the internal sample and hold capacitor is insufficient, adversely affecting A/D conversion precision.

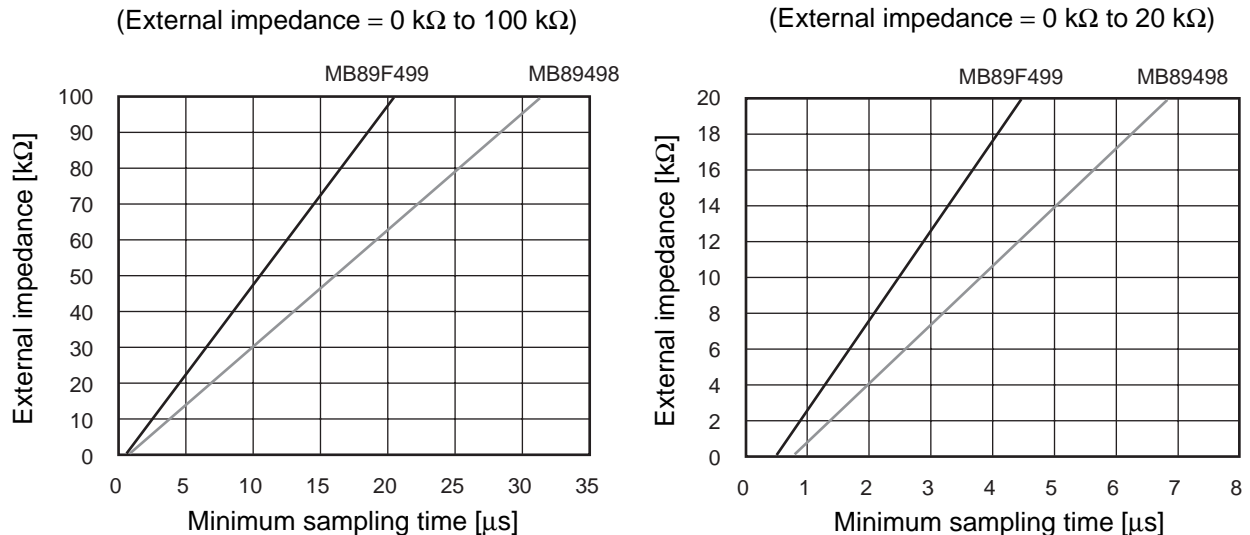
• Analog input circuit model



Note : The values are reference values.

- To satisfy the A/D conversion precision standard, consider the relationship between the external impedance and minimum sampling time and either adjust the resistor value and operating frequency or decrease the external impedance so that the sampling time is longer than the minimum value.

• The relationship between external impedance and minimum sampling time

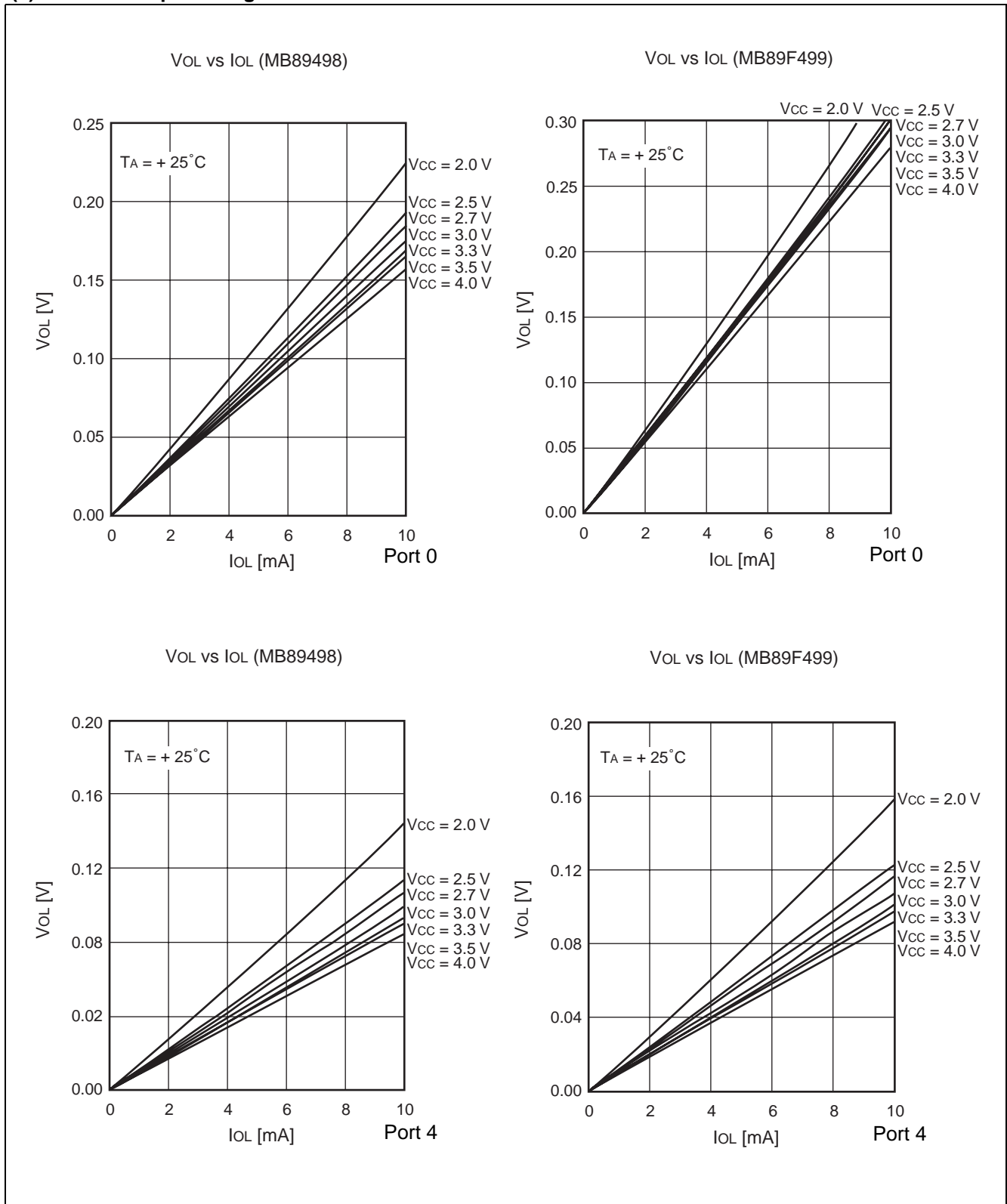


- If the sampling time cannot be sufficient, connect a capacitor of about 0.1 μF to the analog input pin.
- About errors
As $|AVRH - AV_{SS}|$ becomes smaller, values of relative errors grow larger.

MB89490 Series

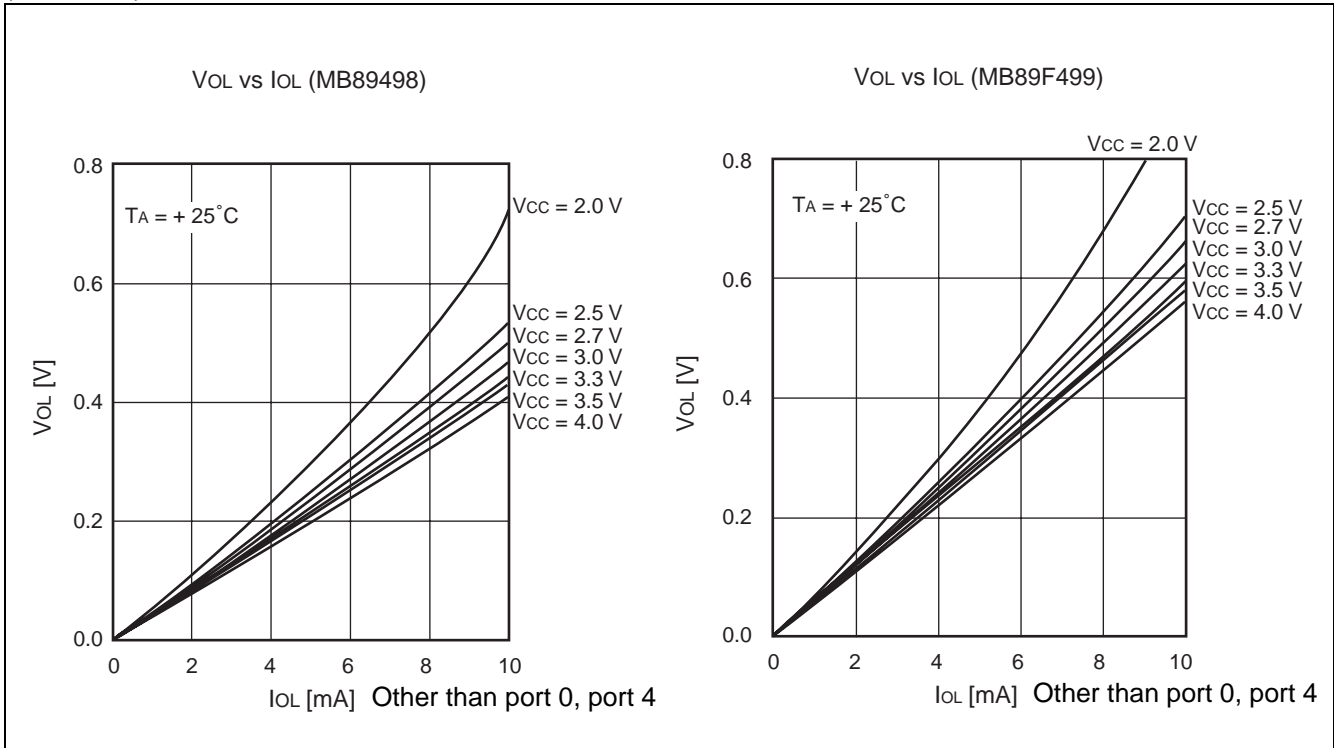
EXAMPLE CHARACTERISTICS

(1) "L" level output voltage

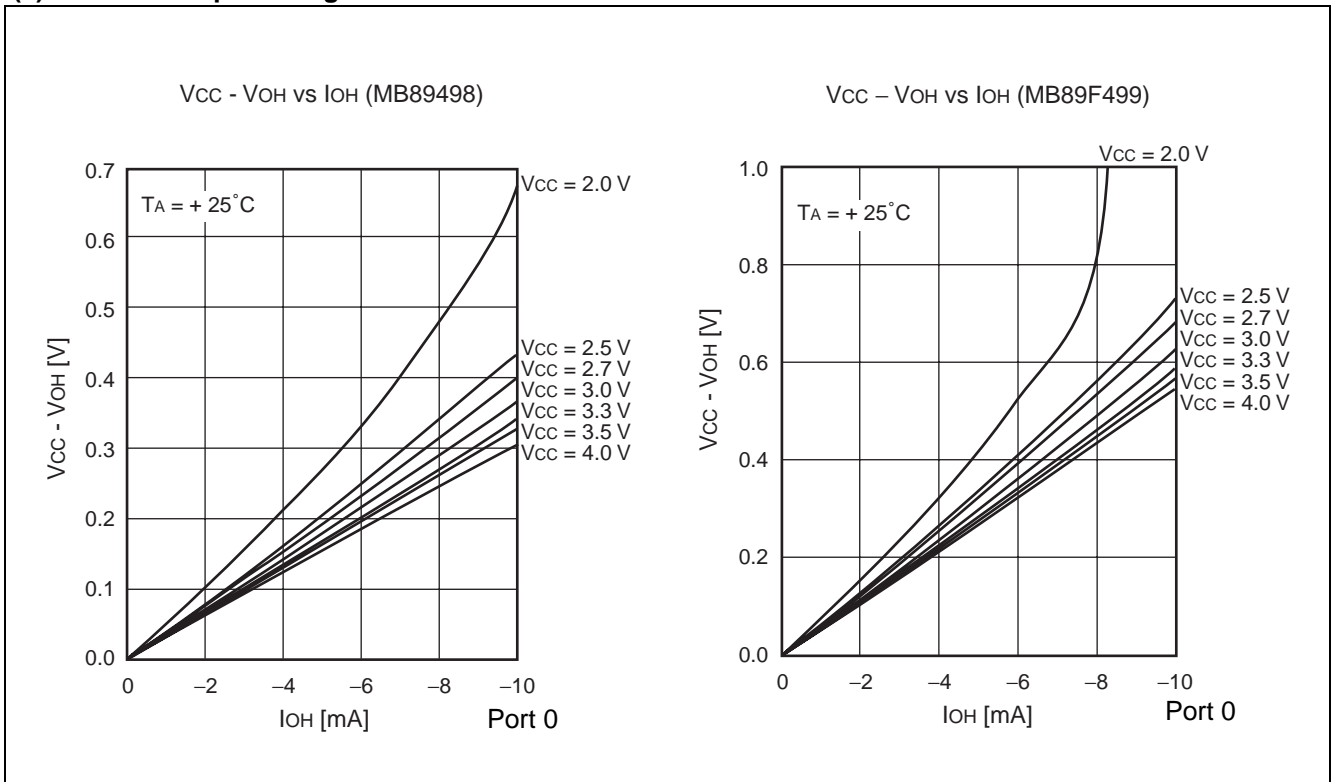


(Continued)

(Continued)



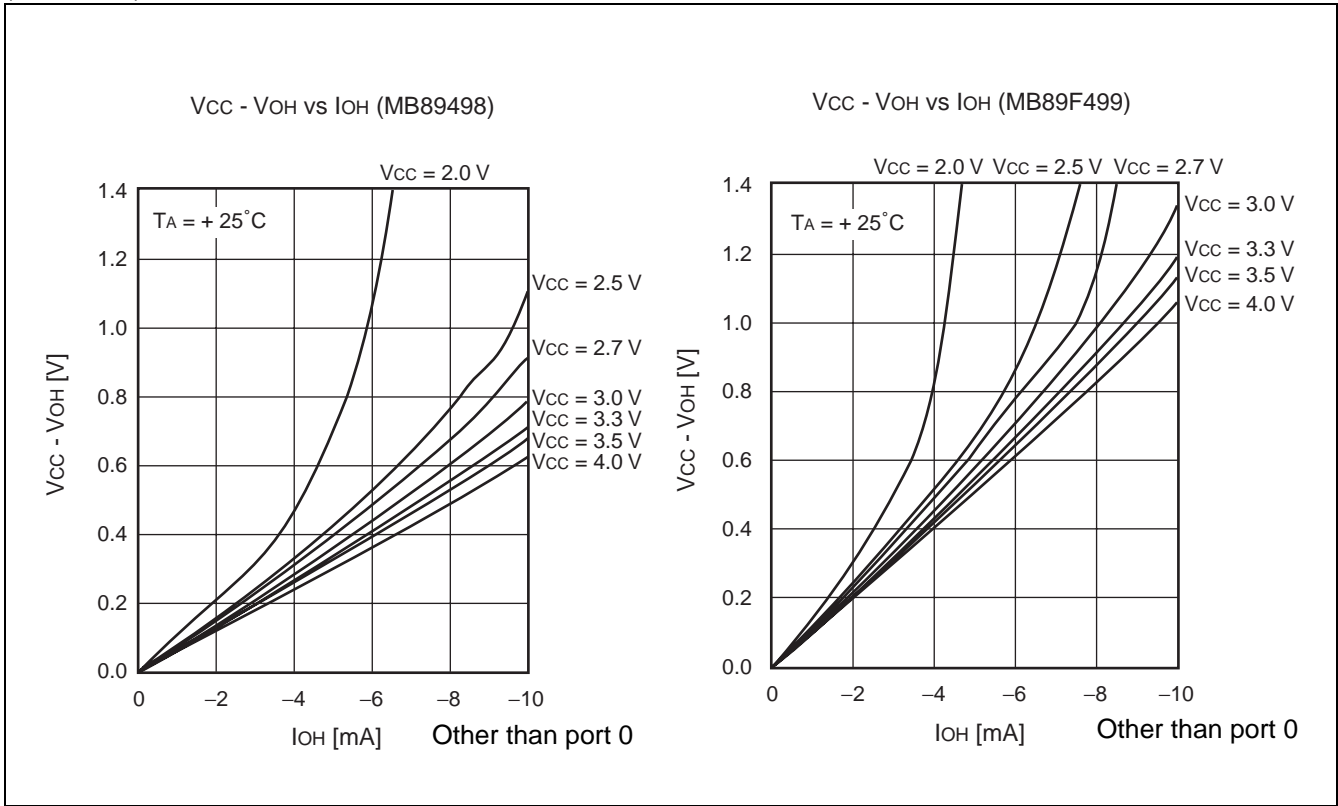
(2) "H" level output voltage



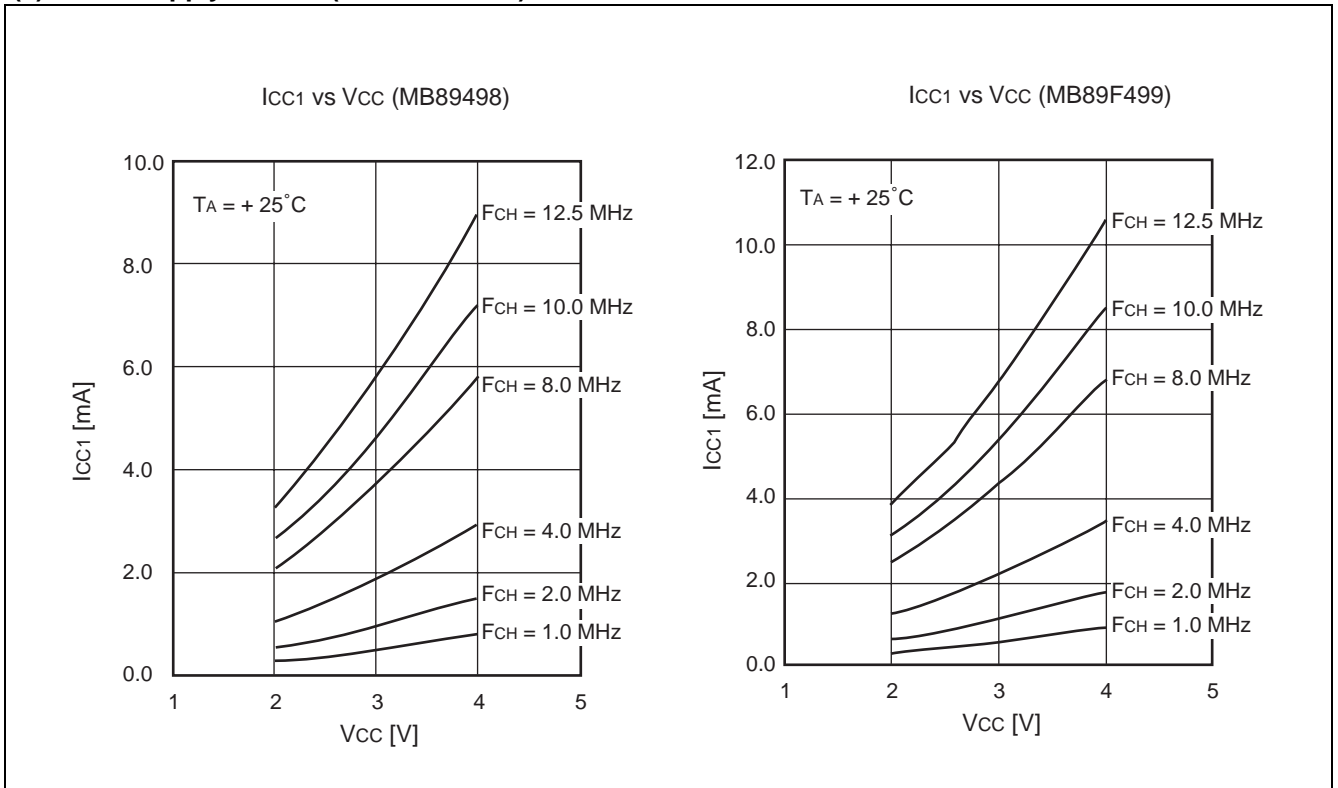
(Continued)

MB89490 Series

(Continued)

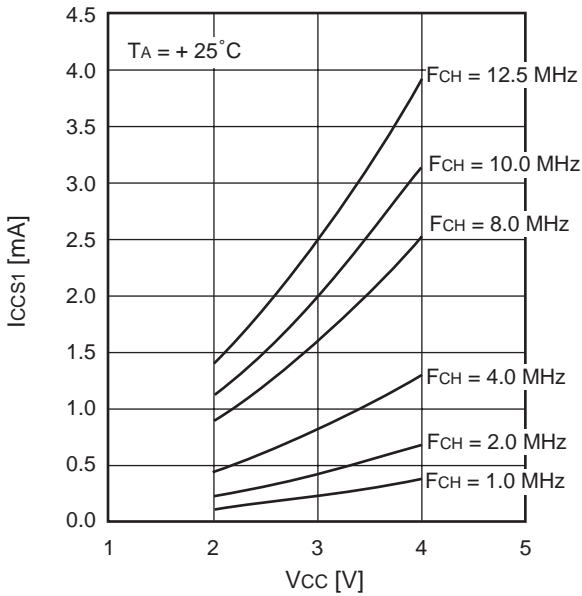


(3) Power supply current (External clock)

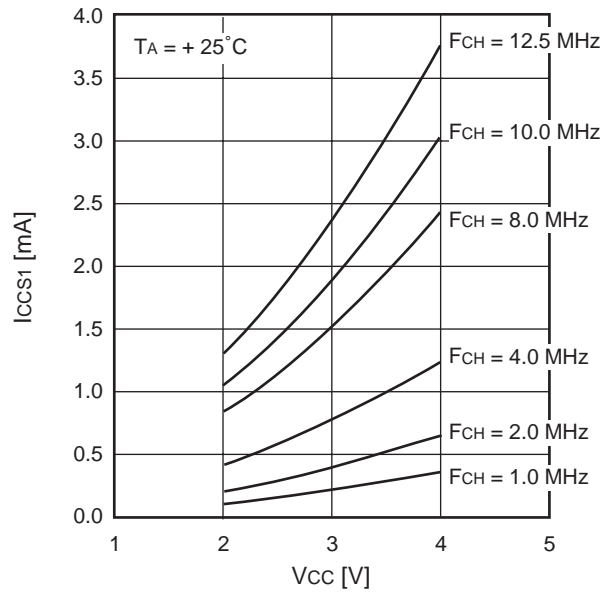


(Continued)

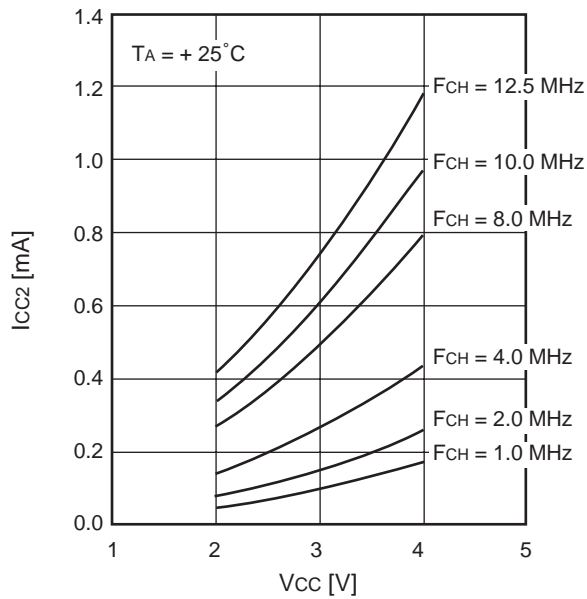
ICCS1 vs VCC (MB89498)



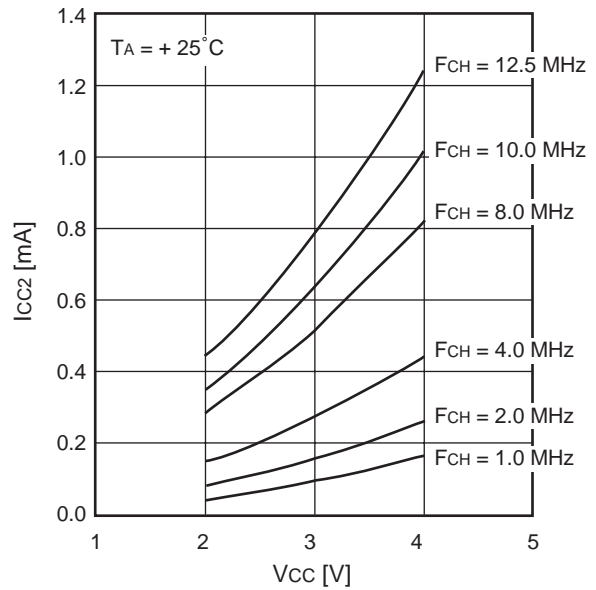
ICCS1 vs VCC (MB89F499)



ICC2 vs VCC (MB89498)



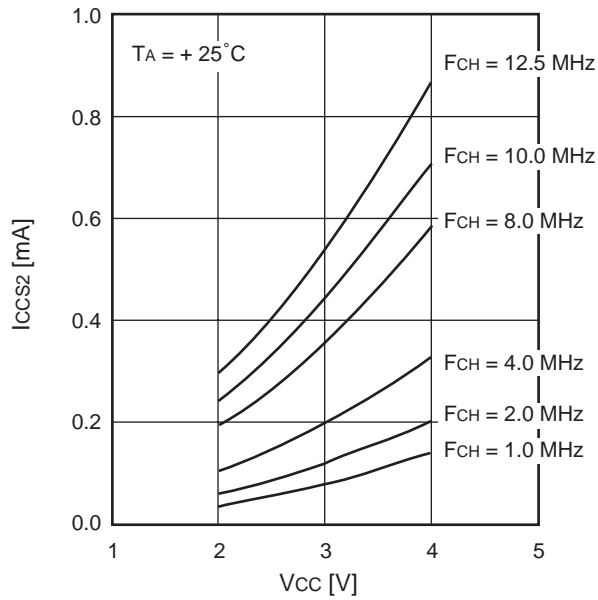
ICC2 vs VCC (MB89F499)



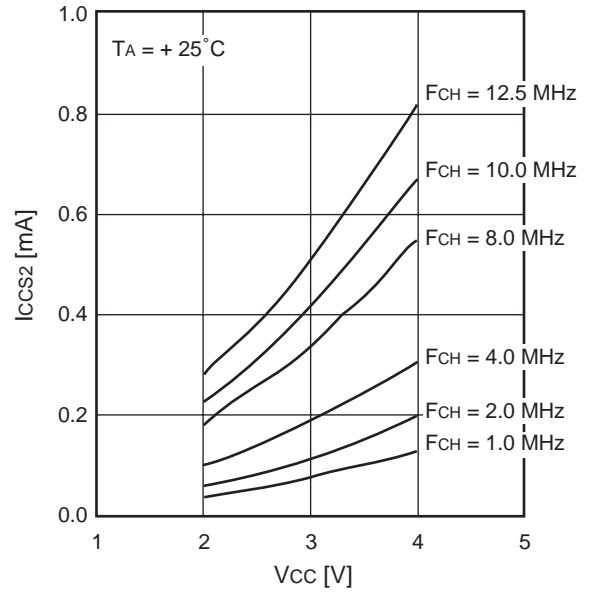
(Continued)

MB89490 Series

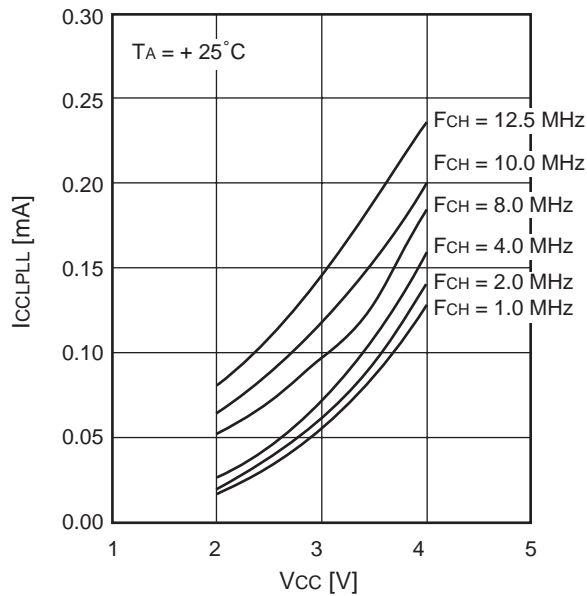
I_{CCS2} vs V_{CC} (MB89498)



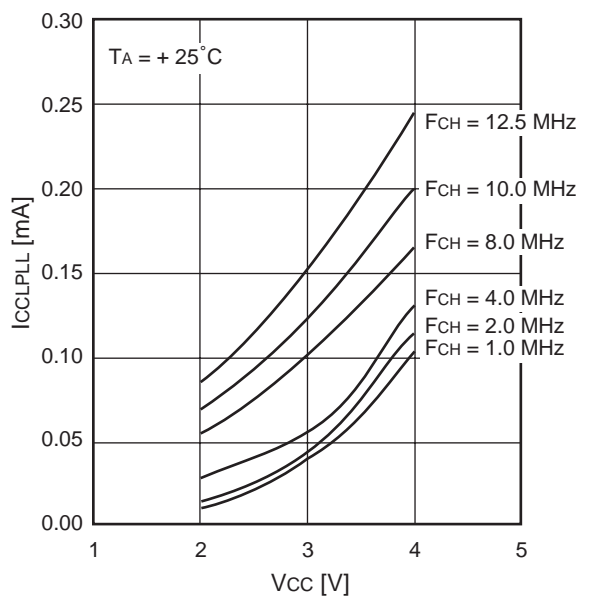
I_{CCS2} vs V_{CC} (MB89F499)



I_{CCPLL} vs V_{CC} (MB89498)

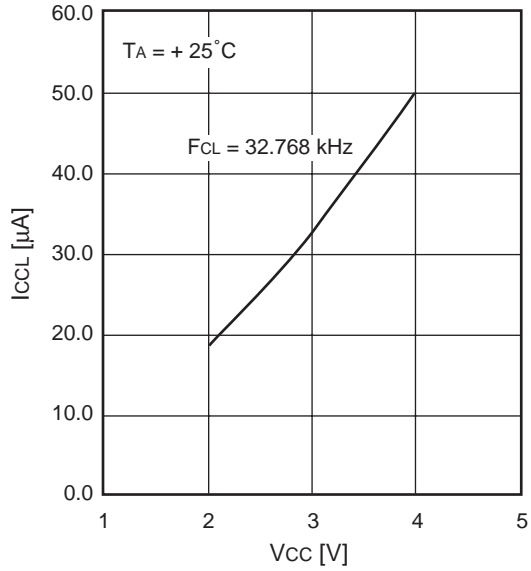


I_{CCPLL} vs V_{CC} (MB89F499)

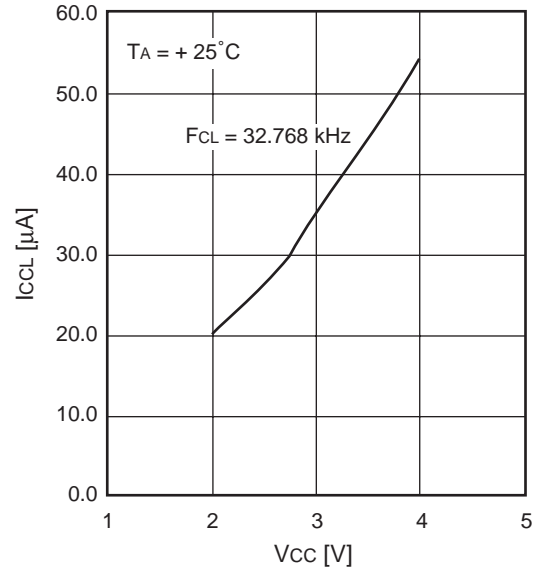


(Continued)

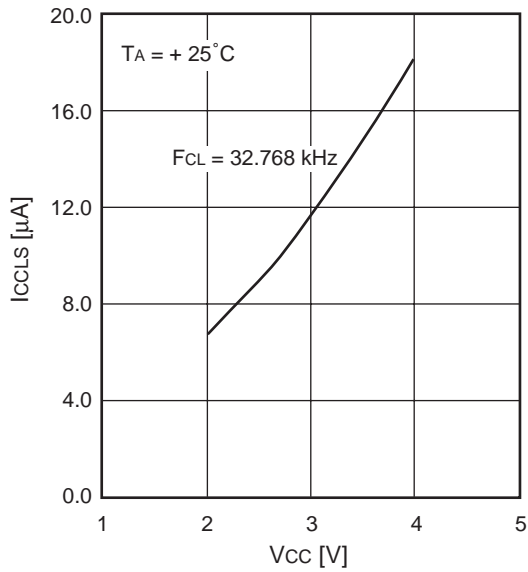
I_{CCL} vs V_{CC} (MB89498)



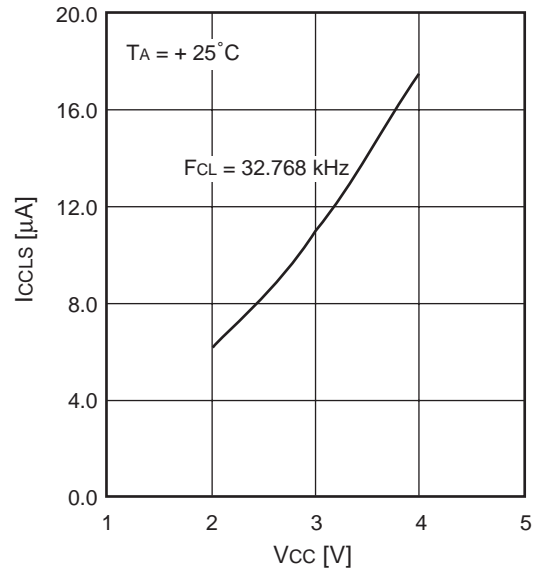
I_{CCL} vs V_{CC} (MB89F499)



I_{CCLS} vs V_{CC} (MB89498)



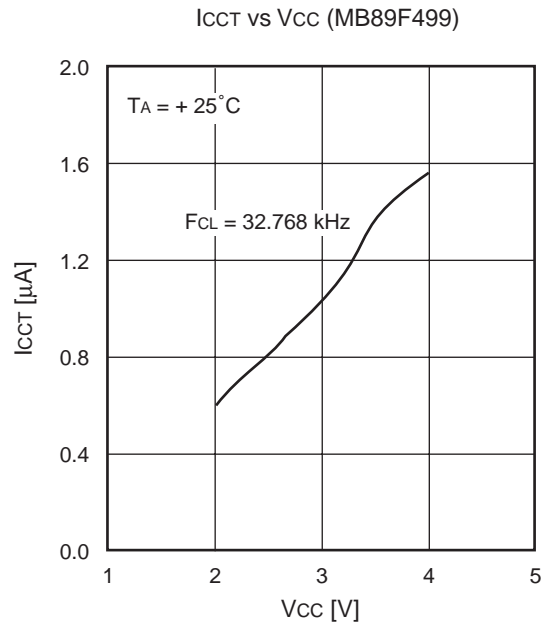
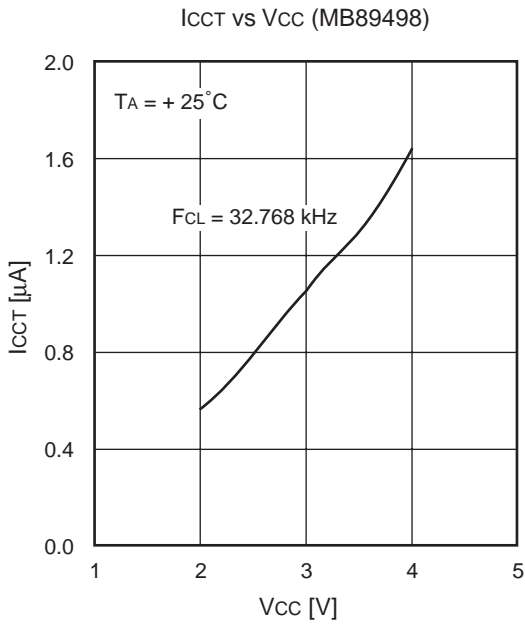
I_{CCLS} vs V_{CC} (MB89F499)



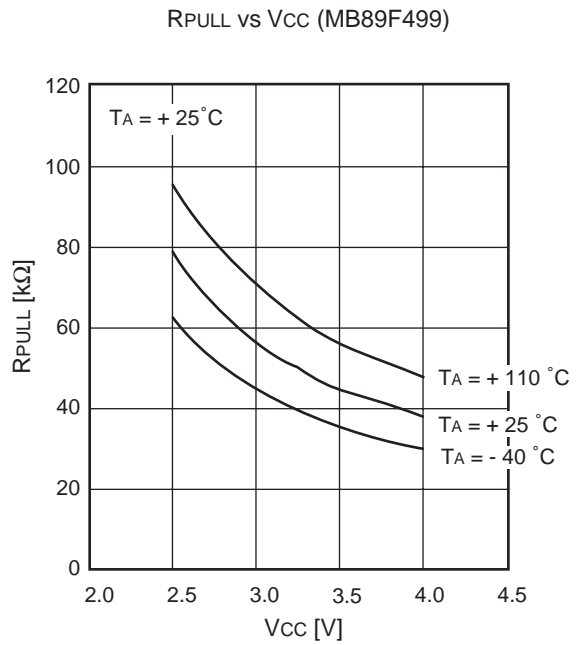
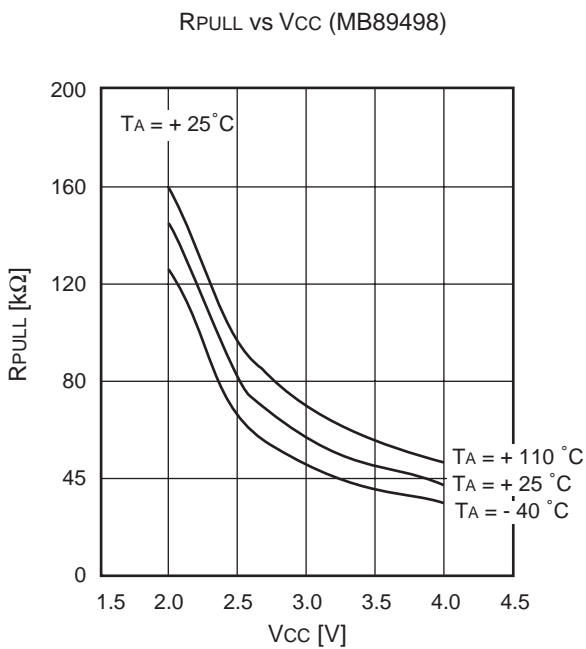
(Continued)

MB89490 Series

(Continued)



(4) Pull-up resistance



MB89490 Series

■ MASK OPTIONS

Part number	MB89498	MB89F499	MB89PV490
Specifying procedure	Specify when ordering mask	Setting not possible	
Main clock oscillation stabilization time selection $2^{10}/F_{CH}$ $2^{14}/F_{CH}$ $2^{18}/F_{CH}$	Selectable	Fixed to oscillation stabilization wait time of $2^{18}/F_{CH}$	

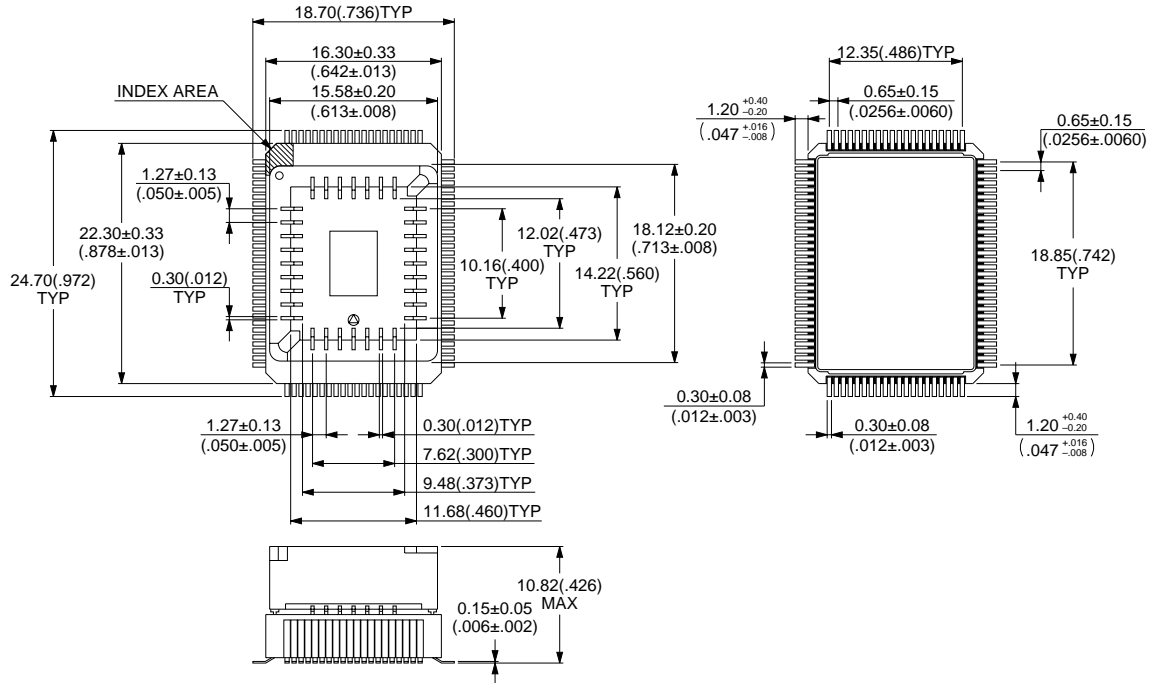
■ ORDERING INFORMATION

Part number	Package	Remarks
MB89498PF MB89F499PF	100-pin Plastic QFP (FPT-100P-M06)	
MB89498PFV MB89F499PFV	100-pin Plastic LQFP (FPT-100P-M05)	
MB89PV490CF	100-pin Ceramic MQFP (MQP-100C-P01)	

MB89490 Series

■ PACKAGE DIMENSIONS

100-pin Ceramic MQFP
(MQP-100C-P01)



© 1994 FUJITSU LIMITED M100001SC-1-2

Dimensions in mm (inches) .

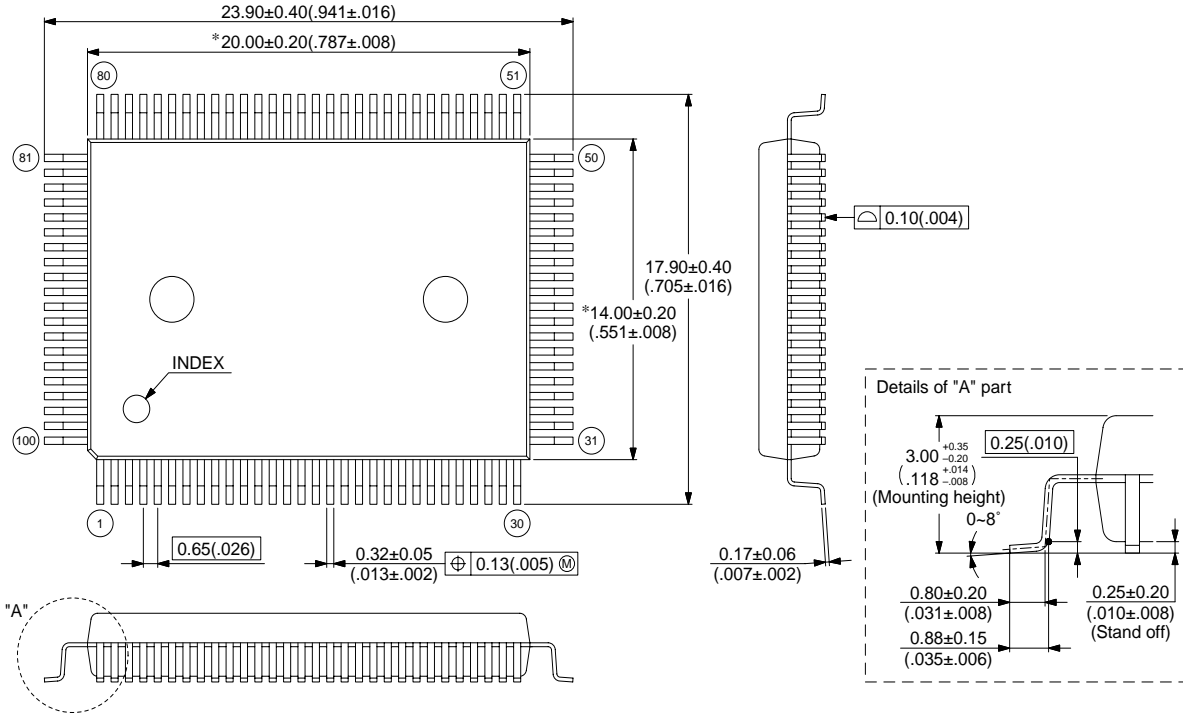
Note : The values in parentheses are reference values.

(Continued)

MB89490 Series

100-pin Plastic QFP
(FPT-100P-M06)

Note 1) * : These dimensions do not include resin protrusion.
 Note 2) Pins width and pins thickness include plating thickness.
 Note 3) Pins width do not include tie bar cutting remainder.



© 2002 FUJITSU LIMITED F100008S-c-5-5

Dimensions in mm (inches) .

Note : The values in parentheses are reference values.

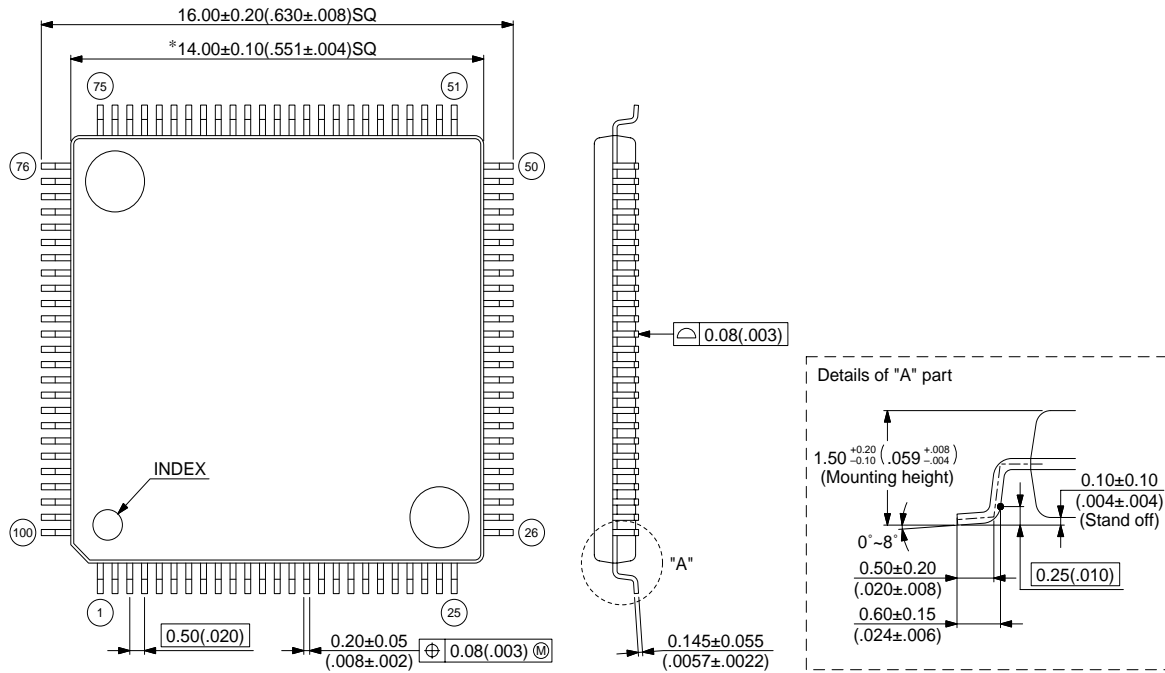
(Continued)

MB89490 Series

(Continued)

100-pin Plastic LQFP
(FPT-100P-M05)

Note 1) * : These dimensions do not include resin protrusion.
 Note 2) Pins width and pins thickness include plating thickness.
 Note 3) Pins width do not include tie bar cutting remainder.



© 2003 FUJITSU LIMITED F100007S-c-4-6

Dimensions in mm (inches) .
 Note : The values in parentheses are reference values.

FUJITSU LIMITED

All Rights Reserved.

The contents of this document are subject to change without notice. Customers are advised to consult with FUJITSU sales representatives before ordering.

The information, such as descriptions of function and application circuit examples, in this document are presented solely for the purpose of reference to show examples of operations and uses of Fujitsu semiconductor device; Fujitsu does not warrant proper operation of the device with respect to use based on such information. When you develop equipment incorporating the device based on such information, you must assume any responsibility arising out of such use of the information. Fujitsu assumes no liability for any damages whatsoever arising out of the use of the information.

Any information in this document, including descriptions of function and schematic diagrams, shall not be construed as license of the use or exercise of any intellectual property right, such as patent right or copyright, or any other right of Fujitsu or any third party or does Fujitsu warrant non-infringement of any third-party's intellectual property right or other right by using such information. Fujitsu assumes no liability for any infringement of the intellectual property rights or other rights of third parties which would result from the use of information contained herein.

The products described in this document are designed, developed and manufactured as contemplated for general use, including without limitation, ordinary industrial use, general office use, personal use, and household use, but are not designed, developed and manufactured as contemplated (1) for use accompanying fatal risks or dangers that, unless extremely high safety is secured, could have a serious effect to the public, and could lead directly to death, personal injury, severe physical damage or other loss (i.e., nuclear reaction control in nuclear facility, aircraft flight control, air traffic control, mass transport control, medical life support system, missile launch control in weapon system), or (2) for use requiring extremely high reliability (i.e., submersible repeater and artificial satellite).

Please note that Fujitsu will not be liable against you and/or any third party for any claims or damages arising in connection with above-mentioned uses of the products.

Any semiconductor devices have an inherent chance of failure. You must protect against injury, damage or loss from such failures by incorporating safety design measures into your facility and equipment such as redundancy, fire protection, and prevention of over-current levels and other abnormal operating conditions.

If any products described in this document represent goods or technologies subject to certain restrictions on export under the Foreign Exchange and Foreign Trade Law of Japan, the prior authorization by Japanese government will be required for export of those products from Japan.