

# PPC

## PPC-7505

### With Pentium® M Solution 15" Panel PC

#### Features and Benefits:

- Supports Intel® Pentium® M / Celeron® M CPU up to 1.8 GHz
- Intel® 855GME Chipset
- Low power consumption and economical solution
- Compact size with high performance
- High speed Gigabit LAN
- On-board IDE interface, Type II CompactFlash slot
- High precision touchscreen
- Optional PCI Expansion slot (1 or 3 slots)



**PROTECH SYSTEMS**

*It's the right choice*

No. 24, Lane 365, Yang Guang St., Nei Hu District, Taipei 114, Taiwan, R.O.C.

Tel: +886-2-8751-1111

Fax: +886-2-8751-1199

Email: sales@protech.com.tw

http://www.protech.com.tw



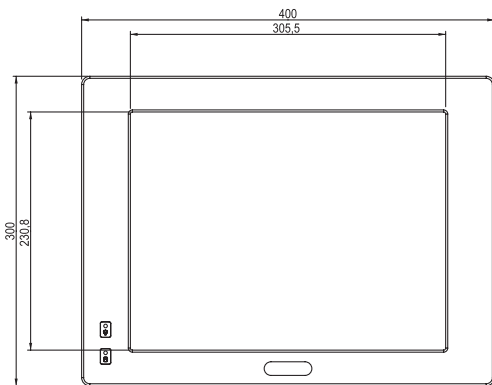
**ISO CERTIFIED**

**9001 | 14001**

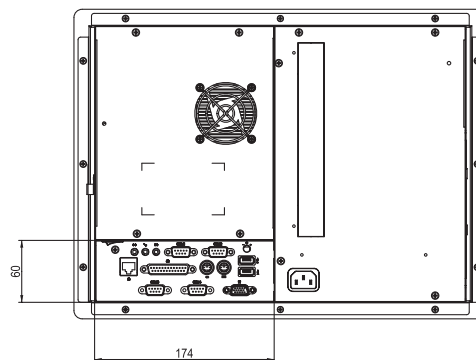
# PPC-7505

With Pentium® M 15" Panel PC

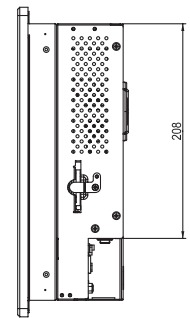
Front View



Rear View



Side View



Unit: mm

## Specification

Systems	
<b>CPU Support</b>	Intel® Pentium® M / Celeron® M up to 1.8GHz
<b>Memory Support</b>	1 x 200pin DDR SO-DIMM, support DDR 333 SDRAM up to 1GB
<b>Front Bazel</b>	Aluminum
<b>IP65/NEMA4</b>	Yes
<b>Power Supply</b>	AC 110W power supply
<b>O.S. Support</b>	Win 98SE/2000/XP/CE.net, Linux Redhat 8.0/9.0
<b>Dimension (WxHxD)</b>	400 x 300 x 99 mm (15.6" x 11.7" x 3.89")
<b>System Weight</b>	9 Kg (20.9lb)
<b>VESA Mounting Support</b>	75mm / 100mm VESA bracket (optional)
<b>Certificate</b>	CE / FCC

## I/O Ports

<b>USB</b>	2 x USB2.0
<b>KB / Mouse</b>	2
<b>Audio</b>	Line in / Line out / MIC in
<b>Parallel</b>	1 x parallel port (SPP / EPP / ECP)
<b>Serial Port</b>	4 x COMs, COM1 supports +5V or +12V, COM2 for RS232/422/485, COM 2/3/4 supports +5V only

<b>LAN</b>	10/100/1000 Mbps
<b>VGA</b>	1
<b>Brightness Control</b>	VR on rear panel
<b>Drive Bay</b>	1 x 2.5" HDD, 1 x IDE CF slot on board, 1 x Slim CD-ROM (optional)
<b>Expansion Slots</b>	1 x PCI or 3 x PCI slot (optional)

## Display

<b>LCD</b>	15" XGA TFT LCD (1024 x 768)
<b>Touch Screen</b>	7W Analog resistive (USB interface)

## Environment

<b>Operating Temp.</b>	0° ~ 40°C
<b>Storage Temp.</b>	-20° ~ 60°C
<b>Humidity</b>	20% ~ 90%

## Ordering

<b>PPC-7505</b>	Panel PC with 15" LCD, S478 Pentium M CPU board, resistive touchscreen, 110W AC power supply
<b>PPC-7500-1P</b>	1 x PCI riser card for PPC-7505/7507
<b>PPC-7500-3P</b>	3 x PCI riser card for PPC-7505/7507
<b>PPC-VESAKIT</b>	VESA bracket

All of trademarks and brand names are the property of their owners. Trademark "Protech" is the property of Protech Systems Co., Ltd. All information contained in this document is subject to change without any prior notice. This catalog is copyrighted in MAR, 2007.