

PLEASE CHECK WWW.MOLEX.COM FOR LATEST PART INFORMATION

Part Number: [0761000001](#)
Status: **Obsolete**
Overview: [sfp_stacked_multiport_connectors](#)
Description: Small Form-factor Pluggable Plus (SFP+) Stacked 2-by-1 Multi-Port Press Fit Connector without Lightpipe Ports, Elastomeric Gasket, 40 Circuits, Tin (Sn)/Lead(Pb) Tails

Documents:
[Drawing \(PDF\)](#)

Agency Certification

CSA	LR19980
UL	E29179

General

Product Family	I/O Connectors
Series	76100
Application	Module-to-Board
Component Type	Receptacle
Overview	sfp_stacked_multiport_connectors
Product Name	SFP Plus
Type	N/A

Physical

Boot Color	N/A
Circuits (Loaded)	40
Circuits (maximum)	40
Circuits Detail	40
Durability (mating cycles max)	100
Flammability	94V-0
Gender	Female
Keying to Mating Part	None
Lock to Mating Part	Yes
Material - Plating Mating	Gold
Number of Rows	2
Orientation	Right Angle
PC Tail Length (in)	0.081 In
PC Tail Length (mm)	2.07 mm
PCB Locator	Yes
PCB Retention	Yes
PCB Thickness Recommended (in)	0.062 In
PCB Thickness Recommended (mm)	1.57 mm
Packaging Type	Tray
Panel Mount	No
Pitch - Mating Interface (in)	0.031 In
Pitch - Mating Interface (mm)	0.80 mm
Pitch - Term. Interface (in)	0.031 In
Pitch - Term. Interface (mm)	0.80 mm
Polarized to Mating Part	Yes
Polarized to PCB	Yes
Ports	2
Surface Mount Compatible (SMC)	Yes
Temperature Range - Operating	-40°C to +85°C
Termination Interface: Style	Through Hole - Compliant Pin
Waterproof / Dustproof	No

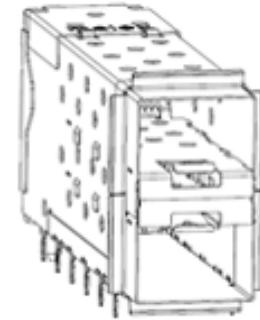


image - Reference only

Series

EU RoHS

RoHS Compliant by Exemption

REACH SVHC

Not Reviewed

Halogen-Free

Status

Not Reviewed

China RoHS



Need more information on product environmental compliance?

Email productcompliance@molex.com
 For a multiple part number RoHS Certificate of Compliance, [click here](#)

Please visit the [Contact Us](#) section for any non-product compliance questions.

Search Parts in this Series

[76100Series](#)

Use With

[0759510999 SFP Dust Plug](#),

Application Tooling | FAQ

Tooling specifications and manuals are found by selecting the products below. Crimp Height Specifications are then contained in the Application Tooling Specification document.

Global

Description	Product #
SFP Insertion Tool, 20622029910	
x 1 Medium	
SFP Extraction Tool, 0622029930	
2 x 1 Medium	

Electrical

Current - Maximum per Contact	0.5A
Grounding to Panel	None
Shield Type	EMI Gasket
Shielded	Yes
Voltage - Maximum	120V AC (RMS)/DC

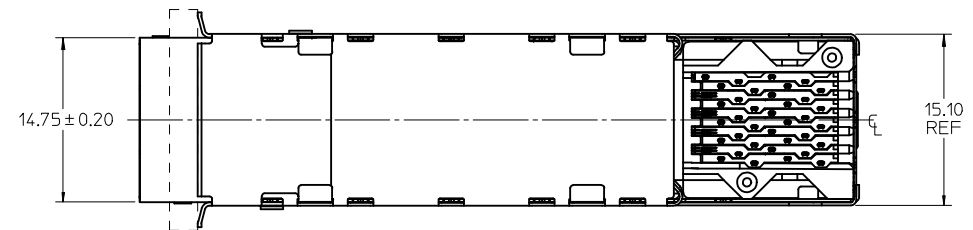
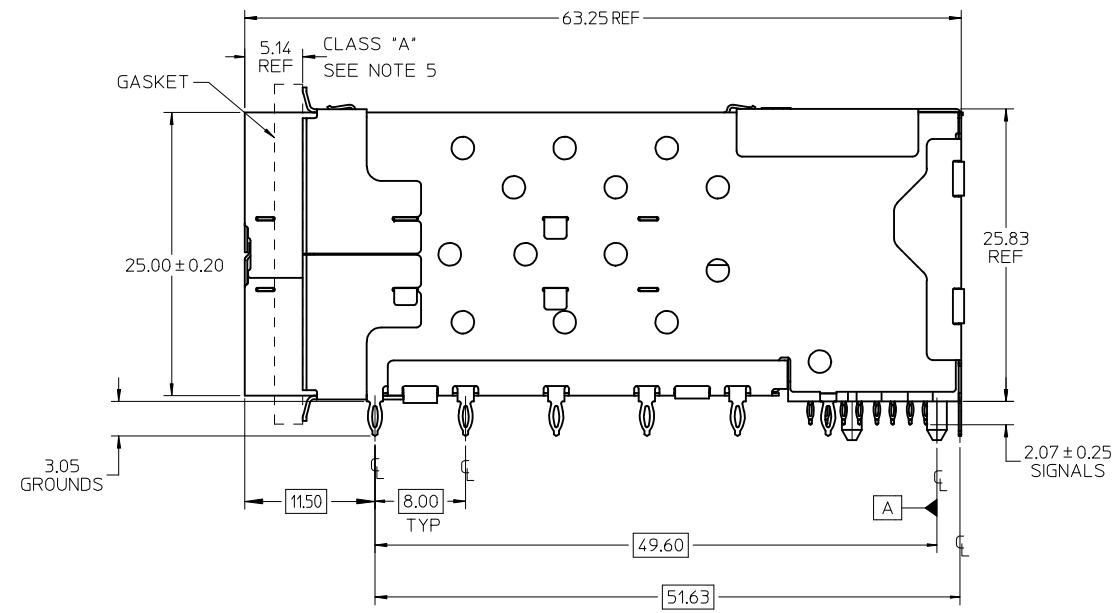
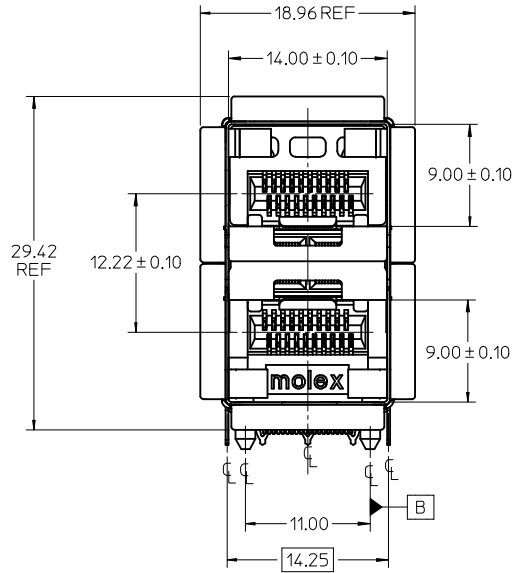
Material Info**Reference - Drawing Numbers**

Application Specification	AS-75310-001
Packaging Specification	PK-75462-001
Product Specification	PS-75310-001
Sales Drawing	SD-76100-001

This document was generated on 06/04/2010

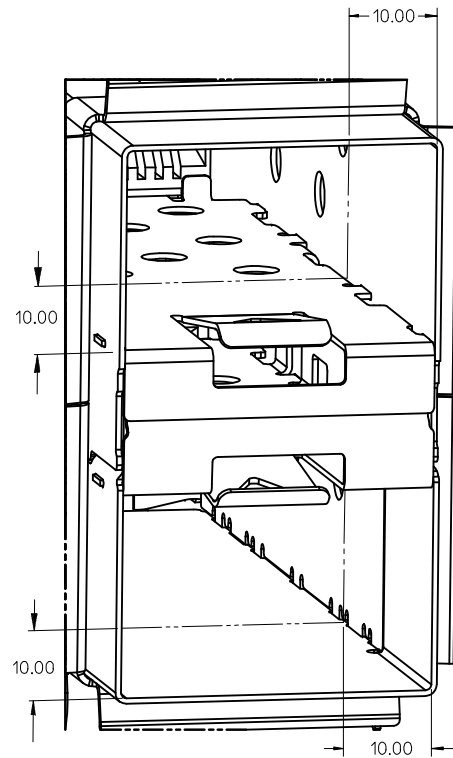
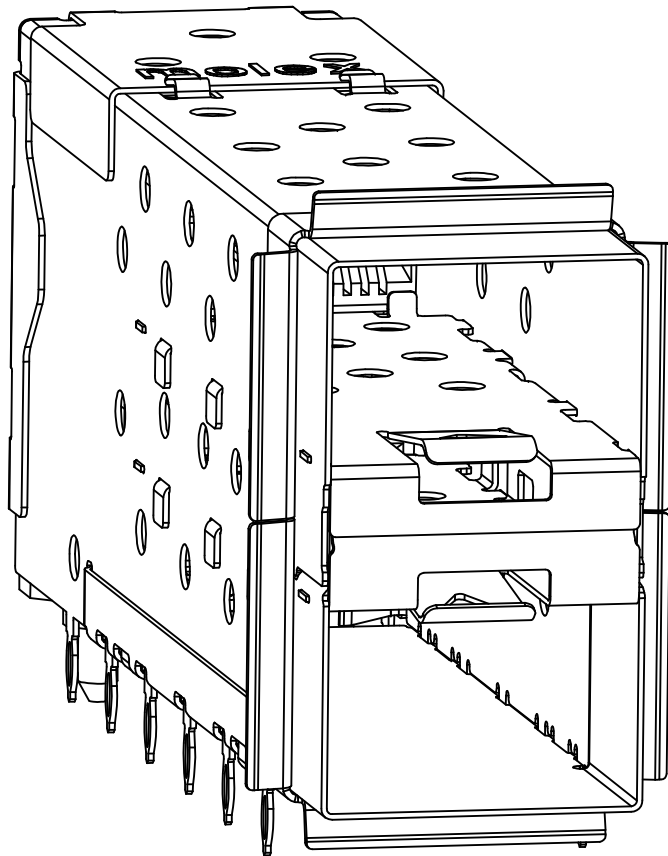
PLEASE CHECK WWW.MOLEX.COM FOR LATEST PART INFORMATION

76100	
PART NUMBER	COMPLIANT TAIL PLATING
761000001	TIN / LEAD
761005001	TIN



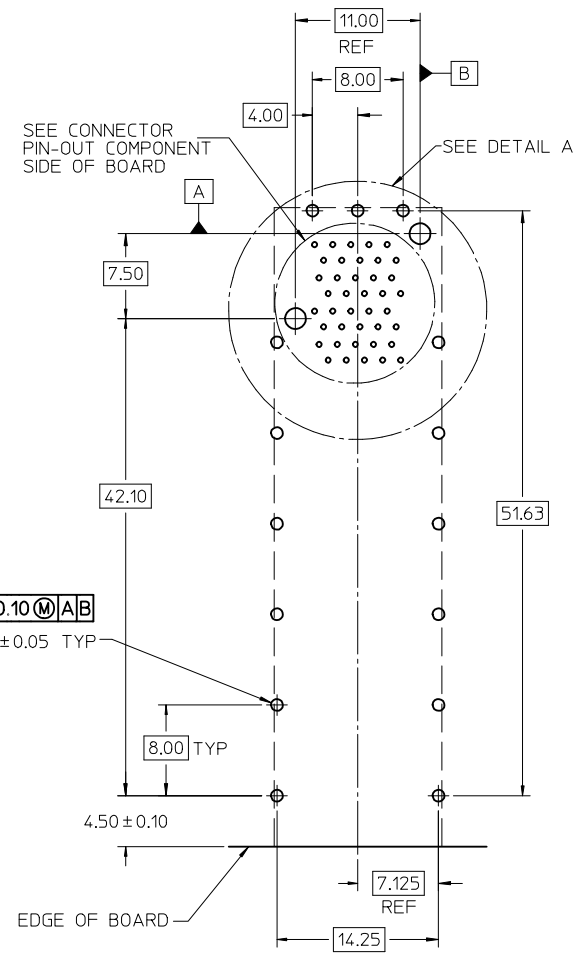
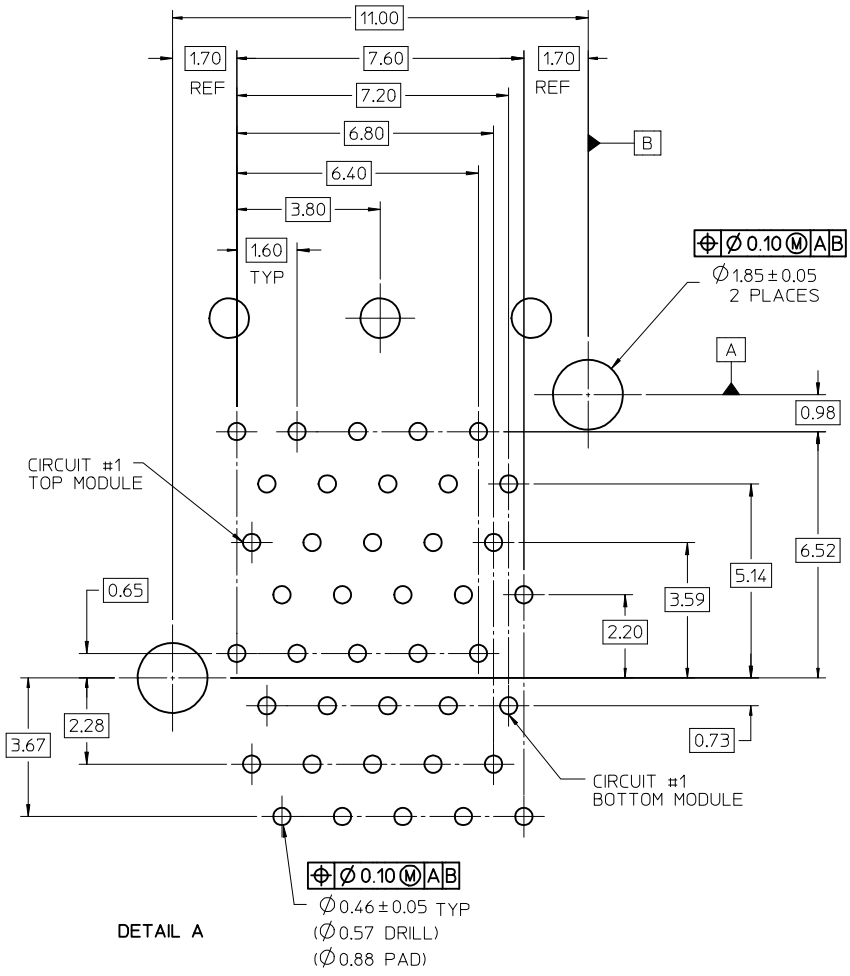
- NOTES
- MATERIAL:
 - EMI GASKET: CONDUCTIVE ELASTOMER
 - CAGE: NICKEL SILVER, THICKNESS: 0.25mm
 - CONNECTOR HOUSING: GLASS FILLED HIGH TEMP PLASTIC, COLOR: BLACK
 - OVERMOLDED TERMINAL HOUSING: GLASS FILLED HIGH TEMP PLASTIC, COLOR: BLACK
 - TERMINALS: BRASS
 - FINISH
 - TERMINALS: CONTACT AREA: 0.76 MICRONS MIN. HARD GOLD OVER 1.27 MICRONS MIN. NICKEL.
 - COMPLIANT TAIL - TIN/LEAD OPTION: 0.76 - 152 MICRONS 90/10 TIN/LEAD OVER 0.76 - 152 MICRONS NICKEL
 - COMPLIANT TAIL - TIN OPTION: 0.76 - 152 MICRONS TIN OVER 0.76 - 152 MICRONS NICKEL
 - EMI GASKET: SILVER
 - REFER TO PS-75310-001 PRODUCT SPEC FOR ALL ELECTRICAL, MECHANICAL, AND ENVIRONMENTAL SPECIFICATIONS.
 - REFER TO PK-75462-001 FOR ALL PACKAGING SPECIFICATIONS.
 - ALL EXTERIOR SURFACES TO BE CLASS *B* SURFACE EXCEPT THE UNDER SIDE OF THE CAGE WHERE THE PCB WOULD BE LOCATED AND AS NOTED. THE SURFACES TO CONFORM TO THE MOLEX COSMETIC DOC PS-45499-002.

REVISED DIMENSIONS	EC NO: UCP2009-0761	2008/09/29	QUALITY SYMBOLS	GENERAL TOLERANCES (UNLESS SPECIFIED)	SCALE	DESIGN UNITS	THIRD ANGLE PROJECTION	REVISE ON CAD ONLY	
	DRWN: JLONG	2008/09/29			3:1	METRIC			
	CHKD: MBANAKIS	2008/09/30			DIMENSION STYLE				TITLE
	APPR: MBANAKIS	2008/09/30			MM ONLY				
D	DESCRIPTION	4 PLACES ± --- ± ---	APPROVED BY	DATE	MATERIAL NO.	DOCUMENT NO.	SHEET NO.		
		3 PLACES ± --- ± ---	RNELSON	01-18-2007	SEE CHART	SD-76100-001	1 OF 4		
		2 PLACES ± 0.13 ± ---	DRAFT WHERE APPLICABLE		THIS DRAWING CONTAINS INFORMATION THAT IS PROPRIETARY TO MOLEX INCORPORATED AND SHOULD NOT BE USED WITHOUT WRITTEN PERMISSION				
		1 PLACE ± 0.25 ± ---	MUST REMAIN WITHIN DIMENSIONS						
		ANGULAR ± 5 °							

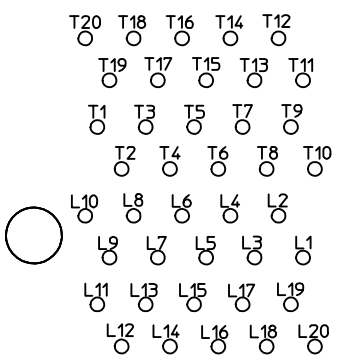


MODULE PORT DETAIL
 10.00MM AREA SETBACK IN CAGE IS TO BE FREE OF ANY HOLES, DIMPLES, SEAMS OR ANY OTHER FEATURES.
 (4 SIDES PER MODULE PORT)

SEE SHEET 1 EC NO: UCP2009-0761 DRWN: JLONG 2008/09/29 CHKD: 2008/09/29 APPR: MBANAKIS2008/09/30	QUALITY SYMBOLS ▽ - 0 ∇ - 0	GENERAL TOLERANCES (UNLESS SPECIFIED)		SCALE 3:1	DESIGN UNITS METRIC	THIRD ANGLE PROJECTION	REVISE ON CAD ONLY		
		4 PLACES ± --- ± ---	3 PLACES ± --- ± ---	DIMENSION STYLE MM ONLY	TITLE STACKED SFP+ 2X1 ASS'Y WITH ELASTOMERIC GASKET				
		2 PLACES ± 0.13 ± ---	1 PLACE ± 0.25 ± ---	DRAWN BY JJANTELEZ CHECKED BY MSANDBERG DATE 01-18-2007	MOLEX INCORPORATED				
		ANGULAR ± 5 °		APPROVED BY RNELSON DATE 01-18-2007	MATERIAL NO. SEE CHART	DOCUMENT NO. SD-76100-001	SHEET NO. 2 OF 4		
DRAFT WHERE APPLICABLE MUST REMAIN WITHIN DIMENSIONS		THIS DRAWING CONTAINS INFORMATION THAT IS PROPRIETARY TO MOLEX INCORPORATED AND SHOULD NOT BE USED WITHOUT WRITTEN PERMISSION							

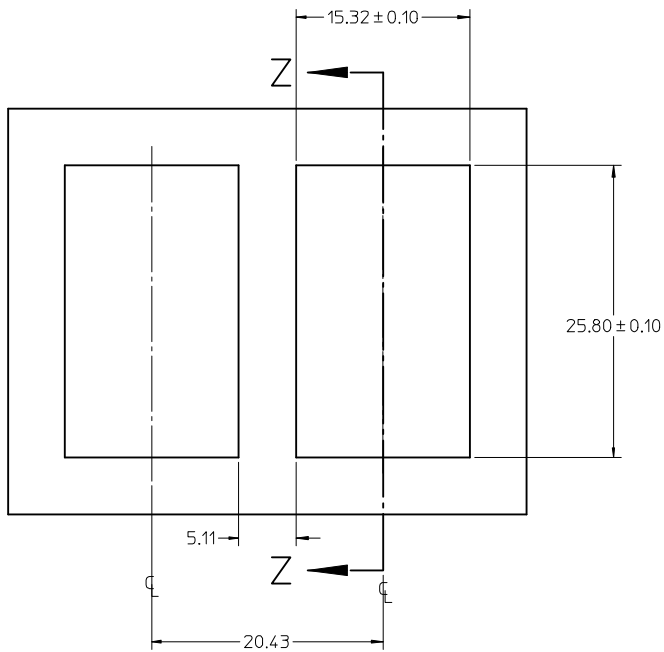


RECOMMENDED PCB LAYOUT - COMPONENT SIDE
 MINIMUM PCB THICKNESS OF 157mm
 THE ENTIRE AREA OF THE CONNECTOR FOOTPRINT
 TO BE CONSIDERED THE KEEP OUT AREA INDICATED
 BY THE DASHED LINE

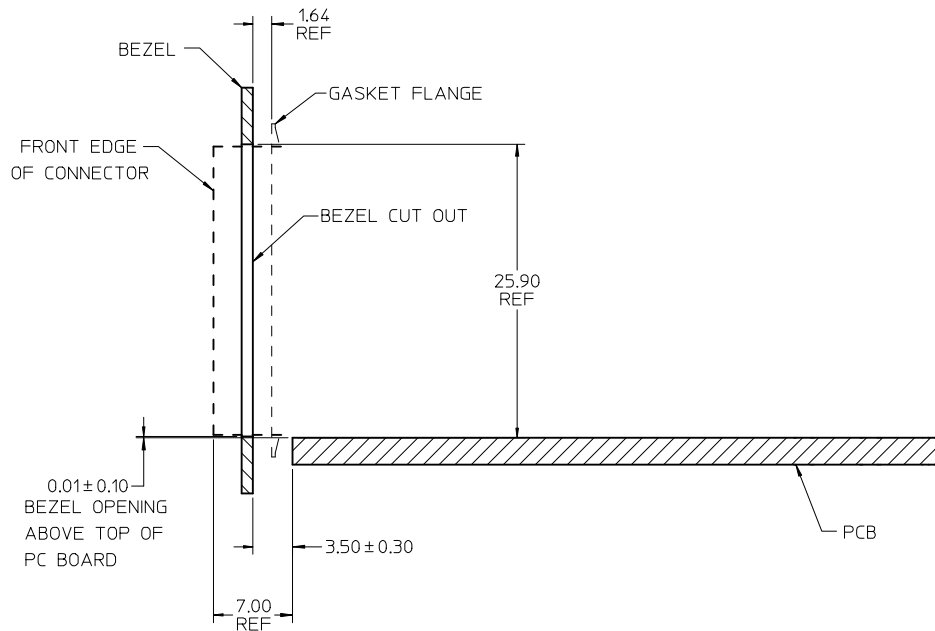


CONNECTOR PIN-OUT
 COMPONENT SIDE OF BOARD
 SCALE 10:1

SEE SHEET 1 EC NO: UCP2009-0761 DRWN: JLONG 2008/09/29 CHKD: 2008/09/29 APPR: MBANAKIS2008/09/30	QUALITY SYMBOLS ▽ - 0 ▽ - 0	GENERAL TOLERANCES (UNLESS SPECIFIED)		SCALE 3:1	DESIGN UNITS METRIC	THIRD ANGLE PROJECTION	REVISE ON CAD ONLY	
			mm	INCH	DIMENSION STYLE MM ONLY		TITLE	
		4 PLACES	± ---	± ---	DRAWN BY JJANTELEZ 01-18-2007		STACKED SFP+ 2X1 ASS'Y WITH ELASTOMERIC GASKET	
		3 PLACES	± ---	± ---	DATE 01-18-2007		MATERIAL NO. DOCUMENT NO. SHEET NO.	
			2 PLACES	± 0.13	± ---	MATERIAL NO. DOCUMENT NO. SHEET NO.		
			1 PLACE	± 0.25	± ---	MATERIAL NO. DOCUMENT NO. SHEET NO.		
			ANGULAR ± 5 °		MATERIAL NO. DOCUMENT NO. SHEET NO.			
			DRAFT WHERE APPLICABLE		MATERIAL NO. DOCUMENT NO. SHEET NO.			
			MUST REMAIN WITHIN DIMENSIONS		MATERIAL NO. DOCUMENT NO. SHEET NO.			
			THIS DRAWING CONTAINS INFORMATION THAT IS PROPRIETARY TO MOLEX INCORPORATED AND SHOULD NOT BE USED WITHOUT WRITTEN PERMISSION		MATERIAL NO. DOCUMENT NO. SHEET NO.			



BEZEL CUT-OUT CENTER SPACING DETAIL
BEZEL THICKNESS 0.8-2.6



SECTION Z-Z

SEE SHEET 1 EC NO: UCP2009-0761 DRWN: JLONG 2008/09/29 CHKD: 2008/09/29 APPR: MBANAKIS2008/09/30	REV	QUALITY SYMBOLS	GENERAL TOLERANCES (UNLESS SPECIFIED)		SCALE	DESIGN UNITS	THIRD ANGLE PROJECTION	REVISE ON CAD ONLY	
		D	▽ - 0	mm	INCH	3:1	METRIC	MM ONLY	STACKED SFP+ 2X1 ASS'Y WITH ELASTOMERIC GASKET
			∇ - 0	4 PLACES ± ---	± ---	DIMENSION STYLE			
			ANGULAR ± 5 °	3 PLACES ± ---	± ---	DATE		MATERIAL NO. SEE CHART	DOCUMENT NO. SD-76100-001
DRAFT WHERE APPLICABLE MUST REMAIN WITHIN DIMENSIONS			THIS DRAWING CONTAINS INFORMATION THAT IS PROPRIETARY TO MOLEX INCORPORATED AND SHOULD NOT BE USED WITHOUT WRITTEN PERMISSION						