

# Shoulder 好达

SHOULDER ELECTRONICS CO., LTD.

## CERAMIC FILTER Data Sheet

PRODUCT 产品: CERAMIC FILTER

MODEL NO 型号: LTM...W

PREPARED 编制: Fengyu

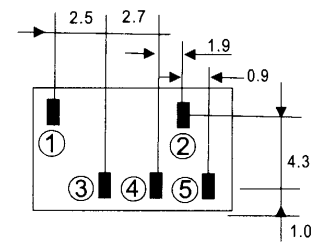
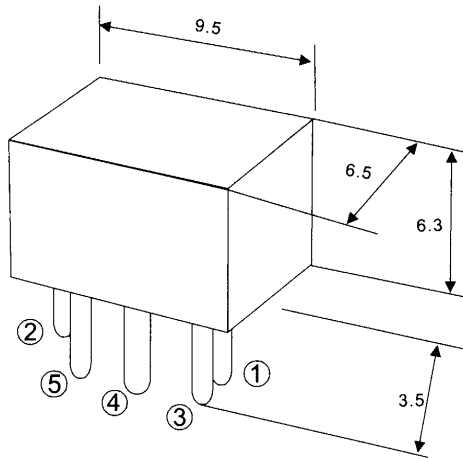
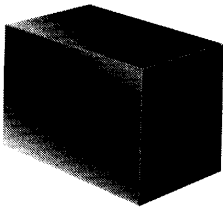
CHECKED 审核: York

APPROVED 批准:

DATE 日期: 2007-01-25

## LTM 455(450).W SERIES

| Part Number | Center Frequency (KHz) | Insertion Loss (dB) | PassBand Ripple (dB) max | 6dB Bandwidth (KHz) min | 50dB Bandwidth (KHz) min | Stop Band Att. $\pm 10$ KHz (dB) min | I/O Impedance ( $\Omega$ ) |
|-------------|------------------------|---------------------|--------------------------|-------------------------|--------------------------|--------------------------------------|----------------------------|
| LTM450BW    | 450 $\pm$ 2.0          | 4                   | 2                        | $\pm 15$                | $\pm 30$                 | 40                                   | 1500                       |
| LTM455BW    | 455 $\pm$ 2.0          | 4                   | 2                        | $\pm 15$                | $\pm 30$                 | 40                                   | 1500                       |
| LTM450CW    | 450 $\pm$ 2.0          | 4                   | 2                        | $\pm 12.5$              | $\pm 24$                 | 40                                   | 1500                       |
| LTM455CW    | 455 $\pm$ 2.0          | 4                   | 2                        | $\pm 12.5$              | $\pm 24$                 | 40                                   | 1500                       |
| LTM450DW    | 450 $\pm$ 1.5          | 4                   | 2                        | $\pm 10$                | $\pm 20$                 | 40                                   | 1500                       |
| LTM455DW    | 455 $\pm$ 1.5          | 4                   | 2                        | $\pm 10$                | $\pm 20$                 | 40                                   | 1500                       |
| LTM450EW    | 450 $\pm$ 1.5          | 6                   | 2                        | $\pm 7.5$               | $\pm 15$                 | 40                                   | 1500                       |
| LTM455EW    | 455 $\pm$ 1.5          | 6                   | 2                        | $\pm 7.5$               | $\pm 15$                 | 40                                   | 1500                       |
| LTM450FW    | 450 $\pm$ 1.5          | 6                   | 2                        | $\pm 6$                 | $\pm 12.5$               | 40                                   | 2000                       |
| LTM455FW    | 455 $\pm$ 1.5          | 6                   | 2                        | $\pm 6$                 | $\pm 12.5$               | 40                                   | 2000                       |
| LTM450GW    | 450 $\pm$ 1.5          | 6                   | 2                        | $\pm 4.5$               | $\pm 10$                 | 40                                   | 2000                       |
| LTM455GW    | 455 $\pm$ 1.5          | 6                   | 2                        | $\pm 4.5$               | $\pm 10$                 | 40                                   | 2000                       |
| LTM450HW    | 450 $\pm$ 1.0          | 6                   | 2                        | $\pm 3$                 | $\pm 9$                  | 40                                   | 2000                       |
| LTM455HW    | 455 $\pm$ 1.0          | 6                   | 2                        | $\pm 3$                 | $\pm 9$                  | 40                                   | 2000                       |
| LTM450IW    | 450 $\pm$ 1.0          | 6                   | 2                        | $\pm 2$                 | $\pm 7.5$                | 40                                   | 2000                       |
| LTM455IW    | 455 $\pm$ 1.0          | 6                   | 2                        | $\pm 2$                 | $\pm 7.5$                | 40                                   | 2000                       |
| LTM450HTW   | 450 $\pm$ 1.0          | 6                   | 2                        | $\pm 3$                 | $\pm 9$                  | 60                                   | 2000                       |
| LTM455HTW   | 455 $\pm$ 1.0          | 6                   | 2                        | $\pm 3$                 | $\pm 9$                  | 40                                   | 2000                       |



- ① Input
- ② Output
- ③ ④ ⑤ Ground (in mm)