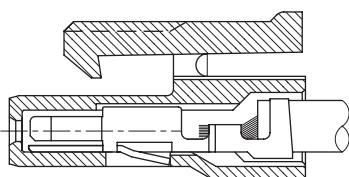
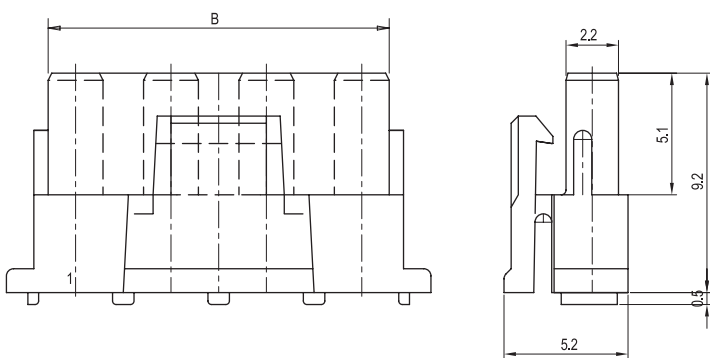
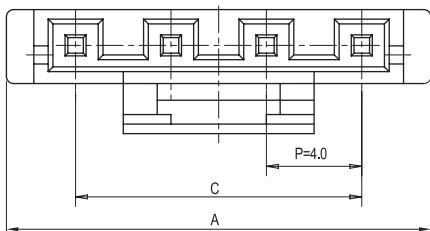
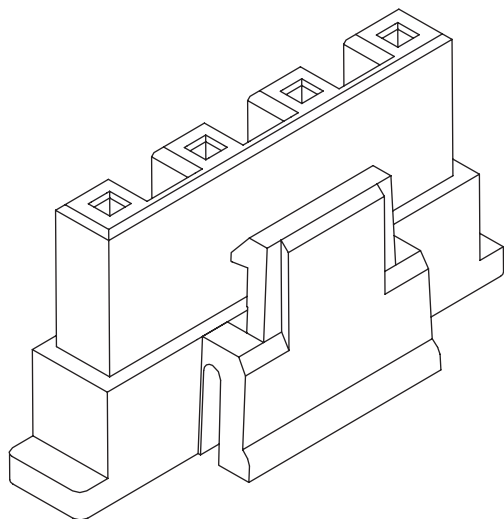


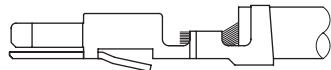
# 2.00mm (0.079") PITCH CONNECTOR

Wire-to-Board  
Housing

20015HS-NNL Series



TERMINAL ASSEMBLY DRAWING



AWG : #22 ~ #28

## Material

| I/NO | DESCRIPTION | TITLE       | MATERIAL           |
|------|-------------|-------------|--------------------|
| 1    | HOUSING     | 20015HS-NNL | PA66, UL 94V Grade |

## Available Pin

| PARTS NO.   | A    | B    | C    |
|-------------|------|------|------|
| 20015HS-02L | 9.8  | 6.3  | 4.0  |
| 20015HS-03L | 13.8 | 10.3 | 8.0  |
| 20015HS-04L | 17.8 | 14.3 | 12.0 |

## Specification

| ITEM                   | SPEC          |
|------------------------|---------------|
| Voltage Rating         | AC/DC 600V    |
| Current Rating         | AC/DC 1A      |
| Operating Temperature  | -25°C ~ +85°C |
| Contact Resistance     | 30mΩ MAX      |
| Withstanding Voltage   | AC1800V/1min  |
| Insulation Resistance  | 1000MΩ MIN    |
| Applicable Wire        | AWG #22~#28   |
| Applicable P.C.B       | -             |
| Applicable FPC/FFC     | -             |
| Solder Height          | -             |
| Crimp Tensile Strength | -             |
| UL FILE NO             | E108706       |

Application Terminal : 35001TS-L (179 page)