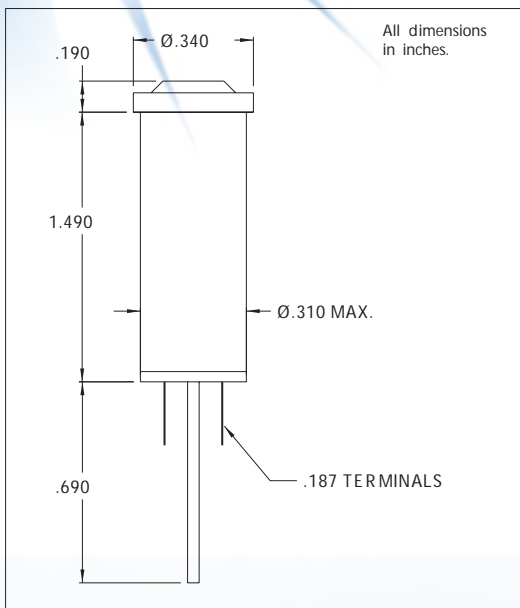


WORLDWIDE



**2110QA, 2111QA, 2112QA, 2113QA Series Non-Relampable Neon Indicator Lights**

**DESCRIPTION AND FEATURES**



Mounting: Ø.310 MIN., supplied with push-on speednut SN1287.

Terminals: Quick-connect, tinned brass, .187 x .020

Lens: Polycarbonate

Bezel: White nylon. For black finish add "X" after the series letter(s).

Housing: White Nylon

Lens Color	Incandescent	
	Model No. (105-125VAC)	Model No. (208-250VAC)
Red	2110QA1	2111QA1
Clear	2110QA2	2111QA2
Amber	2110QA3	2111QA3
White	2110QA4	2111QA4
Green	2112QA5*	2113QA5*
Lamp	C2A+R resistor	C2A+R resistor

\* Incorporates G2B lamp and resistor.  
Underwriters Laboratories (UL) File No. E20325  
Canadian Standards Association (CSA) File No. LR13346



America:  
CML Innovative Technologies, Inc.  
147 Central Avenue  
Hackensack, NJ 07601 -USA  
Tel: 1-201-489-8989  
Fax: 1-201-489-6911  
e-mail: americas@cml-it.com

Europe:  
CML Technologies GmbH & Co. KG  
Robert-Bunsen-Str. 1  
67098 Bad Dürkheim - GERMANY  
Tel: +49 (0)6322 9567-0  
Fax: +49 (0)6322 9567-88  
e-mail: europe@cml-it.com

Asia:  
CML Innovative Technologies, Inc.  
61 Aida Street  
Singapore 459975  
Tel: (65)9630-5003  
e-mail: asia@cml-it.com